



AURORA
LIGHTINGTOWERS

AURORA LIGHTING TOWERS
Brand of Green Power Systems srl
Loc. Maiano sn 61028
Sassocorvaro Auditore (PU)
Italia
MADE IN ITALY

P + 39 0722 726411
F + 39 0722 720092
W www.auroralightingtowers.it
E info@auroralightingtowers.it
W www.eptagruppo.com

SCHEDA TECNICA - TECHNICAL DATA SHEET - FICHE TECHNIQUE

ALPHA K2-L 4x160 - S



Multiled 4x160W



8,5 mt. Max Height



3300 mq. Lighting Area



Manual Lifting



70 h Autonomy



Low Emissions



350° Rotation



Slow Trailer

PRESTAZIONI – FEATURE – PERFORMANCE			
Fari	Floodlights	Projecteurs	4 x 160W Multiled
Area illuminata	Lighting area	Surface éclairée	3300 mq
Lumen	Lumen	Lumen	81400
Temperatura di funzionamento	Operating temperature	Température de fonctionnement	-25°/ 50° C
Centralina	Controller	Coffret	DEEP SEA 3210
ON/OFF per ogni faro	ON/OFF each floodlight	ON/OFF chaque lampe	STD
Prese extra	Extra sockets	Extra prise	1 x 16A CEE / 230 V
Tensione	Voltage	Voltage	230V
Frequenza	Frequency	Fréquence	50Hz
Rumorosità a 7 mt.	Sound level at 7 mt.	Niveau de bruit à 7 mt.	70 dB (A)

PALO – MAST – MÂT			
Altezza massima	Max height	Hauteur max	8,5 m
Sollevamento	Lifting	Levage	Manuale – Manual - Manuel
Sezioni del palo	Tower Section	Extensions	4
Rotazione	Turning angle	Rotation	350°
Resistenza massima al vento	Max wind rating	Résistance resistance au vent	100 Km/h

CONSUMI – CONSUMPTION – CONSOMMATION			
Capacità serbatoio	Fuel tank capacity	Capacité du réservoir	40 L
Autonomia con luci accese	Running time only lights	Autonomie avec lampes allumées	70 Hours

MOTORE – ENGINE – MOTEUR			
Modello	Model	Moteur modèle	Kohler 15LD350
Emissioni	Emissions	Émissions	STAGE V
Tipo di combustibile	Fuel type	Type de carburant	Diesel
Cilindrata	Displacement	Cylindrée	349 cc
Tipo di raffreddamento	Cooling type	Type de refroidissement	Aria – Air
N. cilindri	Cylinders	N. de cylindres	1
Regolazione	Regulation	Régulation	Meccanica – Mechanic - Mécanique
Regime	Speed	Vitesse	3000 rpm
Consumo	Consumption	Consommation	0,55 l/h

ALTERNATORE – ALTERNATOR – ALTERNATEUR			
Costruttore e modello	Make and model	Fabricant et modèle	Linz Electric – Alumen
Potenza	Rating power	Puissance	4,2 KVA
Classe di isolamento	Insulation class	Classe d'isolation	H
Grado di protezione	Protection level	Indice de protection	IP21
Precisione della tensione	Voltage accuracy	Précision de la tension	±5%

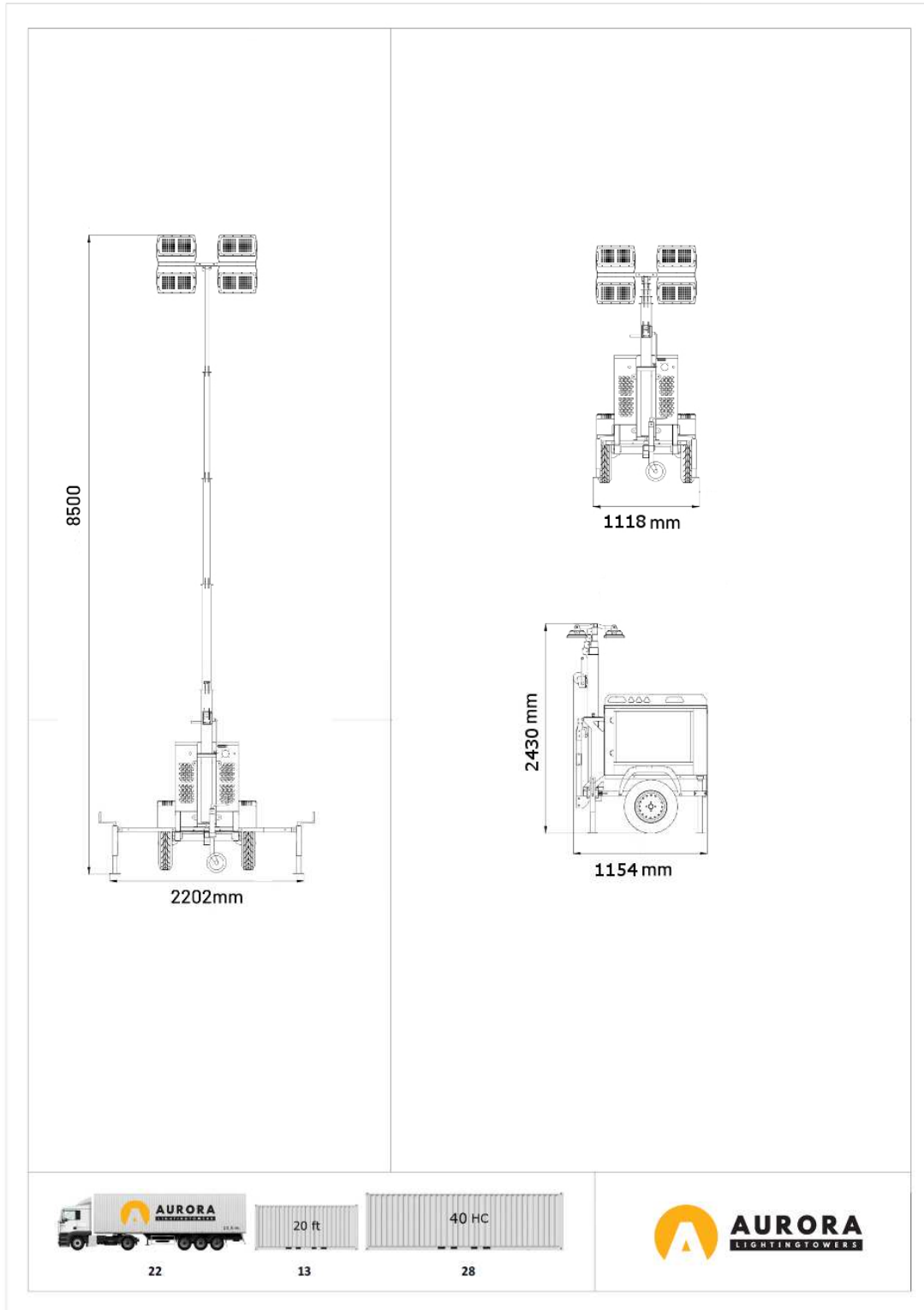
CARRELLO – TRAILER – CHARIOT			
Assale ammortizzato	Axle with suspension	Essieu à suspension	STD
Pneumatici	Tyres	Pneus	155 80 R13
Stabilizzatori manuali	Manual stabilizer	Stabilizateurs manuel	4 + 1 (Ruota)
Guide passaggio forche	Forklift pockets frame	Chassis avec passage des fourches	STD
Vasca raccolta liquidi motore e carburante	Bounded tank engine liquids and fuel	Bac de retention liquides moteur et carburant	STD



DIMENSIONI E PESO - DIMENSIONS AND WEIGHT - DIMENSIONS ET POIDS

Dimensioni torre chiusa	Retracted dimension	Dimensions de transport	1154x1118x2430 mm
Dimensioni torre aperta	Max dimension working mode	Dimensions ouvert	2030x2202x8500 mm
Peso a secco	Dry Weight	Poids a Sec	560 kg approx.

DISEGNI - DRAWS - DESSINS



- Le specifiche tecniche sono soggette a variazioni senza preavviso
- The technical specifications are exposed to alterations without notice
- Nous nous réservons le droit de changer les spécifications techniques sans préavis