



**AURORA**  
LIGHTING TOWERS

**AURORA LIGHTING TOWERS**  
Brand of Green Power Systems srl  
Loc. Maiano sn 61028  
Sassocorvaro Auditore (PU)  
Italia  
MADE IN ITALY

P + 39 0722 726411  
F + 39 0722 720092  
W [www.auroralightingtowers.it](http://www.auroralightingtowers.it)  
E [info@auroralightingtowers.it](mailto:info@auroralightingtowers.it)  
W [www.eptagruppo.com](http://www.eptagruppo.com)

SCHEDA TECNICA - TECHNICAL DATA SHEET - FICHE TECHNIQUE

# ALPHA K2-L 4x320 - F



**Multiled 4x320W**



**8,5 mt. Max Height**



**5000 mq. Lighting Area**



**Manual Lifting**



**70 h Autonomy**



**Low Emissions**



**350° Rotation**



*Carrello stradale omologato EU  
EU homologized road trailer  
Chariot homologué EU pour la route*

<b>PRESTAZIONI – FEATURE – PERFORMANCE</b>			
Fari	Floodlights	Projecteurs	<b>4 x 320W Multiled</b>
Area illuminata	Lighting area	Surface éclairée	<b>5000 mq</b>
Lumen	Lumen	Lumen	<b>166200</b>
Temperatura di funzionamento	Operating temperature	Température de fonctionnement	<b>-25°/ 50° C</b>
Centralina	Controller	Coffret	<b>DEEP SEA 3210</b>
ON/OFF per ogni faro	ON/OFF each floodlight	ON/OFF chaque lampe	<b>STD</b>
Prese extra	Extra sockets	Extra prise	<b>1 x 16A CEE / 230 V</b>
Tensione	Voltage	Voltage	<b>230V</b>
Frequenza	Frequency	Fréquence	<b>50Hz</b>
Rumorosità a 7 mt.	Sound level at 7 mt.	Niveau de bruit à 7 mt.	<b>70 dB (A)</b>

<b>PALO – MAST – MÂT</b>			
Altezza massima	Max height	Hauteur max	<b>8,5 m</b>
Sollevamento	Lifting	Levage	<b>Manuale – Manual - Manuel</b>
Sezioni del palo	Tower Section	Extensions	<b>4</b>
Rotazione	Turning angle	Rotation	<b>350°</b>
Resistenza massima al vento	Max wind rating	Résistance au vente	<b>100 Km/h</b>

<b>CONSUMI – CONSUMPTION – CONSOMMATION</b>			
Capacità serbatoio	Fuel tank capacity	Capacité du réservoir	<b>40 L</b>
Autonomia con luci accese	Running time only lights	Autonomie avec lampes allumées	<b>70 Hours</b>

<b>MOTORE – ENGINE – MOTEUR</b>			
Modello	Model	Moteur modèle	<b>Kohler 15LD350</b>
Emissioni	Emissions	Émissions	<b>STAGE V</b>
Tipo di combustibile	Fuel type	Type de carburant	<b>Diesel</b>
Cilindrata	Displacement	Cylindrée	<b>349 cc</b>
Tipo di raffreddamento	Cooling type	Type de refroidissement	<b>Aria – Air</b>
N. cilindri	Cylinders	N. de cylindres	<b>1</b>
Regolazione	Regulation	Régulation	<b>Meccanica – Mechanic - Mécanique</b>
Regime	Speed	Vitesse	<b>3000 rpm</b>
Consumo	Consumption	Consommation	<b>0,55 l/h</b>

<b>ALTERNATORE – ALTERNATOR – ALTERNATEUR</b>			
Costruttore e modello	Make and model	Fabricant et modèle	<b>Linz Electric – Alumen</b>
Potenza	Rating power	Puissance	<b>4,2 KVA</b>
Classe di isolamento	Insulation class	Classe d'isolation	<b>H</b>
Grado di protezione	Protection level	Indice de protection	<b>IP21</b>
Precisione della tensione	Voltage accuracy	Précision de la tension	<b>±5%</b>

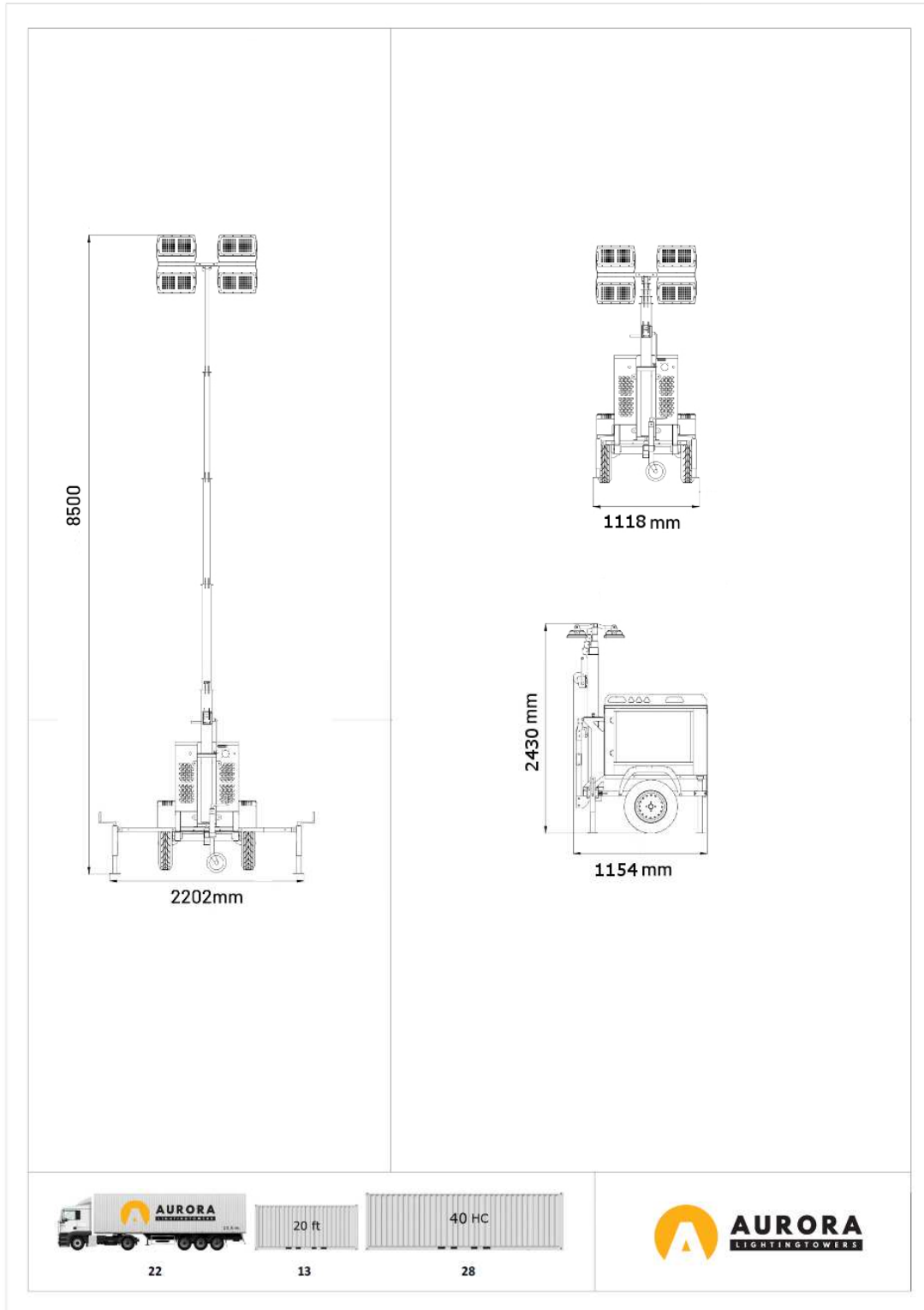
<b>CARRELLO – TRAILER – CHARIOT</b>			
Pneumatici	Tyres	Pneus	<b>185 70 R13</b>
Stabilizzatori manuali	Manual stabilizer	Stabilizateurs manuel	<b>4 + 1 (Ruota)</b>
Guide passaggio forche	Forklift pockets frame	Chassis avec passage des fources	<b>STD</b>
Vasca raccolta liquidi motore e carburante	Bounded tank engine liquids and fuel	Bac de retention liquides moteur et carburant	<b>STD</b>



**DIMENSIONI E PESO - DIMENSIONS AND WEIGHT - DIMENSIONS ET POIDS**

Dimensioni torre chiusa	Retracted dimension	Dimensions de transport	<b>2200x1505x2520 mm</b>
Dimensioni torre aperta	Max dimension working mode	Dimensions ouvert	<b>2200x2630x8500 mm</b>
Peso a secco	Dry Weight	Poids a Sec	<b>560 kg approx.</b>

**DISEGNI - DRAWS - DESSINS**



- Le specifiche tecniche sono soggette a variazioni senza preavviso
- The technical specifications are exposed to alterations without notice
- Nous nous réservons le droit de changer les spécifications techniques sans préavis