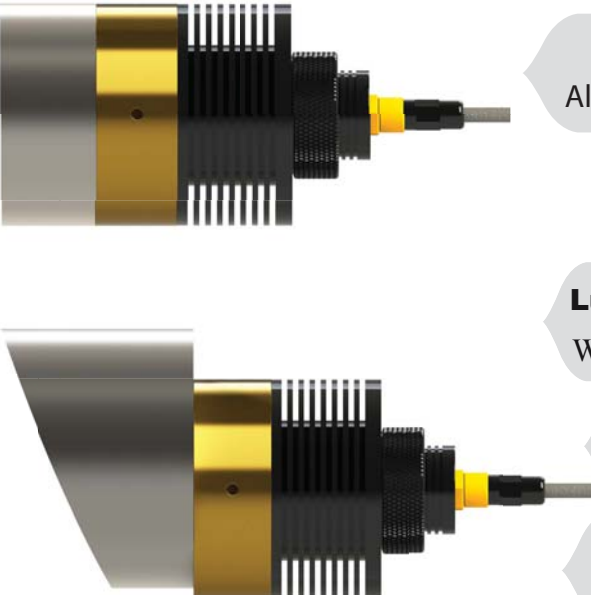













QtLED 75 RGB+W

- *The **QT-75 RGB+W LED** underwater light uses a four channel DMX driver for RGB+W colour change. This is the smallest and strongest weld-in LED fixture on the market with flush, 30, 50 degree and extended inserts for angle hull adjustment and external pressure tested to 100 bar.
- *Never feel trapped by this weld-in fixture the LED projector can be easily removed for servicing and upgrades without the hassle of hauling your boat.
- *With a 120 degree beam angle, the fixture provides a perfect spread of light.
- *The **QT-75 RGB+W LED** is recommended for Steel and Aluminium hull yachts up to 200m.
- *Distance between lights can vary 1.5-2.0(transom) and 2.5-5 meters (port & starboard)
- *With complete Lloyd's Register Approval, GL and ABS Design Appraisal on all components, the QT-75 has been installed on some of the largest and most prestigious Superyachts in the World.
- *The QT-75 is a completely customisable underwater lighting solution for larger yachts. We offer a bespoke design service tailored for each individual hull.



-  **Maintenance**
Inside the Hull
-  **Control Option**
DMX-Color change
On/ Off Switch
-  **Driver**
Remote
-  **Growth Resistant Lens**
Borosilicate Glass
-  **Power**
110-240vac
-  **Installation**
Weld in

- Hull Material** 
Aluminium / Steel
- Boat Size** 
Up to 200m +
- Lumens (All colours)** 
White 20,000 (Aprox)
- RGB+W Power** 
144 Watts
- Beam Angle** 
120 Degree





QT-75-RGB+W

Weld-in For **Aluminium & Steel** hulls

Mounting

Hull Material	Aluminium & Steel
Boat size	Up to 200m
Spacing	1.5-2.0m for transom. 2.5 to 5m for Port & Stbd.
Beam Angle	120°
Insert Angles	Flush+, 30, 50 and 50 degree extended

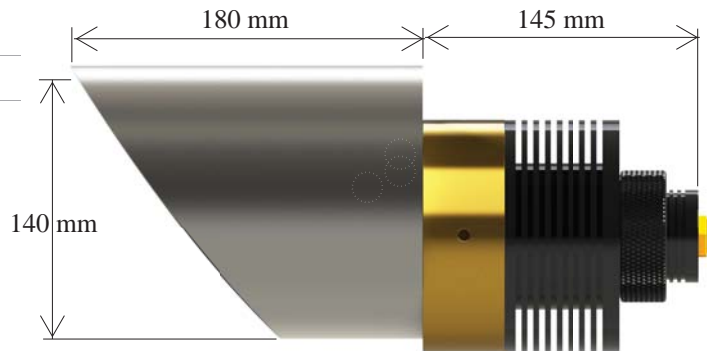
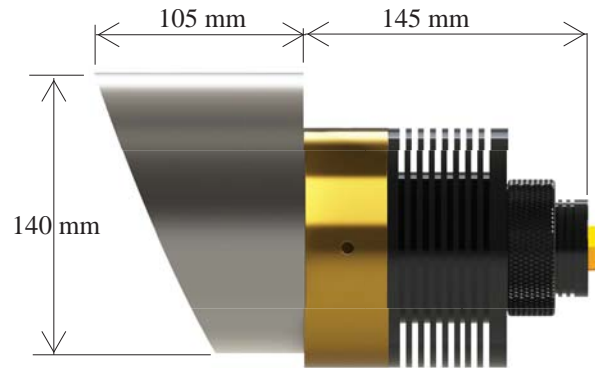
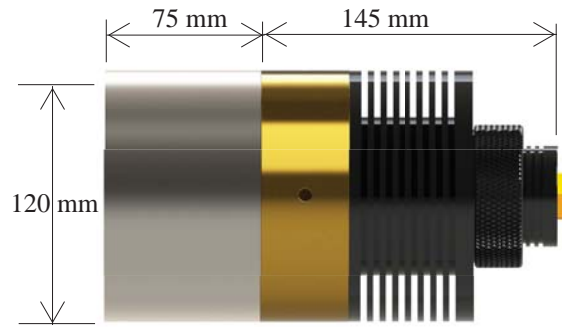
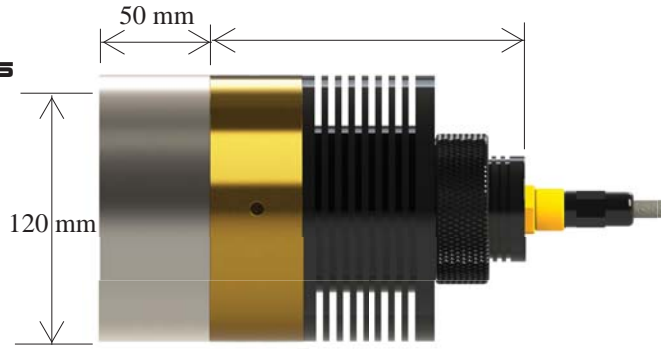
Technical

Maximum Power	144 watts
Kelvin	Not Applicable
Typical LED Life Expectancy	40,000 hrs
Min-Max Operating Voltage	110 - 240V AC
Current / Amp draw	1.3A - 0.6A
Driver Type	External
Driver Output	96vdc -4 channels @ 0.7A with auto power management

Control Options DMX

Physical

Length of fixtures	See drawings opposite
Diameter of fixture	120mm - 140mm 4.72" - 5.51"
Removal Space Required	100mm (4")
Total weight	SS: 10 -12kg (21 - 28lbs) ALU: 8.1-9.1kg (18lb - 20lb)
Driver Enclosure Dimensions (L x W x H)	9" x 4.9" x 3.5" (220 x 120 x 90mm)
Cable Lengths	3m (10ft), 6m (20ft) and specials
Material for weld -in With 3.2 test certificate	5083 Aluminium / 316L Stainless Steel
Growth Resistant Lens	Borosilicate Glass



INSERT PART NUMBERS				
Material	Flush	30 degree	50 degree	Extended
316L S.S.	QT-75-00300	QT-75-00330	QT-75-00350	QT-75-00350-EXT
5083 ALU	QT-75-00600	QT-75-00630	QT-75-00650	QT-75-00650-EXT