

Honda EM3100CX·EM4500CX·EM5500CX
EM4500CXS·EM5500CXS

OWNER'S MANUAL

MANUEL DE L'UTILISATEUR

BEDIENUNGSANLEITUNG

MANUAL DE EXPLICACIONES



ECOLOGY CONSCIOUS TECHNOLOGY

The "e-SPEC" mark symbolizes environmentally responsible technologies applied to Honda power equipment, which contains our wish to "preserve nature for generations to come."

Thank you for purchasing a Honda generator.

This manual covers operation and maintenance of the EM3100CX·EM4500CX·EM5500CX·EM4500CXS·EM5500CXS generators.

All information in this publication is based on the latest product information available at the time of approval for printing.

Honda Motor Co., Ltd. reserves the right to make changes at any time without notice and without incurring any obligation.

No part of this publication may be reproduced without written permission.

This manual should be considered a permanent part of the generator and should remain with it if it is resold.

Pay special attention to statements preceded by the following words:

▲WARNING Indicates a strong possibility of severe personal injury or death if instructions are not followed.

CAUTION: Indicates a possibility of personal injury or equipment damage if instructions are not followed.

NOTE: Gives helpful information.

If a problem should arise, or if you have any questions about the generator, consult an authorized Honda dealer.

▲WARNING

Honda generator is designed to give safe and dependable service if operated according to instructions. Read and understand the Owner's Manual before operating the generator. Failure to do so could result in personal injury or equipment damage.

- The illustration may vary according to the type.

CONTENTS

1. SAFETY INSTRUCTIONS	3
2. SAFETY LABEL LOCATIONS	7
CE mark and noise label locations.....	10
3. COMPONENT IDENTIFICATION.....	11
4. PRE-OPERATION CHECK.....	15
5. STARTING THE ENGINE.....	19
• High altitude operation	
6. GENERATOR USE	31
7. STOPPING THE ENGINE.....	37
8. MAINTENANCE.....	39
9. TRANSPORTING/STORAGE.....	46
10. TROUBLESHOOTING.....	48
11. SPECIFICATIONS.....	51
12. INSTALLATION OF KIT PARTS	57
13. WIRING DIAGRAM	64
14. MAJOR Honda DISTRIBUTOR ADDRESSES	70

1. SAFETY INSTRUCTIONS

IMPORTANT SAFETY INFORMATION

Honda generators are designed for use with electrical equipment that has suitable power requirements. Other uses can result in injury to the operator or damage to the generator and other property.

Most injuries or property damage can be prevented if you follow all instructions in this manual and on the generator. The most common hazards are discussed below, along with the best way to protect yourself and others.

Never attempt to modify the generator. It can cause an accident as well as damage to the generator and appliances.

- Do not connect an extension to the muffler.
- Do not modify the intake system.
- Do not adjust the governor.
- Do not remove the control panel or do not change the wiring of the control panel.

Operator Responsibility

Know how to stop the generator quickly in case of emergency.

Understand the use of all generator controls, output receptacles, and connections.

Be sure that anyone who operates the generator receives proper instruction. Do not let children operate the generator without parental supervision.

Be sure to observe the instructions in this manual for how to use the generator and maintenance information. Ignoring or improperly following the instructions can cause an accident such as an electric shock, and the condition of the exhaust gas may deteriorate.

Place the generator on a firm level place before operation.

Do not operate the generator with any cover removed. You may get your hand or foot caught in the generator and it may cause accident.

Consult your authorized Honda dealer for disassembly and service of the generator that are not covered in this manual.

Carbon Monoxide Hazards

Exhaust contains poisonous carbon monoxide, a colorless, odorless gas. Breathing exhaust can cause loss of consciousness and may lead to death.

If you run the generator in an area that is confined, or even partially enclosed area, the air you breathe could contain dangerous amount of exhaust gas.

Never run your generator inside a garage, house, or near open windows or doors.

Electric Shock Hazards

The generator produces enough electric power to cause a serious shock or electrocution if misused.

Using a generator or electrical appliance in wet conditions, such as rain or snow, or near a pool or sprinkler system, or when your hands are wet, could result in electrocution.

Keep the generator dry.

If the generator is stored outdoors, unprotected from the weather, check all of the electrical components on the control panel before each use. Moisture or ice can cause a malfunction or short circuit in electrical components that could result in electrocution.

If you get an electric shock, consult a doctor and have medical treatment immediately.

Do not connect to a building's electrical system unless an isolation switch has been installed by a qualified electrician.

Fire and Burn Hazards

Do not use the generator in areas with a high risk of fire.

When installed in ventilated rooms, additional requirements for fire and explosion protection shall be observed.

The exhaust system gets hot enough to ignite some materials.

- Keep the generator at least 1 meter (3 feet) away from buildings and other equipment during operation.
- Do not enclose the generator in any structure.
- Keep flammable materials away from the generator.

Some parts of the internal combustion engine are hot and may cause burns. Pay attention to the warnings on the generator.

The muffler becomes very hot during operation and remains hot for a while after stopping the engine. Be careful not to touch the muffler while it is hot. Let the engine cool before storing the generator indoors.

Do not pour the water directly on the generator to put out the fire when it occurs. Use an appropriate fire extinguisher specially designed for electric fire or oil fire.

If you inhale fumes produced by an accidental fire with the generator, consult a doctor and have medical treatment immediately.

Refuel With Care

Gasoline is extremely flammable, and gasoline vapor can explode. Allow the engine to cool if the generator has been in operation.

Refuel only outdoors in a well ventilated area with the engine OFF.

Do not overfill the fuel tank.

Never smoke near gasoline, and keep other flames and sparks away.

Always store gasoline in an approved container.

Make sure that any spilled fuel has been wiped up before starting the engine.

Disposal

To protect the environment, do not dispose of the used generator, battery, engine oil, etc. carelessly by leaving them in the waste. Observe the local laws or regulations or consult your authorized Honda generator dealer to dispose of these parts.

Please dispose of used motor oil in a manner that is compatible with the environment. We suggest you take it in a sealed container to your local service station for reclamation. Do not throw it in the trash or pour it on the ground.

An improperly disposed battery can hurt the environment. Always confirm local regulations for battery disposal. Contact your Honda servicing dealer for a replacement.

2. SAFETY LABEL LOCATIONS

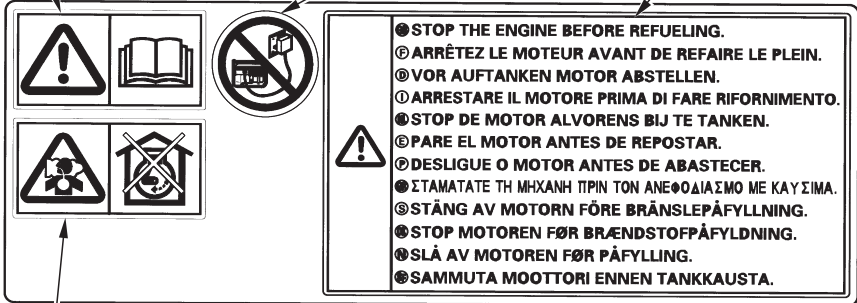
These labels warn you of potential hazards that can cause serious injury. Read the labels and safety notes and precautions described in this manual carefully.

If a label comes off or becomes hard to read, contact your Honda dealer for a replacement.

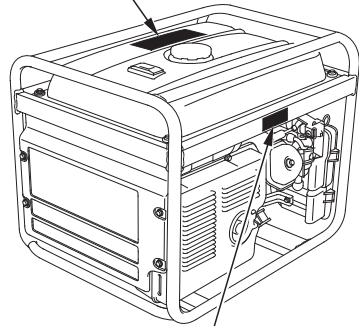
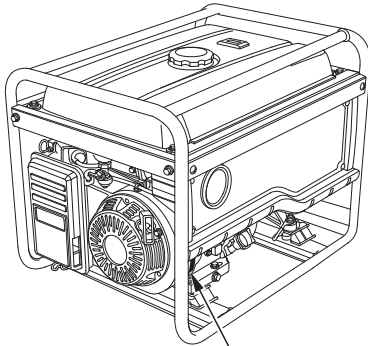
READ OWNER'S MANUAL

CONNECT CAUTION

FUEL CAUTION



EXHAUST CAUTION



HOT CAUTION



HOT CAUTION



- **Honda generator is designed to give safe and dependable service if operated according to instructions.**

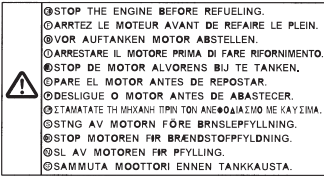
Read and understand the Owner's Manual before operating the generator. Failure to do so could result in personal injury or equipment damage.



- **Exhaust contains poisonous carbon monoxide, a colorless, odorless gas. Breathing carbon monoxide can cause loss of consciousness and may lead to death.**
- **If you run the generator in an area that is confined, or even partially enclosed area, the air you breathe could contain a dangerous amount of exhaust gas.**
- **Never run your generator inside a garage, house or near open windows or doors.**



- **Do not connect to a building's electrical system unless an isolation switch has been installed by a qualified electrician.**
- **Connections for standby power to a building's electrical system must be made by a qualified electrician and must comply with all applicable laws and electrical codes. Improper connections can allow electrical current from the generator to backfeed into the utility lines. Such backfeed may electrocute utility company workers or others who contact the lines during a power outage, and when utility power is restored, the generator may explode, burn, or cause fires in the building's electrical system.**



- **Stop the engine before refueling.**
- **Gasoline is extremely flammable and explosive under certain conditions. Refuel in a well ventilated area with the engine stopped.**
- **Keep away from cigarette, smoke and sparks when refueling the generator. Always refuel in a well ventilated location.**
- **Wipe up spilled gasoline at once.**



- **A hot exhaust system can cause serious burns. Avoid contact if the engine has been running.**

CE mark and noise label locations

NOISE LABEL AND CE MARK

NOISE LABEL

Rated power COP	5.0 kW	50 Hz	G1
Rated power factor	1.0	230 V	IP23M
Year of Mfg	* * * *	21.7A	Mass 98 kg

Performance class

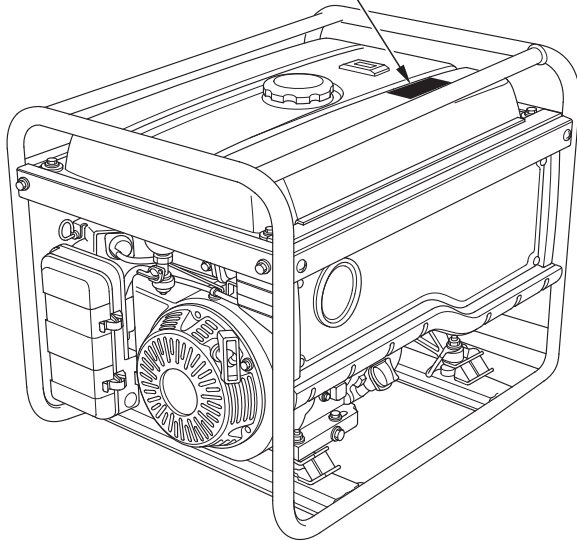
IP code

Dry mass

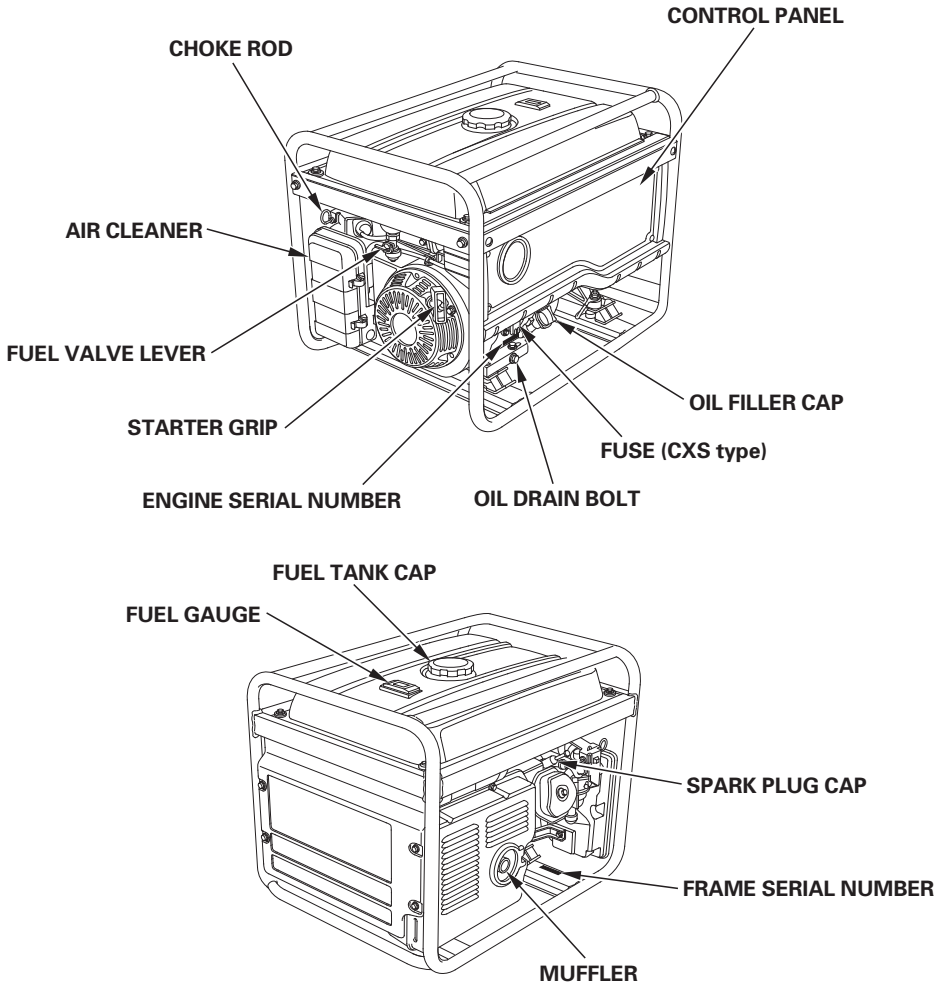
Year of manufacture

Manufacturer and address

[Example:EM5500CXS]



3. COMPONENT IDENTIFICATION

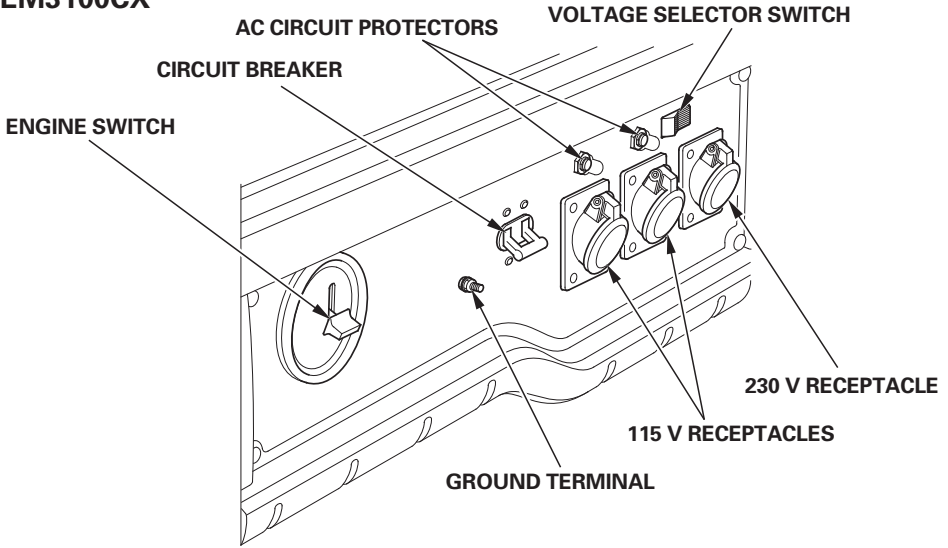


Record the frame serial number and the engine serial number in the spaces below. You will need these serial numbers when ordering parts.

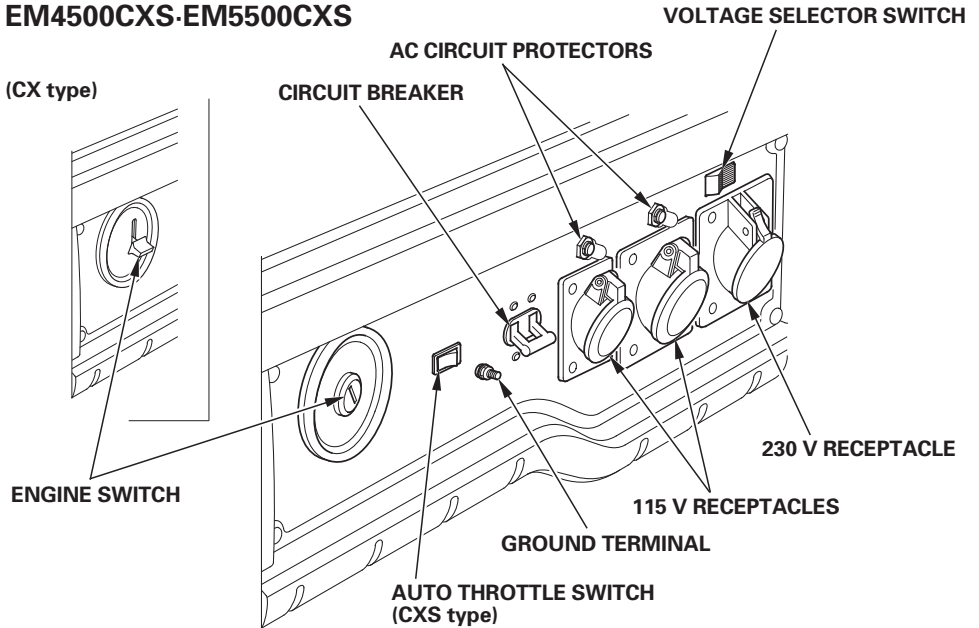
Frame serial number: _____

Engine serial number: _____

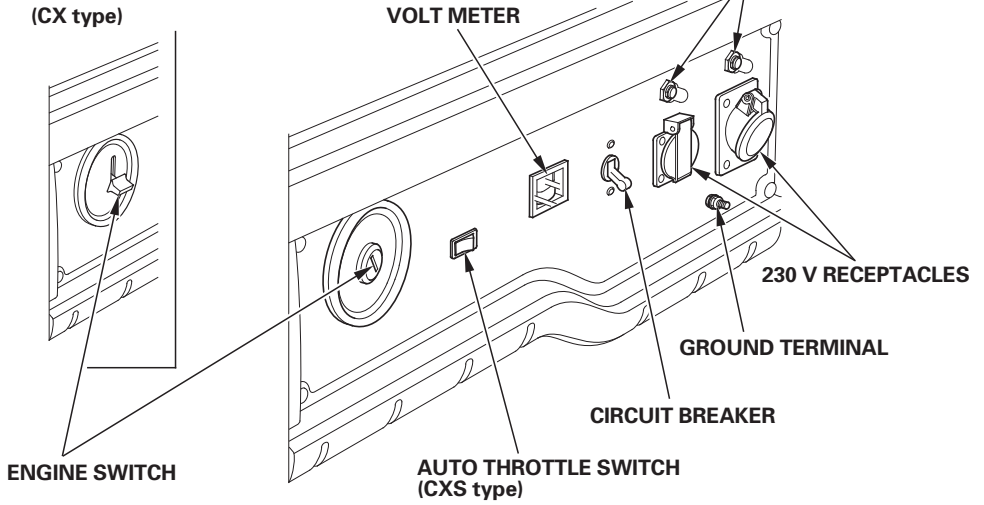
**CONTROL PANEL (B type)
EM3100CX**



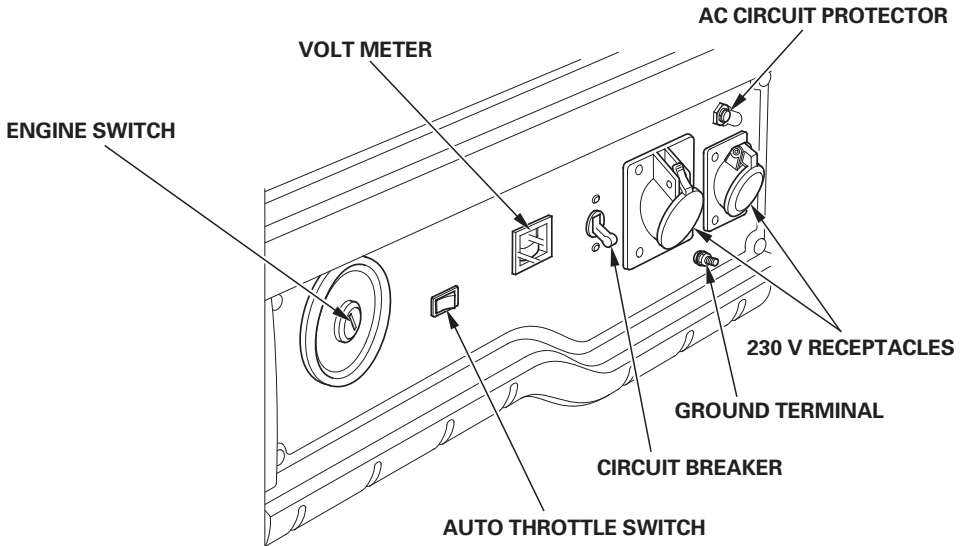
**EM4500CX·EM5500CX
EM4500CXS·EM5500CXS**



(F, G, GW types)
EM3100CX·EM4500CX·EM5500CX·
EM4500CXS·EM5500CXS



(IT type)
EM5500CXS



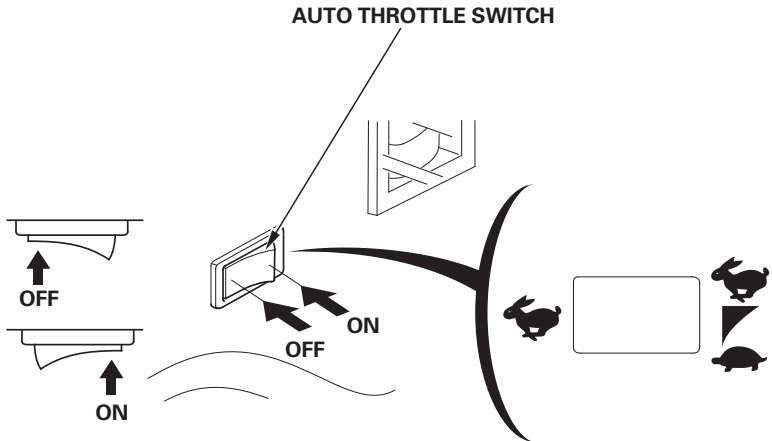
Auto Throttle System (CXS Type)

The Auto Throttle system automatically reduces engine speed when all loads are turned off or disconnected. When appliances are turned on or reconnected, the engine returns to the rated speed.

ON: Recommended to minimize fuel consumption and further reduce noise levels when no load is applied to the generator.

OFF: The Auto Throttle system does not operate. Recommended to minimize warm-up time when the generator is started.

Leave the switch in the OFF position when using appliances that require only momentary power, that have a power demand of less than 1 ampere, or that have large startup power demands.



4. PRE-OPERATION CHECK

CAUTION:

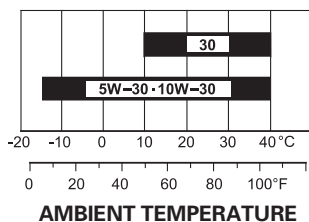
Be sure to check the generator on a level surface with the engine stopped.

1. Check the engine oil level before each use.

CAUTION:

Using non detergent oil or 2-stroke engine oil could shorten the engine's service life.

Use 4-stroke motor oil that meets or exceeds the requirements for API service category SE or later (or equivalent). Always check the API service label on the oil container to be sure it includes the letters SE or later (or equivalent).



SAE 10W-30 is recommended for general, all-temperature use. Other viscosities shown in the chart may be used when the average temperature in your area is within the indicated range.

1. Remove the oil filler cap and wipe the dipstick clean.
2. Check the oil level by inserting the dipstick in the filler hole without screwing it in.
3. If the oil level is low, fill to the upper limit of the oil filler neck with the recommended oil.

CAUTION:

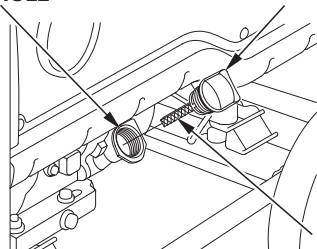
Running the engine with insufficient oil can cause serious engine damage.

NOTE:

The Oil Alert System will automatically stop the engine before the oil level falls below the safe limit. However, to avoid the inconvenience of an unexpected shutdown, it is still advisable to visually inspect the oil level regularly.

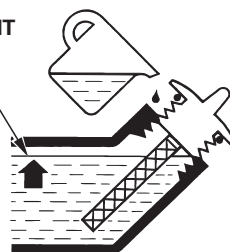
OIL FILLER HOLE

OIL FILLER CAP



DIPSTICK

UPPER LIMIT



2. Check the fuel level.

Check the fuel gauge. If the fuel level is low, refuel the fuel tank until the level as specified.

After refueling, tighten the fuel tank cap securely.

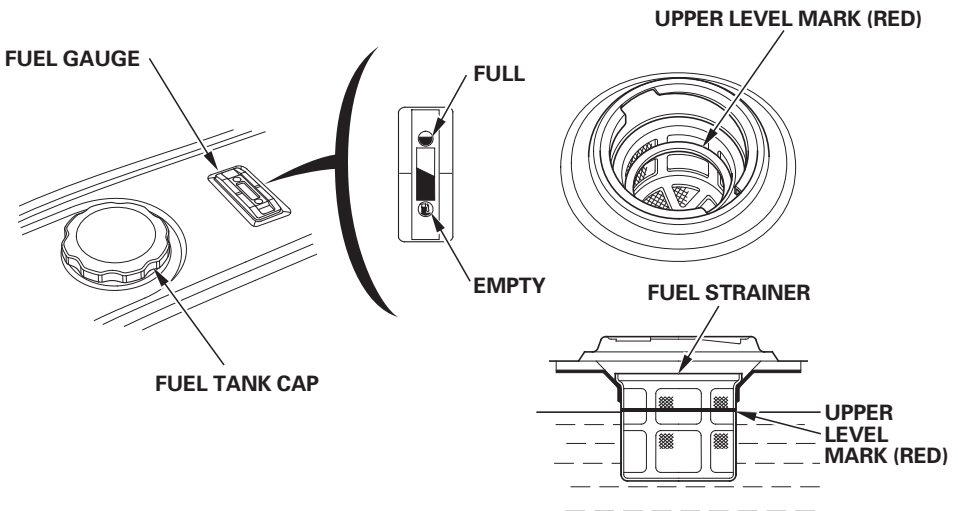
Use automotive unleaded gasoline with a Research Octane Number of 91 or higher (a Pump Octane Number of 86 or higher).

Never use stale or contaminated gasoline or an oil/gasoline mixture. Avoid getting dirt or water in the fuel tank.

▲WARNING

- Gasoline is extremely flammable and is explosive under certain conditions.
- Refuel in a well ventilated area with the engine stopped. Do not smoke or allow flames or sparks in the area where the engine is refueled or where gasoline is stored.
- Do not overfill the fuel tank (there should be no fuel above the upper level mark (red) on the fuel strainer). After refueling, make sure the fuel tank cap is closed properly and securely.
- Be careful not to spill fuel when refueling. Spilled fuel or fuel vapor may ignite. If any fuel is spilled, make sure the area is dry before starting the engine.
- Avoid repeated or prolonged contact with skin or breathing of vapor.

KEEP OUT OF REACH OF CHILDREN.



NOTE:

Gasoline spoils very quickly depending on factors such as light exposure, temperature and time.

In worst cases, gasoline can be contaminated within 30 days.

Using contaminated gasoline can seriously damage the engine (carburetor clogged, valve stuck).

Such damage due to spoiled fuel is disallowed from coverage by the warranty.

To avoid this please strictly follow these recommendations:

- Only use specified gasoline (see page 16).
- Use fresh and clean gasoline.
- To slow deterioration, keep gasoline in a certified fuel container.
- If long storage (more than 30 days) is foreseen, drain fuel tank and carburetor (see page 47).

Gasolines Containing Alcohol

If you decide to use a gasoline containing alcohol (gasohol), be sure its octane rating is at least as high as that recommended by Honda. There are two types of "gasohol": one containing ethanol, and the other containing methanol.

Do not use gasohol that contains more than 10% ethanol. Do not use gasoline containing methanol (methyl or wood alcohol) that does not also contain cosolvents and corrosion inhibitors for methanol. Never use gasoline containing more than 5% methanol, even if it has cosolvents and corrosion inhibitors.

NOTE:

- Fuel system damage or engine performance problems resulting from the use of fuels that contain alcohol is not covered under the warranty.

Honda cannot endorse the use of fuels containing methanol since evidence of their suitability is as yet incomplete.

- Before buying fuel from an unfamiliar station, try to find out if the fuel contains alcohol, if it does, confirm the type and percentage of alcohol used.

If you notice any undesirable operating symptoms while using a gasoline that contains alcohol, or one that you think contains alcohol, switch to a gasoline that you know does not contain alcohol.

3. Check the air cleaner.

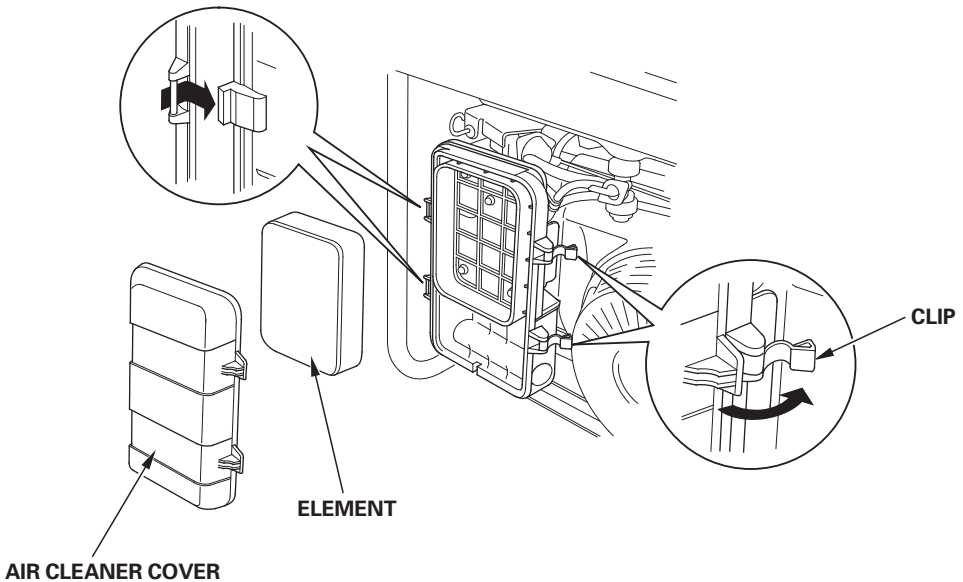
Check the air cleaner element to be sure it is clean and in good condition.

Unsnap the two air cleaner cover clips, remove the air cleaner cover, and remove the air cleaner element.

Clean or replace the element if necessary (see page 41).

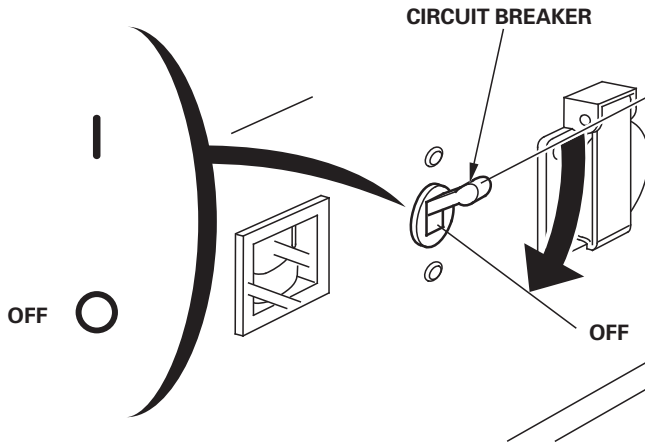
CAUTION:

Never run the engine without the air cleaner element. Rapid engine wear will result from contaminants, such as dust and dirt, being drawn through the carburetor, into the engine.



5. STARTING THE ENGINE

Make sure that the circuit breaker is OFF.
The generator may be hard to start if a load is connected.



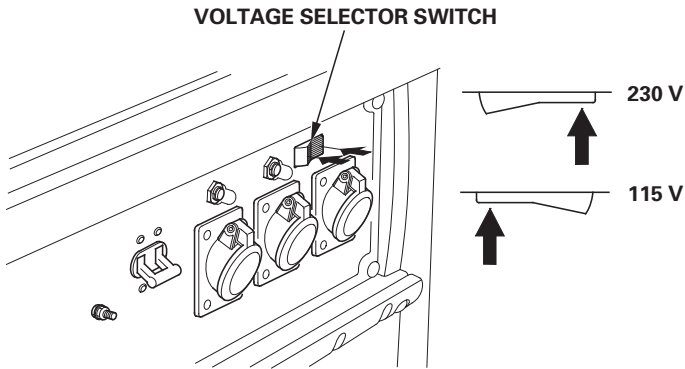
Electric starting (CXS type)

CAUTION:

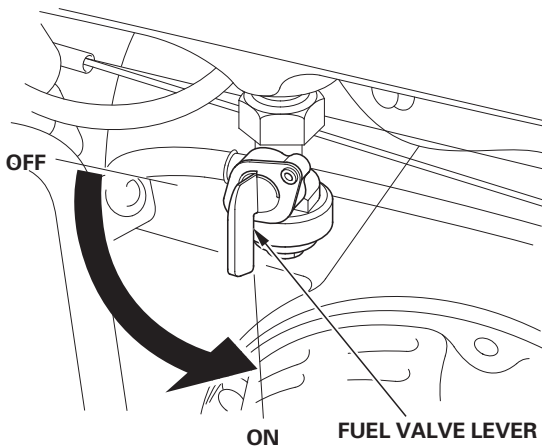
When starting the generator after adding fuel for the first time, after long-term storage, or after running out of fuel, turn the fuel valve lever to the ON position, then wait for 10 to 20 seconds before starting the engine.

1. B type:

Set the Voltage Selector Switch to match the voltage requirements for the application.

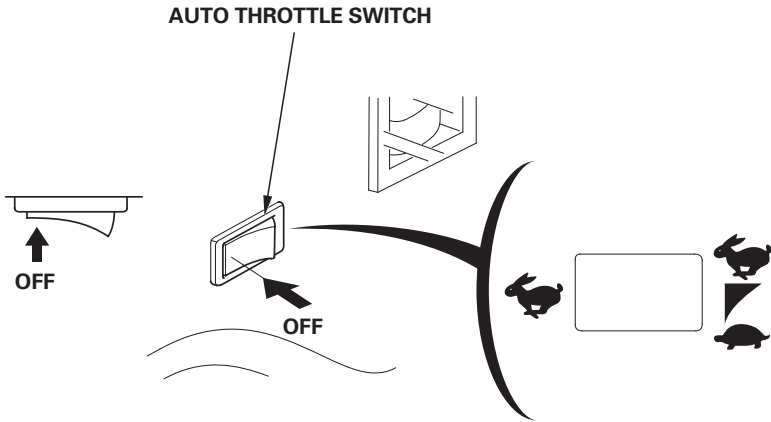


2. Turn the fuel valve lever to the ON position.

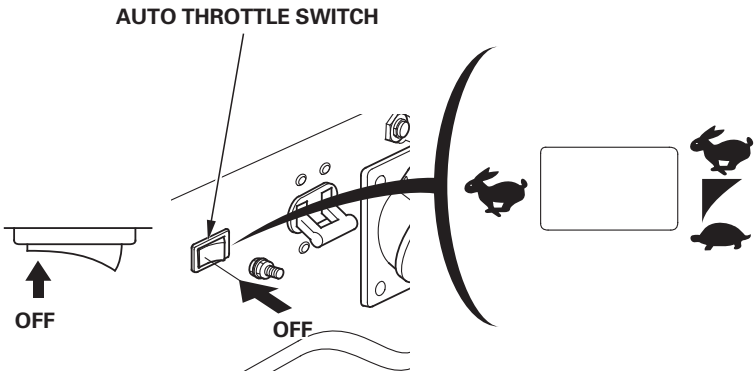


3. Make sure the auto throttle switch is in the OFF position, or more time will be required for warm up.

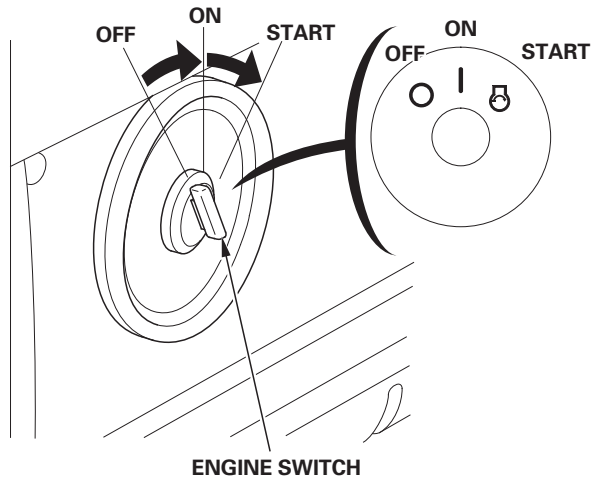
(F, G, GW, IT types)



(B type)



-
4. Turn the engine switch to the START position and hold it there for 5 seconds or until the engine starts.
After the engine starts, let the engine switch return to the ON position.

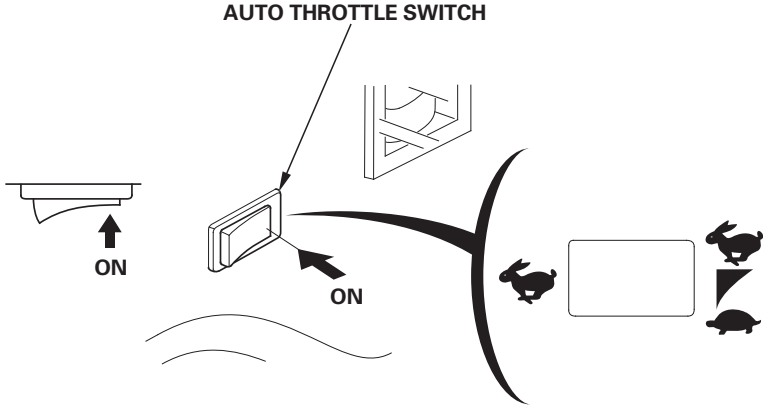


CAUTION:
Do not use the electric starter for more than 5 seconds at a time. If the engine fails to start, release the switch and wait 10 seconds before operating the starter again.

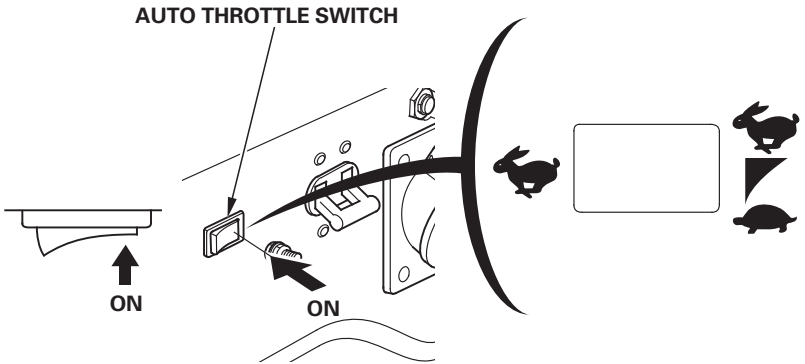
NOTE:
When the speed of the starter motor drops after a period of time, it is an indication that the battery should be recharged.

5. If you wish to use the auto throttle system, turn the auto throttle switch to the ON position after the engine has warmed up for 2 or 3 minutes.

(F, G, GW, IT types)



(B type)



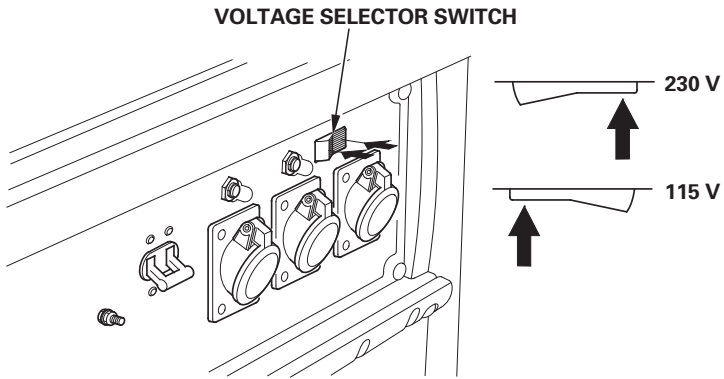
Manual starting

CAUTION:

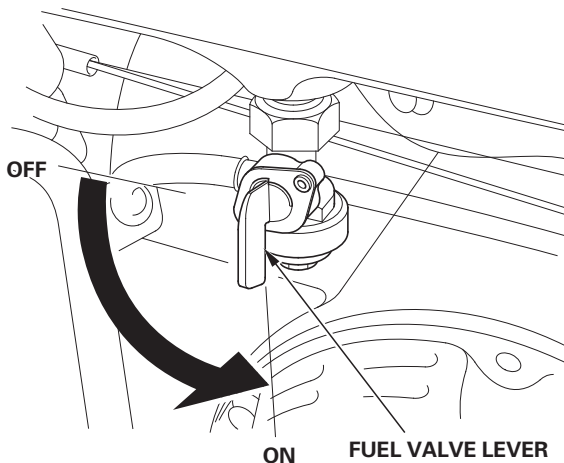
When starting the generator after adding fuel for the first time, after long-term storage, or after running out of fuel, turn the fuel valve lever to the ON position, then wait for 10 to 20 seconds before starting the engine.

1. B type:

Set the Voltage Selector Switch to match the voltage requirements for the application.



2. Turn the fuel valve lever to the ON position.

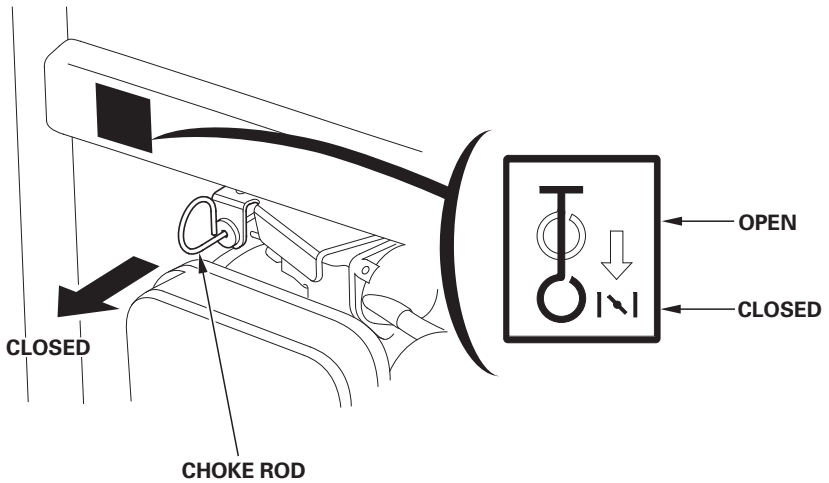


3. CX type:

Pull the choke rod to the CLOSED position to start a cold engine.
Push the choke rod in the OPEN position to start a warm engine.

CXS type:

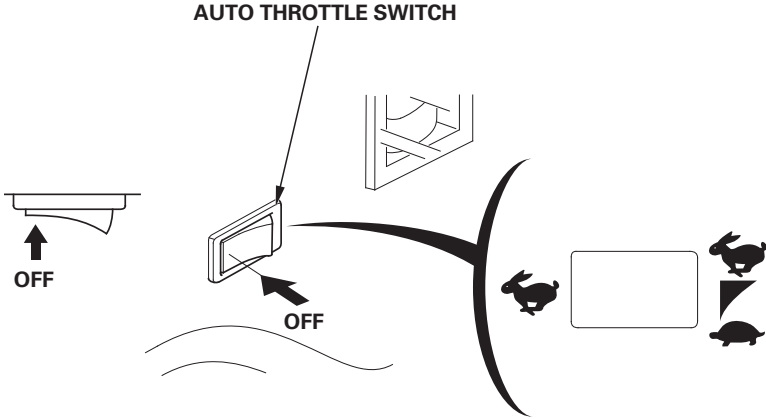
The auto choke will be closed if the engine is cold. If you want to operate the choke manually, pull the choke rod out to the CLOSED position.



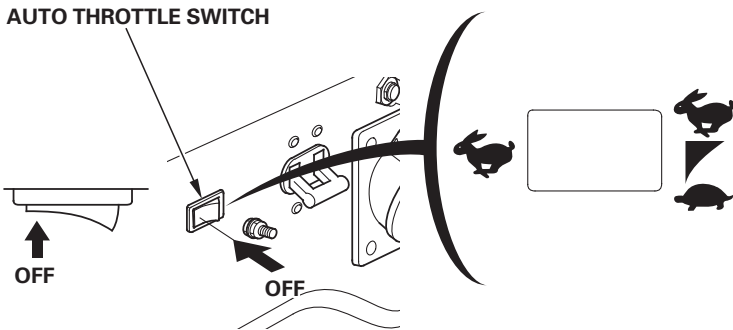
4. CXS type:

Make sure the auto throttle switch is in the OFF position, or more time will be required for warm up.

(F, G, GW, IT types)

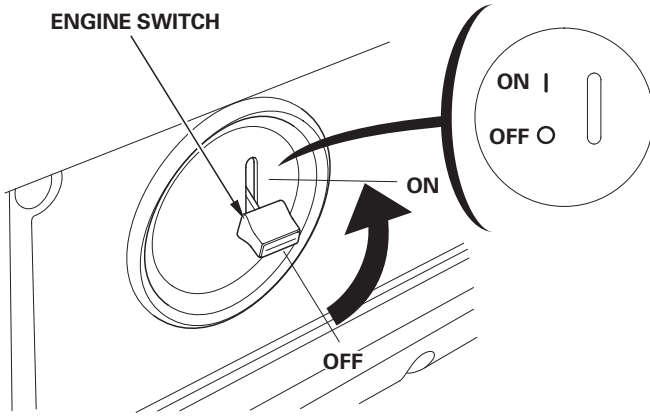


(B type)

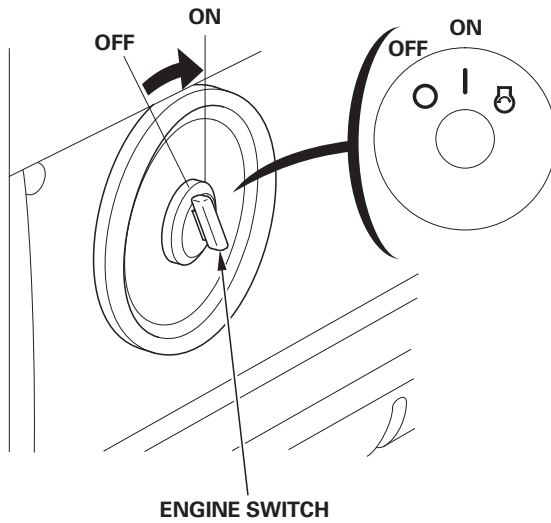


5. Turn the engine switch to the ON position.

(CX type)



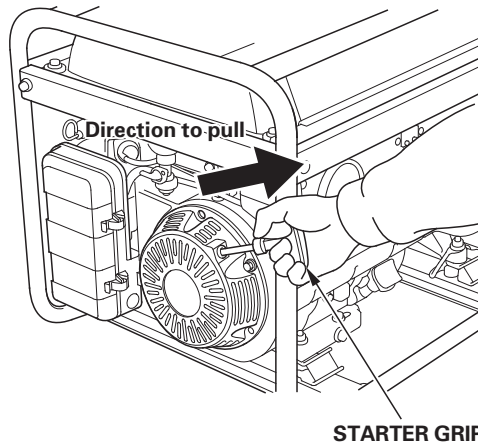
(CXS type)



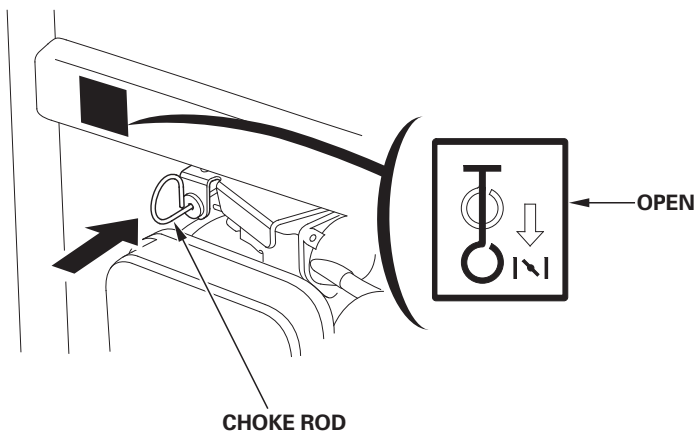
6. Pull the starter grip lightly until you feel resistance, then pull the starter grip briskly toward in the direction of the arrow as shown below.

CAUTION:

- The starter grip can be drawn back very quickly before you release it. This may pull your hand forcefully toward the engine and cause an injury.
- Do not allow the starter grip to snap back. Return it slowly by hand.
- Do not let the starter rope rub against the generator body, or the rope will wear out prematurely.



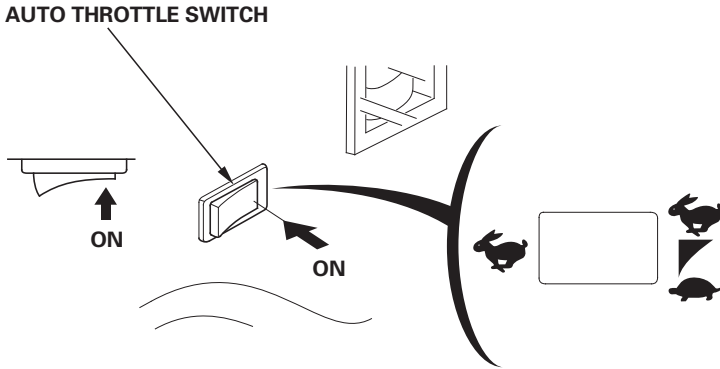
7. Push the choke rod to the OPEN position as the engine warms up.



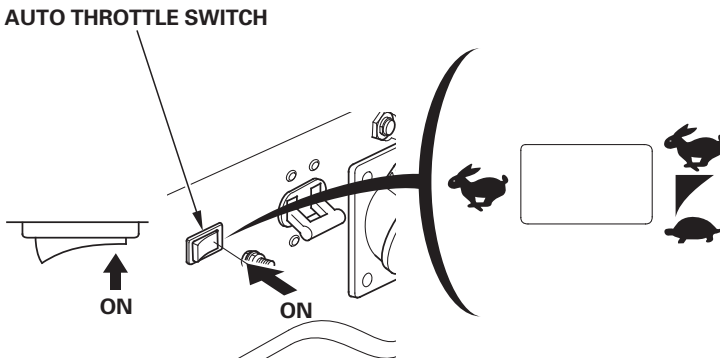
8. CXS type:

If you wish to use the auto throttle system, turn the auto throttle switch to the ON position after the engine has warmed up for 2 or 3 minutes.

(F, G, GW, IT types)



(B type)



- **High altitude operation**

At high altitude, the standard carburetor air-fuel mixture will be excessively rich. Performance will decrease, and fuel consumption will increase.

High altitude performance can be improved by specific modifications to the carburetor. If you always operate the generator at altitudes higher than 1,500 meters (5,000 feet) above sea level, have your authorized Honda dealer perform these carburetor modifications.

Even with suitable carburetor jetting, engine horsepower will decrease approximately 3.5% for each 300 meter (1,000 foot) increase in altitude. The affect of altitude on the horse power will be greater than this if no carburetor modification is made.

CAUTION:

Operation of the generator at an altitude lower than the carburetor is jetted for may result in reduced performance, overheating, and serious engine damage caused by an excessively lean air/fuel mixture.

6. GENERATOR USE

Be sure to ground the generator when the connected equipment is grounded.

▲WARNING

- Do not connect to a building's electrical system unless an isolation switch has been installed by a qualified electrician.
- Connections for standby power to a building's electrical system must be made by a qualified electrician and must comply with all applicable laws and electrical codes. Improper connections can allow electrical current from the generator to back feed into the utility lines. Such back feed may electrocute utility company workers or others who contact the lines during a power outage, and when utility power is restored, the generator may explode, burn, or cause fires in the building's electrical system.

CAUTION:

- Do not exceed the current limit specified for any one receptacle.
- Do not connect the generator to a household circuit. This could cause the damage to the generator or to electrical appliances in the house.
- Do not modify or use the generator for other purposes than it is intended for. Also observe the following when using the generator.
- Do not connect an extension to the exhaust pipe.
- When an extension cable is required, be sure to use a tough rubber sheathed flexible cable (IEC 245 or equivalent).
- Limit length of extension cables; 60 m (200 feet) for cables of 1.5 mm² (0.0023 in²) and 100 m (330 feet) for cables of 2.5 mm² (0.0039 in²). Long extension cables will lower usable power due to resistance in the extension cable.
- Keep the generator away from other electric cables or wires such as commercial power supply lines.

NOTE:

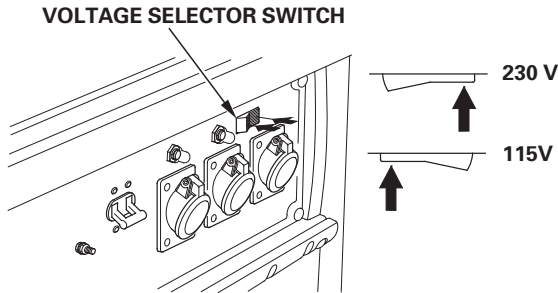
- Make sure the electrical rating of the tool or appliance does not exceed that of the generator. Never exceed the maximum power rating of the generator. Power levels between rated and maximum may be used for no more than 30 minutes.
- Substantial overloading will switch OFF the circuit breaker. Exceeding the time limit for maximum power operation or slightly overloading the generator may not switch the circuit breaker or DC circuit protector OFF, but will shorten the service life of the generator.
- Limit operation requiring maximum power to 30 minutes.
Maximum power is:
 - EM3100CX: 3.1 kVA
 - EM4500CX·4500CXS: 4.5 kVA
 - EM5500CX·5500CXS: 5.5 kVA
- For continuous operation, do not exceed the rated power.
Rated power is:
 - EM3100CX: 2.8 kVA
 - EM4500CX·4500CXS: 4.0 kVA
 - EM5500CX·5500CXS: 5.0 kVA
- In either case, the total power requirements (VA) of all appliances connected must be considered.
- Most appliance motors require more than their rated wattage for startup.

AC Applications

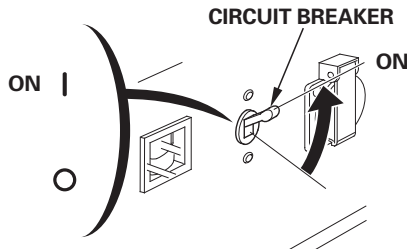
CAUTION:

Be sure that all appliances are in good working order before connecting them to the generator. Electrical equipment (including lines and plug connections) should not be defective. If an appliance begins to operate abnormally, becomes sluggish, or stops suddenly, turn off the generator engine switch immediately. Then disconnect the appliance, and examine it for signs of malfunction.

1. (B type only): Set the Voltage Selector Switch to match the voltage requirements for the appliance.



2. Start the engine (see page 19).
3. Switch the circuit breaker ON.



4. Confirm that the appliance to be used is switched off, and plug in the appliance.

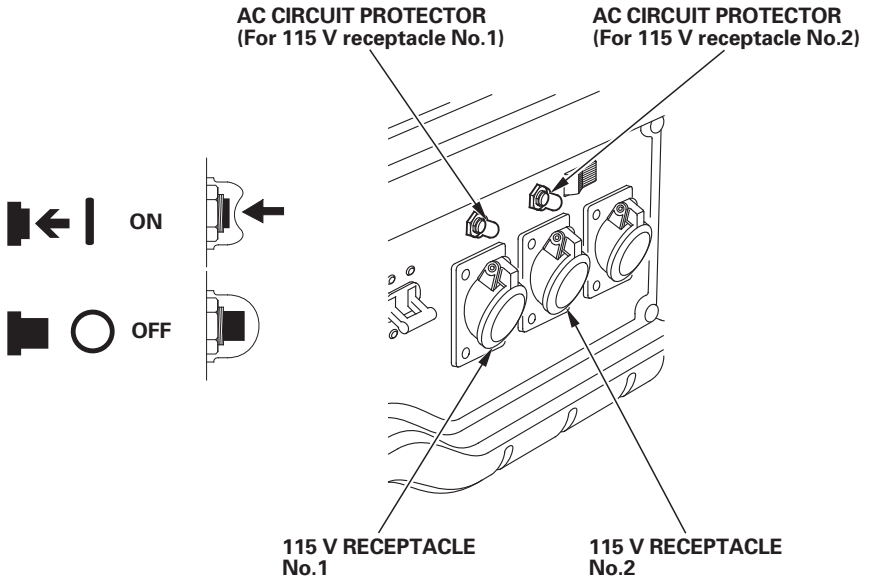
Most motorized appliances require more than their rated power for startup.

AC Circuit Protector (Except EM3100CX F, G types)

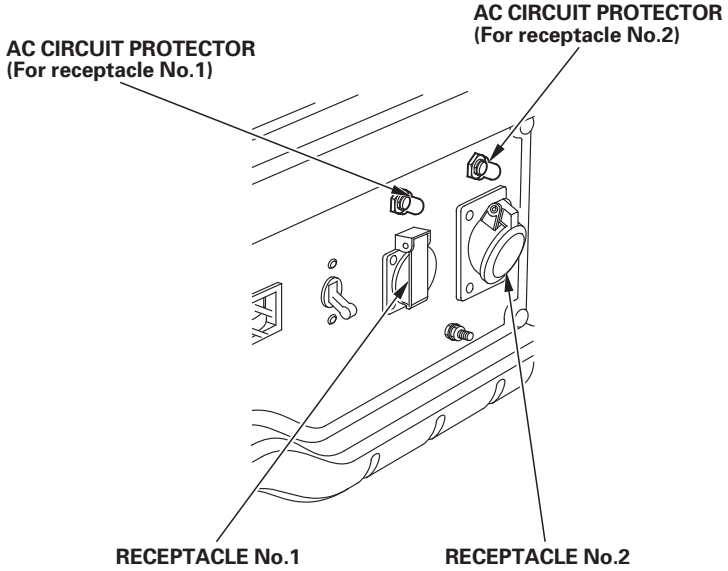
The AC circuit protectors will automatically switch OFF (push button comes out) if there is a short circuit or a significant overload of the generator at receptacle.

If an AC circuit protector switches OFF automatically, check that the appliance is working properly and does not exceed the rated load capacity of the circuit before resetting the AC circuit protector ON (pushing the push button in).

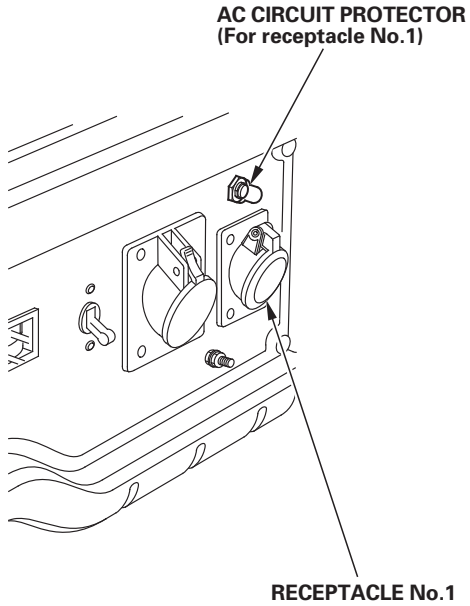
B type



**F, G, GW types
(Except EM3100CX)**



IT type



Oil Alert System

The Oil Alert system is designed to prevent engine damage caused by an insufficient amount of oil in the crankcase. Before the oil level in the crankcase falls below a safe limit, the Oil Alert system will automatically shut down the engine (the engine switch will remain in the ON position).

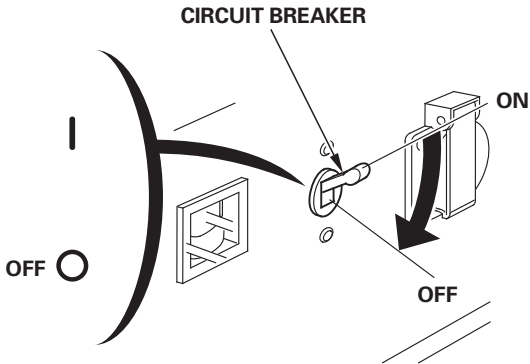
If the engine stops and will not restart, check the engine oil level (see page 15) before troubleshooting in other areas.

7. STOPPING THE ENGINE

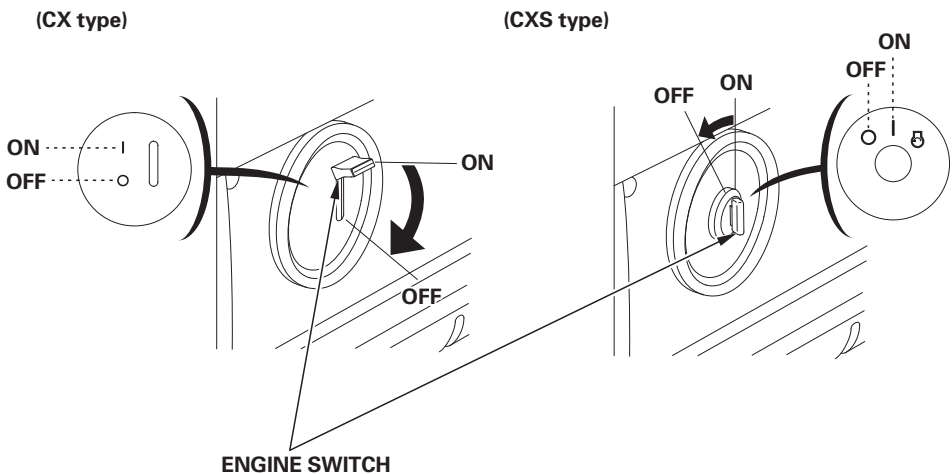
To stop the engine in an emergency, turn the engine switch to the OFF position.

IN NORMAL USE:

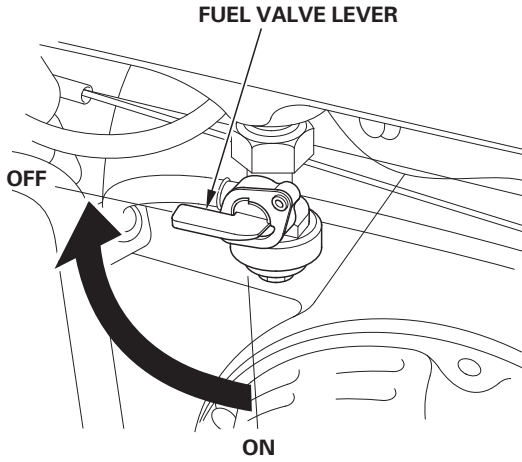
1. Turn the circuit breaker to the OFF position.



2. Turn the engine switch to the OFF position.



3. Turn the fuel valve lever to the OFF position.



8. MAINTENANCE

The purpose of the maintenance and adjustment schedule is to keep the generator in the best operating condition. Inspect or service as scheduled in the table below.

▲WARNING

Make sure the engine is off before you begin any maintenance or repairs. This will eliminate several potential hazards:

- Carbon monoxide poisoning from engine exhaust. Be sure there is adequate ventilation whenever you operate the engine.
- Burns from hot parts. Let the engine and exhaust system cool before touching.
- Injury from moving parts. Do not run the engine unless instructed to do so.

The muffler becomes very hot during operation and remains hot for a while after stopping the engine. Be careful not to touch the muffler while it is hot. Let the engine cool before maintenance.

CAUTION:

Use Honda Genuine parts or their equivalent. The use of replacement parts which are not of equivalent quality may damage the generator.

Maintenance Schedule

REGULAR SERVICE PERIOD (3) Performed at every indicated month or operating hour interval, whichever comes first.		Each use	First month or 20 Hrs.	Every 3 months or 50 Hrs.	Every 6 months or 100 Hrs.	Every year or 300 Hrs.
ITEM						
Engine oil	Check Level	○				
	Change		○		○	
Air cleaner	Check	○				
	Clean			○ (1)		
Sediment cup	Clean				○	
Spark plug	Check-adjust				○	
	Replace					○
Valve clearance	Check-adjust					○ (2)
Combustion chamber	Clean	After every 500 Hrs. (2)				
Fuel tank and filter	Clean				○ (2)	
Fuel tube	Check	Every 2 years (Replace if necessary) (2)				

(1) Service more frequently when used in dusty areas.

(2) These items should be serviced by your Honda servicing dealer, unless you have the proper tools and are mechanically proficient. Refer to the Honda shop manual for service procedures.

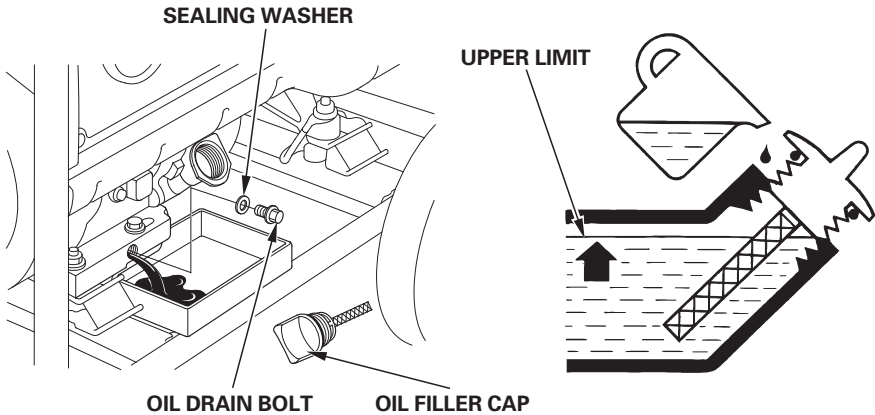
(3) For commercial use, log hours of operation to determine proper maintenance intervals.

1. CHANGING OIL

Drain the oil while the engine is still warm to assure rapid and complete draining.

1. Remove the oil drain bolt and sealing washer, remove the oil filler cap, and drain the oil.
2. Reinstall the drain bolt and sealing washer. Tighten the bolt securely.
3. Refill with the recommended oil (see page 15) and check the oil level.

Oil capacity: 1.1 L (1.2 US qt, 1.0 Imp qt)



Wash your hands with soap and water after handling used oil.

NOTE:

Please dispose of used motor oil in a manner that is compatible with the environment. We suggest you take it in a sealed container to your local service station for reclamation. Do not throw it in the trash or pour it on the ground.

2. AIR CLEANER SERVICE

A dirty air cleaner will restrict air flow to the carburetor. To prevent carburetor malfunction, service the air cleaner regularly. Service more frequently when operating the generator in extremely dusty areas.

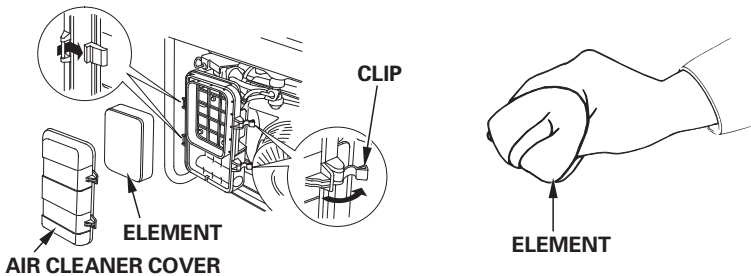
▲WARNING

Do not use gasoline or low flash point solvents for cleaning. They are flammable and explosive under certain conditions.

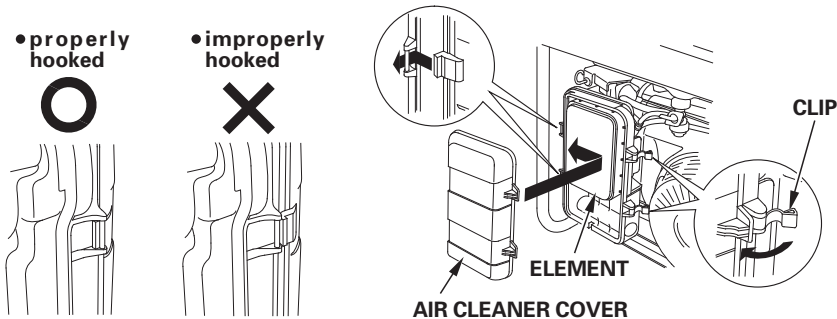
CAUTION:

Never run the engine without the air cleaner element. Rapid engine wear will result.

1. Unsnap the two air cleaner cover clips, remove the air cleaner cover, and remove the air cleaner element.



2. Wash the air cleaner element in a solution of household detergent and warm water, then rinse thoroughly, or wash in nonflammable or high flashpoint solvent. Allow the air cleaner element to dry thoroughly.
3. Soak the air cleaner element in clean engine oil and squeeze out the excess oil. The engine will smoke during initial startup if too much oil is left in the air cleaner element.
4. Reinstall the air cleaner element and the cover.



3. FUEL SEDIMENT CUP SERVICE

⚠WARNING

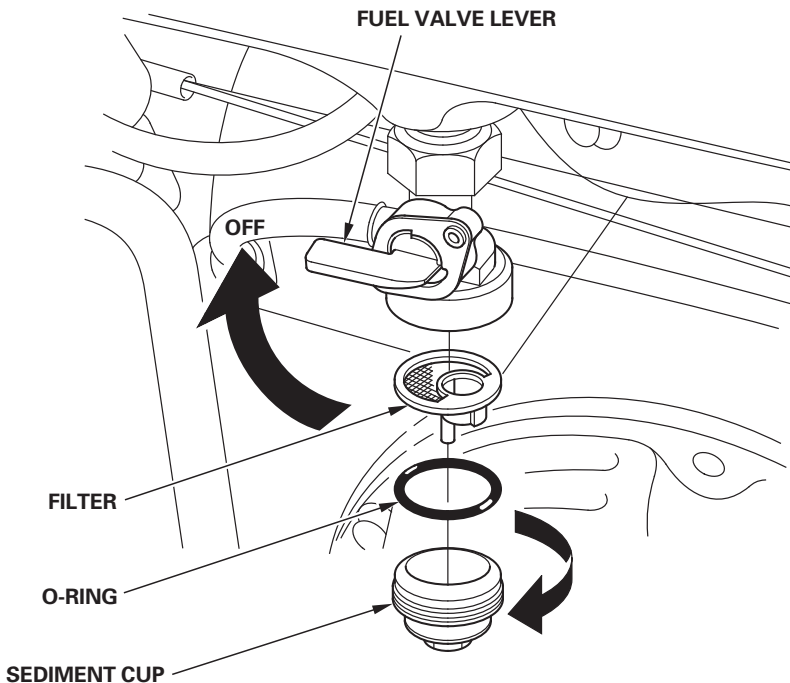
Gasoline is extremely flammable and is explosive under certain conditions. Do not smoke or allow flames or sparks in the area.

The sediment cup prevents dirt or water that may be in the fuel tank from entering the carburetor. If the engine has not been run for a long time, the sediment cup should be cleaned.

1. Turn the fuel valve lever to the OFF position. Remove the sediment cup, O-ring, and filter.
2. Clean the sediment cup and filter in nonflammable or high flash point solvent.
3. Reinstall the filter, O-ring, and sediment cup.
4. Turn the fuel valve lever to the ON position and check for leaks.

⚠WARNING

After installing the sediment cup, be sure to tighten it securely. Check for fuel leaks and make sure the area is dry before starting the engine.



4. SPARK PLUG SERVICE

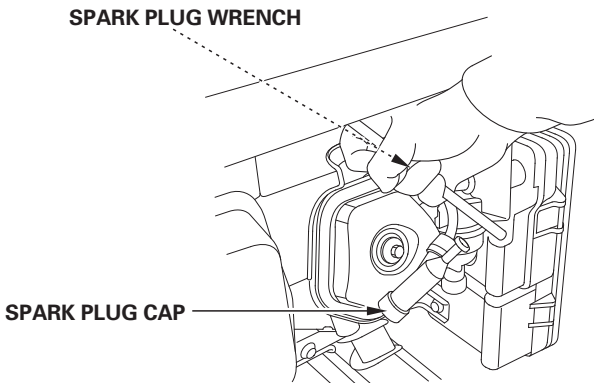
Recommended spark plugs: BPR5ES (NGK)
W16EPR-U (DENSO)

To ensure proper engine operation, the spark plug must be properly gapped and free of deposits.

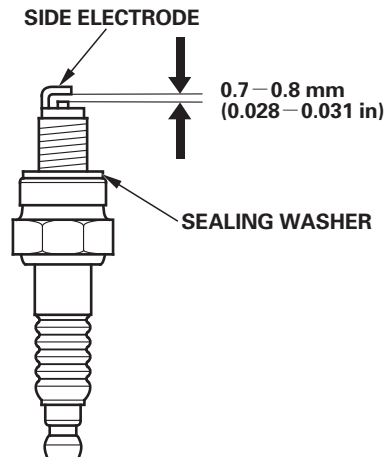
CAUTION:

If the engine has been running, the muffler will be very hot. Be careful not to touch the muffler.

1. Remove the spark plug cap.
2. Clean any dirt from around the spark plug base.
3. Use a spark plug wrench to remove the spark plug.



4. Visually inspect the spark plug. Discard it if the insulator is cracked, chipped, or fouled. Clean the spark plug with a wire brush if it is to be reused.
5. Measure the plug gap with a feeler gauge. Correct as necessary by carefully bending the side electrode. The gap should be:
0.7–0.8 mm (0.028–0.031 in)



-
6. Make sure that the sealing washer is in good condition, and thread the spark plug in by hand to prevent cross-threading.
 7. After the spark plug is seated, tighten with a spark plug wrench to compress the washer.

NOTE:

If installing a new spark plug, tighten 1/2 turn after the spark plug seats to compress the washer. If reinstalling a used spark plug, tighten 1/8 to 1/4 turn after the spark plug seats.

8. Reinstall the spark plug cap on the spark plug securely.

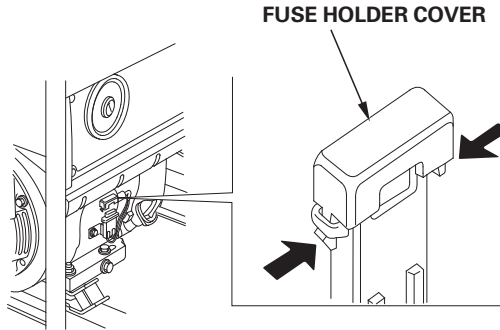
CAUTION:

- **The spark plug must be securely tightened. An improperly tightened plug can become very hot and possibly damage the generator.**
- **Never use a spark plug with an improper heat range.**

5. FUSE REPLACEMENT (CXS type)

If the fuse is blown, the starter motor will not work until it is replaced.

1. Turn the engine switch to the OFF position.
2. Remove the fuse holder cover and replace the fuse.
The specified fuse is 10A.



CAUTION:

- If frequent fuse failure occurs, determine the cause and correct the problem before attempting to operate the generator further.
- Never use a fuse with a different rating from that specified. Serious damage to the electrical system or fire may result.

9. TRANSPORTING/STORAGE

Transporting

To prevent fuel spillage when transporting or during temporary storage, the generator should be secured upright in its normal operating position, with the engine switch OFF.

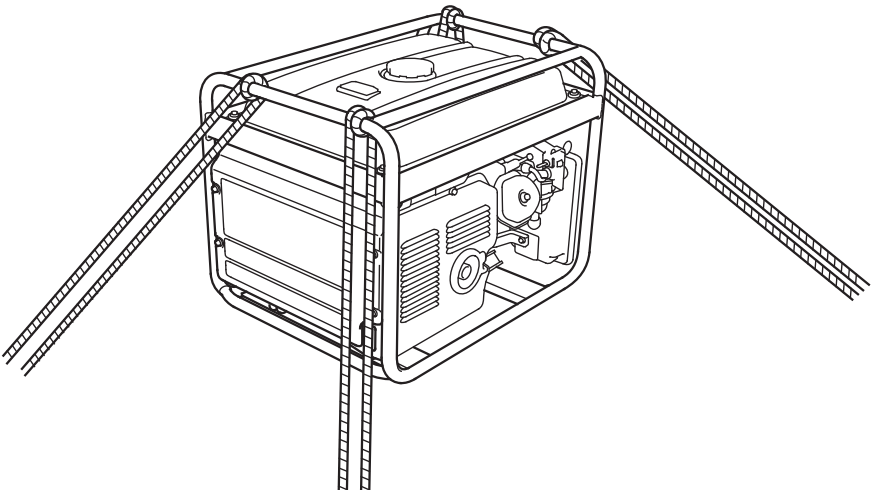
The fuel valve lever should be turned OFF.

▲WARNING

- **When transporting the generator:**
 - **Do not overfill the tank.**
 - **Do not operate the generator while it is on a vehicle. Take the generator off the vehicle and use it in a well ventilated place.**
 - **Avoid a place exposed to direct sunlight when putting the generator on a vehicle. If the generator is left in an enclosed vehicle for many hours, high temperature inside the vehicle could cause fuel to vaporize resulting in a possible explosion.**
 - **Do not drive on a rough road for an extended period with the generator on board. If you must transport the generator on a rough road, drain the fuel from the generator beforehand.**

Take care not to drop or strike the generator when transporting. Do not place heavy object on the generator.

When transporting the generator by loading it on to a vehicle, secure to the generator frame as shown.

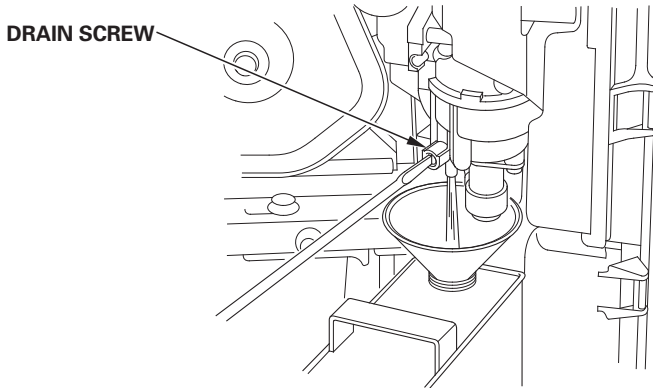


Storage

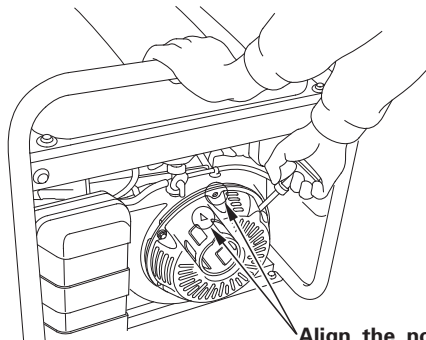
1. Drain the carburetor by loosening the drain screw. Drain the gasoline into a suitable container.

▲WARNING

Gasoline is extremely flammable and is explosive under certain conditions. Perform this task in a well ventilated area with the engine stopped. Do not smoke or allow flames or sparks in the area during this procedure.



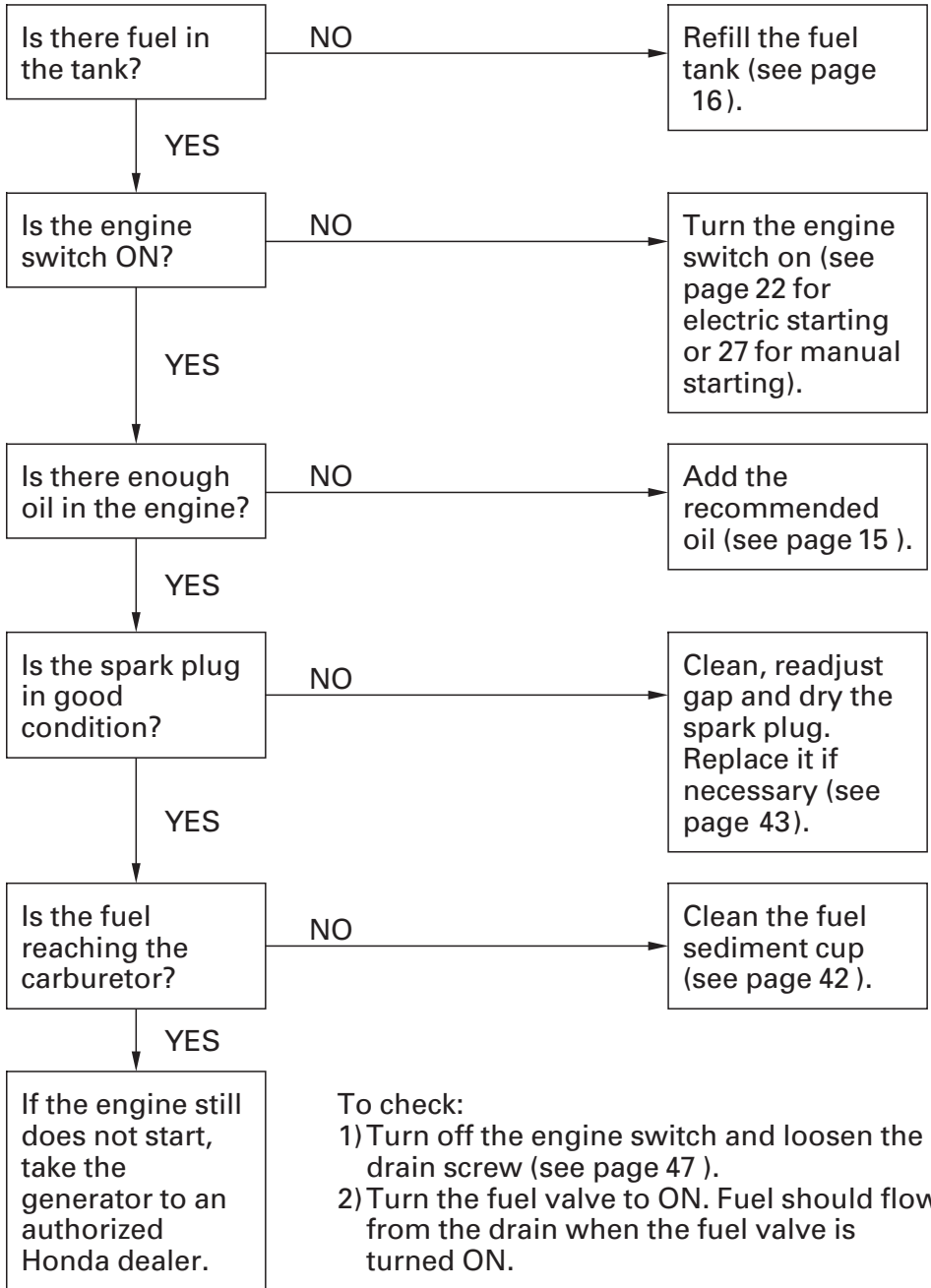
2. Change the engine oil (refer to page 40).
3. Remove the spark plug, and pour about a tablespoon of clean engine oil into the cylinder. Turn the engine several revolutions slowly with the recoil starter to distribute the oil, then reinstall the spark plug.
4. Slowly pull the starter grip until resistance is felt. At this point, the piston is coming up on its compression stroke and both the intake and exhaust valves are closed. Storing the engine in this position will help to protect it from internal corrosion.



Align the notch on the starter pulley with the hole at the top of recoil starter.

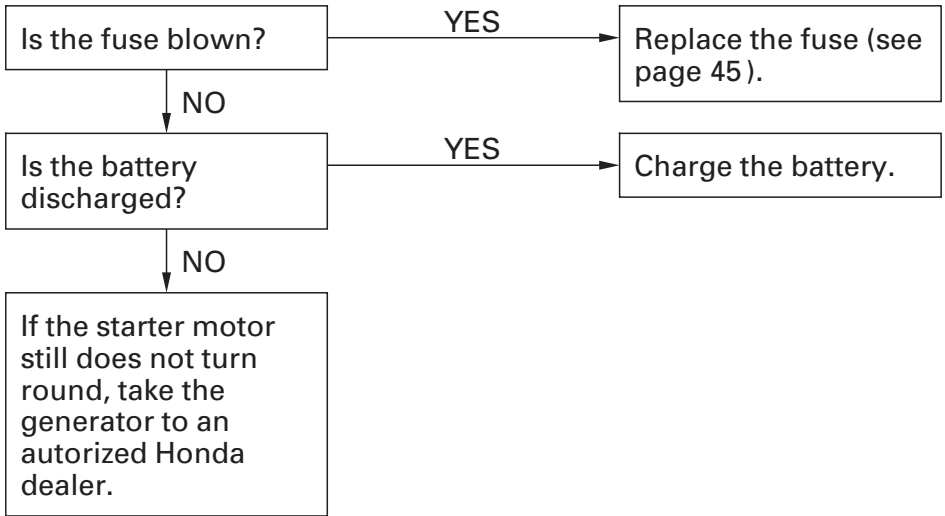
10. TROUBLESHOOTING

When the engine will not start:

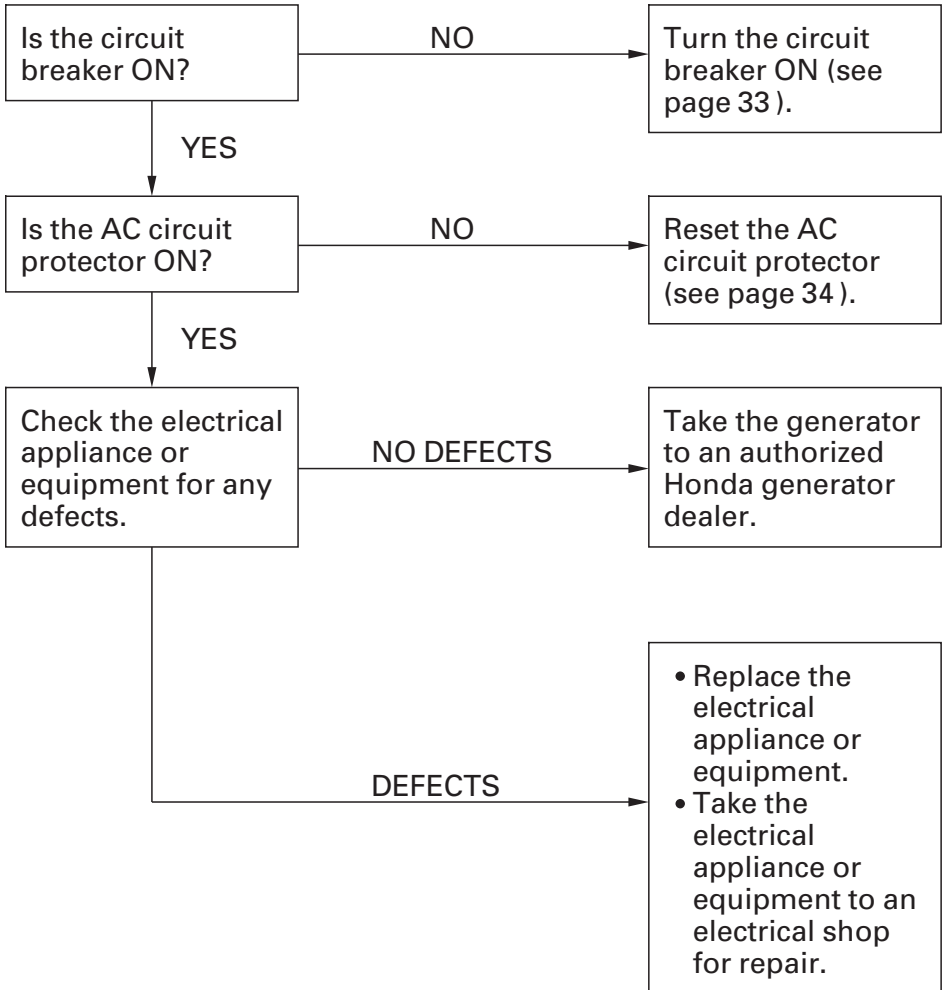


[CXS Type]

Starter motor does not turn round;



No electricity at the AC receptacles:



11. SPECIFICATIONS

Dimensions and Weight

Model	EM3100CX
Description code	EARC
Length	681 mm (26.8 in)
Width	530 mm (20.9 in)
Height	546 mm (21.5 in)
Dry mass (weight)	74.5 kg (164.2 lbs)

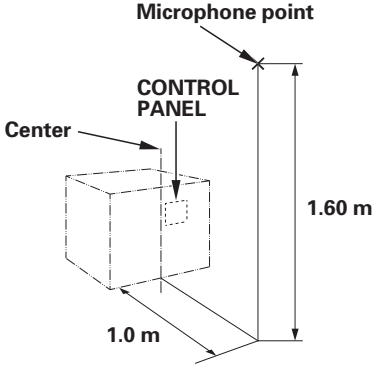
Engine

Model	GX240
Engine type	4-stroke, overhead valve, single cylinder
Displacement	242 cm ³ (14.8 cu-in)
Bore × Stroke	73.0 × 58.0 mm (2.87 in × 2.28 in)
Compression ratio	8.2:1
Engine speed	3,000 rpm
Cooling system	Forced air
Ignition system	Transistorized magneto
Oil capacity	1.1 L (1.2 US qt, 1.0 Imp qt)
Fuel tank capacity	23.5 L (6.21 US gal, 5.17 Imp gal)
Spark plug	BPR5ES (NGK) W16EPR-U (DENSO)

Generator

Model		EM3100CX	
Type		B	F, G
AC output	Rated Voltage (V)	115/230	230
	Rated Frequency (Hz)	50	
	Rated Ampere (A)	24.3/12.2	12.2
	Rated Output (kVA)	2.8	
	Max. Output (kVA)	3.1	

Noise

Model	EM3100CX
Type	B, F, G
Sound pressure level (LpA) According to 98/37/EC	78 dB
 <p>The diagram illustrates the measurement setup for noise. A rectangular control panel is shown with a dashed line indicating its center. A microphone point is positioned 1.60 m above the center of the control panel. The width of the control panel is indicated as 1.0 m.</p>	
Guaranteed sound power level (LWA) Tested by 2000/14/EC	96 dB

“the figures quoted are emission levels and are not necessarily safe working levels. Whilst there is a correlation between the emission and exposure levels, this cannot be used reliably to determine whether or not further precautions are required. Factors that influence the actual level of exposure of work-force include the characteristics of the work room, the other sources of noise, etc. i.e. the number of machines and other adjacent processes, and the length of time for which an operator is exposed to the noise. Also the permissible exposure level can vary from country. This information, however, will enable the user of the machine to make a better evaluation of the hazard and risk”.

NOTE:

Specifications are subject to change without notice.

Dimensions and Weight

Model	EM4500CX	EM4500CXS
Description code	EASC	EATC
Length	681 mm (26.8 in)	877 mm (34.5 in)
Width	530 mm (20.9 in)	530 mm (20.9 in)
Height	546 mm (21.5 in)	546 mm (21.5 in)
Dry mass (weight)	87.8 kg (193.6 lbs)	95.3 kg (210.1 lbs)

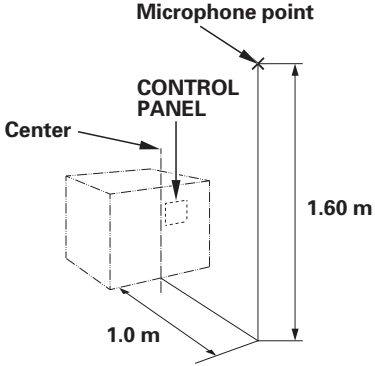
Engine

Model	GX340
Engine type	4-stroke, overhead valve, single cylinder
Displacement	337 cm ³ (20.6 cu-in)
Bore × Stroke	82.0 × 64.0 mm (3.23 in × 2.52 in)
Compression ratio	8.0:1
Engine speed	3,000 rpm
Cooling system	Forced air
Ignition system	Transistorized magneto
Oil capacity	1.1 L (1.2 US qt, 1.0 Imp qt)
Fuel tank capacity	23.5 L (6.21 US gal, 5.17 Imp gal)
Spark plug	BPR5ES (NGK) W16EPR-U (DENSO)

Generator

Model		EM4500CX-EM4500CXS	
Type		B	F, G, GW
AC output	Rated Voltage (V)	115/230	230
	Rated Frequency (Hz)	50	
	Rated Ampere (A)	34.8/17.4	17.4
	Rated Output (kVA)	4.0	
	Max. Output (kVA)	4.5	

Noise

Model	EM4500CX-EM4500CXS
Type	B, F, G, GW
Sound pressure level (LpA) According to 98/37/EC	80 dB
 <p>The diagram illustrates the measurement setup for noise. It shows a dashed rectangular box representing the machine. A vertical line with a double-headed arrow indicates a height of 1.60 m from the center of the machine to the microphone point. A horizontal line with a double-headed arrow indicates a distance of 1.0 m from the center of the machine to the microphone point. Labels include 'Microphone point', 'CONTROL PANEL', 'Center', and '1.60 m' and '1.0 m' with arrows pointing to the respective dimensions.</p>	
Guaranteed sound power level (LWA) Tested by 2000/14/EC	97 dB

“the figures quoted are emission levels and are not necessarily safe working levels. Whilst there is a correlation between the emission and exposure levels, this cannot be used reliably to determine whether or not further precautions are required. Factors that influence the actual level of exposure of work-force include the characteristics of the work room, the other sources of noise, etc. i.e. the number of machines and other adjacent processes, and the length of time for which an operator is exposed to the noise. Also the permissible exposure level can vary from country. This information, however, will enable the user of the machine to make a better evaluation of the hazard and risk”.

NOTE:

Specifications are subject to change without notice.

Dimensions and Weight

Model	EM5500CX	EM5500CXS
Description code	EAUC	EAVC
Length	681 mm (26.8 in)	877 mm (34.5 in)
Width	530 mm (20.9 in)	530 mm (20.9 in)
Height	546 mm (21.5 in)	546 mm (21.5 in)
Dry mass (weight)	90.1 kg (198.6 lbs)	97.6 kg (215.2 lbs)

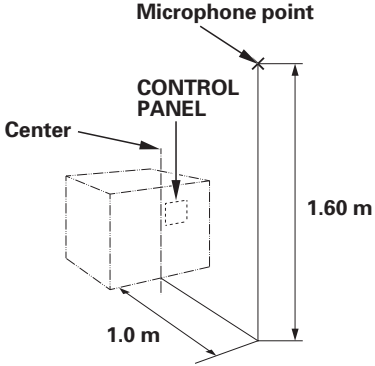
Engine

Model	GX390
Engine type	4-stroke, overhead valve, single cylinder
Displacement	389 cm ³ (23.7 cu-in)
Bore × Stroke	88.0 × 64.0 mm (3.46 in × 2.52 in)
Compression ratio	8.0:1
Engine speed	3,000 rpm
Cooling system	Forced air
Ignition system	Transistorized magneto
Oil capacity	1.1 L (1.2 US qt, 1.0 Imp qt)
Fuel tank capacity	23.5 L (6.21 US gal, 5.17 Imp gal)
Spark plug	BPR5ES (NGK) W16EPR-U (DENSO)

Generator

Model		EM5500CX-EM5500CXS	
Type		B	F, G, GW, IT
AC output	Rated Voltage (V)	115/230	230
	Rated Frequency (Hz)	50	
	Rated Ampere (A)	43.5/21.7	21.7
	Rated Output (kVA)	5.0	
	Max. Output (kVA)	5.5	

Noise

Model	EM5500CX-EM5500CXS
Type	B, F, G, GW, IT
Sound pressure level (LpA) According to 98/37/EC	80 dB
 <p>The diagram illustrates the measurement setup for noise. It shows a dashed rectangular box representing the machine. A vertical line with arrows at both ends indicates a height of 1.60 m from the center of the machine to the microphone point. A horizontal line with arrows at both ends indicates a distance of 1.0 m from the center of the machine to the microphone point. Labels include 'Microphone point', 'CONTROL PANEL', 'Center', and '1.60 m' and '1.0 m' with arrows pointing to the respective dimensions.</p>	
Guaranteed sound power level (LWA) Tested by 2000/14/EC	97 dB

“the figures quoted are emission levels and are not necessarily safe working levels. Whilst there is a correlation between the emission and exposure levels, this cannot be used reliably to determine whether or not further precautions are required. Factors that influence the actual level of exposure of work-force include the characteristics of the work room, the other sources of noise, etc. i.e. the number of machines and other adjacent processes, and the length of time for which an operator is exposed to the noise. Also the permissible exposure level can vary from country. This information, however, will enable the user of the machine to make a better evaluation of the hazard and risk”.

NOTE:

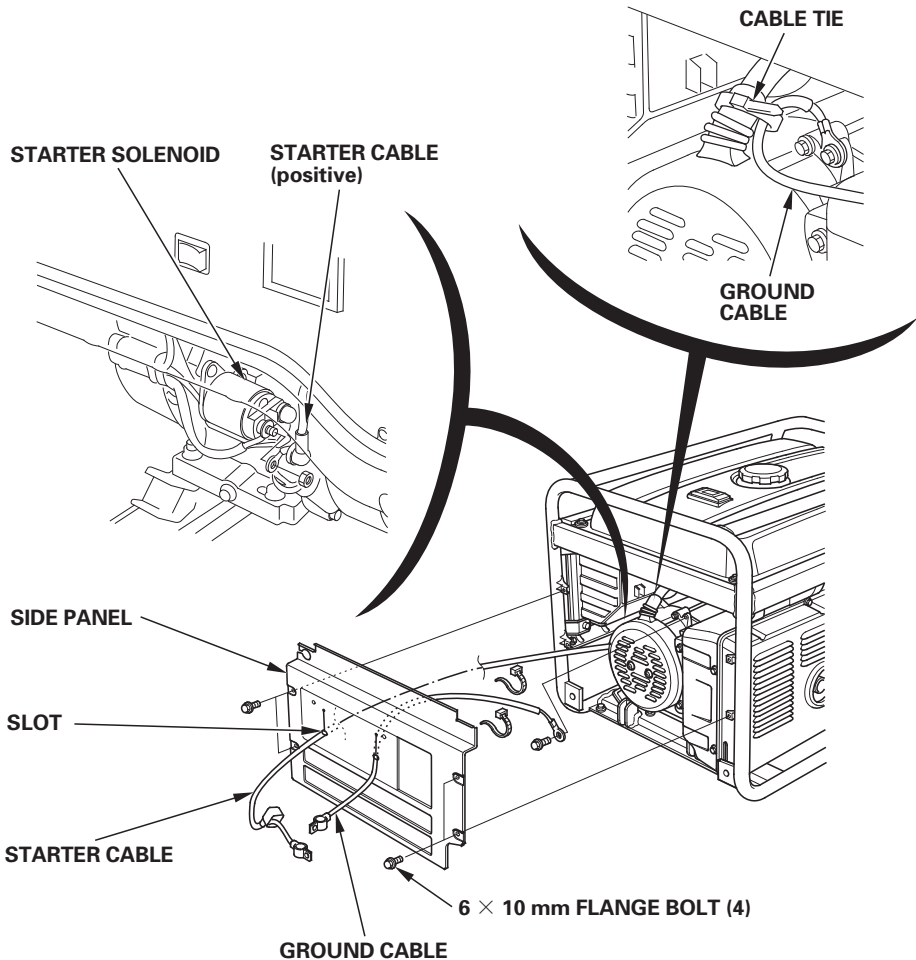
Specifications are subject to change without notice.

12. INSTALLATION OF KIT PARTS

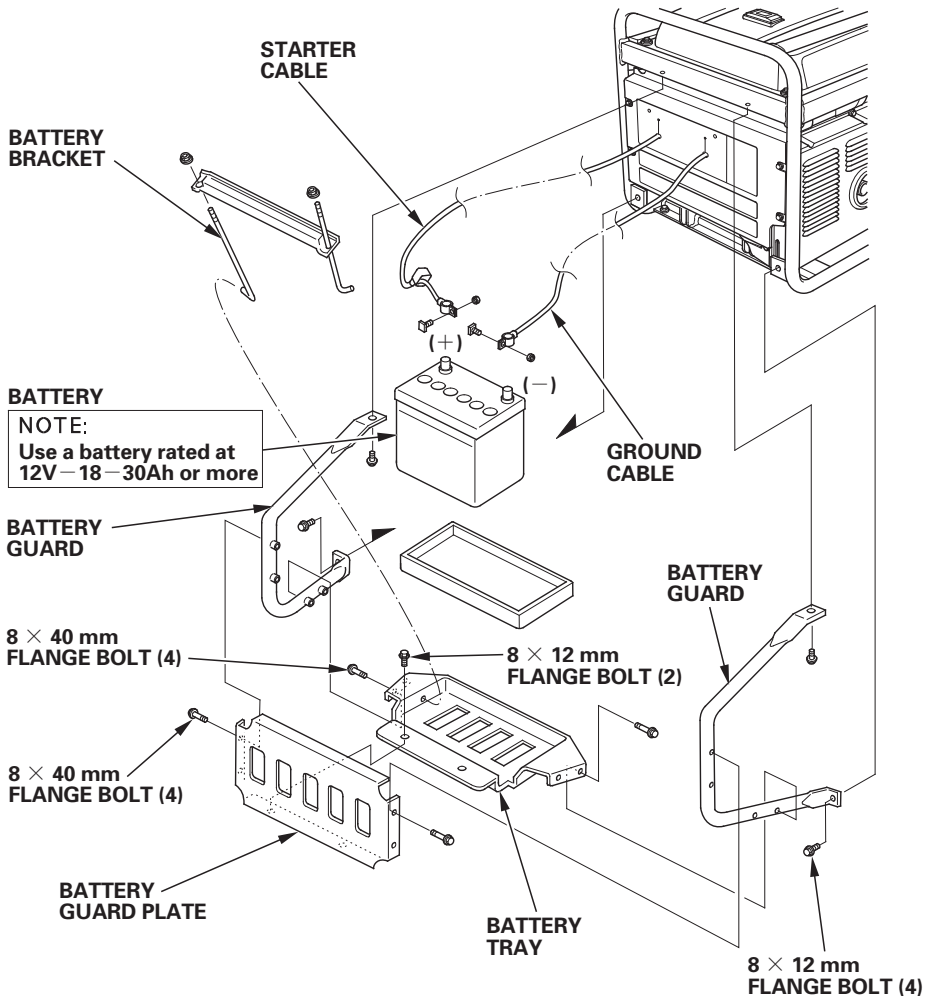
STANDARD KIT PARTS

Battery Tray Kit (CXS type)

1. Unscrew the four 6×10 mm flange bolts, and remove the side panel.
2. Route the starter cable under the tank and connect it to the starter solenoid.
3. Connect the ground cable to the generator.
4. Pass the starter cable and the ground cable through the slots on the side panel.
5. Reinstall the side panel using the four 6×10 mm flange bolts.



6. Install the battery guards on the frame using the four 8×12 mm flange bolts.
7. Install the battery tray on the battery guards using the four 8×40 mm flange bolts.
8. Set the battery on the battery tray and secure with the battery bracket.
9. Connect the starter cable to the battery positive (+) terminal first, then to the negative (-) terminal. When disconnecting, disconnect at the battery negative (-) terminal first.
10. Install the battery guard plate using the four 8×40 mm flange bolts and two 8×12 mm flange bolts.



OPTIONAL KIT PARTS

2 Wheel Type

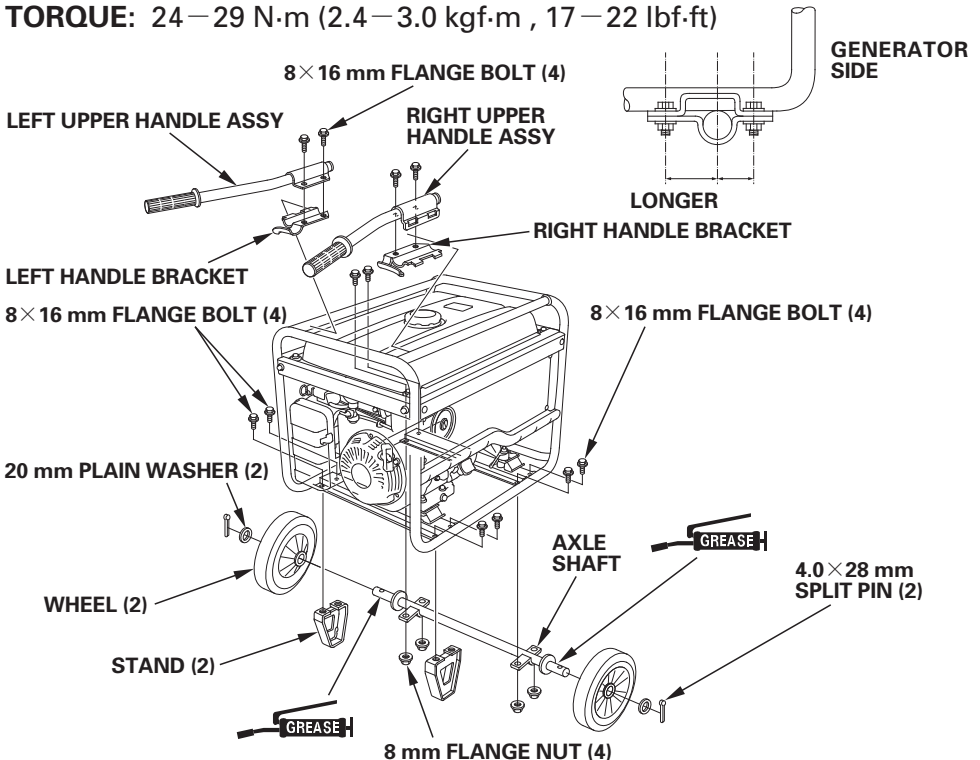
Handle Installation

Install the right and left handles on the generator upper frame using the handle brackets and four flange bolts.

Wheel Kit Installation

1. Apply grease to the axle shaft as shown below, and install the two wheels on the axle shaft using the washers and split pins.
2. Install the axle assembly on the generator using four 8×16 mm flange bolts and 8 mm flange nuts.
3. Install the two stands on the under frame using four 8×16 mm flange bolts.

TORQUE: 24–29 N·m (2.4–3.0 kgf·m , 17–22 lbf·ft)



4 Wheel Type

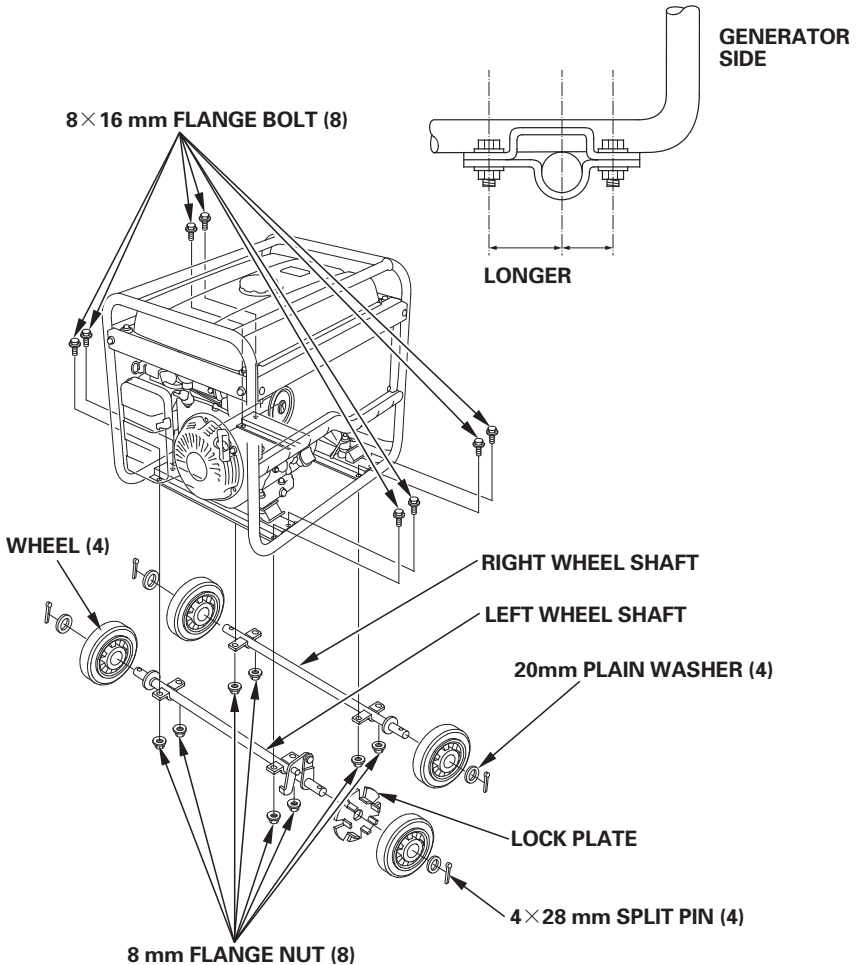
1. Install the lock plate and four wheels on the wheel shaft using the washers and split pins.

NOTE:

Install the left wheel shaft on the left side nearest the engine.

2. Install the wheel shaft assembly on the generator using eight 8×16 mm flange bolts and 8 mm flange nuts.

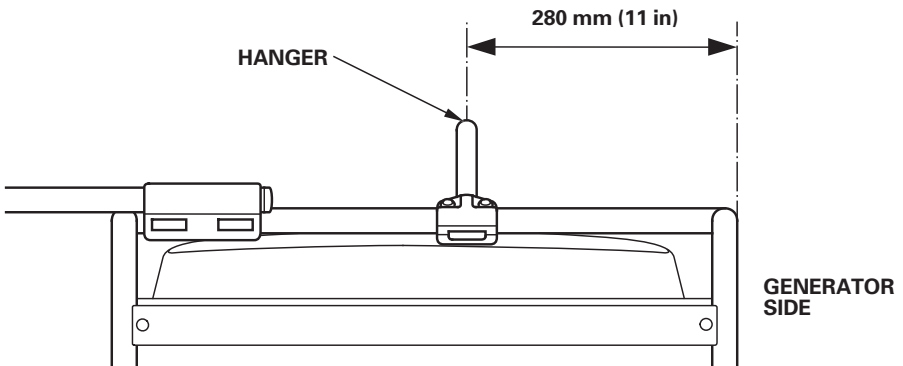
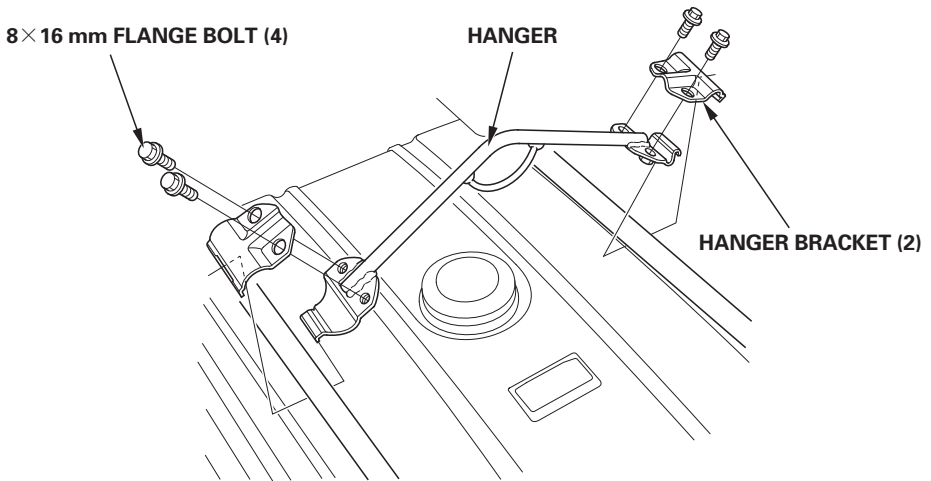
TORQUE: 24–29 N·m (2.4–3.0 kgf·m , 17–22 lbf·ft)



Hanger Kit Installation

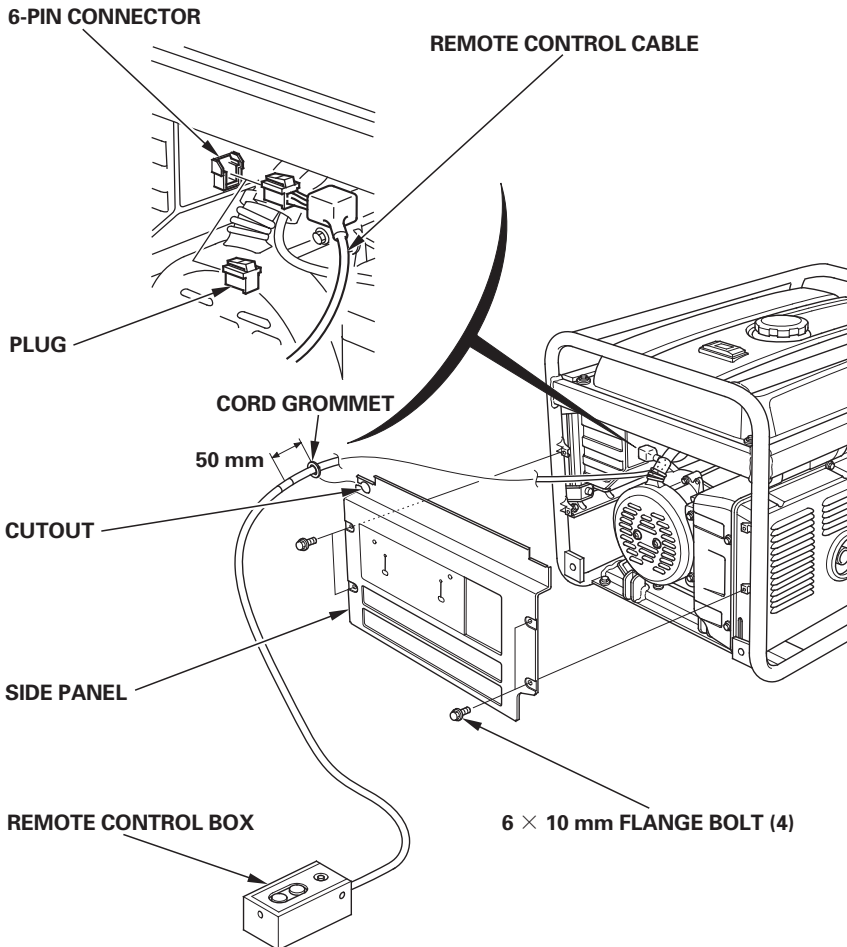
1. Position the hanger at the generator's balance point as shown below.
2. Fit the end tabs of the hanger through the bracket slots, and bolt the brackets to the hanger and tighten securely.

TORQUE: 24–29 N·m (2.4–3.0 kgf·m , 17–22 lbf·ft)

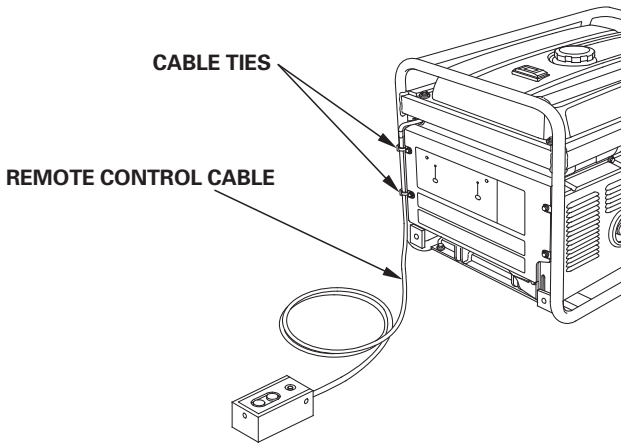


[CXS type]
Remote Control Kit

1. Unscrew the four 6×10 mm flange bolts, and remove the side panel.
2. Remove the plug from the 6-pin connector.
3. Connect the remote control cable to the 6-pin connector.
4. Pass the remote control cable through the cord grommet, and fit the grommet into the cutout.
5. Reinstall the side panel using the four 6×10 mm flange bolts.

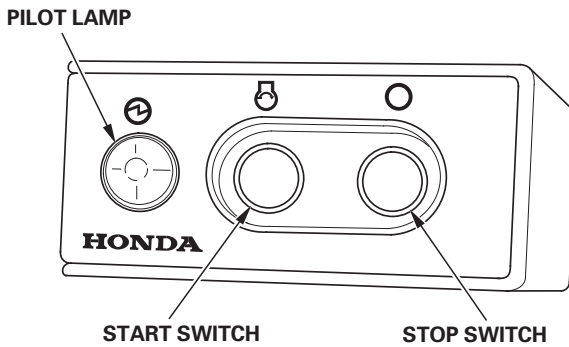


6. To avoid accidentally unplugging the remote control cable, secure the cable to the generator frame with the cable ties as shown.



NOTE:

- Connect the blind connector when not using the remote control.
- Engine will not start unless the blind connector is connected.



Starting the engine with remote control

1. Turn the fuel valve to the ON position.
2. Turn the engine switch to the ON position.
3. Press the start switch until the pilot lamp comes on.

Stopping the engine with remote control

1. Press the stop switch.
2. Turn the engine switch to the OFF position.
3. Turn the fuel valve lever to the OFF position.

13. WIRING DIAGRAM

ACOR	AC Output Receptacle
ACCP	AC Circuit Protector
ACNF	AC Noise Filter
ATS	Auto Throttle Solenoid
ATSw	Auto Throttle Switch
ATU	Auto Throttle Unit
AVRe	Auto Voltage Regulator
BAT	Battery
CB	Circuit Breaker
CBxB	Control Box Block
ChC	Charge Coil
D	Diode
DCW	DC Winding
EgB	Engine Block
EgCU	Engine Control Unit
EgSw	Engine Switch
Fu	Fuse
ExW	Exciter Winding
FW	Field Winding
FLCS	Fuel Cut Solenoid
GeB	Generator Block
GT	Ground Terminal
IgC	Ignition Coil
MW	Main Winding
OAU	Oil Alert Unit
OLSw	Oil Level Switch
RCB	Remote Control Block
RCC	Remote Control Cable
St	Starter
SP	Spark Plug
SSw	Start Switch
STSw	Stop Switch
SoV	Solenoid Valve
T	Thermistor
VMe	Volt Meter
VSSw	Voltage Selector Switch

Bl	BLACK
Y	YELLOW
Bu	BLUE
G	GREEN
R	RED
W	WHITE
Br	BROWN
O	ORANGE
Lb	LIGHT BLUE
Lg	LIGHT GREEN
P	PINK
Gr	GRAY

ENGINE SWITCH

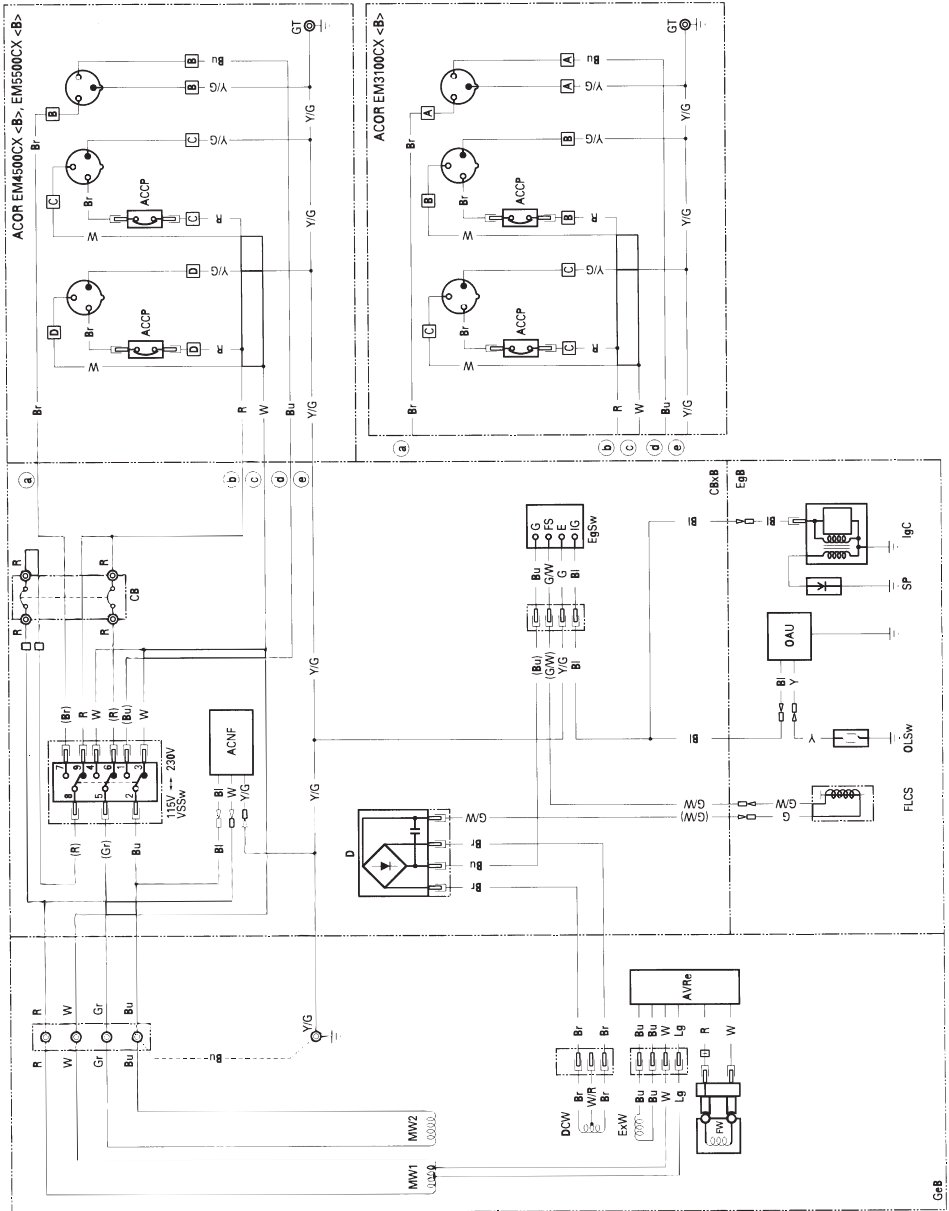
EM3100CX·EM4500CX·EM5500CX

	IG	E	FS	G
OFF	○	○	○	○
ON				

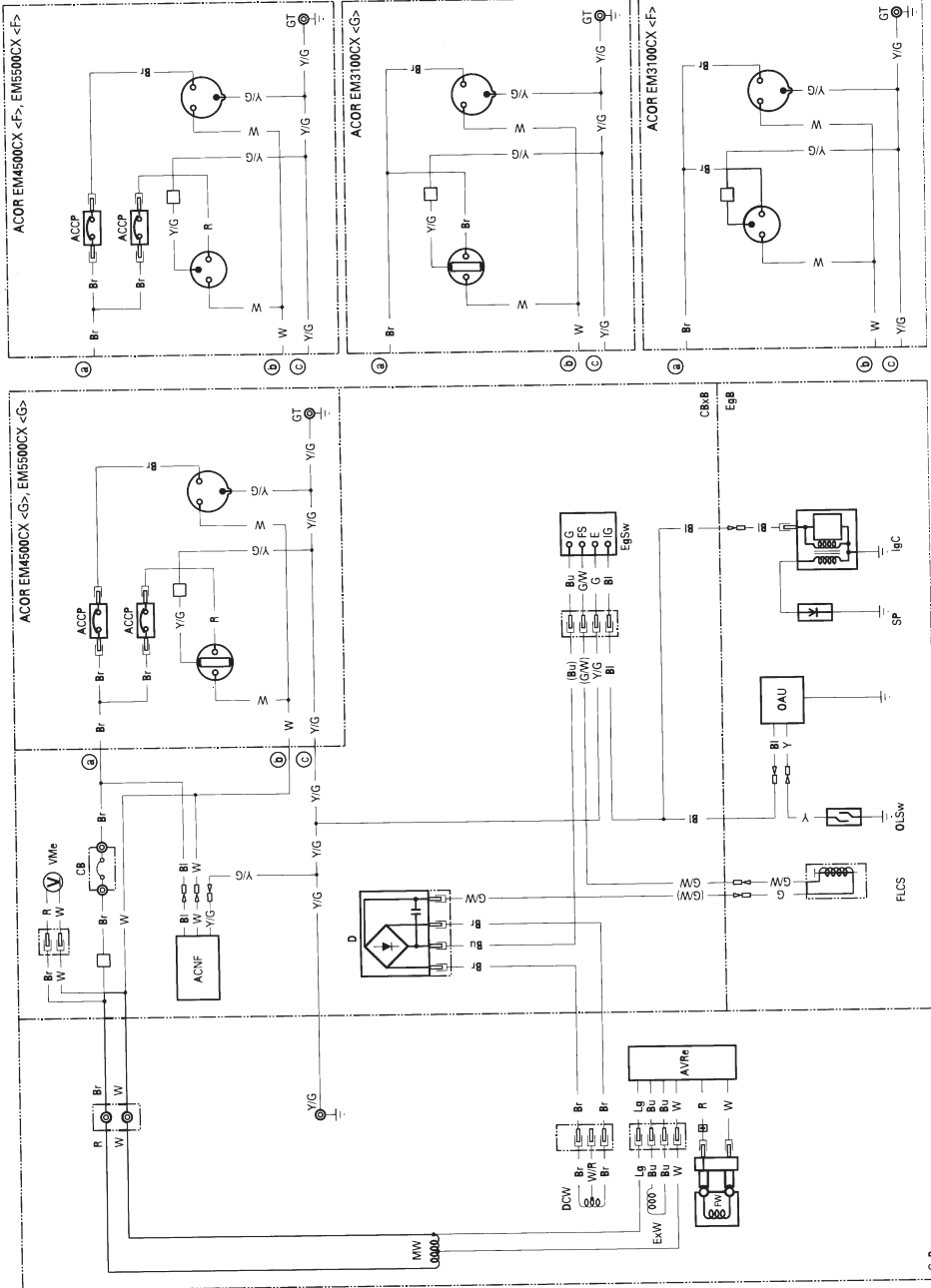
EM4500CXS·EM5500CXS

	IG	E	LO	BAT	ST	FS	G
OFF	○	○				○	○
ON			○	○			
START			○	○	○		

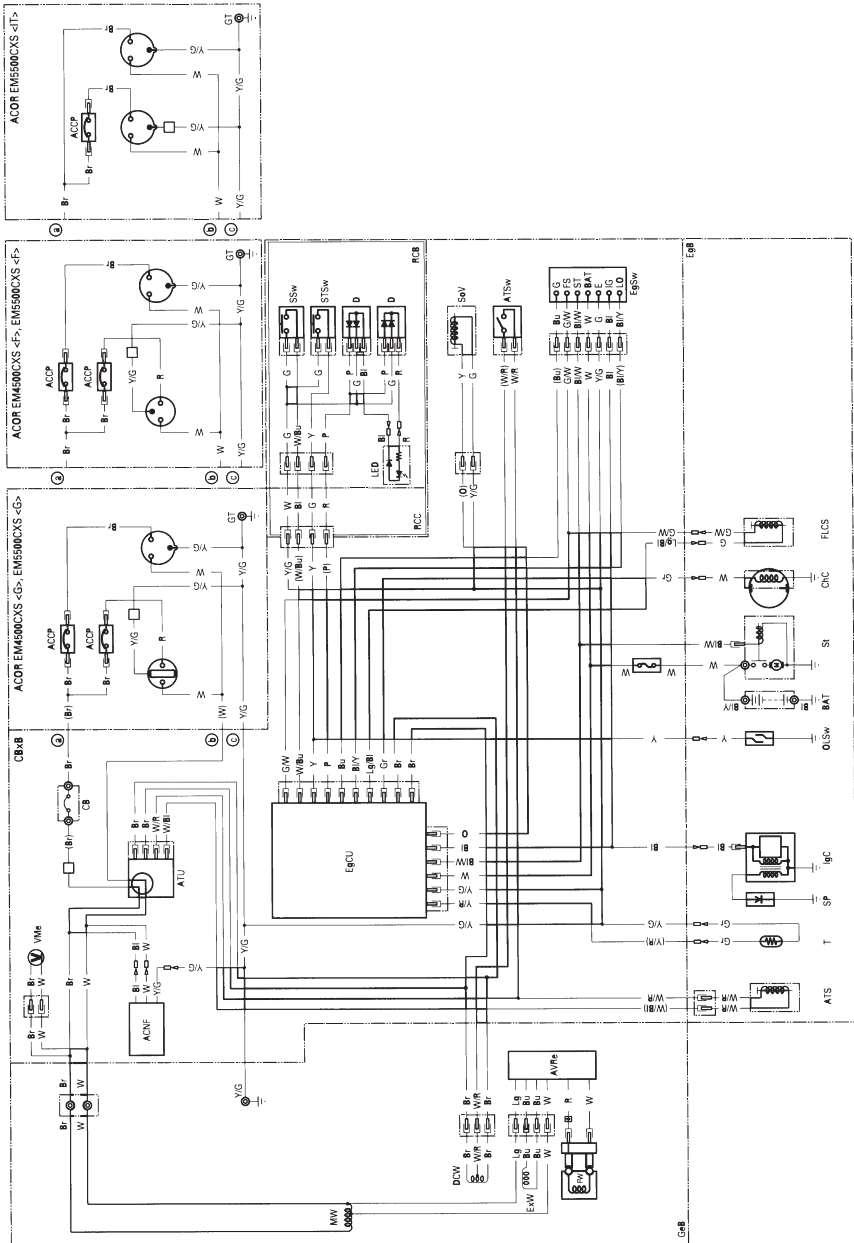
EM3100CX·EM4500CX·EM5500CX (B type)



EM3100CX·EM4500CX·EM5500CX (F, G, GW types)



EM450CXS-EM550CXS (F, G, GW, IT types)



14. MAJOR Honda DISTRIBUTOR ADDRESSES

For further information, please contact Honda Customer Information Centre at the following address or telephone number:

AUSTRIA

Honda Motor Europe (North)
Hondastraße 1
2351 Wiener Neudorf
Tel. : + 43 (0)2236 690 0
Fax : + 43 (0)2236 690 480
<http://www.honda.at>

BELGIUM

Honda Motor Europe (North)
Doornveld 180-184
1731 Zellik
Tel. : + 32 2620 10 00
Fax : + 32 2620 10 01
<http://www.honda.be>
✉ BH_PE@HONDA-EU.COM

BULGARIA

Kirov Ltd.
49 Tsaritsa Yoana blvd
1324 Sofia
Tel. : + 359 2 93 30 892
Fax : + 359 2 93 30 814
<http://www.kirov.net>
✉ honda@kirov.net

CROATIA

Hongoldonia d.o.o.
Jelkovecka Cesta 5
10360 Sesvete – Zagreb
Tel. : + 385 1 2002053
Fax : + 385 1 2020754
<http://www.hongoldonia.hr>

CYPRUS

Alexander Dimitriou & Sons Ltd.
162, Yiannos Kranidiotis Avenue
2235 Latsia, Nicosia
Tel. : + 357 22 715 300
Fax : + 357 22 715 400

CZECH REPUBLIC

BG Technik cs, a.s.
U Zavodiste 251/8
15900 Prague 5 - Velka
Chuchle
Tel. : + 420 2 838 70 850
Fax : + 420 2 667 111 45
<http://www.honda-stroje.cz>

DENMARK

Tima Products A/S
Tårnfalkevej 16 - Postboks 511
2650 Hvidovre
Tel. : + 45 36 34 25 50
Fax : + 45 36 77 16 30
<http://www.tima.dk>

FINLAND

OY Brandt AB.
Tuupakantie 7B
01740 Vantaa
Tel. : + 358 20 775 7200
Fax : + 358 9 878 5276
<http://www.brandt.fi>

FRANCE

HONDA RELATIONS CLIENTS
TSA 80627
45146 St Jean de la Ruelle CEDEX
Tel. : 02 38 81 33 90
Fax : 02 38 81 33 91
<http://www.honda.fr>
✉ relationsclientele.produits-equipement@honda-eu.com

GERMANY

Honda Motor Europe (North) GmbH
Sprendlinger Landstraße 166
63069 Offenbach am Main
Tel. : + 49 69 8300 60
Fax : + 49 69 8300 65100
<http://www.honda.de>
✉ info@post.honda.de

GREECE

General Automotive Co S.A.
71 Leoforos Athinon
10173 Athens
Tel. : + 30 210 349 7809
Fax : + 30 210 346 7329
<http://www.honda.gr>
✉ info@saracakis.gr

HUNGARY

Mo.Tor.Pedo Co Ltd.
Kamaraerdei ut 3.
2040 Budaors
Tel. : + 36 23 444 971
Fax : + 36 23 444 972
<http://www.hondakisgepek.hu>
✉ info@hondakisgepek.hu

IRELAND

Two Wheels Ltd.

Crosslands Business Park
Ballymount Road
Dublin 12

Tel. : +353 01 460 2111

Fax : +353 01 456 6539

<http://www.hondaireland.ie>

✉ sales@hondaireland.ie

ITALY

Honda Italia Industriale S.p.A.

Via della Cecchignola, 5/7
00143 Roma

Tel. : +848 846 632

Fax : +39 065 4928 400

<http://www.hondaitalia.com>

✉ info.power@honda-eu.com

LATVIA

Bensons Auto

Kr.Valdemara Street 21, 646 office
Riga, 1010

Tel. : +371 7 808 333

Fax : +371 7 808 332

<http://www.honda-power.lv>

LITHUANIA

JP Motor Ltd

Kubiliaus str. 6
08234 Vilnius

Tel. : +370 5 276 5259

Fax : +370 5 276 5250

<http://www.hondapower.lt>

MALTA

The Associated Motors Company Ltd.

New Street in San Gwakklin Road
Mriehel Bypass, Mriehel QRM17

Tel. : +356 21 498 561

Fax : +356 21 480 150

NETHERLANDS

Honda Motor Europe (North)

Afd. Power Equipment-
Capronilaan 1

1119 NN Schiphol-Rijk

Tel. : +31 20 7070000

Fax : +31 20 7070001

<http://www.honda.nl>

NORWAY

Berema AS

P.O. Box 454

1401 Ski

Tel. : +47 64 86 05 00

Fax : +47 64 86 05 49

<http://www.berema.no>

✉ berema@berema.no

POLAND

Aries Power Equipment Sp. z o.o.

ul. Wroclawska 25A

01-493 Warszawa

Tel. : +48 (22) 861 43 01

Fax : +48 (22) 861 43 02

<http://www.hondapower.pl>

✉ info@hondapower.pl

PORTUGAL

Honda Portugal, S.A.

Abrunheira

2714-506 Sintra

Tel. : +351 21 915 53 33

Fax : +351 21 915 23 54

<http://www.honda.pt>

✉ honda.produtos@honda-eu.com

REPUBLIC OF BELARUS

Scanlink Ltd.

Kozlova Drive, 9

220037 Minsk

Tel. : +375 172 999090

Fax : +375 172 999900

ROMANIA

Hit Power Motor Srl

Calea Giulesti N° 6-8 Sector 6
060274 Bucuresti

Tel. : +40 21 637 04 58

Fax : +40 21 637 04 78

<http://www.honda.ro>

✉ hit_power@honda.ro

RUSSIA

Honda Motor Rus Llc

42/1-2, Bolshaya Yakimanka st.

117049, Moscow

Tel. : +74 95 745 20 80

Fax : +74 95 745 20 81

<http://www.honda.co.ru>

SERBIA & MONTENEGRO

Bazis Grupa d.o.o.

Grcica Milenka 39

11000 Belgrade

Tel. : +381 11 3820 300

Fax : +381 11 3820 301

<http://www.hondasrbija.co.yu>

SLOVAKIA REPUBLIC

Honda Slovakia, spol. s r.o.

Prievozska 6 - 821 09 Bratislava

Slovak Republic

Tel. : +421 2 32131112

Fax : +421 2 32131111

<http://www.honda.sk>

SLOVENIA

AS Domzale Moto Center D.O.O.

Blatnica 3A

1236 Trzin

Tel. : +386 1 562 22 42

Fax : +386 1 562 37 05

<http://www.as-domzale-motoc.si>

SPAIN & Las Palmas province

(Canary Islands)

Greens Power Products, S.L.

Avda. Ramon Ciurans, 2
08530 La Garriga - Barcelona
Tel. : +34 3 860 50 25
Fax : +34 3 871 81 80
<http://www.hondaencasa.com>

Tenerife province

(Canary Islands)

Automocion Canarias S.A.

Carretera General del Sur, KM. 8,8
38107 Santa Cruz de Tenerife
Tel. : + 34 (922) 620 617
Fax : +34 (922) 618 042
<http://www.aucasa.com>
✉ ventas@aucasa.com
✉ taller@aucasa.com

SWEDEN

Honda Nordic AB

Box 50583 - Västkvstvägen 17
120215 Malmö
Tel. : +46 (0)40 600 23 07
Fax : +46 (0)40 600 23 19
<http://www.honda.se>
✉ hpesinfo@honda-eu.com

SWITZERLAND

Honda Suisse S.A.

10, Route des Moulières
1214 Vemier - Genève
Tel. : +41 (0)22 939 09 09
Fax : +41 (0)22 939 09 97
<http://www.honda.ch>

TURKEY

Anadolu Motor Uretim Ve

Pazarlama AS (ANPA)

Esentepe mah. Anadolu
Cad. No: 5
Kartal 34870 Istanbul
Tel. : +90 216 389 59 60
Fax : +90 216 353 31 98
<http://www.anadolumotor.com.tr>
✉ antor@antor.com.tr

UKRAINE

Honda Ukraine LLC

101 Volodymyrska Str. - Build. 2
Kiev 01033
Tel. : +380 44 390 1414
Fax : +380 44 390 1410
<http://www.honda.ua>

UNITED KINGDOM

Honda (ULC) Power

Equipment

470 London Road
Slough - Berkshire, SL3 8QY
Tel. : +44 (0)845 200 8000
Fax : +44 (0)1 753 590 732
<http://www.honda.co.uk>
✉ customer.service@honda-eu.com

AUSTRALIA

Honda Australia Motorcycle and Power Equipment Pty. Ltd

1954-1956 Hume Highway
Campbellfield Victoria 3061
Tel. : (03) 9270 1111
Fax : (03) 9270 1133