

Compact



Minimal maintenance



Long running time

These silenced generators are equipped with a Yanmar 1500 RPM engine and designed for automatic starting. Fully opening hood for easy maintenance, lifting hook and forkable base for practical handling.



MGF SERIES

STANDARD EQUIPMENT



MGF SERIES

- Auto engine protection shutdown system with warning lights in case of low oil pressure and high cooling water temperature
- Starting battery
- Hourmeter
- Voltmeter
- Emergency stop button
- Power outputs protections
- Earth Leakage Circuit Breaker (ELCB)
- Connector for AMF-ATS panel and remote control
- Particulate filter (MGF 33-44 Y Stage V)
- Fork lift pockets
- Lifting hook

Socket kit:

MGF 1600 Y

- 1 x 63A - 230V single-phase socket
- 1 x 32A - 230V single-phase socket
- 1 x 16A - 230V single-phase socket

MGF 16 - 22 - 33 - 44 Y

- 2 x 16A - 230V single-phase sockets
- 1 x 16A - 400V three-phase socket
- 1 x 32A - 400V three-phase socket (MGF 16-22 Y)
- 1 x 63A - 400V three-phase socket (MGF 33-44 Y)

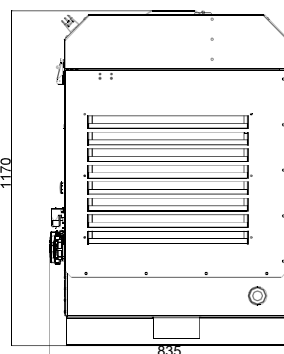
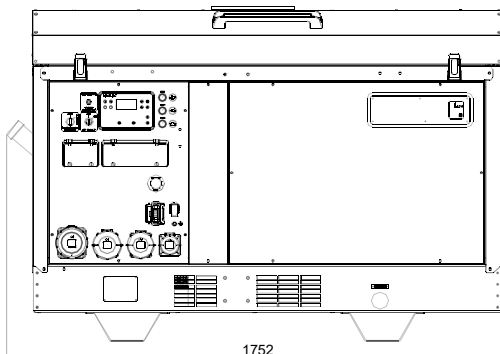
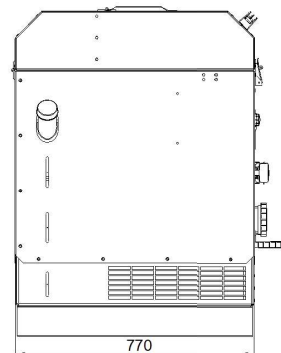
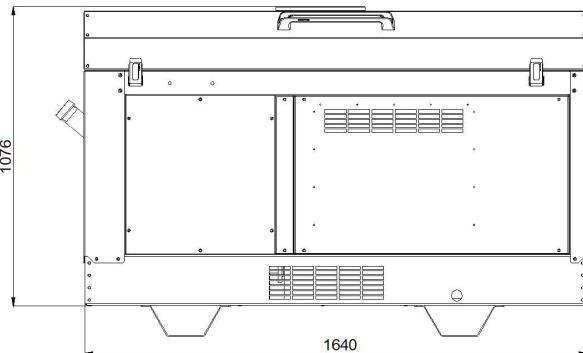
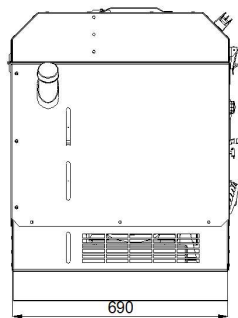
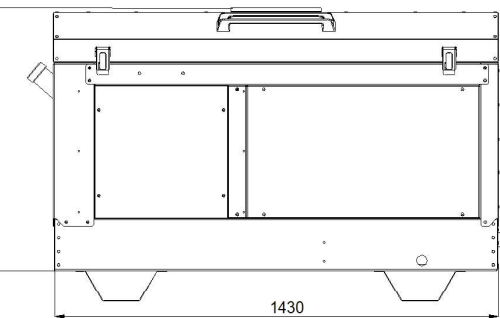
*Logic with digital display for full monitoring of generator parameters: generator voltage, generator frequency, battery voltage, engine speed, hours counter, oil pressure, engine temperature, fuel level. With auto engine protection shutdown system in case of emergency stop, low oil pressure, low fuel level, high coolant temperature standard for MGF 33 - 44 Y Stage V models.

DIMENSIONS IN MM

← MGF 16000-16-22 Y

MGF 33-44 Y →

← MGF 33-44 Y Stage V



MGF SERIES

TECHNICAL DATA

	MGF 16000 Y	MGF 16 Y	MGF 22 Y	MGF 33 Y	MGF 44 Y
Noise level Lwa	96 (71 dB a 7 mt)			96 (71 dB a 7 mt) 97 (72dB a 7mt) Stage V	97 (72 dB a 7 mt)
AC generator-50Hz	Synchronous				
Three-phase max. power	16 kVA - 400 V	22 kVA - 400 V	33 kVA - 400 V	44 kVA - 400 V	
Single-phase max. power	14,5 kVA - 230 V	5,3 kVA - 230 V	7,3 kVA - 230 V	11 kVA - 230 V	14,7 kVA - 230 V
Power Factor	cos φ 0,8				
Yanmar 1500 RPM engine	3 TNV 88	3 TNV 88	4 TNV 88	4 TNV 98	4 TNV 98 T
Fuel	Diesel				
No. cylinders	3	3	4	4	4
Power	18,1 HP (13,5 kWm)	18,1 HP (13,5 kWm)	24,1 HP (18 kWm)	46,1 HP (34,4 kWm)	55,9 HP (41,7 kWm)
Displacement	1642 cm3	1642 cm3	2190 cm3	3319 cm3	3319 cm3
Cooling system	Water				
Starting system	Electric				
Fuel tank capacity	40 lt				
Fuel consumption @75%	2,7 lt/h	2,7 lt/h	3,5 lt/h	6,4 lt/h	8,1 lt/h
Insulation Class	H				
Ambient temperature	40 °C				
Altitude	1000 mt				
Degree of protection	IP 23				
Dimensions (LxWxH)	1430x690x930 mm			1640x770x1076 mm 1752x835x1170 mm (Stage V)	
Dry weight	430 kg	430 kg	480 kg	690 kg 726 kg (Stage V)	725 kg 800 kg (Stage V)



MGF SERIES

Options on request

- 1- Engine heater
- Automatic voltage regulator (AVR)*

Accessories

- 2- Remote control
- 3- AMF-ATS automatic starting panel
- GRT2W: 2 wheels site trailer

* Standard for MGF 33 - 44 Y models



NOTE

