

FRIDGES AND FREEZERS

WITH BUILT-IN COOLING UNIT

VITRIFRIGO
COOL AND BEYOND

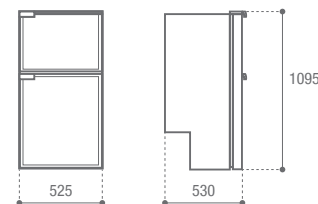
DP150iD CHR

Total volume	155 lt.
Freezer compartment	35 lt.
Net weight	28,5 kg.
Power supply and nominal consumption	12/24 Vdc 70 W

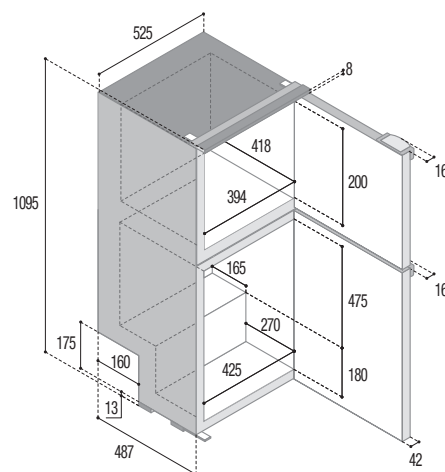
30%
LIGHTER



- ▶ Internal fixing points
- ▶ T-Rated climate class
- ▶ Fully insulated freezer

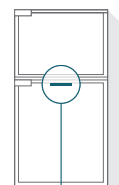


Dimension without fitting frame (optional)



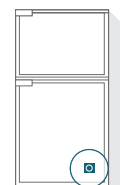
	DOOR INSIDE	DOOR OUTSIDE
MOUNTING FLANGE PROFILO DI FISSAGGIO	t: 25 w: 588 h: 1106	25 588 1106
BUILT-IN VANO INCASSO	a: 532 b: 543 c: 1097	487 543 1097

TWO MODELS AVAILABLE



DP150iD CHR

Digital thermostat



DP150i CHR

Manual thermostat



FRIDGES AND FREEZERS

WITH BUILT-IN COOLING UNIT

VITRIFRIGO
COOL AND BEYOND



Double door colouring



BLACK

Black matte soft touch panel.



LIGHT GREY

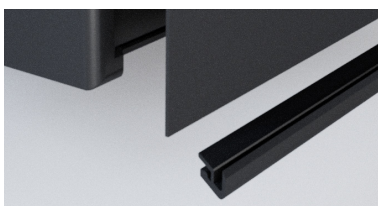
Light grey glossy panel.



Door Inside or Outside (OPTIONAL mounting flange)



Replaceble finishing panel



Finishing panels from 0.8 mm to 3.0 mm thick. Panel replacement using interlocking flange.

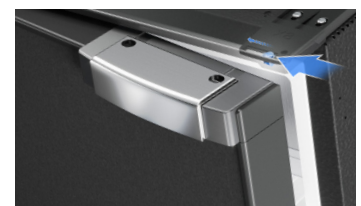
Dual electronic control



CENTRALINA
BIVALENTE

12/24 Vdc 100/240 Vac 50/60 Hz

Integrated Vent Position



Hold the door ajar during periods of non-use, avoiding the formation of mould.