

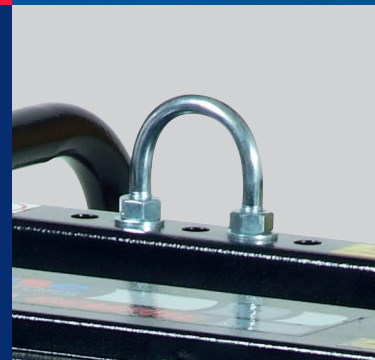
FX 80 H/A



Control Panel



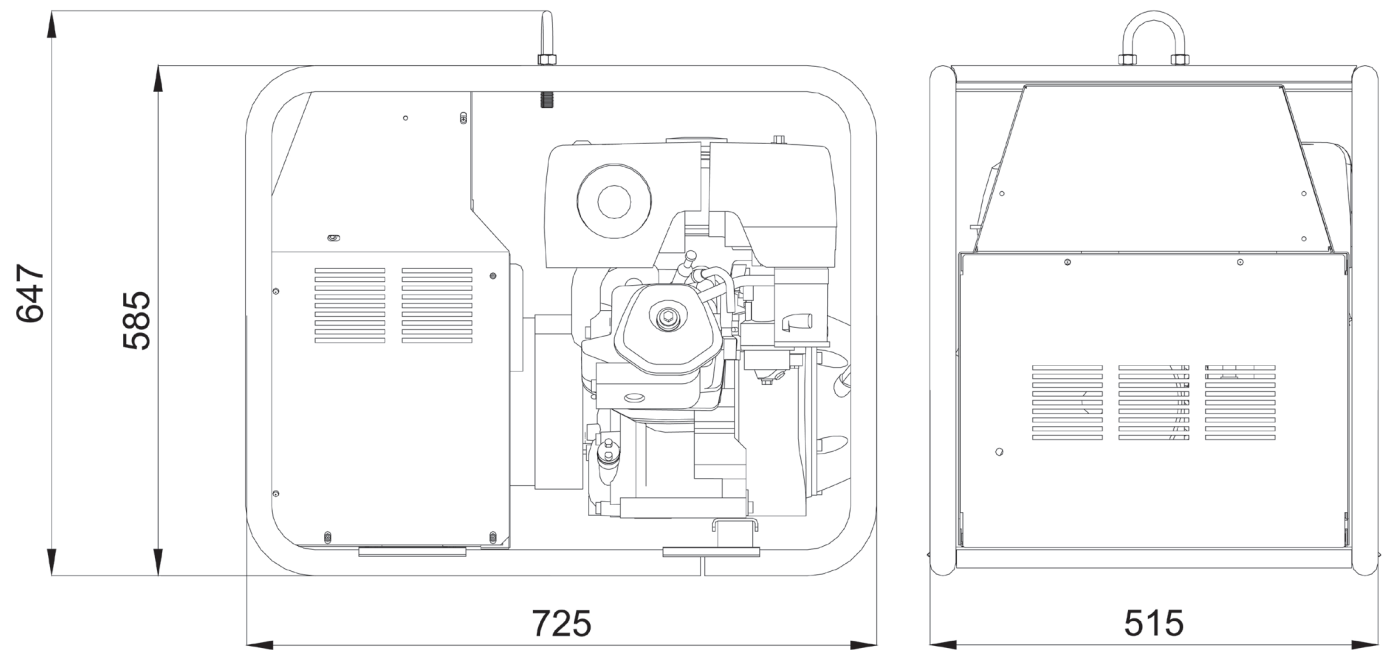
Central lifting eye



3000 rpm Honda Engine



Unit of measure: mm



We reserve the right to change data, images and drawings without notice.
For more information, you may contact your local dealer or Mase Generators S.p.A.

Mase Generators spa
Via Tortona, 345 - 47522 - Cesena (FC) - Tel. +39 0547 354311
www.masegenerators.com - commercial@masegenerators.com





**Max. output power 7 kVA
single-phase**

Description

- Portable power generator
- Petrol engine 3000 rpm
- 6,1 lt fuel tank

Standard Features

- 1 x 16 A - 230 V single-phase CEE socket
- 1 x 32 A - 230 V single-phase CEE socket
- Starting battery
- Voltmeter
- Low oil level shutdown device
- Earth Leakage Circuit Breaker
- Power output protection
- Fitted for AMF-ATS or Remote control operation
- Central lifting eye
- Automatic voltage regulator (AVR)

Accessories on request

- AMF/ATS panel for auto start operation
- Trolley: two wheels and handles
- Remote control

Noise level

- Lwa 99 (74 dB a 7 mt)

AC generator - 50Hz

- Type: synchronous
- Single-phase power (max.): 7 kVA - 230 V
- Power Factor: $\cos \phi$ 0,8

**Petrol Engine
3000 rpm**

- Type: Honda GX390- 1 cyl. - 11 HP (8,2 kWm) - 390 cm³
- Cooling system: air
- Starting system: electric
- Fuel tank capacity: 6,1 lt
- Fuel consumption @ 75%: 3,3 lt/h

Other features

- Insulation Class: H
- Ambient temperature: 40 °C (*)
- Altitude: 1000 mt (*)
- Mechanical Protection: IP 23
- Dimensions (L x W x H): 725 x 515 x 585 mm
- Dry weight: 93 kg

(*) - For altitude and temperature values other than those listed above, please consult the manufacturer to verify the available power.