

# PD 50 S



10,5 lt Fuel Tank

Control panel



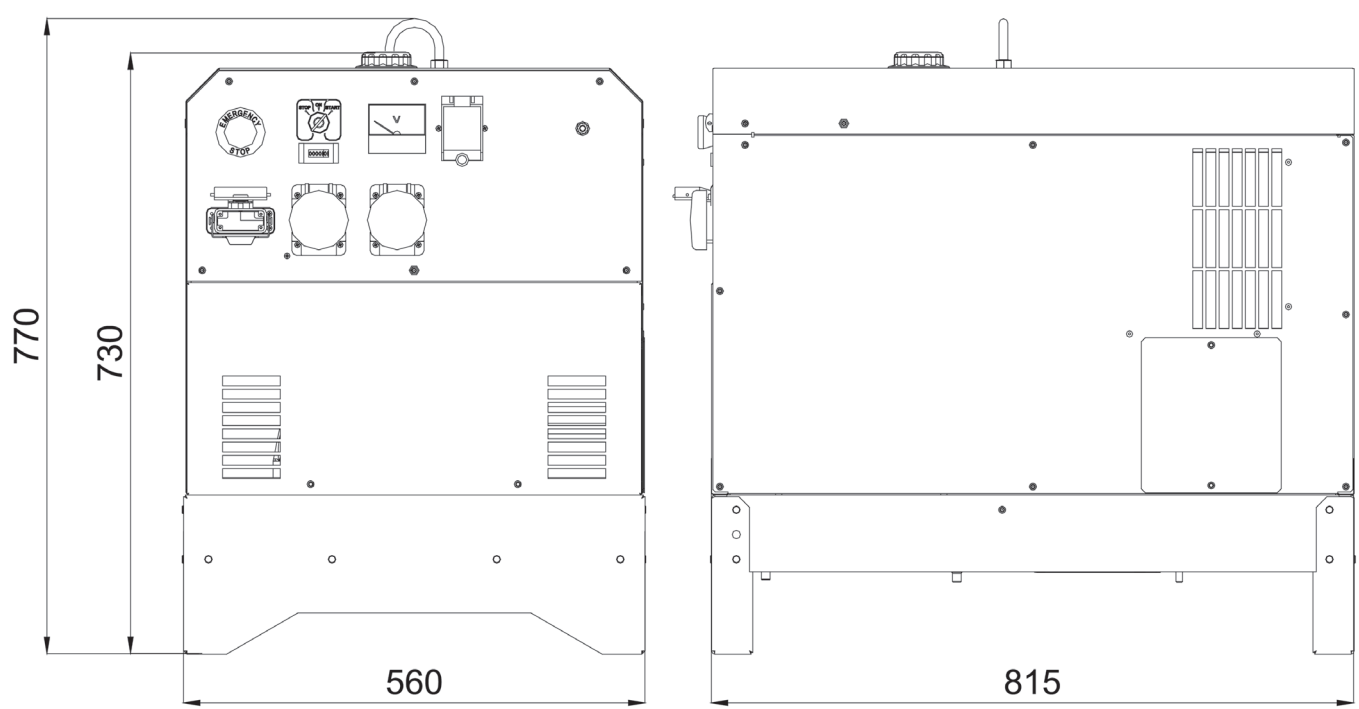
Central lifting eye



10,5 lt Fuel Tank



Unit of measure: mm



We reserve the right to change data, images and drawings without notice.  
 For more information, you may contact your local dealer or Mase Generators S.p.A.

**Mase Generators spa**  
 Via Tortona, 345 - 47522 - Cesena (FC) - Tel. +39 0547 354311  
 www.masegenerators.com - commercial@masegenerators.com





### Description

- Silenced power generator
- Electric starter
- Diesel engine 3000 rpm
- 10,5 lt fuel tank

### Standard Features

- Voltmeter
- Hourmeter
- Earth leakage circuit breaker
- Emergency stop button
- Starter battery
- 1 x 32 A, 230 V - 50 Hz EEC single-phase socket
- 1 x 16A, 230V - 50 Hz EEC single-phase socket
- Power output protection
- Fitted for AMF/ATS or Remote control operation
- Central lifting eye

### Options

- Versions with different voltages
- 60Hz version
- Oversized fuel tank
- Automatic voltage regulator (AVR)

### Accessories on request

- AMF/ATS panel for auto start operation
- Trolley: two-wheels and handles
- Remote START/STOP kit

### Noise level

- Lwa 96 (71 dB a 7 mt)

### AC generator - 50Hz

- Type: synchronous
- Single-phase power (max.): 4,3 kVA - 230 V
- Power Factor:  $\cos \phi 0,8$

### Diesel Engine 3000 rpm

- Type: Yanmar L70V - 1 cyl. - 6 hp (4,5 kWm) - 320 cm<sup>3</sup>
- Cooling system: air
- Starting system: electric
- Fuel tank capacity: 10,5 lt
- Fuel consumption @ 75%: 1 lt/h

### Other features

- Insulation Class: H
- Ambient temperature: 40 °C (\*)
- Altitude: 1000 mt (\*)
- Mechanical Protection: IP 23
- Dimensions (L x W x H): 815 x 560 x 730 mm
- Dry weight: 125 kg

(\*) - For altitude and temperature values other than those listed above, please consult the manufacturer to verify the available power.