

SILENT 6000 B/A



Control Panel



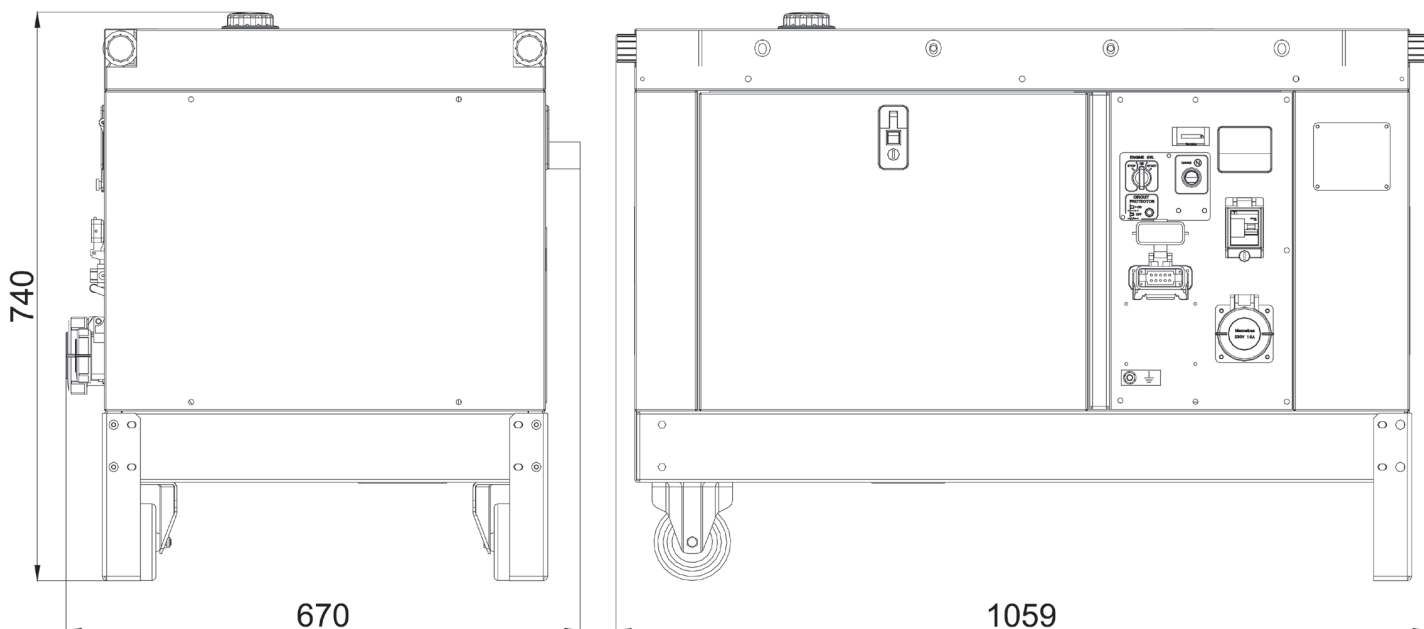
Movable Base



Concealable Handles



Unit of measure: mm



We reserve the right to change data, images and drawings without notice.
For more information, you may contact your local dealer or Mase Generators S.p.A.

Mase Generators spa
Via Tortona, 345 - 47522 - Cesena (FC) - Tel. +39 0547 354311
www.masegenerators.com - commercial@masegenerators.com

mase
GENERATORS
Believing in change.



Max. output power 5 kVA
single-phase

Description

- Super silenced power generator
- Output power 5 kVA single-phase
- Petrol engine 3000 rpm
- Fuel tank 10,5 lt

Standard Features

- Low oil level shutdown device
- 12 V battery
- 1 x 16 A, 230 V - 50 Hz single-phase EEC socket
- Protections for power outputs
- Earth leakage circuit breaker (ELCB)
- Voltmeter
- Hourmeter
- Fixed wheels and concealable handles for moving
- Fitted for AMF-ATS or Remote control operation
- Choke switch
- Automatic voltage regulator (AVR)

Options

- Versions with different voltages
- 60Hz version

Accessories on request

- AMF/ATS panel for auto start operation
- Remote control

Noise level

- Lwa 86 (61 dB a 7 m)

AC generator - 50Hz

- Type: synchronous
- Single-phase power (standby): 5 kVA - 230 V
- Power Factor: $\cos \phi 0,8$

Petrol Engine 3000 rpm

- Type: Honda GX270 - 1 cyl. - STAGE V - 8,2 hp (6 kWm) - 270 cm³
- Cooling system: air
- Starting system: electric (12Vdc)
- Fuel tank capacity: 10,5 lt
- Fuel consumption @ 75%: 2,2 lt/h

Other features

- Insulation Class: H
- Ambient temperature: 40 °C (*)
- Altitude: 1000 mt (*)
- Mechanical Protection: IP 23
- Dimensions (L x W x H): 1059 x 670 x 740 mm
- Dry weight: 125 kg

(*) - For altitude and temperature values other than those listed above, please consult the manufacturer to verify the available power.