

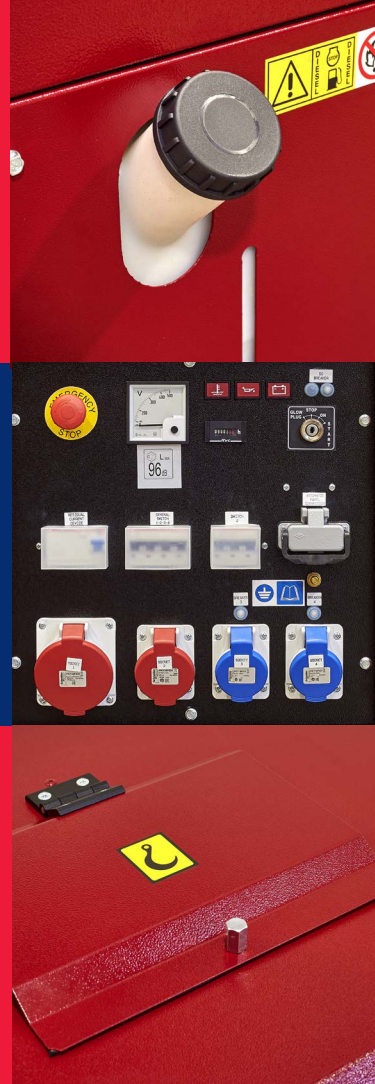
MPF 16 BA



40 Lt Fuel Tank

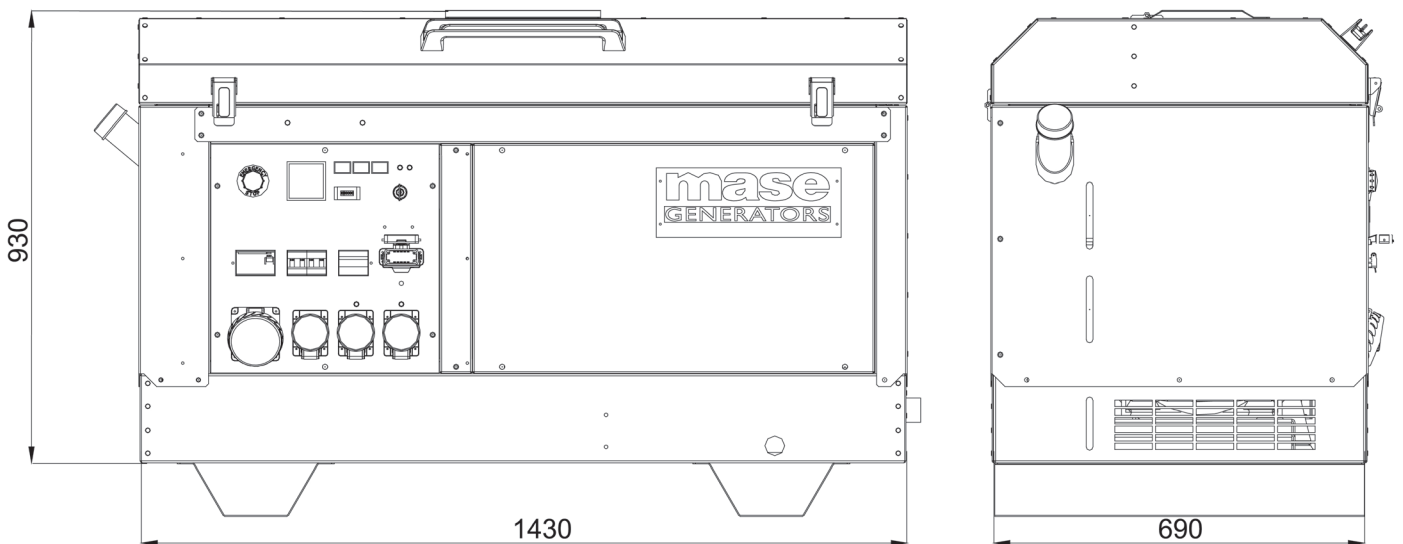
Control panel

Central lifting eye



stage5V

Unit of measure: mm



We reserve the right to change data, images and drawings without notice.
For more information, you may contact your local dealer or Mase Generators S.p.A.

Mase Generators spa
Via Tortona, 345 - 47522 - Cesena (FC) - Tel. +39 0547 354311
www.masegenerators.com - commercial@masegenerators.com

mase
GENERATORS
Believing in change.



Output power 16 kVA three-phase
Output power 5,3 kVA single-phase

Description

- Silenced power generator
- Diesel engine 1500 rpm
- 40 lt fuel tank

Standard Features

- Auto engine protection shutdown system with warning lights in case of low oil pressure and high cooling water temperature
- Voltmeter
- Hourmeter
- Earth leakage circuit breaker
- Emergency stop button
- Starter battery
- 1 x 32 A, 400 V - 50 Hz EEC three-phase socket
- 1 x 16 A, 400 V - 50 Hz EEC three-phase socket
- 2 x 16A, 230V - 50 Hz EEC single-phase sockets
- Power output protection
- Foreseen for AMF/ATS or Remote control operation
- Fork lift pockets
- Central lifting eye

Options

- Versions with different voltages
- 60Hz version
- Engine heater
- Automatic voltage regulator (AVR)

Accessories on request

- AMF/ATS panel for auto start operation
- GRT2W: two-wheels site tow undercarriage
- Remote Start/Stop kit by cable (20 mt)

Noise level

- Lwa 96 (71 dB a 7 mt)

AC generator - 50Hz

- Type: synchronous
- Three-phase power (max.): 16 kVA - 400 V
- Single-phase power (max.): 5,3 kVA - 230 V
- Power Factor: $\cos \phi$ 0,8

Diesel Engine 1500 rpm

- Type: Yanmar 3TNV88 - 3 cyl. - 18,1 hp (13,5 kWm) - 1642 cm³
- Cooling system: water
- Starting system: electric
- Fuel tank capacity: 40 lt
- Fuel consumption @ 75%: 2,7 lt/h

Other features

- Insulation Class: H
- Ambient temperature: 40 °C (*)
- Altitude: 1000 mt (*)
- Mechanical Protection: IP 23
- Dimensions (L x W x H): 1430 x 690 x 930 mm
- Dry weight: 470 kg

(*) - For altitude and temperature values other than those listed above, please consult the manufacturer to verify the available power.