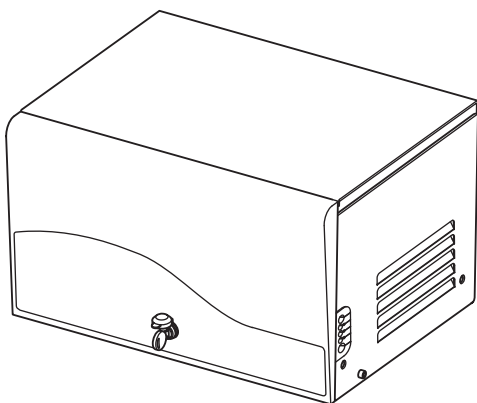


EN	Generator Operating manual	10
DE	Generator Bedienungsanleitung	33
FR	Générateur Notice d'utilisation	59
ES	Generador Instrucciones de uso	85
IT	Generatore Istruzioni per l'uso	111
NL	Generator Gebruiksaanwijzing	136
DA	Generator Betjeningsvejledning	161
SV	Generator Bruksanvisning	184
NO	Generator Bruksanvisning	208
FI	Generaattori Käyttöohje	232
PT	Gerador Manual de instruções	256
RU	Генератор Инструкция по эксплуатации	281
PL	Generator Instrukcja obsługi	307

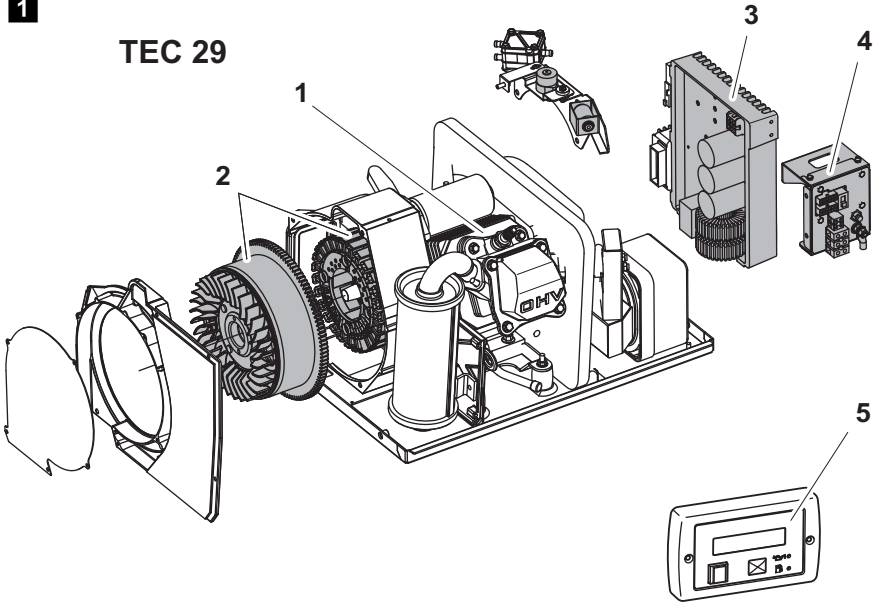


Dometic TEC29, TEC29LPG

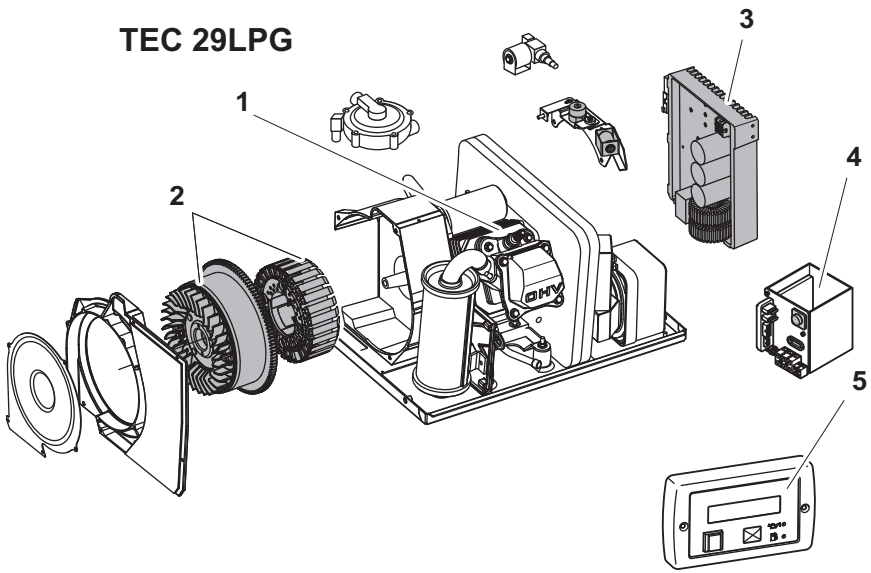
CS	Generátor Návod k obsluze	332
SK	Generátor Návod na obsluhu	356
HU	Generátor Használati utasítás	380

1

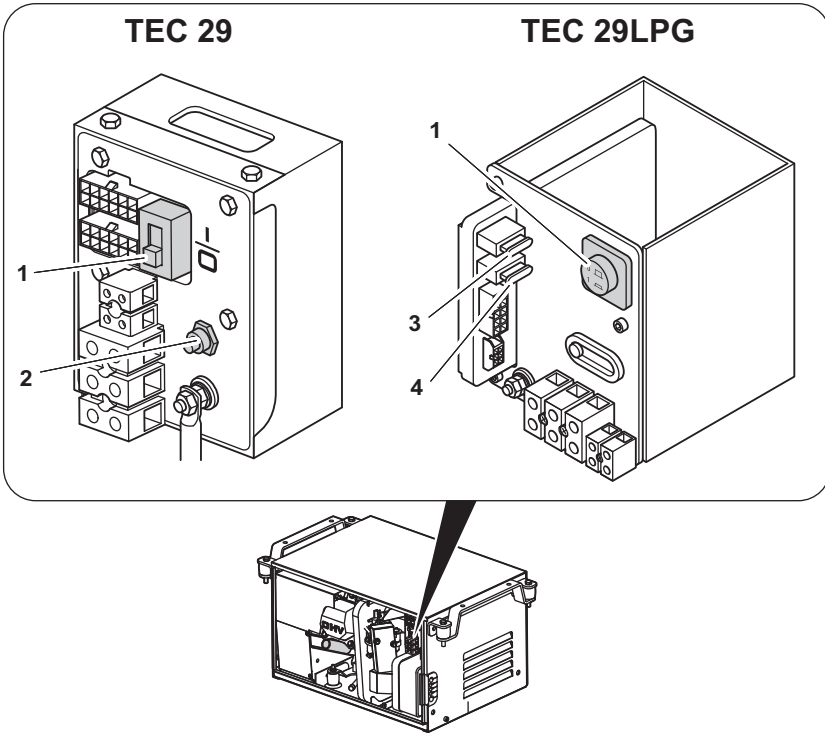
TEC 29



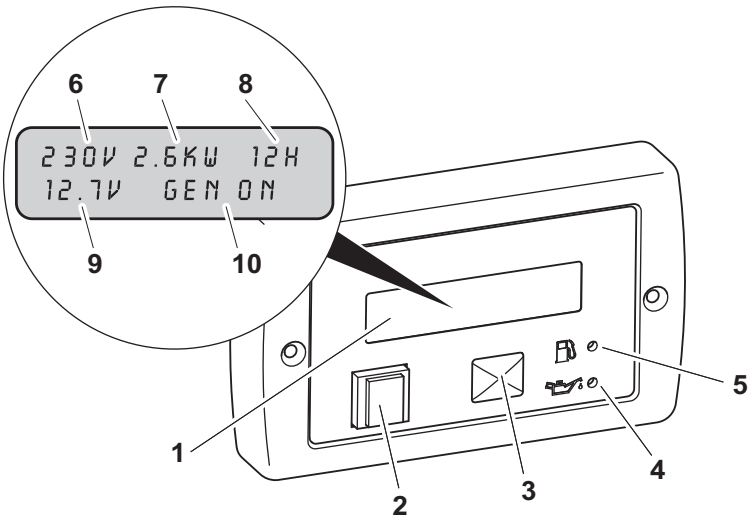
TEC 29LPG

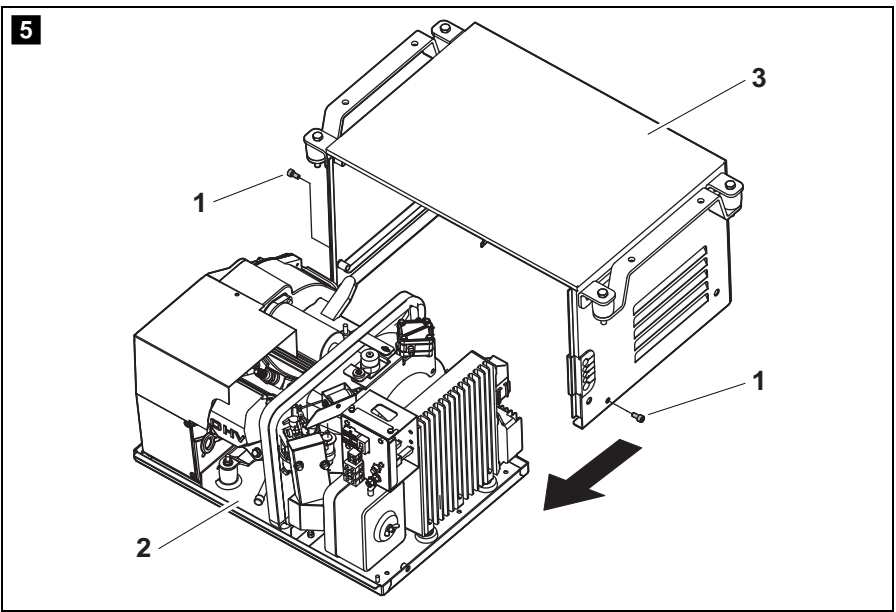
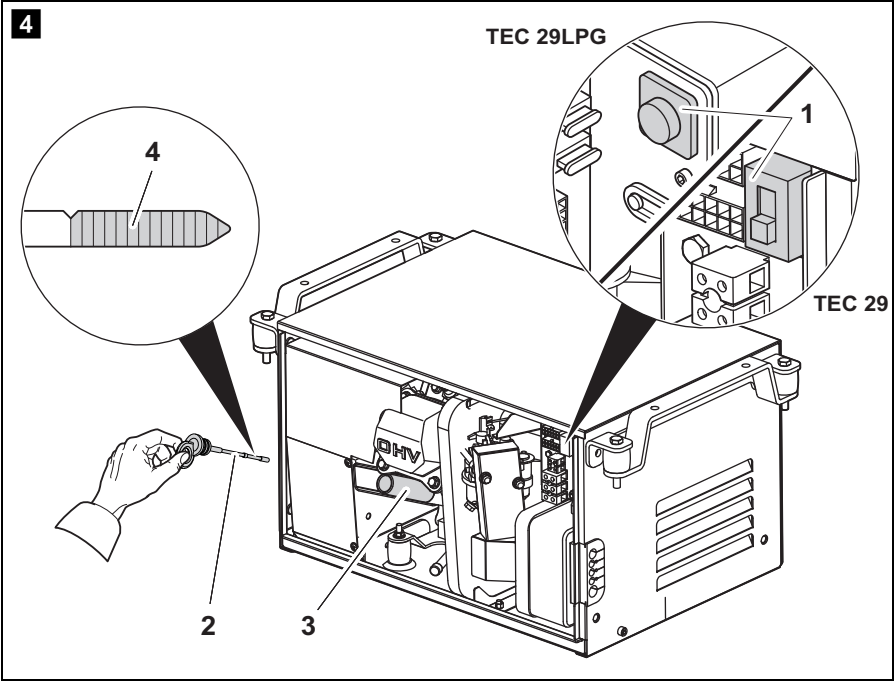


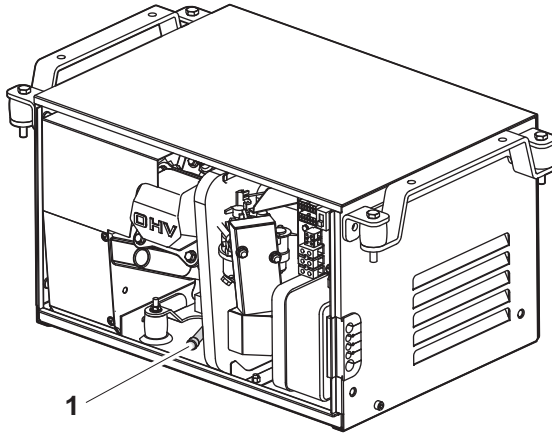
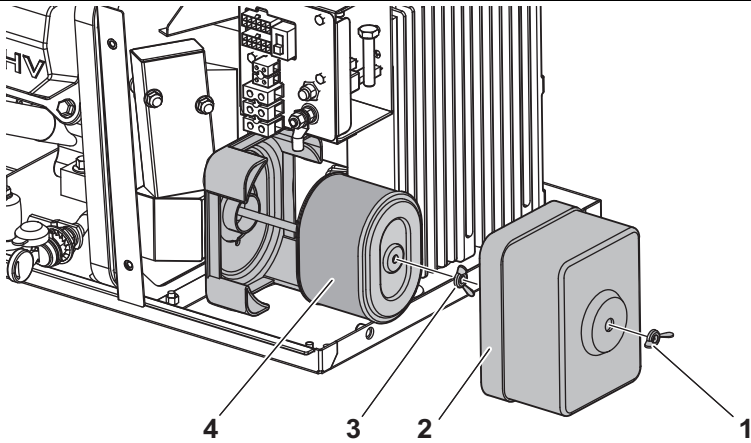
2



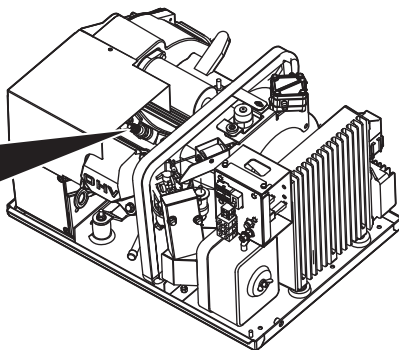
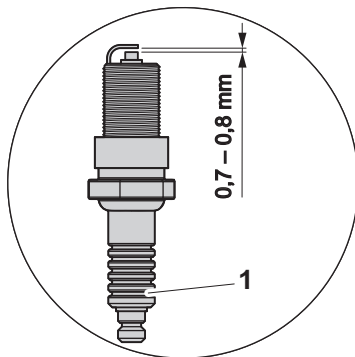
3



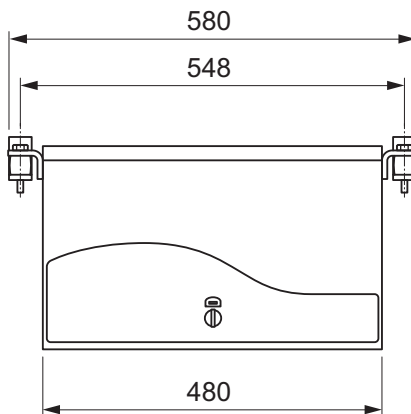
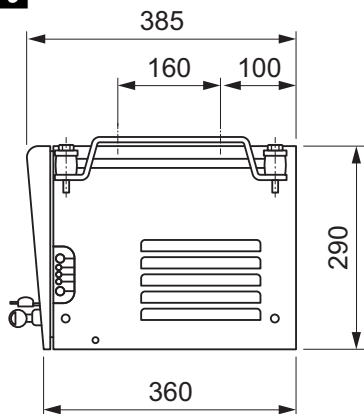


6**7**

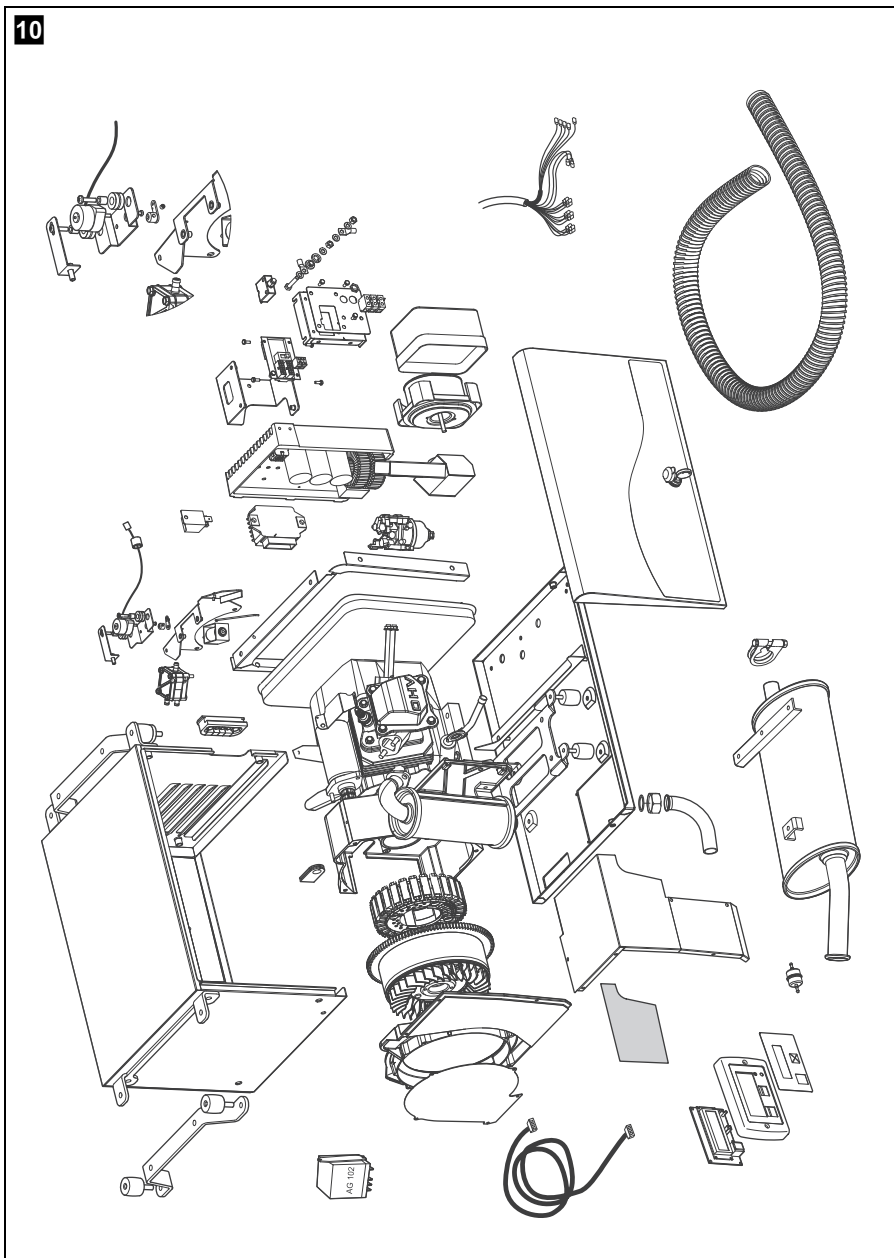
8



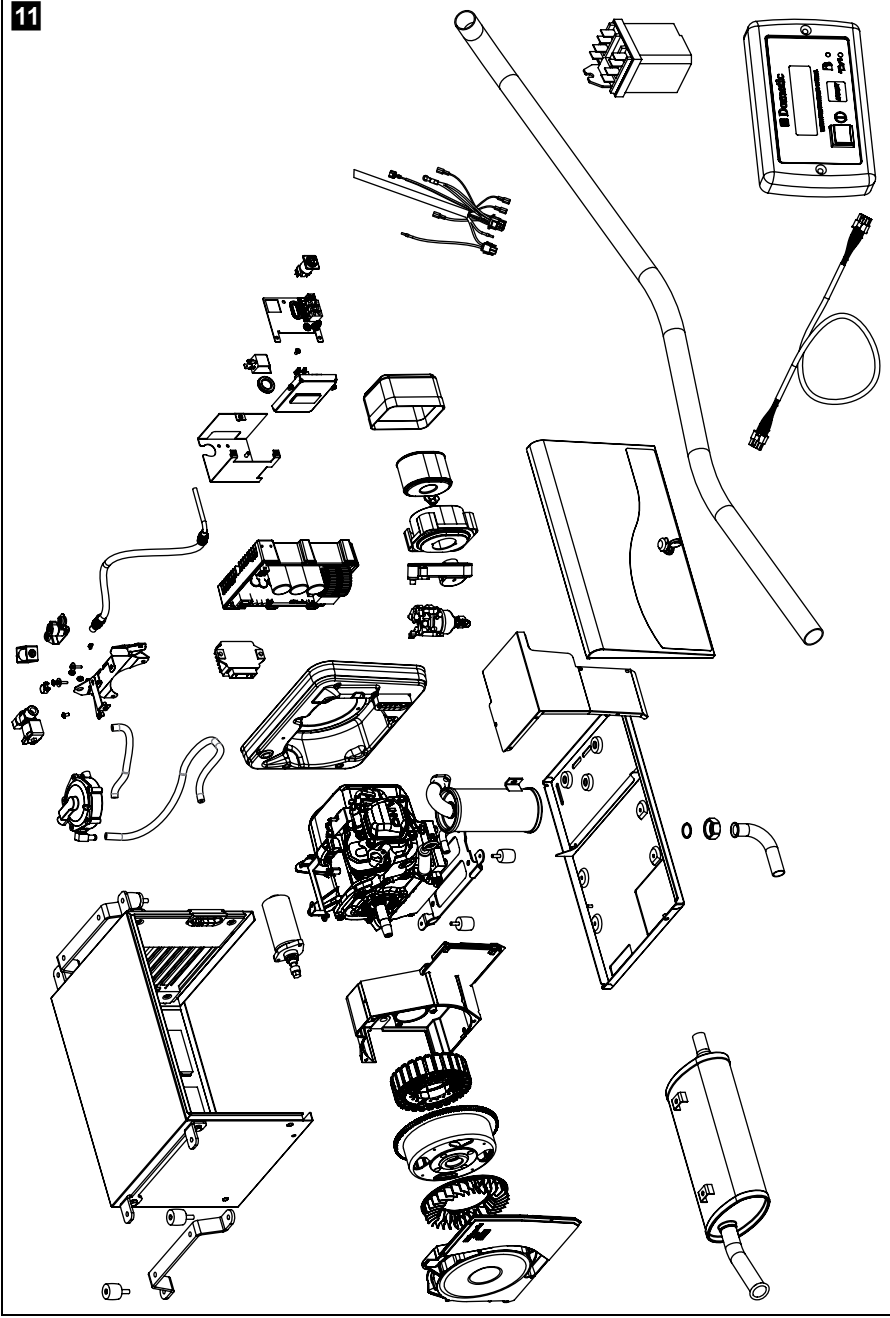
9



10



11



Please read this instruction manual carefully before first use, and store it in a safe place. If you pass on the product to another person, hand over this instruction manual along with it.

Table of contents

1	Explanation of symbols	11
2	Safety instructions	11
3	Target group for this manual	13
4	Scope of delivery	14
5	Accessories	14
6	Intended use	15
7	Technical description	15
8	Operating the generator	17
9	Cleaning the generator	23
10	Servicing the generator	24
11	Troubleshooting	29
12	Warranty	31
13	Disposal	31
14	Technical data	32

1 Explanation of symbols

**WARNING!**

Safety instruction: Failure to observe this instruction can cause fatal or serious injury.

**CAUTION!**

Safety instruction: Failure to observe this instruction can lead to injury.

**NOTICE!**

Failure to observe this instruction can cause material damage and impair the function of the product.

**NOTE**

Supplementary information for operating the product.

- **Action:** This symbol indicates that action is required on your part. The required action is described step-by-step.
- ✓ This symbol describes the result of an action.

Fig. 1 5, page 3: This refers to an element in an illustration. In this case, item 5 in figure 1 on page 3.

2 Safety instructions

The manufacturer accepts no liability for damage in the following cases:

- Damage to the product resulting from mechanical influences and excess voltage
- Alterations to the product without express permission from the manufacturer
- Use for purposes other than those described in the operating manual

In particular, the manufacturer will not be liable for any consequential damage, especially consequential damage caused by failure of the generator.

Note the following basic safety information when using electrical devices to protect against:

- Electric shock
- Fire hazards
- Injury

2.1 General safety



WARNING!

- **Electrical devices are not toys**

Keep electrical devices out of reach of children or infirm persons. Do not allow them to use electrical devices without supervision.

- People (including children) whose physical, sensory or mental capacities prevent them from using this device safely may not be allowed to operate it without the supervision of a responsible adult.
- Only use the device as intended.
- Do not make any alterations or conversions to the device.
- Installation, maintenance and repairs of the generator may only be carried out by qualified personnel who are familiar with the risks involved when handling generators as well as the relevant regulations. Inadequate repairs may cause serious hazards. For repair service, please contact the manufacturer's branch office in your country (addresses on the back page).
- Exhaust fumes contain carbon monoxide which is a highly toxic, odourless and colourless gas. Do not inhale any exhaust fumes. Do not leave the generator motor running in a closed garage or in a room without windows.



CAUTION!

- The generator may only be used with the front door closed.
- Remove all flammable materials such as petrol, paints, solvents, etc., from the vicinity of the generator.
- Ensure that hot parts of the generator do not come in contact with any flammable materials.
- Only refuel the generator when it is switched off and in a well-ventilated area. Petrol and liquid gas are highly flammable and can explode.

- Do not refuel the generator when the vehicle engine is running if the tank is in the vicinity of the generator.
- **TEC29 only:** If petrol is spilled, wipe it up properly and wait until the fumes have cleared before turning on the engine.
- **TEC29LPG only:** Compare the pressure information on the type plate with the pressure information on the liquid gas cylinder.
- **TEC29LPG only:** **Never** store liquid gas cylinders in unventilated areas or below ground level (funnel shaped holes in the ground).
- **TEC29LPG only:** Keep liquid gas cylinders away from direct sunlight. The temperature may not exceed 50 °C.
- Do not touch the generator and the cables with wet hands.
- Replace the fuses or thermo switch using only those with the same technical data.
- Do not switch the generator to automatic mode near any ignition sources (such as petrol stations, dry areas with risk of forest fires).

**NOTICE!**

- **TEC29 only:** Do not fill up the tank too full. Petrol must not be allowed to fill up to the neck of the tank. Check the lid is on properly.

2.2 Operating the device safely

**WARNING!**

- Always disconnect the power supply when working on the device.

**NOTICE!**

- Only operate the device if you are certain that the housing and the cables are undamaged.

3 Target group for this manual

This operating manual is for the user of the generator.

4 Scope of delivery

TEC29

Designation	Item number
TEC29 generator	9102900200
AG 102, changeover relay for making priority circuits	9102900013
Installation manual	
Operating manual	

TEC29LPG

Designation	Item number
TEC29LPG generator	9102900179
AG 102, changeover relay for making priority circuits	9102900013
Installation manual	
Operating manual	

5 Accessories

Available as accessories (not included in the scope of delivery):

Part designation	Item number
TEC29 only: AG 101, tank 15 l, plastic	9102900009
TEC29 only: AG 100, tank 20 l, stainless steel	9102900011
TEC29 only: AG 150, pipe set for AG 100 / AG 101	9102900003
AG 125, flexible metal pipe for extending exhaust pipe, 5 m	9102900138
AG 128, seal for TEC29	9102900040

6 Intended use

The TEC29 (item no. 9102900200) and TEC29LPG (item no. 9102900179) generators are designed for use in motor homes, camper vans and vehicles for commercial use.

The generator is **not** suitable for installation in water vessels.

The generator produces a pure sine wave voltage of 230 V/50 Hz which can be connected to the consumer with a total continuous load of 2600 W. The power quality is also suitable for sensitive consumers (such as PCs).

The generator can charge a 12 V battery.

7 Technical description

The TEC29 and TEC29LPG generators consist of the following main parts (fig. **1**, page 3):

- Combustion engine (**1**)
- Alternator (**2**) with permanent magnets
- Inverter (**3**)
- Internal control panel (**4**)
- Remote control (**5**)

The combustion engine (**1**) drives the alternator (**2**) connected to it, which in turn generates AC voltage.

The inverter (**3**) transforms this AC voltage into a stable voltage of 230 V and 50 Hz.

The terminals, the socket for the connection cable to the remote control (**5**) and the main switch are installed in the internal control panel (**4**).

Overview of the components:

- TEC29: fig. **10**, page 8.
- TEC29LPG: fig. **11**, page 9

The generator has the following features:

- Integrated battery charger for charging the connected battery
- Automatic mode for charging the connected battery automatically (must be configured accordingly when installed)


Control elements in the control panel

The control panel is located on the generator behind the cover.

No. in fig. 2 , page 4	Description	
1	Main switch	Switches the generator to standby or no function.
2	TEC29 only: Cut-out switch	Electromechanical protection against overload.
3	TEC29LPG only: Main fuse	Triggers if the AC voltage overloads. Fuse needs to be replaced if it has triggered.
4	TEC29LPG only: Battery charger fuse	Triggers if the AC voltage overloads. Fuse needs to be replaced if it has triggered.

Control elements in the remote control

The remote control is installed in the vehicle interior.

No. in fig. 3 , page 4	Description	
1	Display	Shows the status reports.
2	On/Off switch 	Switches the remote control on and off if the main switch is at "I" or "1". Stops the generator.
3	START button	Starts the generator if the remote control is switched on and the main switch is at "I" or "1".
4	TEC29 only: Petrol gauge	Lights up if the petrol goes into reserve.
5	Oil gauge	Lights up if the oil level is too low in the engine.

Displays

No. in fig. 3, page 4	Description	
6	AC supply	Actual voltage output
7	Constant output	Current capacity of connected consumer
8	Operating hours	Time the generator is in operation
9	DC voltage	Battery voltage
10	Messages	Status reports of the generator (see chapter "Display messages" on page 19)

8 Operating the generator



NOTICE!

Do not run the generator over 70 % of the maximum constant output for the first 50 operating hours (run-in phase).



NOTE

Run the generator at a maximum of approx. 75 % of the maximum continuous load after the run-in phase.

By doing this you can prolong the service life of the generator and maximise its efficiency.

8.1 Basic notes on operation



CAUTION! Beware of injury

Do not insert your fingers or objects into the air nozzles or the intake grille.

Please note the following basic information:

- Always check the oil level before use (chapter "Checking the oil level" on page 21).
- **TEC29LPG only:** Check there are no leaks from the gas supply using a leak detection spray before every use.
- Even small overloads in the long-run will cause the cut-out switch (**TEC29**) or the fuses (**TEC29LPG**) to trigger.

- Leave the generator running for a few minutes after use without any consumers before stopping it.
- Abrupt braking, accelerating and driving round bends in the vehicle can cause problems in the generator's pump system and lead to unwanted shutdown.
- If you are not using your generator for a longer period of time, start it up at least every 30 days and leave it running for 15 minutes or more.

8.2 Switching the generator to standby or no function

The generator can be switched to standby or no function with the main switch (fig. **2** 1, page 4) in the control panel.

8.3 Switching the remote control on and off

This switch on the remote control (fig. **3** 2, page 4) is for switching the remote control on and off.

➤ Switch the remote control on with the on/off switch.

✓ The display shows: *GEN OFF*.

The display switches off automatically after 5 minutes if the start button is not touched within this time.

Press the start button to switch on the display again.

✓ The generator can now be started.

8.4 Starting the generator

The generator can only be started if it is in standby and the remote control is switched on.



NOTE

If the generator is still warm, press the start button briefly to start it; press longer for a cold generator.

➤ Start up the generator with the start button (fig. **3** 3, page 4).

8.5 Stopping the generator

- Stop the generator with the on/off switch (fig. **3** 2, page 4).

If the generator does not stop: switch it off with the main switch (fig. **2** 1, page 4).

8.6 Display messages

Display message Description	Generator behaviour	Measures
<i>LOW BATTERY</i> The battery voltage has fallen below the minimum value for starting up (9V).	The generator does not start.	Charge the battery.
<i>OIL CHANGE</i> The number of prescribed operating hours has been reached for changing the engine oil.	The generator continues to run.	Change the oil (see chapter "Changing the oil (fig. 6 , page 6)" on page 26), then restart the generator by pressing and holding down the start button.
<i>NO FUEL</i> The fuel in the tank is in reserve.	The generator continues to run.	Refuel.
<i>OIL ALERT</i> Insufficient engine oil.	The generator stops.	Fill up with oil (see chapter "Checking the oil level" on page 21).
<i>GENERATOR ALERT!</i> General alarm message Example: The control ring on the throttle valve of the carburettor (stepper motor) is faulty.	The generator stops.	Check the system by referring to the troubleshooting table. If the problem persists, contact the manufacturer's branch office in your country (addresses on the back page).
<i>OVERLOAD!</i> The consumers generate an overload at the output.	The inverter switches off, therefore no voltage is supplied but the engine carries on running until it goes off.	Reduce the connected load and start the generator again.
<i>SHORT CIRCUIT</i> The consumers cause a short circuit at the output.	The inverter switches off, therefore no voltage is supplied but the engine carries on running until it goes off.	Check the connected consumers then start the generator again.

Display message Description	Generator behaviour	Measures
<i>OVER TEMPERATURE</i> Overheating	The inverter switches off so no voltage is supplied to cool the generator, but the engine carries on running.	Leave the engine to cool down for a few minutes then start the generator again.
<i>LOW POWER ENGINE</i> The inverter supply voltage has dropped.	The generator stops.	Reduce the connected load and start the generator again.
<i>RESTART GEN?</i> Message appears after the generator has stopped due to overheating.	The generator is switched off.	Press the start button to restart the generator.
<i>GEN CAL</i> Message appears when the generator is started up; it shows the calibration phase which takes place before each start-up. The generator does not supply any voltage.	The generator is running but does not supply any voltage.	Wait a moment.
<i>GEN WAIT</i> Message appears while you are waiting for the generator to start again.	The generator is switched off.	Wait until the message has disappeared then attempt ignition again.
<i>GEN ON</i> The generator is operating normally.	Normal mode	–
<i>GEN OFF</i>	The generator is in stand-by and can be started.	–
<i>AUTO?</i> Message appears when the automatic mode is switched on.	Controls are waiting for user input	Press the start button within 20 seconds and hold down for 3 seconds.
<i>AUTO</i> Automatic mode	The automatic mode is switched on	–

8.7 Checking the oil level



CAUTION!

Hot oil can cause burns.
Only check the oil level when the generator is switched off.



NOTE

The generator must be level.

Always check the oil level before use. To do this, proceed as follows:

- Open the generator front door.
- Switch the generator to no function with the main switch (fig. **4** 1, page 5).
- Disconnect the positive terminal of the supply battery.
- Take the dipstick (fig. **4** 2, page 5) out of the filler neck (fig. **4** 3, page 5).
- Clean the dipstick (fig. **4** 2, page 5) with a cloth.
- Put the dipstick (fig. **4** 2, page 5) back into the filler neck (fig. **4** 3, page 5).
- Take the dipstick (fig. **4** 2, page 5) out of the filler neck.
- Check that the oil level is between the notch (maximum filling level) and the tip of the dipstick (fig. **4** 4, page 5).
If not, top up with more oil.
- Put the dipstick (fig. **4** 2, page 5) back into the filler neck (fig. **4** 3, page 5).
- Connect the generator to the positive terminal of the supply battery.
- Switch the generator to standby with the main switch (fig. **4** 1, page 5).
- Close the generator front door.

8.8 Switching to automatic mode

You can only switch to automatic mode:

- if it was configured when the generator was installed
- if the vehicle is stationary and the ignition is switched off
- if the automatic mode switch (if available) is switched on

In automatic mode, the generator switches on automatically and charges the battery if the voltage of the connected battery is too low.

The generator switches off automatically once the battery has been fully charged.

To switch on the automatic mode:

- Switch on the automatic mode switch (if available).
 - Switch the ignition off.
 - Switch the remote control on by pressing the on/off switch.
- ✓ The display shows: *AUTO?*



NOTE

If *GEN OFF* appears on the display instead of *AUTO?*, the automatic mode is not configured for your generator. If this is the case, contact the specialist workshop which installed the generator and have the automatic mode retrofitted.

- Press the start button within 20 seconds and hold it down for 3 seconds.
- ✓ The display shows: *AUTO*.
- The automatic mode is switched on.



NOTE

In automatic mode, you cannot start the generator with the start button. The generator does not start automatically. You can switch the generator on and off with the automatic mode switch (if available).

8.9 Switching off the automatic mode

- Switch off the automatic mode switch (if available).

or

- Switch on the ignition.
- ✓ The display shows: *GEN OFF*.

9 Cleaning the generator



NOTICE! Beware of damage

- Do not clean the generator with a high-pressure cleaner. Exposure to water can damage the generator.
 - Do not use sharp or hard objects or cleaning agents for cleaning as these may damage the generator.
 - To clean the generator, use water with a gentle cleaning agent. Never use petrol, diesel or solvents.
- Clean the generator with a damp cloth from time to time.
 - Remove any dirt from the air vents in the generator at regular intervals. Make sure you do not damage the grilles of the generator in the process.

10 Servicing the generator

10.1 Maintenance table



WARNING!

Only have maintenance work carried out by specialist personnel who are familiar with the relevant regulations. Inadequate maintenance may cause serious hazards.



NOTE

Have the following maintenance work performed at regular intervals or after the specified number of operating hours, whichever is sooner.

Interval	Inspection/maintenance
In the first month or after 20 hours	<ul style="list-style-type: none"> ➤ Change the oil. ➤ Check the air filter (chapter “Servicing the air filter (fig. 7, page 6)” on page 27).
Every 3 months or after 50 hours	<ul style="list-style-type: none"> ➤ Check the air filter (chapter “Servicing the air filter (fig. 7, page 6)” on page 27).
Every 6 months or after 100 hours	<ul style="list-style-type: none"> ➤ Change the oil. ➤ Check the spark plug (chapter “Servicing the spark plugs” on page 28).
Once a year or every 300 hours	<ul style="list-style-type: none"> ➤ Check the valves’ adjustment. ➤ TEC29 only: Check the fuel tank and fuel filter. ➤ Check the vibration damper.
Every two years	<ul style="list-style-type: none"> ➤ TEC29 only: Check the petrol supply lines. ➤ TEC29LPG only: Check the gas supply lines.

10.2 Preparing maintenance work



CAUTION!

Note the following for all maintenance work:

- The generator must not be running.
- All the parts must be cooled down.

- Switch the generator to no function with the main switch (fig. **4** 1, page 5).
- Disconnect the positive terminal of the supply battery.
- Open the generator front door.

For maintenance work, you can take the generator out (fig. **5**, page 5):



WARNING!

The mounting plate with generator is very heavy (> 40 kg) and could fall out the housing if you take it out too far.

- Undo the fastening screws (1).
- Remove the mounting plate (2) with the generator from the housing (3).

10.3 Finishing maintenance work

- Connect the generator to the positive terminal of the supply battery.
- Switch the generator to standby with the main switch (fig. **4** 1, page 5).
- Close the generator front door.

10.4 Changing the oil (fig. 6, page 6)

**CAUTION!**

Hot oil can cause burns.

**NOTICE!**

Only dispose of used oil at a specialist recycling station and observe the local laws for environmental protection.

You may use the following oil:

- API SG or SF grade oil for four-stroke engines.
- SAE 10W-30 grade oil (can be used at any temperature).
- Oil with single grade oil viscosity.
Select the appropriate viscosity according to the average temperature on-site.

Change the oil as follows:

- Allow the generator to run until warm so that the oil can drain off faster and completely.
- Place a suitable receptacle under the drain plug (1).
- Take out the drain plug (1).
- ✓ The oil drains off.
- Pour fresh oil into the nozzle.
The amount of oil is: 0.6 l.

10.5 Servicing the air filter (fig. 7, page 6)

**WARNING! Danger of explosions**

Do not use diesel oil or solvents with low boiling points for cleaning the air filter. They could ignite or explode.

**NOTICE!**

Never leave the engine running without an air filter. Otherwise this quickly wears out the engine.

**NOTE**

If the air filter is dirty, the air flow to the carburettor is reduced. Check the filter regularly so that the carburettor can function properly. Check this more frequently if the generator is being used in particularly dusty environments.

- Prepare the maintenance work and pull the generator out of the housing slightly: see chapter “Preparing maintenance work” on page 25.
- Remove the butterfly nut (1) and the filter cover (2).
- Remove the butterfly nut (3).
- Take out the air filter (4).
The air filter consists of two parts: a sponge filter and a paper filter.
- Check the condition of both parts of the filter carefully. Replace the damaged filter parts.
- Clean the undamaged filter parts; see the following section.
- Finish the maintenance work, see chapter “Finishing maintenance work” on page 25.

Cleaning the sponge filter

- Wash the sponge with a neutral detergent solution and rinse it thoroughly.
- Leave the sponge to dry completely.
- Soak the sponge in fresh engine oil.
- Squeeze out the excess oil.

Cleaning the paper filter

- Knock the dirt off the paper by banging it lightly on a hard surface or use compressed air to blow through the filter.

Do **not** brush the paper as this will push the dirt into the fibres of the paper filter.

- Change the paper filter if it is heavily soiled.

10.6 Servicing the spark plugs



NOTICE!

- Screw the spark plugs in carefully. A loose spark plug can get very hot and damage the engine.
- Only use the same type of spark plugs.
- When you insert a new spark plug, screw it in by 1/2 a turn once it is firmly on the washer. If you are using used spark plugs, turning them 1/8 or 1/4 is suffice.

- Prepare the maintenance work, see chapter “Preparing maintenance work” on page 25.
- Remove the spark plug connector.
- Remove the spark plug using a spark plug wrench.
- Make a visual inspection of the spark plugs.
Replace the spark plug if it is clearly worn or the isolator is damaged or broken.
If the spark plug is just dirty, clean it with a steel brush.
- Measure the distance between the electrodes with a thickness gauge (fig. **8**, page 7). It must be 0.7 – 0.8 mm and can be corrected by bending the electrode if necessary.
- Check whether the spark plug seal is intact.
- If so, screw in the spark plugs by hand to avoid damaging the thread.
- Tighten the spark plugs using a spark plug wrench so that the washer is pressed together.
- Finish the maintenance work, see chapter “Finishing maintenance work” on page 25.

11 Troubleshooting

Fault	Cause	Remedy
The remote control does not come on when the on/off switch is pressed.	Starter battery is flat.	➤ Charge the starter battery.
	Power cable is disconnected or the plug is removed.	➤ Contact an authorised workshop.
	Generator earth cable is disconnected or the fuse (if available) is blown.	
The starter does not work when the start button is pressed.	Starter battery is flat.	➤ Charge the starter battery.
	The main switch is at "0".	➤ Set the main switch to "I" or "1".
	Starter shaft is dirty.	➤ Clean the starter shaft.
	Too much oil in the engine.	➤ Drain the oil.
	Inverter is damaged.	➤ Contact an authorised workshop.
	Power cable is disconnected or the plug is removed.	
	Generator earth cable is disconnected or the fuse (if available) is blown.	
Starter is not receiving any power.		
The starter turns but the generator does not start.	No petrol/LPG.	➤ Fill up with petrol/LPG.
	Spark plug is not receiving any power.	➤ Check the electric connections.
	Carburettor is not receiving any petrol.	➤ Clean the carburettor.
	Air intake is blocked.	➤ Check the air filter (see chapter "Servicing the air filter (fig. 7, page 6)" on page 27).
	The ambient temperature is below 0 °C.	➤ Use pure propane gas.
	Inverter is damaged.	➤ Contact an authorised workshop.
	Power cable is disconnected or the plug is removed.	

Fault	Cause	Remedy
The generator tends to stall.	Too much oil in the engine.	➤ Drain the oil.
	Load is over 2.6 kW.	➤ Reduce the consumers.
	Carburettor is not receiving any petrol.	➤ Clean the carburettor.
	Air intake is blocked.	➤ Check the air filter (see chapter "Servicing the air filter (fig. 74, page 6)" on page 27).
	Inverter is damaged.	➤ Contact an authorised workshop.
	Electromagnet is blocked.	
	Air filter is dirty.	
The generator is running but does not supply any voltage.	Inverter is damaged.	➤ Contact an authorised workshop.
	The stepper motor is faulty or the cable is disconnected.	
	Electromagnet is blocked.	
The generator starts up very fast and then the "GENERATOR ALERT" message appears.	The throttle valve is blocked.	
	Inverter is damaged.	➤ Contact an authorised workshop.
	The stepper motor is faulty or the cable is disconnected.	
The generated voltage is unstable.	Inverter is damaged.	➤ Contact an authorised workshop.
	The stepper motor is faulty or the cable is disconnected.	

12 Warranty

The statutory warranty period applies. If the product is defective, please contact the service partner in your country (addresses on the back on the instruction manual).

Our experts will be happy to help you and will discuss the warranty process with you in more detail.

13 Disposal

- Place the packaging material in the appropriate recycling waste bins wherever possible.




If you wish to finally dispose of the product, ask your local recycling centre or specialist dealer for details about how to do this in accordance with the applicable disposal regulations.



Protect the environment!

Do not dispose of any batteries with general household waste. Return defective or used batteries to your retailer or dispose of them at collection points.

14 Technical data

	Dometic TEC29	Dometic TEC29LPG
Item no.:	9102900200	9102900179
Rated output voltage:	230 V~ / 50 Hz	
Max. constant output (at 25 °C at sea level):	2600 W	
Battery charger output voltage:	12 V ===	
Battery charger max. output current:	10 A	
Operating temperature range:	-15 °C to +50 °C	-15 °C to +50 °C (depending on propane content of LPG)
Distortion factor:	1 %	
Fuel:	RON 91 regular grade petrol	Liquid gas LPG
Consumption:	300 g/kWh max. 1.2 l/h	408 g/kWh max. 1.0 kg/h
Motor output:	4.0 kW (5.5 PS)	
Guaranteed sound level:	86 dB(A)	
Sound level at distance of 7 m:	54 – 59 dB(A)	
Dimensions:	see fig. 9 , page 7	
Weight:	44 kg	
Inspection/certification:		

Bitte lesen Sie diese Anleitung vor der Inbetriebnahme sorgfältig durch und bewahren Sie sie auf. Geben Sie sie im Falle einer Weitergabe des Produktes an den Nutzer weiter.

Inhaltsverzeichnis

1	Erklärung der Symbole	33
2	Sicherheitshinweise	34
3	Zielgruppe dieser Anleitung	37
4	Lieferumfang	37
5	Zubehör	38
6	Bestimmungsgemäßer Gebrauch	38
7	Technische Beschreibung	39
8	Generator bedienen	41
9	Generator reinigen	48
10	Generator warten	49
11	Störungen beseitigen	55
12	Gewährleistung	57
13	Entsorgung	57
14	Technische Daten	58

1 Erklärung der Symbole



WARNUNG!

Sicherheitshinweis: Nichtbeachtung kann zu Tod oder schwerer Verletzung führen.



VORSICHT!

Sicherheitshinweis: Nichtbeachtung kann zu Verletzungen führen.

**ACHTUNG!**

Nichtbeachtung kann zu Materialschäden führen und die Funktion des Produktes beeinträchtigen.

**HINWEIS**

Ergänzende Informationen zur Bedienung des Produktes.

- **Handlung:** Dieses Symbol zeigt Ihnen, dass Sie etwas tun müssen. Die erforderlichen Handlungen werden Schritt für Schritt beschrieben.
- ✓ Dieses Symbol beschreibt das Ergebnis einer Handlung.

Abb. 1 5, Seite 3: Diese Angabe weist Sie auf ein Element in einer Abbildung hin, in diesem Beispiel auf „Position 5 in Abbildung 1 auf Seite 3“.

2 Sicherheitshinweise

Der Hersteller übernimmt in folgenden Fällen keine Haftung für Schäden:

- Beschädigungen am Produkt durch mechanische Einflüsse und Überspannungen
- Veränderungen am Produkt ohne ausdrückliche Genehmigung vom Hersteller
- Verwendung für andere als die in der Anleitung beschriebenen Zwecke

Er haftet insbesondere nicht für jegliche Folgeschäden, insbesondere auch nicht für Folgeschäden, die durch den Ausfall des Generators entstehen können.

Beachten Sie folgende grundsätzliche Sicherheitsmaßnahmen beim Gebrauch von elektrischen Geräten zum Schutz vor:

- elektrischem Schlag
- Brandgefahr
- Verletzungen

2.1 Grundlegende Sicherheit



WARNUNG!

- **Elektrogeräte sind kein Kinderspielzeug!**
Kinder können Gefahren, die von elektrischen Geräten ausgehen, nicht richtig einschätzen. Lassen Sie Kinder nicht ohne Aufsicht elektrische Geräte benutzen.
- Personen (einschließlich Kinder), die aufgrund ihrer physischen, sensorischen oder geistigen Fähigkeiten oder ihrer Unerfahrenheit oder Unkenntnis nicht in der Lage sind, das Gerät sicher zu benutzen, sollten dieses Gerät nicht ohne Aufsicht oder Anweisung durch eine verantwortliche Person nutzen.
- Benutzen Sie das Gerät nur zu seinem bestimmungsgemäßen Gebrauch.
- Führen Sie keine Änderungen oder Umbauten am Gerät durch!
- Die Installation, Wartung und Reparaturen des Generators dürfen nur von Fachkräften durchgeführt werden, die mit den Gefahren beim Umgang mit Generatoren sowie den einschlägigen Vorschriften vertraut sind. Durch unsachgemäße Reparaturen können erhebliche Gefahren entstehen. Wenden Sie sich im Reparaturfall an die Niederlassung des Herstellers in Ihrem Land (Adressen auf der Rückseite).
- Die Abgase enthalten Kohlenmonoxid, ein äußerst giftiges, geruchloses und farbloses Gas. Atmen Sie die Abgase nicht ein. Lassen Sie den Motor des Generators nicht in einer geschlossenen Garage oder in einem fensterlosen Raum laufen.



VORSICHT!

- Der Generator darf ausschließlich bei geschlossener Klappe benutzt werden.
- Entfernen Sie alle leicht brennbaren Materialien wie Benzin, Lacke, Lösungsmittel usw. aus der Nähe des Generators.
- Vergewissern Sie sich, dass keine heiß werdenden Teile des Generators mit leicht brennbaren Materialien in Berührung kommen.
- Tanken Sie den Generator nur abgeschaltet und in einem gut belüfteten Bereich auf. Benzin und Flüssiggas sind hoch entzündlich und können explodieren.

- Tanken Sie den Generator nicht bei angestelltem Fahrzeugmotor, wenn sich der Tank in der Nähe des Generators befindet.
- **Nur TEC29:** Wenn Benzin verschüttet wird, wischen Sie es gut auf und warten Sie vor dem Einschalten des Motors, bis sich die Dämpfe verzogen haben.
- **Nur TEC29LPG:** Vergleichen Sie die Druckangabe auf dem Typenschild mit der Druckangabe auf der Flüssiggasflasche.
- **Nur TEC29LPG:** Bewahren Sie Flüssiggasflaschen **niemals** an unbelüfteten Plätzen oder unterhalb Bodenniveau (trichterförmige Erdmulden) auf.
- **Nur TEC29LPG:** Schützen Sie Flüssiggasflaschen vor direkter Sonneneinstrahlung. Die Temperatur darf 50 °C nicht überschreiten.
- Berühren Sie den Generator und die Leitungen nicht mit feuchten Händen.
- Ersetzen Sie die Sicherungen oder Thermoschalter nur durch solche mit denselben technischen Daten.
- Schalten Sie den Generator nicht in der Nähe von Zündquellen (z. B. Tankstellen, in trockenem Gelände mit Waldbrandgefahr) in den Automatikbetrieb.

**ACHTUNG!**

- **Nur TEC29:** Füllen Sie den Benzintank nicht zu voll. Im Hals des Tanks darf sich kein Benzin befinden. Kontrollieren Sie, ob der Deckel richtig geschlossen ist.

2.2 Sicherheit beim Betrieb des Gerätes

**WARNUNG!**

- Unterbrechen Sie bei Arbeiten am Gerät immer die Stromversorgung.

**ACHTUNG!**

- Betreiben Sie das Gerät nur, wenn das Gehäuse und die Leitungen unbeschädigt sind.

3 Zielgruppe dieser Anleitung

Diese Bedienungsanleitung wendet sich an den Anwender des Generators.

4 Lieferumfang

TEC29

Bezeichnung	Artikelnummer
Generator TEC29	9102900200
AG 102, Umschaltrelais zur Realisierung einer Vorrangschaltung	9102900013
Einbauanleitung	
Bedienungsanleitung	

TEC29LPG

Bezeichnung	Artikelnummer
Generator TEC29LPG	9102900179
AG 102, Umschaltrelais zur Realisierung einer Vorrangschaltung	9102900013
Einbauanleitung	
Bedienungsanleitung	

5 Zubehör

Als Zubehör erhältlich (nicht im Lieferumfang enthalten):

Teilebezeichnung	Artikelnummer
Nur TEC29: AG 101, Tank 15 l, Kunststoff	9102900009
Nur TEC29: AG 100, Tank 20 l, Edelstahl	9102900011
Nur TEC29: AG 150, Schlauch-Set für AG 100 / AG 101	9102900003
AG 125, flexibler Metallschlauch zur Verlängerung der Abgasleitung, 5 m	9102900138
AG 128, Dichtung für TEC29	9102900040

6 Bestimmungsgemäßer Gebrauch

Die Generatoren TEC29 (Art.-Nr. 9102900200) und TEC29LPG (Art.-Nr. 9102900179) sind ausgelegt für die Verwendung in Wohnwagen, Wohnmobilen und kommerziell genutzten Fahrzeugen.

Der Generator ist **nicht** für die Installation in Wasserfahrzeugen geeignet.

Der Generator erzeugt eine reine Sinus-Wechselspannung von 230 V/50 Hz, an die Verbraucher mit einer Gesamtdauerlast von 2600 W angeschlossen werden können. Die Stromqualität ist auch für empfindliche Verbraucher (z. B. PCs) geeignet.

Der Generator kann eine 12-V-Batterie aufladen.

7 Technische Beschreibung

Die Generatoren TEC29 und TEC29LPG bestehen aus folgenden Hauptelementen (Abb. **1**, Seite 3):

- Verbrennungsmotor (**1**)
- Drehstromgenerator (**2**) mit Dauermagneten
- Inverter (**3**)
- Anschlusspanel (**4**)
- Fernbedienung (**5**)

Der Verbrennungsmotor (**1**) versetzt den fest mit ihm verbundenen Drehstromgenerator (**2**) in Drehung, und dieser erzeugt eine Wechselspannung.

Der Inverter (**3**) formt diese Wechselspannung zu einer stabilen Spannung von 230 V und 50 Hz.

Am Anschlusspanel (**4**) sind die Anschlussklemmen, die Buchse für das Anschlusskabel an der Fernbedienung (**5**) und der Hauptschalter angebracht.

Übersicht aller Bauteile:

- TEC29: Abb. **10**, Seite 8.
- TEC29LPG: Abb. **11**, Seite 9

Der Generator bietet folgende Möglichkeiten:

- Integrierter Batterielader zum Aufladen der angeschlossenen Batterie
- Automatikbetrieb zum automatischen Aufladen der angeschlossenen Batterie (muss beim Einbau entsprechend konfiguriert sein).

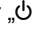
Bedienelemente am Anschlusspanel

Das Anschlusspanel befindet sich am Generator hinter der Abdeckhaube.

Pos. in Abb. 2 , Seite 4	Beschreibung	
1	Hauptschalter	Schaltet den Generator betriebsbereit oder funktionslos.
2	Nur TEC29: Schutzschalter	Elektromechanischer Schutz gegen Überlast.
3	Nur TEC29LPG: Hauptsicherung	Löst aus bei Überlast der Wechselspannungsseite. Schmelzsicherung muss ausgetauscht werden, wenn sie ausgelöst hat.
4	Nur TEC29LPG: Sicherung Batterielader	Löst aus bei Überlast der Gleichspannungsseite. Schmelzsicherung muss ausgetauscht werden, wenn sie ausgelöst hat.

Bedienelemente an der Fernbedienung

Die Fernbedienung ist im Fahrzeuginneren angebracht.

Pos. in Abb. 3 , Seite 4	Beschreibung	
1	Display	Zeigt Statusmeldungen an.
2	Ein-/Ausschalter „  “	Schaltet die Fernbedienung ein und aus, wenn der Hauptschalter auf „I“ bzw. „1“ steht. Stoppt den Generator.
3	Starttaster „START“	Startet den Generator, wenn die Fernbedienung eingeschaltet ist und der Hauptschalter auf „I“ bzw. „1“ steht.
4	Nur TEC29: Benzinanzeige	Leuchtet, wenn das Benzin auf Reserve steht.
5	Ölanzeige	Leuchtet, wenn der Ölstand im Motor zu gering ist.

Displayanzeigen

Pos. in Abb. 3 , Seite 4	Beschreibung	
6	Wechselspannung	Aktuelle Ausgangsspannung
7	Dauerleistung	Aktuelle Leistung der angeschlossenen Verbraucher
8	Betriebsstunden	Zeit, die der Generator im Betrieb ist
9	Gleichspannung	Batteriespannung
10	Meldungen	Statusmeldung des Generators (siehe Kapitel „Displaymeldungen“ auf Seite 44)

8 Generator bedienen



ACHTUNG!

Beanspruchen Sie den Generator in den ersten 50 Betriebsstunden (Einlaufphase), nicht über 70 % der maximalen Dauerleistung.



HINWEIS

Beanspruchen Sie den Generator nach der Einlaufphase maximal mit einer Last von ca. 75 % der maximalen Dauerleistung. So können Sie die Lebensdauer des Generators verlängern und seine Leistung maximieren.

8.1 Grundsätzliche Hinweise zur Bedienung



VORSICHT! Verletzungsgefahr!

Stecken Sie keine Finger oder Gegenstände in die Luftdüsen oder das Ansauggitter.

Beachten Sie folgende grundsätzliche Hinweise:

- Kontrollieren Sie vor jeder Verwendung den Ölstand (Kapitel „Ölstand kontrollieren“ auf Seite 46).
- **Nur TEC29LPG:** Kontrollieren Sie vor jeder Verwendung mit Lecksuchspray die Dichtheit der Gaszufuhr.

- Auch geringe Überlastungen führen auf Dauer zum Ansprechen des Schutzschalters (**TEC 29**) oder der Sicherungen (**TEC29LPG**).
- Lassen Sie den Generator nach dem Gebrauch einige Minuten ohne Verbraucher in Betrieb, bevor Sie ihn stoppen.
- Scharfes Abbremsen, Beschleunigen und Kurvenfahrten des Fahrzeugs können Probleme im Pumpsystem des Generators hervorrufen und zu seinem ungewollten Ausschalten führen.
- Wenn Sie den Generator für längere Zeit nicht benutzen, starten Sie ihn mindestens alle 30 Tage und lassen Sie ihn mindestens 15 Minuten laufen.

8.2 Generator betriebsbereit oder funktionslos schalten

Mit dem Hauptschalter (Abb. **2** 1, Seite 4) am Anschlusspanel wird der Generator betriebsbereit oder funktionslos geschaltet.

8.3 Fernbedienung ein- und ausschalten

Mit dem Ein-/Ausschalter (Abb. **3** 2, Seite 4) an der Fernbedienung wird die Fernbedienung ein- und ausgeschaltet.

- Schalten Sie mit dem Ein-/Ausschalter die Fernbedienung ein.
- ✓ Das Display zeigt: *GEN OFF*.
Das Display schaltet sich nach 5 min automatisch aus, wenn innerhalb dieser Zeit der Starttaster nicht betätigt wurde.
Durch Drücken des Starttasters können Sie das Display wieder einschalten.
- ✓ Der Generator kann nun gestartet werden.

8.4 Generator starten

Der Generator kann nur gestartet werden, wenn er betriebsbereit geschaltet ist und wenn die Fernbedienung eingeschaltet ist.



HINWEIS

Bei noch warmem Generator drücken Sie zum Anlassen nur kurz auf den Starttaster, bei kaltem Generator länger.

- Starten Sie den Generator mit dem Starttaster (Abb. **3** 3, Seite 4).

8.5 Generator stoppen

- Stoppen Sie den Generator mit dem Ein-Ausschalter (Abb. **3** 2, Seite 4).
Wenn der Generator nicht stoppt: Schalten Sie ihn mit dem Hauptschalter (Abb. **2** 1, Seite 4) aus.

8.6 Displaymeldungen

Displaymeldung Beschreibung	Verhalten des Generators	Maßnahmen
<p><i>LOW BATTERY</i></p> <p>Die Batteriespannung ist unter den Mindestwert für die Ausführung von Startversuchen abgesunken (9 V).</p>	Der Generator springt nicht an.	Batterie laden.
<p><i>OIL CHANGE</i></p> <p>Die Zählung der Betriebsstunden hat den vorgegebenen Wert für den Motorölwechsel erreicht.</p>	Der Generator läuft weiter.	Den Ölwechsel durchführen (siehe Kapitel „Öl wechseln (Abb. 6, Seite 6)“ auf Seite 51), dann den Generator durch anhaltendes Drücken des Starttasters erneut starten.
<p><i>NO FUEL</i></p> <p>Das Benzin im Tank steht auf Reserve.</p>	Der Generator läuft weiter.	Tanken.
<p><i>OIL ALERT</i></p> <p>Motoröl fehlt.</p>	Der Generator stoppt.	Öl nachfüllen (siehe Kapitel „Ölstand kontrollieren“ auf Seite 46).
<p><i>GENERATOR ALERT!</i></p> <p>Allgemeine Alarmmeldung Beispiel: Der Kontrollring der Drosselklappe vom Vergaser (Schrittmotor) ist defekt.</p>	Der Generator stoppt.	Das System mit Hilfe der Tabelle Störungen, Ursachen und Abhilfen überprüfen. Falls das Problem fortbesteht, wenden Sie sich an die Niederlassung des Herstellers in Ihrem Land (Adressen auf der Rückseite).
<p><i>OVERLOAD!</i></p> <p>Die Verbraucher erzeugen eine Überlast am Ausgang.</p>	Der Inverter schaltet ab, daher wird keine Spannung mehr abgegeben, aber der Motor läuft weiter, bis er ausgeht.	Die angeschlossene Last verringern und den Generator erneut starten.
<p><i>SHORT CIRCUIT</i></p> <p>Die Verbraucher erzeugen einen Kurzschluss am Ausgang.</p>	Der Inverter schaltet ab, daher wird keine Spannung mehr abgegeben, aber der Motor läuft weiter, bis er ausgeht.	Den Zustand der angeschlossenen Verbraucher kontrollieren, dann den Generator erneut starten.

Displaymeldung Beschreibung	Verhalten des Generators	Maßnahmen
<i>OVER TEMPERATURE</i> Überhitzung	Der Inverter schaltet ab, daher wird keine Spannung mehr abgegeben, aber der Motor läuft weiter, um den Generator zu kühlen.	Den Generator abkühlen lassen, ein paar Minuten warten, dann den Generator erneut starten.
<i>LOW POWER ENGINE</i> Abfall der Versorgungsspannung des Inverters.	Der Generator stoppt.	Die angeschlossene Last verringern und den Generator erneut starten.
<i>RESTART GEN?</i> Meldung, die nach einem Halt des Generators wegen Überhitzung erscheint.	Der Generator ist ausgeschaltet.	Zum erneuten Anlassen des Generators den Starttaster drücken.
<i>GEN CAL</i> Meldung, die beim Start des Generators erscheint; sie zeigt die Kalibrierungsphase an, die jedem Start vorangeht. Der Generator gibt noch keine Spannung ab.	Der Generator dreht, erzeugt aber keine Spannung.	Einen Augenblick warten.
<i>GEN WAIT</i> Meldung, die in der Pause zwischen zwei Startversuchen erscheint.	Der Generator ist ausgeschaltet.	Warten, bis die Meldung verschwindet, dann einen erneuten Zündversuch machen.
<i>GEN ON</i> Normaler Betrieb des Generators.	Normalbetrieb	–
<i>GEN OFF</i>	Der Generator befindet sich im Standby und kann gestartet werden.	–
<i>AUTO?</i> Meldung, die beim Einschalten des Automatikbetriebs erscheint	Steuerung wartet auf Benutzereingabe.	Innerhalb von 20 Sekunden den Starttaster drücken und für 3 Sekunden gedrückt halten.
<i>AUTO</i> Automatikbetrieb	Automatikbetrieb ist eingeschaltet.	–

8.7 Ölstand kontrollieren



VORSICHT!

Heißes Öl kann Verbrennungen hervorrufen.
Prüfen Sie den Ölstand nur bei ausgeschaltetem Generator.



HINWEIS

Der Generator muss waagrecht stehen.

Kontrollieren Sie vor jeder Verwendung den Ölstand. Gehen Sie hierzu wie folgt vor:

- Öffnen Sie die Klappe des Generators.
- Schalten Sie den Generator mit dem Hauptschalter (Abb. **4** 1, Seite 5) funktionslos.
- Trennen Sie die Verbindung zum Pluspol der Versorgungsbatterie.
- Ziehen Sie den Messstab (Abb. **4** 2, Seite 5) aus dem Einfüllstutzen (Abb. **4** 3, Seite 5).
- Reinigen Sie den Messstab (Abb. **4** 2, Seite 5) mit einem Lappen.
- Stecken Sie den Messstab (Abb. **4** 2, Seite 5) komplett in den Einfüllstutzen (Abb. **4** 3, Seite 5).
- Ziehen Sie den Messstab (Abb. **4** 2, Seite 5) aus dem Einfüllstutzen.
- Kontrollieren Sie, ob der Ölstand zwischen der Kerbe (maximaler Füllstand) und der Spitze des Messstabes liegt (Abb. **4** 4, Seite 5).
Falls nicht, füllen Sie Öl nach.
- Stecken Sie den Messstab (Abb. **4** 2, Seite 5) komplett in den Einfüllstutzen (Abb. **4** 3, Seite 5).
- Verbinden Sie den Generator mit dem Pluspol der Versorgungsbatterie.
- Schalten Sie den Generator mit dem Hauptschalter (Abb. **4** 1, Seite 5) betriebsbereit.
- Schließen Sie die Klappe des Generators.

8.8 Automatikbetrieb einschalten

Sie können den Automatikbetrieb nur einschalten:

- wenn er beim Einbau des Generators konfiguriert wurde
- wenn das Fahrzeug steht und die Zündung ausgeschaltet ist
- wenn der Automatikbetrieb-Schalter (falls vorhanden) eingeschaltet ist

Im Automatikbetrieb springt der Generator automatisch an, wenn die Spannung der angeschlossenen Batterie zu niedrig ist, und lädt die Batterie.

Der Generator schaltet automatisch ab, wenn die Batterie voll geladen ist.

So schalten Sie den Automatikbetrieb ein:

- Schalten Sie den Automatikbetrieb-Schalter (falls vorhanden) ein.
 - Schalten Sie die Zündung aus.
 - Schalten Sie durch Drücken des Ein-/Ausschalters die Fernsteuerung ein.
- ✓ Auf dem Display wird angezeigt: *AUTO?*



HINWEIS

Wenn das Display *GEN OFF* statt *AUTO?* anzeigt, ist bei Ihrem Generator der Automatikbetrieb nicht konfiguriert worden. Wenden Sie sich in diesem Fall an Ihre Fachwerkstatt, die den Einbau vorgenommen hat, und lassen Sie sich den Automatikbetrieb nachrüsten.

- Drücken Sie innerhalb von 20 Sek. den Starttaster und halten Sie ihn 3 Sekunden lang gedrückt.
- ✓ Auf dem Display wird angezeigt: *AUTO*.
- Der Automatikbetrieb ist eingeschaltet.



HINWEIS

Im Automatikbetrieb können Sie den Generator nicht über den Starttaster starten. Der Generator springt automatisch an. Sie können den Generator mit dem Automatikbetrieb-Schalter (falls vorhanden) aus- und einschalten.

8.9 Automatikbetrieb ausschalten

- Schalten Sie den Automatikbetrieb-Schalter (falls vorhanden) aus.
oder...
- Schalten Sie die Zündung ein.
- ✓ Auf dem Display wird angezeigt: *GEN OFF*.

9 Generator reinigen



ACHTUNG! Beschädigungsgefahr!

- Reinigen Sie den Generator nicht mit einem Hochdruckreiniger. Eindringendes Wasser kann den Generator beschädigen.
 - Verwenden Sie keine scharfen oder harten Gegenstände oder Reinigungsmittel zur Reinigung, da dies zu einer Beschädigung des Generators führen kann.
 - Verwenden Sie zur Reinigung des Generators lediglich Wasser mit einem schonenden Reinigungsmittel. Verwenden Sie auf keinen Fall Benzin, Diesel oder Lösungsmittel.
-
- Reinigen Sie das Gehäuse des Generators gelegentlich mit einem feuchten Tuch.
 - Entfernen Sie regelmäßig Verschmutzungen von den Belüftungsöffnungen des Generators. Achten Sie darauf, dass Sie dabei nicht die Lamellen des Generators beschädigen.

10 Generator warten

10.1 Wartungstabelle



WARNUNG!

Lassen Sie alle Wartungsarbeiten nur von Fachkräften durchführen, die mit den einschlägigen Vorschriften vertraut sind. Durch unsachgemäße Wartungsarbeiten können erhebliche Gefahren entstehen.



HINWEIS

Lassen Sie folgende Wartungsarbeiten in den angegebenen Abständen oder nach der angegebenen Zahl von Betriebsstunden ausführen, je nachdem, welcher Fall früher eintritt.

Intervall	Prüfung/Wartung
Im ersten Monat oder nach 20 Stunden	<ul style="list-style-type: none"> ➤ Lassen Sie das Öl wechseln. ➤ Lassen Sie den Luftfilter warten (Kapitel „Luftfilter warten (Abb. 7, Seite 6)“ auf Seite 52).
Alle 3 Monate oder nach 50 Stunden	<ul style="list-style-type: none"> ➤ Lassen Sie den Luftfilter warten (Kapitel „Luftfilter warten (Abb. 7, Seite 6)“ auf Seite 52).
Alle 6 Monate oder nach 100 Stunden	<ul style="list-style-type: none"> ➤ Lassen Sie das Öl wechseln. ➤ Lassen Sie die Zündkerze warten (Kapitel „Zündkerze warten“ auf Seite 54).
Jährlich oder alle 300 Stunden	<ul style="list-style-type: none"> ➤ Lassen Sie die Ventile warten. ➤ Nur TEC29: Lassen Sie den Benzintank und den Kraftstofffilter warten. ➤ Lassen Sie den Vibrationsdämpfer warten.
Alle 2 Jahre	<ul style="list-style-type: none"> ➤ Nur TEC29: Lassen Sie die Benzinleitungen warten. ➤ Nur TEC29LPG: Lassen Sie die Gasleitungen warten.

10.2 Wartungsarbeiten vorbereiten



VORSICHT!

Beachten Sie bei allen Wartungsarbeiten:

- Der Generator darf nicht in Betrieb sein.
- Alle Teile müssen abgekühlt sein.

- Schalten Sie den Generator mit dem Hauptschalter (Abb. **4** 1, Seite 5) funktionslos.
- Trennen Sie die Verbindung zum Pluspol der Versorgungsbatterie.
- Öffnen Sie die Klappe des Generators.

Für Wartungsarbeiten können Sie den Generator herausziehen (Abb. **5**, Seite 5):



WARNUNG!

Die Trägerplatte mit Generator ist sehr schwer (> 40 kg) und kann aus dem Gehäuse fallen, wenn Sie sie zu weit herausziehen.

- Lösen Sie die Befestigungsschrauben (1).
- Ziehen Sie die Trägerplatte (2) mit dem Generator aus dem Gehäuse (3).

10.3 Wartungsarbeiten abschließen

- Verbinden Sie den Generator mit dem Pluspol der Versorgungsbatterie.
- Schalten Sie den Generator mit dem Hauptschalter (Abb. **4** 1, Seite 5) betriebsbereit.
- Schließen Sie die Klappe des Generators.

10.4 Öl wechseln (Abb. **6**, Seite 6)

**VORSICHT!**

Heißes Öl kann Verbrennungen hervorrufen.

**ACHTUNG!**

Geben Sie Altöl unbedingt an Spezialfirmen für die Entsorgung oder Rückgewinnung, und beachten Sie die Gesetze des betreffenden Landes zum Schutz der Umwelt.

Folgende Öle können Sie verwenden:

- Öl für Viertaktmotoren der Klasse API SG oder SF.
- Öl der Klasse SAE 10W-30 (Verwendung bei allen Temperaturen möglich).
- Öl mit Einbereichs-Viskosität.
Wählen Sie die geeignete Viskosität in Abhängigkeit von der mittleren Ortstemperatur.

So wechseln Sie das Öl:

- Lassen Sie den Generator drei bis fünf Minuten warmlaufen, damit das Öl flüssiger wird und schnell und vollständig abfließt.
- Stellen Sie einen geeigneten Behälter unter die Ablassschraube (1).
- Nehmen Sie die Ablassschraube (1) ab.
- ✓ Das Öl fließt ab.
- Füllen Sie das frische Öl in den Ölstutzen.
Die Ölmenge beträgt: 0,6 l.

10.5 Luftfilter warten (Abb. 7, Seite 6)



WARNUNG! Explosionsgefahr!

Verwenden Sie kein Dieselöl oder Lösungsmittel mit niedrigem Verdampfungspunkt zur Reinigung des Luftfilters. Diese können sich entzünden oder explodieren.



ACHTUNG!

Lassen Sie den Motor nie ohne Luftfilter laufen. Sonst nutzt sich der Motor schnell ab.



HINWEIS

Wenn der Luftfilter verschmutzt ist, wird der Luftstrom zum Vergaser verringert. Damit der Vergaser gut funktioniert, sollten Sie den Filterzustand regelmäßig kontrollieren. Kontrollieren Sie ihn entsprechend häufiger, wenn der Generator in besonders staubiger Umgebung benutzt wird.

- Bereiten Sie die Wartungsarbeiten vor und ziehen Sie den Generator ein Stück aus dem Gehäuse: siehe Kapitel „Wartungsarbeiten vorbereiten“ auf Seite 50.
- Entfernen Sie die Flügelmutter (1) und die Filterabdeckung (2).
- Entfernen Sie die Flügelmutter (3).
- Entnehmen Sie den Luftfilter (4).
Der Luftfilter besteht aus zwei Elementen: einem Schwammfilter und einem Papierfilter.
- Kontrollieren Sie den Zustand beider Filterelemente sorgfältig. Wechseln Sie beschädigte Filterelemente aus.
- Reinigen Sie unbeschädigte Filterelemente: siehe folgende Abschnitte.
- Schließen Sie die Wartungsarbeiten ab: siehe Kapitel „Wartungsarbeiten abschließen“ auf Seite 50.

Schwammfilter reinigen

- Waschen Sie den Schwamm mit einer neutralen Waschlösung, und spülen Sie ihn sorgfältig aus.
- Lassen Sie den Schwamm vollständig trocknen.
- Tränken Sie den Schwamm mit sauberem Motoröl.
- Drücken Sie das überschüssige Öl aus.

Papierfilter reinigen

- Befreien Sie das Papier durch wiederholtes leichtes Schlagen auf eine harte Fläche von Verunreinigungen, oder blasen Sie den Filter von innen nach außen mit Pressluft aus.
Bürsten Sie das Papier **nicht** ab, denn dadurch würde der Schmutz in die Fasern des Papierfilters eindringen.
- Wechseln Sie bei starker Verschmutzung den Papierfilter aus.

10.6 Zündkerze warten



ACHTUNG!

- Ziehen Sie die Zündkerze sorgfältig an. Eine nicht fest angezogene Zündkerze kann sehr heiß werden und Schäden am Motor hervorrufen.
- Verwenden Sie ausschließlich gleichwertige Zündkerzen.
- Wenn Sie eine neue Zündkerze einsetzen, ziehen Sie diese um eine 1/2 Drehung an, wenn sie fest auf der Beilegscheibe aufsitzt. Bei der Verwendung von gebrauchten Zündkerzen genügt eine 1/8 oder eine 1/4 Drehung.

- Bereiten Sie die Wartungsarbeiten vor: siehe Kapitel „Wartungsarbeiten vorbereiten“ auf Seite 50.
- Nehmen Sie den Kerzenstecker ab.
- Nehmen Sie die Zündkerze mit einem Zündkerzenschlüssel heraus.
- Kontrollieren Sie die Zündkerze durch Sichtkontrolle.
Wenn die Zündkerze offensichtlich abgenutzt oder der Isolator beschädigt oder angebrochen ist, wechseln Sie die Zündkerze aus.
Wenn die Zündkerze nur verschmutzt ist, reinigen Sie diese mit einer Stahlbürste.
- Messen Sie den Abstand zwischen den Elektroden mit einem Dickenmesser (Abb. **8**, Seite 7). Er muss 0,7 – 0,8 mm betragen und kann ggf. durch Biegen der Elektrode korrigiert werden.
- Prüfen Sie, ob die Zündkerzendichtung intakt ist.
- Wenn ja, schrauben Sie die Zündkerze mit der Hand an, um eine Beschädigung des Gewindes zu vermeiden.
- Ziehen Sie die Zündkerze mit einem Zündkerzenschlüssel so an, dass die Unterlegscheibe zusammengedrückt wird.
- Schließen Sie die Wartungsarbeiten ab: siehe Kapitel „Wartungsarbeiten abschließen“ auf Seite 50.

11 Störungen beseitigen

Störung	Ursache	Behebung
Bei Drücken des Ein-/Ausschalters geht die Fernbedienung nicht an.	Starterbatterie leer.	➤ Laden Sie die Starterbatterie.
	Stromkabel unterbrochen oder Stecker abgezogen.	➤ Wenden Sie sich an eine autorisierte Fachwerkstatt.
	Massekabel des Generators unterbrochen oder Sicherung (falls vorhanden) ausgelöst.	
Bei Drücken des Starttasters dreht der Anlasser nicht.	Starterbatterie leer.	➤ Laden Sie die Starterbatterie.
	Der Hauptschalter steht auf „0“.	➤ Stellen Sie den Hauptschalter auf „I“ bzw. „1“.
	Welle des Anlassers verschmutzt.	➤ Reinigen Sie die Welle des Anlassers.
	Zu viel Öl im Motor.	➤ Lassen Sie Öl ab.
	Inverter beschädigt.	➤ Wenden Sie sich an eine autorisierte Fachwerkstatt.
	Stromkabel unterbrochen oder Stecker abgezogen.	
	Massekabel des Generators unterbrochen oder Sicherung (falls vorhanden) ausgelöst.	
Anlasser wird nicht mit Strom versorgt.		
Der Anlasser dreht, aber der Generator springt nicht an.	Kein Benzin/LPG.	➤ Füllen Sie Benzin/LPG nach.
	Zündkerze bekommt kein Strom.	➤ Prüfen Sie die elektrischen Verbindungen.
	Vergaser bekommt kein Benzin.	➤ Reinigen Sie den Vergaser.
	Luftansaugung verstopft.	➤ Kontrollieren Sie den Luftfilter (siehe Kapitel „Luftfilter warten (Abb. 7, Seite 6)“ auf Seite 52).
	Die Umgebungstemperatur liegt unter 0 °C	➤ Verwenden Sie reines Propan gas.
	Inverter beschädigt.	➤ Wenden Sie sich an eine autorisierte Fachwerkstatt.
	Stromkabel unterbrochen oder Stecker abgezogen.	

Störung	Ursache	Behebung
Der Generator neigt zum Ausgehen.	Zu viel Öl im Motor.	➤ Lassen Sie Öl ab.
	Last über 2,6 kW.	➤ Schalten Sie Verbraucher ab.
	Vergaser bekommt kein Benzin.	➤ Reinigen Sie den Vergaser.
	Luftansaugung verstopft.	➤ Kontrollieren Sie den Luftfilter (siehe Kapitel „Luftfilter warten (Abb. 7, Seite 6)“ auf Seite 52).
	Inverter beschädigt.	➤ Wenden Sie sich an eine autorisierte Fachwerkstatt.
	Elektromagnet blockiert.	
	Luftfilter verschmutzt.	
Der Generator ist angesprungen, erzeugt aber keine Spannung.	Inverter beschädigt.	➤ Wenden Sie sich an eine autorisierte Fachwerkstatt.
	Schrittmotor defekt oder Kabel unterbrochen.	
	Elektromagnet blockiert.	
	Drosselklappe blockiert.	
Der Generator startet mit starker Beschleunigung und bleibt dann mit der Meldung „GENERATOR ALERT“ stehen.	Inverter beschädigt.	➤ Wenden Sie sich an eine autorisierte Fachwerkstatt.
	Schrittmotor defekt oder Kabel unterbrochen.	
Die erzeugte Spannung ist instabil.	Inverter beschädigt.	➤ Wenden Sie sich an eine autorisierte Fachwerkstatt.
	Schrittmotor defekt oder Kabel unterbrochen.	

12 Gewährleistung

Es gilt die gesetzliche Gewährleistungsfrist. Sollte das Produkt defekt sein, wenden Sie sich bitte an einen Service-Partner in Ihrem Land (Adressen siehe Rückseite der Anleitung).

Unsere Spezialisten helfen Ihnen gerne weiter und besprechen mit Ihnen den weiteren Verlauf der Gewährleistung.

13 Entsorgung

- Geben Sie das Verpackungsmaterial möglichst in den entsprechenden Recycling-Müll.



Wenn Sie das Produkt endgültig außer Betrieb nehmen, informieren Sie sich bitte beim nächsten Recyclingcenter oder bei Ihrem Fachhändler über die zutreffenden Entsorgungsvorschriften.




Schützen Sie Ihre Umwelt!

Akkus und Batterien gehören nicht in den Hausmüll.

Geben Sie bitte Ihre defekten Akkus oder verbrauchten Batterien beim Händler oder bei einer Sammelstelle ab.

14 Technische Daten

	Dometic TEC29	Dometic TEC29LPG
Art.-Nr.:	9102900200	9102900179
Ausgangsnennspannung:	230 V~ / 50 Hz	
Max. Dauerleistung (bei 25 °C auf Meereshöhe):	2600 W	
Ausgangsspannung Batterielader:	12 V===	
max. Ausgangsstrom Batterielader:	10 A	
Betriebstemperaturbereich:	-15 °C bis +50 °C	-15 °C bis +50 °C (abhängig vom Propan- Anteil des LPG)
Klirrfaktor:	1 %	
Kraftstoff:	Normalbenzin ROZ 91	Flüssiggas LPG
Verbrauch:	300 g/kWh max. 1,2 l/h	408 g/kWh max. 1,0 kg/h
Motorleistung:	4,0 kW (5,5 PS)	
Garantierter Schallpegel:	86 dB(A)	
Schallpegel in 7 m Abstand:	54 – 59 dB(A)	
Abmessungen:	siehe Abb. 9 , Seite 7	
Gewicht:	44 kg	
Prüfung/Zertifikat:		

Veillez lire ce manuel attentivement avant de mettre l'appareil en service et conservez-le. En cas de passer le produit, veuillez le transmettre au nouvel acquéreur.

Sommaire

1	Explication des symboles	60
2	Consignes de sécurité	60
3	Groupe cible de cette notice	63
4	Pièces fournies	63
5	Accessoires	64
6	Usage conforme.	64
7	Description technique	65
8	Utilisation du générateur	67
9	Nettoyage du générateur	74
10	Maintenance du générateur	75
11	Guide de dépannage	81
12	Garantie	83
13	Retraitement	83
14	Caractéristiques techniques.	84

1 Explication des symboles

**AVERTISSEMENT !**

Consigne de sécurité : le non-respect de ces consignes peut entraîner la mort ou de graves blessures.

**ATTENTION !**

Consigne de sécurité : le non-respect de ces consignes peut entraîner des blessures.

**AVIS !**

Le non-respect de ces consignes peut entraîner des dommages matériels et des dysfonctionnements du produit.

**REMARQUE**

Informations complémentaires sur l'utilisation du produit.

► **Manipulation** : ce symbole vous indique une action à effectuer. Les manipulations à effectuer sont décrites étape par étape.

✓ Ce symbole décrit le résultat d'une manipulation.

Fig. 1 5, page 3 : cette information renvoie à un élément figurant sur une illustration, dans cet exemple à la « position 5 de l'illustration 1 à la page 3 ».

2 Consignes de sécurité

Le fabricant décline toute responsabilité pour des dommages dans les cas suivants :

- des influences mécaniques et des surtensions ayant endommagé le matériel
- des modifications apportées au produit sans autorisation explicite de la part du fabricant
- une utilisation différente de celle décrite dans la notice

Il décline notamment toute responsabilité pour tous les dommages consécutifs, en particulier pour les dommages consécutifs à une panne du générateur.

Lors de l'utilisation d'appareils électriques, les consignes générales de sécurité suivantes doivent être respectées afin d'éviter :

- une décharge électrique,
- un incendie,
- des blessures.

2.1 Consignes générales de sécurité



AVERTISSEMENT !

- **Les appareils électriques ne sont pas des jouets pour enfants !**

Les enfants ne peuvent estimer les dangers éventuels des appareils électriques. Ne laissez pas les enfants utiliser des appareils électriques sans surveillance.

- Ne laissez pas des personnes (enfants compris) incapables d'utiliser l'appareil de manière sûre, en raison de déficiences physiques, sensorielles ou mentales ou de leur manque d'expérience ou de connaissances, utiliser cet appareil sans surveillance.
- Utilisez l'appareil conformément à l'usage pour lequel il a été conçu.
- Ne procédez à aucune modification ni transformation de l'appareil !
- L'installation, la maintenance et les réparations du générateur doivent être effectuées uniquement par un personnel qualifié et parfaitement informé des dangers relatifs à la manipulation des générateurs et des règlements spécifiques. Toute réparation mal effectuée risquerait d'entraîner de graves dangers. Si des réparations sont nécessaires, adressez-vous à la succursale du fabricant de votre pays (adresses au dos de la notice).
- Les gaz d'échappement contiennent du monoxyde de carbone, un gaz incolore et inodore, extrêmement toxique. Ne respirez pas les gaz d'échappement. Ne faites pas tourner le moteur du générateur dans un garage fermé ou dans une pièce sans fenêtres.

**ATTENTION !**

- Le générateur doit uniquement être utilisé avec la trappe fermée.
- Éliminez toutes les matières inflammables, telles que l'essence, le vernis, les détergents, etc. à proximité du générateur.
- Veillez à ce qu'aucune pièce du générateur, susceptible de chauffer, n'entre en contact avec les matières facilement inflammables.
- Ne pompez le générateur que lorsqu'il est coupé et dans un pièce suffisamment aérée. L'essence et le gaz liquide sont fortement inflammables et risquent d'exploser.
- Ne pompez pas le générateur lorsque le moteur du véhicule est en marche, lorsque le réservoir se trouve à proximité du générateur.
- **Uniquement TEC29** : Si de l'essence s'échappe, essuyez-la correctement et attendez que la vapeur se soit dissipée avant d'allumer le moteur.
- **Uniquement TEC29LPG** : Vérifiez que les données inscrites sur la bouteille de gaz liquide correspondent aux données inscrites sur la plaque signalétique.
- **Uniquement TEC29LPG** : N'entrez jamais les bouteilles de gaz liquide à des endroits mal aérés ou sous le niveau du sol (dans des trous en forme d'entonnoir).
- **Uniquement TEC29LPG** : Protégez les bouteilles de gaz liquide d'un rayonnement solaire direct. La température ne doit pas dépasser 50 °C.
- Ne touchez pas le générateur et les conduites avec les mains humides.
- Remplacez les fusibles ou thermocontacts par des pièces présentant les mêmes caractéristiques techniques uniquement.
- Ne branchez pas le générateur en mode automatique à proximité de sources inflammables (par ex. stations essence, terrain sec avec risque d'incendie).

**AVIS !**

- **Uniquement TEC29** : Ne remplissez pas de trop le réservoir à essence. Le goulot du réservoir ne doit pas contenir d'essence. Veillez à ce que le couvercle soit bien fermé.

2.2 Consignes de sécurité concernant le fonctionnement de l'appareil



AVERTISSEMENT !

- Coupez l'alimentation électrique au cours de travaux sur l'appareil.



AVIS !

- Faites fonctionner l'appareil uniquement si le boîtier et les conduites sont intacts.

3 Groupe cible de cette notice

Ce manuel s'adresse à l'utilisateur du générateur.

4 Pièces fournies

TEC29

Désignation	Numéro de produit
Générateur TEC29	9102900200
AG 102, relais de commutation pour la réalisation d'un raccordement prioritaire	9102900013
Notice d'installation	
Notice d'utilisation	

TEC29LPG

Désignation	Numéro de produit
Générateur TEC29LPG	9102900179
AG 102, relais de commutation pour la réalisation d'un raccordement prioritaire	9102900013
Notice d'installation	
Notice d'utilisation	

5 Accessoires

Disponibles en accessoires (non compris dans la livraison) :

Désignation des pièces	Numéro de produit
Uniquement TEC29 : AG 101, réservoir 15 l, plastique	9102900009
Uniquement TEC29 : AG 100, réservoir 20 l, acier inoxydable	9102900011
Uniquement TEC29 : AG 150, jeu de flexibles pour AG 100 / AG 101	9102900003
AG 125, flexible métallique pour la rallonge de la conduite de gaz d'échappement, 5 m	9102900138
AG 128, joint pour TEC29	9102900040

6 Usage conforme

Les générateurs TEC29 (référence 9102900200) et TEC29LPG (référence 9102900179) sont conçus pour une utilisation dans les caravanes, campings-cars et véhicules commerciaux.

Le générateur n'est **pas** conçu pour une utilisation dans les bateaux.

Le générateur crée une tension alternative sinusoïdale pure de 230 V / 50 Hz à laquelle les consommateurs d'énergie peuvent être reliés avec une charge continue totale de 2600 W. La qualité du courant est également adaptée aux consommateurs d'énergie sensibles (par ex. PC).

Le générateur peut charger une batterie de 12 V.

7 Description technique

Les générateurs TEC29 et TEC29LPG sont constitués des éléments principaux suivants (fig. **1**, page 3) :

- Moteur à combustion (**1**)
- Générateur de courant alternatif (**2**) à aimants permanents
- Onduleur (**3**)
- Panneau de raccordement (**4**)
- Télécommande (**5**)

Le moteur à combustion (**1**) met en rotation le générateur de courant alternatif (**2**) raccordé, ce dernier génère alors une tension alternative.

L'onduleur (**3**) transforme cette tension alternative en une tension stable de 230 V et 50 Hz.

Le panneau de raccordement (**4**) dispose des bornes de raccordement, de la douille pour le câble de raccordement à la télécommande (**5**) et du commutateur principal.

Vue d'ensemble de tous les éléments :

- TEC29 : fig. **10**, page 8.
- TEC29LPG : fig. **11**, page 9

Le générateur dispose des possibilités suivantes :

- Chargeur de batterie intégré pour le chargement de la batterie raccordée
- Fonctionnement automatique pour le chargement automatique de la batterie raccordée (doit être configuré en conséquence lors du montage).

Éléments de commande sur la boîte de raccordement

La boîte de raccordement se trouve sur le générateur, derrière le capot de recouvrement.

Pos. dans fig. 2 , page 4	Description	
1	Interrupteur principal	Met le générateur en fonction ou hors service.
2	Uniquement TEC29 : Disjoncteur	Protection électromécanique contre la surcharge.
3	Uniquement TEC29LPG : Fusible principal	Saute en cas de surcharge côté tension alternative. Le fusible doit être remplacé une fois qu'il a sauté.
4	Uniquement TEC29LPG : Fusible du chargeur de batterie	Saute en cas de surcharge côté tension continue. Le fusible doit être remplacé une fois qu'il a sauté.

Éléments de commande sur la télécommande

La télécommande se trouve à l'intérieur du véhicule.

Pos. dans fig. 3 , page 4	Description	
1	Affichage	Affiche les messages d'état.
2	Interrupteur « Marche / Arrêt »	Active et désactive la télécommande lorsque le commutateur principal se trouve sur « I » ou « 1 ». Coupe le générateur.
3	Interrupteur de démarrage « START »	Démarré le générateur lorsque la télécommande est activée et lorsque le commutateur principal se trouve sur « I » resp. « 1 ».
4	Uniquement TEC29 : Indicateur du niveau d'essence	S'allume lorsque l'essence est sur la réserve.
5	Indicateur du niveau d'huile	S'allume lorsque le niveau d'huile dans le moteur est trop bas.

Affichages à l'écran

Pos. dans fig. 3, page 4	Description	
6	Tension alternative	Tension de sortie actuelle
7	Puissance de sortie permanente	Puissance actuelle du consommateur d'énergie raccordé
8	Heures de service	Indique les heures de fonctionnement du générateur
9	Tension continue	Tension de batterie
10	Messages	Message d'état du générateur (voir chapitre « Messages à l'écran », page 70)

8 Utilisation du générateur



AVIS !

Lors des 50 premières heures de service (phase de démarrage), ne sollicitez pas le générateur à plus de 70 % de la puissance de sortie permanente maximale.



REMARQUE

Après la phase de démarrage, sollicitez le générateur à une charge maximale d'env. 75 % de la puissance de sortie permanente maximale.

La durée de vie du générateur peut ainsi être allongée et sa puissance optimisée.

8.1 Remarques générales concernant l'utilisation



ATTENTION ! Risque de blessures !

Ne glissez ni les doigts, ni un quelconque objet dans les buses de ventilation ou la grille d'aspiration.

Tenez compte des remarques suivantes :

- Contrôlez le niveau d'huile avant chaque utilisation (chapitre « Contrôle du niveau d'huile », page 72).

- **Uniquement TEC29LPG** : Avant chaque utilisation, contrôlez l'étanchéité de l'alimentation en gaz avec du spray détecteur de fuites.
- Même de petites surcharges entraînent, sur la durée, une réaction du commutateur de protection (**TEC29**) ou des fusibles (**TEC29LPG**).
- Après son utilisation, laissez tourner le générateur quelques minutes sans consommateur d'énergie avant de le couper.
- Un freinage brusque, une accélération ou des déplacements en virage du véhicule peuvent entraîner des problèmes dans le système de pompes du générateur et par conséquent sa coupure involontaire.
- Lorsque le générateur ne fonctionne pas pendant longtemps, démarrez-le au moins tous les 30 jours et laissez-le tourner pendant 15 minutes au minimum.

8.2 Mise en service ou hors service du générateur

Le commutateur principal (fig. **2** 1, page 4) sur la boîte de raccordement permet d'activer et de désactiver le générateur.

8.3 Mise en marche / à l'arrêt de la télécommande

L'interrupteur Marche/Arrêt (fig. **3** 2, page 4) de la télécommande permet de mettre cette dernière en marche et à l'arrêt.

➤ Activez la télécommande à l'aide de l'interrupteur Marche/Arrêt.

✓ L'écran affiche : *GEN OFF*.

L'écran se coupe automatiquement au bout de 5 min si l'interrupteur de démarrage n'a pas été actionné au cours de cette période.

En actionnant l'interrupteur de démarrage, l'écran peut être redémarré.

✓ Le générateur peut alors démarrer.

8.4 Démarrage du générateur

Le générateur peut uniquement être démarré lorsqu'il est opérationnel (mis en marche) et lorsque la télécommande est activée.



REMARQUE

Lorsque le générateur est encore chaud, appuyez brièvement sur l'interrupteur de démarrage pour le démarrer, s'il est froid appuyez plus longuement.

- Démarrez le générateur à l'aide de l'interrupteur de démarrage (fig. **3** 3, page 4).

8.5 Arrêt du générateur

- Arrêtez le générateur à l'aide de l'interrupteur Marche / Arrêt (fig. **3** 2, page 4).

Si le générateur ne s'arrête pas: Coupez-le avec le commutateur principal (fig. **2** 1, page 4).

8.6 Messages à l'écran

Message à l'écran Description	Comportement du générateur	Mesures
LOW BATTERY La tension de la batterie est tombée sous la valeur minimale requise pour les tentatives de démarrage (9 V).	Le générateur ne réagit pas.	Charger la batterie.
OIL CHANGE Le compteur d'heures de service a atteint la valeur indiquée pour la vidange de l'huile moteur.	Le générateur continue de tourner.	Vidanger l'huile (voir chapitre « Vidange d'huile (fig. 6, page 6) », page 77), puis redémarrer le générateur en maintenant l'interrupteur de démarrage enclenché.
NO FUEL Le réservoir d'essence est sur la réserve.	Le générateur continue de tourner.	Faire l'appoint.
OIL ALERT Huile moteur manquante.	Le générateur s'arrête.	Faire l'appoint en huile (voir chapitre « Contrôle du niveau d'huile », page 72).
GENERATOR ALERT! Message d'alarme général Exemple : L'anneau de contrôle du papillon d'obturation du carburateur (moteur pas à pas) est défectueux.	Le générateur s'arrête.	Contrôler le système à l'aide du tableau Pannes, origines et solutions. Si le problème persiste, adressez-vous à la succursale du fabricant de votre pays (adresses au dos de la notice).
OVERLOAD! Les consommateurs d'énergie génèrent une surcharge au niveau de la sortie.	L'onduleur se coupe, plus aucune tension n'est disponible, toutefois le moteur continue de tourner jusqu'à ce qu'il s'arrête.	Réduire la charge raccordée et redémarrer le générateur.
SHORT CIRCUIT Les consommateurs d'énergie génèrent un court-circuit au niveau de la sortie.	L'onduleur se coupe, plus aucune tension n'est disponible, toutefois le moteur continue de tourner jusqu'à ce qu'il s'arrête.	Contrôler l'état des consommateurs d'énergie raccordés puis redémarrer le générateur.

Message à l'écran Description	Comportement du générateur	Mesures
<i>OVER TEMPERATURE</i> Surchauffe	L'onduleur se coupe, plus aucune tension n'est disponible, toutefois le moteur continue de tourner pour refroidir le générateur.	Laisser refroidir le générateur, attendre quelques minutes puis redémarrer le générateur.
<i>LOW POWER ENGINE</i> Panne de la tension d'alimentation de l'onduleur.	Le générateur s'arrête.	Réduire la charge raccordée et redémarrer le générateur.
<i>RESTART GEN?</i> Message apparaissant suite à l'arrêt du générateur en raison d'une surchauffe.	Le générateur est coupé.	Pour redémarrer le générateur, actionner l'interrupteur de démarrage.
<i>GEN CAL</i> Message apparaissant lors du démarrage du générateur ; il indique la phase de calibrage associée à chaque démarrage. Le générateur ne délivre plus de tension.	Le générateur tourne mais ne délivre plus de tension.	Attendre un instant.
<i>GEN WAIT</i> Message apparaissant lors de la pause entre deux tentatives de démarrage.	Le générateur est coupé.	Attendre que le message disparaisse puis refaire une tentative de démarrage.
<i>GEN ON</i> Fonctionnement normal du générateur.	Fonctionnement normal	–
<i>GEN OFF</i>	Le générateur est en mode de veille et peut être démarré.	–
<i>AUTO?</i> Message apparaissant lors de l'activation du mode automatique	La commande attend la saisie de l'utilisateur	Actionner l'interrupteur de démarrage au cours des 20 secondes et le maintenir enfoncé pendant 3 secondes.
<i>AUTO</i> Mode automatique	Le mode automatique est actionné	–

8.7 Contrôle du niveau d'huile



ATTENTION !

L'huile chaude peut entraîner des brûlures.
Contrôlez le niveau d'huile uniquement lorsque le générateur est coupé.



REMARQUE

Le générateur doit être installé à l'horizontale.

Contrôlez le niveau d'huile avant chaque utilisation. Procédez comme suit :

- Ouvrez la trappe du générateur.
- Coupez le générateur avec le commutateur principal (fig. **4** 1, page 5).
- Coupez la connexion vers le pôle positif de la batterie d'alimentation.
- Retirez la jauge (fig. **4** 2, page 5) de la tubulure de remplissage (fig. **4** 3, page 5).
- Essuyez la jauge (fig. **4** 2, page 5) avec un chiffon.
- Insérer complètement la jauge (fig. **4** 2, page 5) dans la tubulure de remplissage (fig. **4** 3, page 5).
- Retirez la jauge (fig. **4** 2, page 5) de la tubulure de remplissage.
- Contrôlez si le niveau d'huile se trouve entre la rainure (niveau maximal) et la pointe de la jauge (fig. **4** 4, page 5).
Si ce n'est pas le cas, faites l'appoint en huile.
- Insérer complètement la jauge (fig. **4** 2, page 5) dans la tubulure de remplissage (fig. **4** 3, page 5).
- Reliez le générateur au pôle positif de la batterie d'alimentation.
- Mettez en marche le générateur avec le commutateur principal (fig. **4** 1, page 5).
- Fermez la trappe du générateur.

8.8 Activation du mode automatique

Le mode automatique peut uniquement être activé :

- lorsque cela a été configuré lors du montage du générateur
- lorsque le véhicule est à l'arrêt et l'allumage coupé
- lorsque le commutateur du mode automatique (si disponible) est activé

En mode automatique, le générateur réagit automatiquement lorsque la tension de la batterie raccordée est trop basse, et charge la batterie.

Le générateur se coupe automatiquement lorsque la batterie est chargée.

Pour mettre le mode automatique en marche :

- Actionnez le commutateur de mode automatique (si disponible).
 - Coupez le contact.
 - Activez la commande à distance en actionnant l'interrupteur Marche / Arrêt.
- ✓ Le message suivant apparaît à l'écran : *AUTO?*



REMARQUE

Si l'écran affiche *GEN OFF* au lieu de *AUTO?*, cela signifie que le mode automatique n'est pas configuré sur votre générateur. Dans ce cas, adressez-vous à votre entreprise spécialisée, ayant procédé au montage, chargez-la de configurer le mode automatique.

- Actionner l'interrupteur de démarrage au cours des 20 sec. et le maintenir enfoncé pendant 3 secondes.
- ✓ Le message suivant apparaît à l'écran : *AUTO*.
- Le mode automatique est activé.



REMARQUE

En mode automatique, il n'est pas possible de démarrer le générateur via l'interrupteur de démarrage. Le générateur se lance automatiquement.

Il est possible de mettre en marche et d'arrêter le générateur avec le commutateur du mode automatique (si disponible).

8.9 Arrêt du mode automatique

➤ Coupez le commutateur de mode automatique (si disponible).

ou...

➤ Mettez le contact.

✓ Le message suivant apparaît à l'écran : *GEN OFF*.

9 Nettoyage du générateur



AVIS ! Risque d'endommagement !

- Ne nettoyez pas le générateur avec un nettoyeur haute pression. Toute infiltration d'eau peut endommager le générateur.
- N'utilisez aucun objet coupant ou dur, ni de détergents pour le nettoyage. Cela pourrait endommager le générateur.
- Pour nettoyer le générateur, utilisez uniquement de l'eau et un détergent doux. N'utilisez en aucun cas de l'essence, du diesel ou un solvant.

➤ Nettoyez de temps à autre le boîtier du générateur avec un chiffon humide.

➤ Éliminez régulièrement les impuretés des orifices de ventilation du générateur. Veillez à ne pas endommager les lamelles du générateur.

10 Maintenance du générateur

10.1 Tableau de maintenance



AVERTISSEMENT !

Confiez toutes les opérations de maintenance à un personnel qualifié et parfaitement informé des directives en vigueur. Tout travail de maintenance mal effectué risquerait d'entraîner de graves dangers.



REMARQUE

Faites réaliser les opérations de maintenance indiquées ci-dessous dans les intervalles de temps indiqués ou après les heures de fonctionnement spécifiées, selon l'événement arrivant en premier.

Intervalle	Contrôle / maintenance
Au cours du premier mois ou après 20 heures	<ul style="list-style-type: none"> ➤ Vidangez l'huile. ➤ Faites entretenir le filtre à air (chapitre « Entretien du filtre à air (fig. 7, page 6) », page 78).
Tous les 3 mois ou après 50 heures	<ul style="list-style-type: none"> ➤ Faites entretenir le filtre à air (chapitre « Entretien du filtre à air (fig. 7, page 6) », page 78).
Tous les 6 mois ou après 100 heures	<ul style="list-style-type: none"> ➤ Vidangez l'huile. ➤ Faites entretenir la bougie d'allumage (chapitre « Entretien de la bougie d'allumage », page 80).
Une fois par an ou toutes les 300 heures	<ul style="list-style-type: none"> ➤ Faites entretenir les soupapes. ➤ Uniquement TEC29 : faites entretenir le réservoir à essence et le filtre à carburant. ➤ Faites entretenir l'amortisseur de vibrations.
Tous les 2 ans	<ul style="list-style-type: none"> ➤ Uniquement TEC29 : faites entretenir les conduites d'essence. ➤ Uniquement TEC29LPG : faites entretenir les conduites de gaz.

10.2 Préparation des opérations de maintenance



ATTENTION !

A noter lors de chaque opération de maintenance :

- Le générateur ne doit pas être en cours de fonctionnement.
- Toutes les pièces doivent être refroidies.

- Coupez le générateur avec le commutateur principal (fig. **4** 1, page 5).
- Coupez la connexion vers le pôle positif de la batterie d'alimentation.
- Ouvrez la trappe du générateur.

Le générateur peut être extrait pour les opérations de maintenance (fig. **5**, page 5) :



AVERTISSEMENT !

La plaque de support du générateur est très lourde (> 40 kg) et risque de tomber du boîtier si elle est trop tirée.

- Desserrez les vis de fixation (1).
- Tirez la plaque de support (2) avec le générateur en-dehors du boîtier (3).

10.3 Fin des opérations de maintenance

- Reliez le générateur au pôle positif de la batterie d'alimentation.
- Mettez en marche le générateur avec le commutateur principal (fig. **4** 1, page 5).
- Fermez la trappe du générateur.

10.4 Vidange d'huile (fig. 6, page 6)

**ATTENTION !**

L'huile chaude peut entraîner des brûlures.

**AVIS !**

Remettez impérativement l'ancienne huile à une entreprise spécialisée dans le recyclage ou la récupération et respectez les consignes de prévention de l'environnement en vigueur dans le pays concerné.

Vous pouvez utiliser les huiles suivantes :

- Huile pour moteur à quatre temps de classe API SG ou SF.
- Huile de classe SAE 10W-30 (utilisation possible sous toutes les températures).
- Huile de viscosité monocouche.
Sélectionnez la bonne viscosité en fonction de la température moyenne du lieu.

Pour vidanger l'huile :

- Laissez tourner à chaud le générateur pendant trois à cinq minutes afin que l'huile s'écoule plus liquide et plus rapidement.
- Placez un récipient approprié sous la vis de vidange (1).
- Retirez la vis de vidange (1).
- ✓ L'huile s'écoule alors.
- Versez la nouvelle huile dans la tubulure.
Quantité d'huile : 0,6 l.

10.5 Entretien du filtre à air (fig. 7, page 6)



AVERTISSEMENT ! Risque d'explosion !

N'utilisez pas de gazole ou de solution, dont le point de vaporisation est bas, pour nettoyer le filtre à air. Ces derniers risquent de s'enflammer et d'exploser.



AVIS !

Ne laissez pas le moteur tourner sans filtre à air. Sinon il s'usera plus rapidement.



REMARQUE

Lorsque le filtre à air est encrassé, le flux d'air vers le carburateur est réduit. Afin que le carburateur fonctionne correctement, l'état du filtre à air doit être contrôlé régulièrement. Contrôlez-le encore plus fréquemment lorsque le générateur est utilisé dans des espaces particulièrement poussiéreux.

- Préparez les opérations de maintenance et retirez légèrement le générateur du boîtier : voir chapitre « Préparation des opérations de maintenance », page 76.
- Retirez l'écrou papillon (1) et le capot du filtre (2).
- Retirez l'écrou papillon (3).
- Retirez le filtre à air (4).
Le filtre à air est constitué de deux éléments : un filtre à mousse et un filtre à papier.
- Contrôlez scrupuleusement l'état des deux éléments filtrants. Remplacez les éléments filtrants endommagés.
- Nettoyez les éléments filtrants non endommagés : voir les paragraphes suivants.
- Terminez les opérations de maintenance : voir chapitre « Fin des opérations de maintenance », page 76.

Nettoyage du filtre à mousse

- Nettoyez la mousse avec une solution neutre et rincez-la correctement.
- Laissez sécher correctement la mousse.
- Trempez la mousse dans le l'huile moteur propre.
- Pressez-la pour éliminer le surplus d'huile.

Nettoyage du filtre à papier

- Nettoyez le papier en donnant plusieurs petits coups sur les dépôts de saletés ou soufflez le filtre de l'intérieur vers l'extérieur à l'air comprimé.
Ne brossez **pas** le papier, la poussière risquerait de pénétrer dans les fibres du filtre à papier.
- S'il est fortement encrassé, remplacez le filtre à papier.

10.6 Entretien de la bougie d'allumage



AVIS !

- Serrez avec soin la bougie d'allumage. Une bougie d'allumage mal serrée peut devenir très chaude et endommager le moteur.
- Utilisez exclusivement des bougies d'allumage de même valeur.
- Lors de la mise en place d'une nouvelle bougie, serrez-la d'1/2 tour une fois qu'elle repose sur la rondelle. Lors de l'utilisation de bougie d'occasion, 1/8 ou 1/4 de tour suffit.

- Préparez les opérations de maintenance : voir chapitre « Préparation des opérations de maintenance », page 76.
- Retirez le connecteur de la bougie.
- Utilisez une clé pour bougie d'allumage pour retirer celle-ci.
- Procédez à un contrôle visuel de la bougie.
Lorsque la bougie est usagée ou lorsque l'isolant est endommagé ou coupé, remplacez la bougie.
Si la bougie est uniquement encrassée, nettoyez-la avec une brosse métallique.
- Mesurez la distance entre les électrodes à l'aide d'un gabarit (fig. **8**, page 7). Elle doit être de 0,7 – 0,8 mm et peut être rectifiée en coudant l'électrode.
- Vérifiez si le joint de la bougie est intact.
- Si oui, vissez la bougie à la main afin de ne pas endommager le filetage.
- Serrez la bougie avec une clé à bougie de manière à compresser la rondelle.
- Terminez les opérations de maintenance : voir chapitre « Fin des opérations de maintenance », page 76.

11 Guide de dépannage

Dysfonctionnement	Cause	Solution
La télécommande ne démarre pas lorsque l'interrupteur Marche / Arrêt est actionné.	Batterie de démarrage vide.	➤ Chargez la batterie de démarrage.
	Câble électrique coupé ou connecteur retiré.	➤ Prenez contact avec un atelier spécialisé.
	Câble de masse du générateur coupé ou fusible (si disponible) déclenché	
Le démarreur ne tourne pas lorsque l'interrupteur de démarrage est actionné.	Batterie de démarrage vide.	➤ Chargez la batterie de démarrage.
	Le commutateur principal est positionné sur « 0 ».	➤ Amenez le commutateur principal en position « I » resp. « 1 ».
	Arbre du démarreur encrassé.	➤ Nettoyez l'arbre du démarreur.
	Trop d'huile dans le moteur.	➤ Évacuez l'huile.
	Onduleur endommagé.	➤ Prenez contact avec un atelier spécialisé.
	Câble électrique coupé ou connecteur retiré.	
	Câble de masse du générateur coupé ou fusible (si disponible) déclenché	
Le démarreur n'est pas alimenté en courant.		
Le démarreur tourne mais le générateur ne se lance pas.	Pas d'essence/LPG.	➤ Faites l'appoint en essence/LPG.
	La bougie d'allumage n'est pas alimentée en courant.	➤ Vérifiez les raccordements électriques.
	Le carburateur ne reçoit pas d'essence.	➤ Nettoyez le carburateur.
	Aspiration d'air colmatée.	➤ Contrôlez le filtre à air (voir le chapitre « Entretien du filtre à air (fig. 71, page 6) », page 78).
	La température ambiante est inférieure à 0 °C.	➤ Utilisez du gaz propane pur.
	Onduleur endommagé.	➤ Prenez contact avec un atelier spécialisé.
	Câble électrique coupé ou connecteur retiré.	

Dysfonctionnement	Cause	Solution
Le générateur ralentit.	Trop d'huile dans le moteur.	➤ Évacuez l'huile.
	Charge supérieure à 2,6 kW.	➤ Coupez les consommateurs d'énergie.
	Le carburateur ne reçoit pas d'essence.	➤ Nettoyez le carburateur.
	Aspiration d'air colmatée.	➤ Contrôlez le filtre à air (voir le chapitre « Entretien du filtre à air (fig. 7, page 6) », page 78).
	Onduleur endommagé. Électroaimant bloqué. Filtre à air encrassé.	➤ Prenez contact avec un atelier spécialisé.
Le générateur a démarré, mais ne délivre aucune tension.	Onduleur endommagé.	➤ Prenez contact avec un atelier spécialisé.
	Moteur pas à pas défectueux ou câble coupé.	
	Électroaimant bloqué. Papillon d'obturation bloqué.	
Le générateur démarre avec une forte accélération puis s'immobilise avec le message « GENERATOR ALERT ».	Onduleur endommagé.	➤ Prenez contact avec un atelier spécialisé.
	Moteur pas à pas défectueux ou câble coupé.	
La tension générée est instable.	Onduleur endommagé.	➤ Prenez contact avec un atelier spécialisé.
	Moteur pas à pas défectueux ou câble coupé.	

12 Garantie

Le délai légal de garantie s'applique. Si le produit s'avérait défectueux, veuillez vous adresser à un de nos partenaires de service présent dans votre pays (voir adresses au dos du présent manuel).

Nos spécialistes vous aideront avec plaisir et répondront à vos questions concernant la suite de la procédure pour la garantie.

13 Retraitement

- Jetez les emballages dans les conteneurs de déchets recyclables prévus à cet effet.



Lorsque vous mettrez votre produit définitivement hors service, informez-vous auprès du centre de recyclage le plus proche ou auprès de votre revendeur spécialisé sur les prescriptions relatives au retraitement des déchets.




Protégez l'environnement !

Les piles et les batteries usagées ne sont pas des déchets ménagers.

Rapportez les piles défectueuses ou les batteries usagées à votre revendeur ou à un centre de collecte.

14 Caractéristiques techniques

	Dometic TEC29	Dometic TEC29LPG
N° de produit :	9102900200	9102900179
Tension nominale de sortie :	230 V~ / 50 Hz	
Puissance continue max. (à 25 °C au niveau de la mer) :	2600 W	
Tension de sortie du chargeur de batterie :	12 V===	
Courant de sortie max. du chargeur de batterie :	10 A	
Plage de température de fonctionnement :	-15 °C à +50 °C	De -15 °C à +50 °C (indépendamment de la proportion de propane du GPL)
Taux de distorsion :	1 %	
Carburant :	Essence ordinaire ROZ 91	Gaz liquide LPG
Consommation :	300 g/kWh max. 1,2 l/h	408 g/kWh max. 1,0 kg/h
Puissance du moteur :	4,0 kW (5,5 CV)	
Niveau sonore garanti :	86 dB(A)	
Niveau sonore à 7 m :	54 – 59 dB(A)	
Dimensions :	voir fig. 9 , page 7	
Poids :	44 kg	
Contrôle/certificat :		

Antes de poner en funcionamiento el producto, lea atentamente estas instrucciones y consérvelas para futuras consultas. En caso de vender o entregar el producto a otra persona, entregue también estas instrucciones.

Índice

1	Aclaración de los símbolos	86
2	Indicaciones de seguridad	86
3	Destinatarios de estas instrucciones	89
4	Volumen de entrega	89
5	Accesorios	90
6	Uso adecuado	90
7	Descripción técnica	91
8	Manejo del generador	93
9	Limpiar el generador	100
10	Mantenimiento del generador	101
11	Solución de averías	107
12	Garantía legal	109
13	Gestión de residuos	109
14	Datos técnicos	110

1 Aclaración de los símbolos

**¡ADVERTENCIA!**

Indicación de seguridad: su incumplimiento puede acarrear la muerte o graves lesiones.

**¡ATENCIÓN!**

Indicación de seguridad: su incumplimiento puede acarrear lesiones.

**¡AVISO!**

Su incumplimiento puede acarrear daños materiales y perjudicar el correcto funcionamiento del producto.

**NOTA**

Información adicional para el manejo del producto.

- **Paso a seguir:** este símbolo le indica que debe realizar un paso. Todos los procedimientos necesarios se describen paso a paso.
- ✓ Este símbolo describe el resultado de un paso realizado.

Fig. 1 5, página 3: esta indicación hace referencia a un elemento de una figura, en este ejemplo a la “Posición 5 en la figura 1 de la página 3”.

2 Indicaciones de seguridad

El fabricante declina toda responsabilidad ante daños ocurridos en los siguientes casos:

- daños en el producto debido a influencias mecánicas y sobretensiones
- modificaciones realizadas en el producto sin el expreso consentimiento del fabricante
- utilización del aparato para fines distintos a los descritos en las instrucciones.

El fabricante no se hace responsable de ningún daño resultante, especialmente de los daños resultantes que pudieran producirse como consecuencia de una avería en el generador.

Al utilizar los aparatos eléctricos, respete las siguientes normas básicas de seguridad para protegerse de:

- descargas eléctricas
- peligro de incendio
- lesiones

2.1 Seguridad básica



¡ADVERTENCIA!

- **¡Los aparatos eléctricos no son juguetes!**

Los niños no tienen capacidad de percibir los peligros que representan los aparatos eléctricos. No deje que los niños usen aparatos eléctricos sin estar bajo su vigilancia.

- Las personas (incluidos los niños) que, debido a sus capacidades físicas, sensoriales o mentales, a su falta de experiencia o a desconocimiento, no pueden utilizar el aseo portátil de forma segura, no tienen permitido utilizar este aseo portátil sin la vigilancia y las instrucciones de una persona sobre la que recae tal responsabilidad.
- Utilice el aseo portátil solo para aquellos fines para los que ha sido concebido.
- No realice modificaciones en el aparato.
- Solo personal técnico que conozca tanto los posibles peligros relacionados con el uso de generadores como las normas correspondientes tiene autorización para realizar las tareas de instalación y la reparación del generador. Las reparaciones que se realicen incorrectamente pueden dar lugar a situaciones de considerable peligro. En caso de reparaciones, diríjase a la filial del fabricante en su país (direcciones al dorso).
- Los gases de escape contienen monóxido de carbono, un gas tóxico inoloro e incoloro. No inhale los gases de escape. No deje el motor del generador en un garaje cerrado ni en un recinto sin ventanas.

**¡ATENCIÓN!**

- El generador solo se puede utilizar con la tapa cerrada.
- Retire de los alrededores del generador todas las sustancias fácilmente inflamables como gasolina, barniz, disolventes, etc.
- Asegúrese de que ninguna parte del generador que se caliente durante el funcionamiento pueda entrar en contacto con ninguna sustancia fácilmente inflamable.
- Para llenar el depósito del generador, éste debe estar apagado y en un área bien ventilada. La gasolina y el gas líquido son altamente inflamables y pueden provocar explosiones.
- No llene el depósito del generador cuando el motor del vehículo esté en marcha si el depósito de este último se encuentra cerca del generador.
- **Solo TEC29:** Si se derrama gasolina, límpiela a fondo y espere a que dejen de emanar los efluvios antes de encender el motor.
- **Solo TEC29LPG:** Compare la indicación de presión dada en la placa de características con la que figura en la bombona de gas líquido.
- **Solo TEC29LPG:** Nunca guarde las bombonas de gas licuado en lugares sin ventilación o bajo el nivel del suelo (hoyos en forma de embudo).
- **Solo TEC29LPG:** Proteja las bombonas de gas licuado de las radiaciones solares directas. La temperatura no debe superar los 50 °C.
- No toque el generador ni los cables con las manos húmedas.
- Los fusibles e interruptores térmicos se han de cambiar por otros que presenten las mismas características técnicas.
- No ponga el generador en funcionamiento automático estando cerca de fuentes de ignición (por ejemplo, gasolineras o terrenos muy secos con peligro de incendio forestal).

**¡AVISO!**

- **Solo TEC29:** No llene demasiado el depósito de gasolina. En el cuello del depósito no debe haber nada de gasolina. Controle si la tapa está bien cerrada.

2.2 Seguridad durante el funcionamiento del aparato



¡ADVERTENCIA!

- Siempre que realice tareas en el aparato desconecte la alimentación de corriente.



¡AVISO!

- Utilice el aparato sólo cuando la carcasa y los cables no presenten daños.

3 Destinatarios de estas instrucciones

Estas instrucciones de uso van dirigidas al usuario del generador.

4 Volumen de entrega

TEC29

Denominación	Número de artículo
Generador TEC29	9102900200
AG 102, relé de conmutación para establecer una conexión de prioridad	9102900013
Instrucciones de montaje	
Instrucciones de uso	

TEC29LPG

Denominación	Número de artículo
Generador TEC29LPG	9102900179
AG 102, relé de conmutación para establecer una conexión de prioridad	9102900013
Instrucciones de montaje	
Instrucciones de uso	

5 Accesorios

Disponibles como accesorio (no incluidos en el volumen de entrega):

Nombre de las piezas	Número de artículo
Solo TEC29: AG 101, depósito de 15 l, plástico	9102900009
Solo TEC29: AG 100, depósito de 20 l, acero inoxidable	9102900011
Solo TEC29: AG 150, juego de mangueras para AG 100 / AG 101	9102900003
AG 125, manguera de metal flexible para prolongar el conducto de gases de escape, 5 m	9102900138
AG 128, junta para TEC29	9102900040

6 Uso adecuado

Los generadores TEC29 (n.º de art. 9102900200) y TEC29LPG (n.º de art. 9102900179) están concebidos para su uso en autocaravanas, caravanas y vehículos de uso comercial.

El generador **no** se ha concebido para ser instalado en embarcaciones.

El generador genera una tensión alterna senoidal de 230 V/50 Hz a la que se pueden conectar consumidores con una carga total constante de 2600 W. La calidad de la corriente también resulta adecuada para consumidores sensibles (por ejemplo, PCs).

El generador puede cargar una batería de 12 V.

7 Descripción técnica

Los generadores TEC29 y TEC29LPG constan de los siguientes elementos principales (fig. **1**, página 3):

- Motor de combustión (**1**)
- Generador de corriente trifásica (**2**) con imanes permanentes
- Inversor (**3**)
- Panel de conexión (**4**)
- Control remoto (**5**)

El motor de combustión (**1**) pone en rotación el generador de corriente trifásica (**2**), que está unido a él de forma fija, y el generador crea una tensión alterna.

El inversor (**3**) convierte esta tensión alterna en una tensión estable de 230 V y 50 Hz.

En el panel de conexión (**4**) están los terminales de conexión, la toma para el cable de conexión al control remoto (**5**) y el interruptor principal.

Vista general de todos los componentes:

- TEC29: fig. **10**, página 8.
- TEC29LPG: fig. **11**, página 9

El generador ofrece las siguientes posibilidades:

- Cargador de batería integrado para cargar la batería conectada
- Modo automático para cargar automáticamente la batería conectada (debe estar ya debidamente configurada antes del montaje).

Elementos de mando en la caja de conexión

La caja de conexión se encuentra en el generador, detrás de la cubierta.

Pos. en fig. 2 , página 4	Descripción	
1	Interruptor principal	Enciende y apaga el generador.
2	Solo TEC29: Interruptor de protección	Protección electromecánica contra sobrecarga.
3	Solo TEC29LPG: Fusible principal	Salta cuando se produce una sobrecarga en el lado de tensión alterna. Se debe cambiar el cortocircuito fusible cuando salta.
4	Solo TEC29LPG: Fusible del cargador de batería	Salta cuando se produce una sobrecarga en el lado de tensión continua. Se debe cambiar el cortocircuito fusible cuando salta.

Elementos de mando del control remoto

El control remoto está dispuesto en el interior del vehículo.

Pos. en fig. 3 , página 4	Descripción	
1	Pantalla	Indica mensajes de estado.
2	Interruptor On/Off "⏻"	Enciende y apaga el control remoto cuando el interruptor principal está en "I" o en "1". Detiene el generador.
3	Pulsador de arranque "START"	Pone en marcha el generador cuando el control remoto está encendido y el interruptor principal está en "I" o "1".
4	Solo TEC29: Indicación de gasolina	Se ilumina cuando el nivel de gasolina está en la reserva.
5	Indicación de aceite	Se ilumina cuando el nivel de aceite del motor es demasiado bajo.

Indicaciones de display

Pos. en fig. 3, página 4	Descripción	
6	Tensión alterna	Tensión de salida actual
7	Potencia constante	Potencia actual de los consumidores conectados
8	Horas de funcionamiento	Tiempo que el generador está en funcionamiento
9	Tensión continua	Tensión de la batería
10	Mensajes	Mensaje de estado del generador (véase capítulo "Mensajes de pantalla" en la página 96)

8 Manejo del generador



¡AVISO!

En las primeras 50 horas de funcionamiento (fase inicial) no utilice el generador a más del 70 % de su potencia constante máxima.



NOTA

Tras la fase inicial, no utilice el generador a más de aproximadamente el 75 % de su potencia constante máxima. Así podrá prolongar la vida útil del generador y maximizar su rendimiento.

8.1 Indicaciones básicas para el manejo



¡ATENCIÓN! ¡Peligro de sufrir lesiones!

No introduzca el dedo ni ningún objeto en las toberas de aire ni en la rejilla de aspiración.

Tenga en cuenta las siguientes indicaciones básicas:

- Controle el nivel de aceite antes de cada uso (capítulo “Controlar el nivel de aceite” en la página 98).
- **Solo TEC29LPG:** Antes de cada uso, controle la estanqueidad de la línea de alimentación de gas utilizando para ello un spray detector de fugas.
- También, con el tiempo, las sobrecargas pequeñas hacen que el interruptor térmico (**TEC29**) o los fusibles (**TEC29LPG**) salten.
- Tras el uso, deje el generador unos minutos en funcionamiento sin consumidores antes de pararlo.
- Las frenadas bruscas, las aceleraciones y los trayectos en curva pueden causar problemas en el sistema de bombeo del generador y provocar que se apague imprevistamente.
- Si no se utiliza el generador durante bastante tiempo, póngalo en marcha por lo menos una vez al mes durante un mínimo de 15 minutos.

8.2 Encender o apagar el generador

Con el interruptor principal (fig. **2** 1, página 4) de la caja de conexión, se pone en standby y se apaga el generador.

8.3 Encender y apagar el control remoto

Con el interruptor On/Off (fig. **3** 2, página 4) del control remoto se enciende y apaga el mismo.

► Encienda el control remoto con el interruptor On/Off.

✓ La pantalla muestra: *GEN OFF*.

La pantalla se apaga automáticamente tras 5 minutos si durante este tiempo no se ha accionado el pulsador de arranque.

Pulsando dicho pulsador se puede volver a encender la pantalla.

✓ Ahora se puede poner en marcha el generador.

8.4 Poner en marcha el generador

El generador solo se puede poner en marcha si está en standby y si el control remoto está encendido.



NOTA

Cuando el generador todavía está caliente solo es necesario apretar brevemente el pulsador de arranque para ponerlo en marcha, y si está frío, hay que apretarlo durante más tiempo.

- Ponga en marcha el generador con el pulsador de arranque (fig. **3** 3, página 4).

8.5 Parar el generador

- Pare el generador con el interruptor de On/Off (fig. **3** 2, página 4).
Si el generador no se para: apáguelo con el interruptor principal (fig. **2** 1, página 4).

8.6 Mensajes de pantalla

Indicación en pantalla Descripción	Comportamiento del generador	Medidas
<i>LOW BATTERY</i> La tensión de batería ha descendido por debajo del valor mínimo necesario para intentar arrancar (9 V).	El generador no arranca.	Cargue la batería.
<i>OIL CHANGE</i> El contador de horas de funcionamiento ha alcanzado el valor establecido para cambiar el aceite del motor.	El generador sigue en marcha.	Cambie el aceite (véase capítulo “Cambiar el aceite (fig. 6, página 6)” en la página 103) y seguidamente vuelva a poner en marcha el generador pulsando prolongadamente el pulsador de arranque.
<i>NO FUEL</i> La gasolina del depósito está en la reserva.	El generador sigue en marcha.	Llenar el depósito.
<i>OIL ALERT</i> Falta aceite del motor.	El generador se para.	Rellenar aceite (véase capítulo “Controlar el nivel de aceite” en la página 98).
<i>GENERATOR ALERT!</i> Mensaje general de alarma Ejemplo: El anillo de control de la válvula de estrangulación del carburador (motor paso a paso) está averiado.	El generador se para.	Compruebe el sistema con ayuda de la tabla de averías, causas y soluciones. En caso de que no sea posible eliminar el problema, diríjase a la filial del fabricante en su país (direcciones al dorso).
<i>OVERLOAD!</i> Los consumidores generan una sobrecarga en la salida.	El inversor se desactiva, por lo que deja de haber tensión y el motor sigue en rotación hasta que se para.	Disminuya la carga y vuelva a poner en marcha el generador.
<i>SHORT CIRCUIT</i> Los consumidores provocan un cortocircuito en la salida.	El inversor se desactiva, por lo que deja de haber tensión y el motor sigue en rotación hasta que se para.	Controle el estado de los consumidores conectados y seguidamente vuelva a poner en marcha el generador.
<i>OVER TEMPERATURE</i> Sobrecalentamiento	El inversor se desactiva, por lo que deja de haber tensión y el motor sigue en rotación para enfriar el generador.	Deje enfriar el generador durante unos minutos y seguidamente vuelva a poner en marcha el generador.

Indicación en pantalla Descripción	Comportamiento del generador	Medidas
<i>LOW POWER ENGINE</i> Caída de la tensión de alimentación del inversor.	El generador se para.	Disminuya la carga y vuelva a poner en marcha el generador.
<i>RESTART GEN?</i> Mensaje que aparece tras una parada del generador por sobrecalentamiento.	El generador está apagado.	Para poner nuevamente en marcha el generador, apriete el pulsador de arranque.
<i>GEN CAL</i> Mensaje que aparece al poner en marcha el generador; muestra la fase de calibración que antecede a cada puesta en marcha. El generador todavía suministra tensión.	El generador gira, pero no genera tensión.	Espere un momento.
<i>GEN WAIT</i> Mensaje que aparece en el intermedio entre dos intentos de arranque.	El generador está apagado.	Espere hasta que desaparezca el mensaje y seguidamente vuelva a intentar nuevamente el arranque.
<i>GEN ON</i> Funcionamiento normal del generador	Funcionamiento normal	–
<i>GEN OFF</i>	El generador está en standby y se puede encender.	–
<i>AUTO?</i> Mensaje que aparece al activar el modo automático	El control espera a la introducción del usuario	En el espacio de 20 segundos, presione el pulsador de arranque durante 3 segundos.
<i>AUTO</i> Modo automático	El modo automático está activado	–

8.7 Controlar el nivel de aceite



¡ATENCIÓN!

El aceite caliente puede provocar quemaduras. Para comprobar el nivel de aceite el generador debe estar apagado.



NOTA

El generador debe estar en horizontal.

Controle el nivel de aceite antes de cada uso. Para ello proceda de la siguiente manera:

- Abra la tapa del generador.
- Apague el generador con el interruptor principal (fig. 4 1, página 5).
- Desconecte la conexión al polo positivo de la batería de alimentación.
- Extraiga la varilla de medición (fig. 4 2, página 5) del tubo de llenado (fig. 4 3, página 5).
- Limpie la varilla de medición (fig. 4 2, página 5) con un paño.
- Introduzca la varilla de medición (fig. 4 2, página 5) totalmente en el tubo de llenado (fig. 4 3, página 5).
- Extraiga la varilla de medición (fig. 4 2, página 5) del tubo de llenado.
- Controle si el nivel de aceite está entre la marca (nivel de llenado máximo) y la punta de la varilla de medición (fig. 4 4, página 5).
De no ser así, rellene aceite.
- Introduzca la varilla de medición (fig. 4 2, página 5) totalmente en el tubo de llenado (fig. 4 3, página 5).
- Conecte el generador con el polo positivo de la batería de alimentación.
- Con el interruptor principal (fig. 4 1, página 5) ponga el generador en standby.
- Cierre la tapa del generador.

8.8 Activar el modo automático

Solo se puede activar el modo automático:

- si se ha configurado al montar el generador
- si el vehículo está parado y el encendido está desconectado
- si el interruptor para modo automático (si se dispone de él) está encendido

En el modo automático, cuando la tensión de la batería conectada es demasiado baja, el generador se activa automáticamente para cargar la batería.

El generador se desconecta automáticamente cuando la batería está plenamente cargada.

Para activar el modo automático:

- Encienda el interruptor de modo automático (si se dispone de él).
- Desconecte el encendido.
- Active el mando a distancia pulsando el interruptor On/Off.
- ✓ En la pantalla se muestra: *AUTO?*



NOTA

Si la pantalla muestra *GEN OFF* en lugar de *AUTO?*, esto significa que en su generador no está configurado el modo automático. En este caso diríjase al taller que haya relaizado el montaje para que equipen allí el modo automático.

- En el espacio de 20 segundos presione el pulsador de arranque durante 3 segundos.
- ✓ En la pantalla se muestra: *AUTO*.
- El modo automático está activado.



NOTA

En el modo automático, el generador no se puede poner en marcha con el pulsador de arranque. El generador arranca automáticamente.

El generador se puede encender y apagar con el interruptor para modo automático (si se dispone de él).

8.9 Desactivar el modo automático

➤ Apague el interruptor para modo automático (si se dispone de él).

O bien...

➤ Conecte el encendido.

✓ En la pantalla se muestra: *GEN OFF*.

9 Limpiar el generador



¡AVISO! Peligro de ocasionar daños materiales

- No limpie el generador con un limpiador de alta presión. La entrada de agua podría dañar el generador.
- Para la limpieza no utilice ningún objeto afilado o duro ni detergentes, ya que ello podría dañar el generador.
- Para limpiar el generador utilice únicamente agua con un detergente suave. No utilice bajo ningún concepto gasolina, diesel o disolventes.

➤ Limpie de vez en cuando la carcasa del generador con un paño húmedo.

➤ Limpie con regularidad las aberturas de ventilación del generador. Al hacerlo preste atención a no dañar las láminas del generador.

10 Mantenimiento del generador

10.1 Tabla de mantenimiento



¡ADVERTENCIA!

Encargue todos los trabajos de mantenimiento a personal especializado que conozca las normativas permanentes. Los trabajos de mantenimiento que se realicen incorrectamente pueden dar lugar a situaciones de considerable peligro.



NOTA

Encargue la realización de los siguientes trabajos de mantenimiento en los intervalos indicados o tras el número de horas de funcionamiento indicadas, dependiendo de qué se produzca antes.

Intervalo	Comprobación/mantenimiento
El primer mes o después de 20 h	<ul style="list-style-type: none"> ➤ Haga cambiar el aceite. ➤ Encargue el mantenimiento del filtro de aire (capítulo “Mantenimiento del filtro de aire (fig. 7, página 6)” en la página 104).
Cada 3 meses o después de 50 h	<ul style="list-style-type: none"> ➤ Encargue el mantenimiento del filtro de aire (capítulo “Mantenimiento del filtro de aire (fig. 7, página 6)” en la página 104).
Cada 6 meses o después de 100 h	<ul style="list-style-type: none"> ➤ Haga cambiar el aceite. ➤ Encargue el mantenimiento de la bujía de encendido (capítulo “Mantenimiento de la bujía de encendido” en la página 106).
Una vez al año o cada 300 h	<ul style="list-style-type: none"> ➤ Encargue el mantenimiento de las válvulas. ➤ Solo TEC29: Encargue el mantenimiento del depósito de gasolina y del filtro de combustible. ➤ Encargue el mantenimiento del amortiguador de vibraciones.
Cada dos años	<ul style="list-style-type: none"> ➤ Solo TEC29: Encargue el mantenimiento de los conductos de gasolina. ➤ Solo TEC29LPG: Encargue el mantenimiento de los conductos de gas.

10.2 Preparativos de los trabajos de mantenimiento



¡ATENCIÓN!

Para todos los trabajos de mantenimiento tenga en cuenta:

- El generador no debe estar en funcionamiento.
- Todas las piezas deben estar frías.

- Apague el generador con el interruptor principal (fig. **4** 1, página 5).
- Desconecte la conexión al polo positivo de la batería de alimentación.
- Abra la tapa del generador.

Para los trabajos de mantenimiento se puede extraer el generador (fig. **5**, página 5):



¡ADVERTENCIA!

La placa soporte con el generador es muy pesada (> 40 kg) y se puede caer de la carcasa si la extrae excesivamente.

- Afloje los tornillos de fijación (1).
- Extraiga la placa soporte (2) con el generador de la carcasa (3).

10.3 Finalizar los trabajos de mantenimiento

- Conecte el generador con el polo positivo de la batería de alimentación.
- Con el interruptor principal (fig. **4** 1, página 5) ponga el generador en standby.
- Cierre la tapa del generador.

10.4 Cambiar el aceite (fig. 6, página 6)



¡ATENCIÓN!

El aceite caliente puede provocar quemaduras.



¡AVISO!

El aceite usado debe eliminarlo o reciclarlo una empresa especializada. Respete a este efecto las leyes relativas a la protección del medio ambiente que rijan en el país en el que se encuentre.

Puede utilizar los siguientes aceites:

- Aceite para motor de cuatro tiempos de las clases API SG o SF.
- Aceite de la clase SAE 10W-30 (se puede utilizar con todas las temperaturas).
- Aceite con viscosidad de gama única.
Seleccione la viscosidad adecuada en función de la temperatura media del lugar.

Para cambiar el aceite:

- Deje que el generador se caliente funcionando entre tres y cinco minutos para que el aceite se haga más líquido y salga así más rápidamente y por completo.
- Coloque un recipiente adecuado debajo del tornillo de purga (1).
- Extraiga el tornillo de purga (1).
- ✓ El aceite sale.
- Llene aceite limpio por los tubos de llenado.
La cantidad de aceite es de 0,6 l.

10.5 Mantenimiento del filtro de aire (fig. 7, página 6)



¡ADVERTENCIA! ¡Peligro de explosión!

Para limpiar el filtro de aire no utilice aceite diésel ni disolventes con un bajo punto de evaporación, pues podrían inflamarse o explotar.



¡AVISO!

No ponga nunca el motor en funcionamiento sin filtro de aire, pues ello provocaría un desgaste prematuro del motor.



NOTA

Si el filtro de aire está sucio, disminuye la corriente de aire hacia el carburador. Para que el carburador funcione bien es necesario controlar a intervalos regulares el estado del filtro. Contrólolo con más frecuencia si el generador se utiliza en un entorno especialmente polvoriento.

- Prepare los trabajos de mantenimiento y extraiga un poco el generador de la carcasa; véase capítulo “Preparativos de los trabajos de mantenimiento” en la página 102.
- Retire la tuerca de mariposa (1) y la tapa del filtro (2).
- Retire la tuerca de mariposa (3).
- Extraiga el filtro de aire (4).
El filtro de aire consta de dos elementos: un filtro de esponja y un filtro de papel.
- Controle detalladamente el estado de ambos elementos de filtro. Cambie los elementos de filtro dañados.
- Limpie los elementos de filtro que no estén dañados; consulte para ello los siguientes apartados.
- Finalice los trabajos de mantenimiento; véase al respecto el capítulo “Finalizar los trabajos de mantenimiento” en la página 102.

Limpiar el filtro de esponja

- Lave la esponja con una solución de detergente neutra y enjuáguelo bien.
- Deje que la esponja se seque del todo.
- Impregne la esponja con aceite de motor limpio.
- Exprima el aceite sobrante.

Limpiar el filtro de papel

- Elimine la suciedad golpeando repetidamente con suavidad el papel contra una superficie dura o bien soplando aire comprimido de dentro hacia fuera.
No cepille el papel, pues con ello penetraría la suciedad en las fibras del filtro de papel.
- Si el filtro de papel está muy sucio, cámbielo.

10.6 Mantenimiento de la bujía de encendido



¡AVISO!

- Apriete cuidadosamente la bujía de encendido. Una bujía no bien apretada se puede calentar mucho y provocar daños en el motor.
- Utilice únicamente bujías equivalentes.
- Al colocar una nueva bujía de encendido, apriétela media vuelta cuando esté fija sobre la arandela. En el caso de bujías de encendido ya usadas basta con 1/4 o 1/8 de vuelta.

- Prepare los trabajos de mantenimiento; véase al respecto el capítulo “Preparativos de los trabajos de mantenimiento” en la página 102.
- Desenchufe la bujía.
- Extraiga la bujía con una llave de bujías.
- Controle la bujía con una inspección visual.
Si la bujía presenta síntomas obvios de desgaste o si el aislador está dañado o roto, deberá cambiar la bujía.
Si la bujía únicamente está sucia, límpiela con un cepillo metálico.
- Mida la distancia entre los electrodos con un medidor de espesores (fig. 8, página 7). La distancia debe ser entre 0,7 y 0,8 mm, y si es necesario se puede corregir doblando el electrodo.
- Compruebe si la junta de la bujía está intacta.
- De ser así, enrosque manualmente la bujía para evitar que se dañe la rosca.
- Apriete la bujía con una llave de bujías de modo que se presione la arandela de apoyo.
- Finalice los trabajos de mantenimiento; véase al respecto el capítulo “Finalizar los trabajos de mantenimiento” en la página 102.

11 Solución de averías

Avería	Causa	Solución
Al presionar el pulsador On/Off, no se enciende el control remoto.	Batería de arranque descargada.	➤ Cargue la batería de arranque.
	Cable de corriente interrumpido o enchufe extraído.	➤ Diríjase a un taller autorizado.
	Cable de masa del generador interrumpido o ha saltado el fusible (en caso de haberlo).	
Al presionar el pulsador de arranque no gira el motor de arranque.	Batería de arranque descargada.	➤ Cargue la batería de arranque.
	El interruptor principal está en "0".	➤ Coloque el interruptor principal en la posición "1" o "1".
	Eje del motor de arranque sucio.	➤ Limpie el eje del motor de arranque.
	Demasiado aceite en el motor.	➤ Deje salir el aceite.
	Inversor dañado.	➤ Diríjase a un taller autorizado.
	Cable de corriente interrumpido o enchufe extraído.	
	Cable de masa del generador interrumpido o ha saltado el fusible (en caso de haberlo).	
El motor de arranque gira, pero el generador no se pone en marcha.	El motor de arranque no recibe alimentación de corriente.	
	No hay gasolina/GLP.	➤ Rellene gasolina/GLP.
	La bujía de encendido no recibe alimentación de corriente.	➤ Compruebe las conexiones eléctricas.
	El carburador no recibe alimentación de gasolina.	➤ Limpie el carburador.
	Aspiración de aire obstruida.	➤ Controle el filtro de aire (véase capítulo "Mantenimiento del filtro de aire (fig. 7, página 6)" en la página 104).
	La temperatura ambiente es inferior a 0 °C.	➤ Utilice gas propano puro.
	Inversor dañado.	➤ Diríjase a un taller autorizado.
	Cable de corriente interrumpido o enchufe extraído.	

Avería	Causa	Solución
El generador tiende a apagarse.	Demasiado aceite en el motor.	➤ Deje salir el aceite.
	Carga superior a 2,6 kW.	➤ Desconecte los consumidores.
	El carburador no recibe alimentación de gasolina.	➤ Limpie el carburador.
	Aspiración de aire obstruida.	➤ Controle el filtro de aire (véase capítulo "Mantenimiento del filtro de aire (fig. 7, página 6)" en la página 104).
	Inversor dañado.	➤ Diríjase a un taller autorizado.
	Electroimán bloqueado.	
	Filtro de aire sucio.	
El generador se ha puesto en marcha, pero no genera tensión.	Inversor dañado.	➤ Diríjase a un taller autorizado.
	Motor paso a paso averiado o cable interrumpido.	
	Electroimán bloqueado.	
	Válvula de estrangulación bloqueada.	
El generador arranca con una fuerte aceleración pero se para con el mensaje "GENERATOR ALERT".	Inversor dañado.	➤ Diríjase a un taller autorizado.
	Motor paso a paso averiado o cable interrumpido.	
La tensión generada es inestable.	Inversor dañado.	➤ Diríjase a un taller autorizado.
	Motor paso a paso averiado o cable interrumpido.	

12 Garantía legal

Rige el plazo de garantía legal. Si el producto presenta algún defecto, diríjase a nuestro socio de servicio en su país (ver direcciones en el dorso de este manual).

Nuestros especialistas estarán encantados de poder ayudarle y de poder orientarle en los siguientes pasos a dar respecto a la garantía.

13 Gestión de residuos

- Deseche el material de embalaje en el contenedor de reciclaje correspondiente.



Cuando vaya a desechar definitivamente el producto, infórmese en el centro de reciclaje más cercano o en un comercio especializado sobre las normas pertinentes de eliminación de materiales.



¡Proteja el medio ambiente!

Las baterías y pilas no son basura doméstica.

Entregue las baterías defectuosas o las pilas vacías en un establecimiento o deposítelas en un contenedor especializado.

14 Datos técnicos

	Dometic TEC29	Dometic TEC29LPG
Art. n.º:	9102900200	9102900179
Tensión nominal de salida:	230 V~ / 50 Hz	
Potencia constante máxima (a 25 °C a la altura del nivel del mar):	2600 W	
Tensión de salida del cargador de batería:	12 V ===	
Corriente máx. de salida del cargador de batería:	10 A	
Rango de temperatura de funcionamiento:	de -15 °C a +50 °C	de -15 °C a +50 °C (dependiendo de la proporción de propano en el LPG)
Factor de distorsión:	1 %	
Combustible:	Gasolina normal ROZ 91	Gas líquido GLP
Consumo:	300 g/kWh Máx. 1,2 l/h	408 g/kWh Máx. 1,0 kg/h
Potencia del motor:	4,0 kW (5,5 CV)	
Nivel de ruido garantizado:	86 dB(A)	
Nivel de ruido a 7 m:	de 54 a 59 dB(A)	
Dimensiones:	Véase fig. 9 , página 7	
Peso:	44 kg	
Homologación/Certificados:		

Prima di effettuare la messa in funzione, leggere accuratamente questo manuale di istruzioni, conservarlo e, nel caso in cui il prodotto venga consegnato ad un altro utente, consegnare anche le relative istruzioni.

Indice

1	Spiegazione dei simboli	111
2	Indicazioni di sicurezza	112
3	Destinatari di queste istruzioni	114
4	Dotazione	115
5	Accessori	115
6	Uso conforme alla destinazione	116
7	Descrizione tecnica	116
8	Impiego del generatore	119
9	Pulizia del generatore	125
10	Manutenzione del generatore	126
11	Eliminazione dei guasti	132
12	Garanzia	134
13	Smaltimento	134
14	Specifiche tecniche	135

1 Spiegazione dei simboli



AVVERTENZA!

Avviso di sicurezza: la mancata osservanza di questo avviso può causare ferite gravi anche mortali.



ATTENZIONE!

Avviso di sicurezza: la mancata osservanza di questo avviso può essere causa di lesioni.

**AVVISO!**

La mancata osservanza di questa nota può causare danni materiali e compromettere il funzionamento del prodotto.

**NOTA**

Informazioni integranti relative all'impiego del prodotto.

➤ **Modalità di intervento:** questo simbolo indica all'utente che è necessario un intervento. Le modalità di intervento necessarie saranno descritte passo dopo passo.

✓ Questo simbolo descrive il risultato di un intervento.

Fig. 1 5, pagina 3: questi dati si riferiscono ad un elemento in una figura, in questo caso alla “posizione 5 nella figura 1 a pagina 3”.

2 Indicazioni di sicurezza

Il produttore non si assume nessuna responsabilità per danni nei seguenti casi:

- danni al prodotto dovuti a influenze meccaniche o a sovratensioni
- modifiche al prodotto senza esplicita autorizzazione del produttore
- impiego per altri fini rispetto a quelli descritti nel manuale di istruzioni

Non si assume nessuna responsabilità per danni indiretti in particolare anche per quei danni indiretti derivanti da un mancato funzionamento del generatore.

Durante l'uso di apparecchi elettrici attenersi alle misure di sicurezza fondamentali descritte qui di seguito per proteggersi da:

- scosse elettriche
- pericolo di incendio
- lesioni

2.1 Sicurezza di base



AVVERTENZA!

- **Gli elettrodomestici non sono giocattoli!**

I bambini non sono in grado di valutare correttamente i pericoli connessi con gli apparecchi elettrici. Non permettere l'uso di apparecchi elettrici ai bambini se non in presenza di adulti.

- Persone (bambini compresi) che a causa della proprie capacità fisiche, sensoriali o mentali, oppure che a causa della propria inesperienza e scarsa conoscenza non siano in grado di utilizzare l'apparecchio in modo sicuro, devono evitare di utilizzarlo se non in presenza e seguendo le istruzioni di una persona per loro responsabile.
- Utilizzare l'apparecchio solamente per un uso conforme alla sua destinazione.
- Non eseguire modifiche o trasformazioni all'apparecchio!
- I lavori di installazione, manutenzione e riparazione del generatore devono essere effettuati solo da personale qualificato informato sui pericoli connessi all'uso dei generatori e a conoscenza delle relative prescrizioni. Le riparazioni effettuate in modo scorretto potrebbero causare rischi enormi. In caso di riparazioni rivolgersi alla filiale del produttore nel vostro Paese (gli indirizzi si trovano sul retro del presente manuale).
- I gas di scarico contengono monossido di carbonio, un gas inodore e incolore altamente tossico. Non respirare i gas di scarico. Non fare funzionare il motore del generatore in un garage chiuso o in un ambiente senza finestre.



ATTENZIONE!

- Il generatore deve essere impiegato solo con sportello chiuso.
- Rimuovere tutti i materiali facilmente infiammabili quali benzina, vernici, solventi ecc. che si trovano nelle vicinanze del generatore.
- Assicurarsi che nessun pezzo del generatore che diventa caldo venga a contatto con materiali facilmente infiammabili.
- Rifornire il generatore solo se è spento e si trova in un ambiente ben aerato. La benzina e il gas liquido sono altamente infiammabili e possono esplodere.
- Non rifornire il generatore con motore del veicolo acceso se il serbatoio si trova nelle vicinanze del generatore.

- **Solo TEC29:** se viene versata benzina, pulire bene e attendere prima di accendere il motore finché i vapori si siano dispersi.
- **Solo TEC29LPG:** confrontare i dati della pressione riportati sulla targhetta con quelli indicati sulla bombola di gas liquido.
- **Solo TEC29LPG:** non conservare **mai** le bombole di gas liquido in luoghi non aerati o al di sotto del livello del terreno (avvallamenti del terreno a forma di imbuto).
- **Solo TEC29LPG:** proteggere le bombole di gas liquido dalla diretta esposizione dei raggi solari. La temperatura non deve superare i 50 °C.
- Non toccare il generatore e i cavi con mani umide.
- Sostituire i fusibili o l'interruttore termico solo con altri con le stesse specifiche tecniche.
- Non accendere il generatore nella modalità automatica nelle vicinanze di fonti di accensione (ad es. stazioni di rifornimento, su terreno asciutto con pericolo di incendi boschivi).

**AVVISO!**

- **Solo TEC29:** non riempire troppo il serbatoio di benzina. Nel collo del serbatoio non deve trovarsi benzina. Controllare se il coperchio è chiuso correttamente.

2.2 Sicurezza durante il funzionamento dell'apparecchio

**AVVERTENZA!**

- Interrompere sempre l'alimentazione elettrica qualora si operi sull'apparecchio.

**AVVISO!**

- Azionare l'apparecchio solamente se l'alloggiamento e i cavi non sono danneggiati.

3 Destinatari di queste istruzioni

Le presenti istruzioni per l'uso si rivolgono agli utenti del generatore.

4 Dotazione

TEC29

Denominazione	Numero articolo
Generatore TEC29	9102900200
AG 102, relè di commutazione per la creazione di un circuito prioritario	9102900013
Istruzioni di montaggio	
Istruzioni per l'uso	

TEC29LPG

Denominazione	Numero articolo
Generatore TEC29LPG	9102900179
AG 102, relè di commutazione per la creazione di un circuito prioritario	9102900013
Istruzioni di montaggio	
Istruzioni per l'uso	

5 Accessori

Disponibili come accessori (non in dotazione):

Denominazione pezzi	Numero articolo
Solo TEC29: AG 101, serbatoio da 15 l, in plastica	9102900009
Solo TEC29: AG 100, serbatoio da 20 l, in acciaio inox	9102900011
Solo TEC29: AG 150, set di flessibili per AG 100 / AG 101	9102900003
AG 125, tubo flessibile in metallo per allungare la tubazione di scarico, 5 m	9102900138
AG 128, guarnizione per TEC29	9102900040

6 Uso conforme alla destinazione

I generatori TEC29 (n. art. 9102900200) e TEC29LPG (n. art. 9102900179) sono ideati per l'impiego in camper, caravan e in veicoli per uso commerciale.

Il generatore **non** è adatto per l'installazione in natanti.

Il generatore produce una pura tensione alternata sinusoidale di 230 V/50 Hz alla quale possono essere collegate utenze con un carico di durata complessiva di 2600 W. La qualità della corrente è adatta anche per utenze sensibili (ad es. PC).

Il generatore può caricare una batteria da 12 V.

7 Descrizione tecnica

I generatori TEC29 e TEC29LPG sono costituiti dai seguenti elementi principali (fig. **1**, pagina 3):

- Motore a combustione (**1**)
- Generatore trifase (**2**) con magneti permanenti
- Inverter (**3**)
- Pannello di collegamento (**4**)
- Telecomando (**5**)

Il motore a combustione (**1**) mette in movimento il generatore trifase (**2**) ad esso collegato in modo fisso che a sua volta produce tensione alternata.

L'inverter (**3**) trasforma questa tensione alternata in una tensione stabile di 230 V e 50 Hz.

Sul pannello di collegamento (**4**) sono applicati i morsetti, la presa per il cavo di collegamento sul telecomando (**5**) e l'interruttore principale.

Panoramica di tutti gli elementi costruttivi:

- TEC29: fig. **10**, pagina 8.
- TEC29LPG: fig. **11**, pagina 9

Il generatore offre le seguenti possibilità:

- caricatore per batterie integrato per caricare la batteria collegata
- modalità automatica per caricare automaticamente la batteria collegata (per il montaggio deve essere configurata in modo corrispondente).

Elementi di comando sulla scatola di collegamento

La scatola di collegamento si trova sul generatore dietro la calotta di copertura.

Pos. a fig. 2, pagina 4	Descrizione	
1	Interruttore principale	Accende il generatore nella modalità stand-by o lo spegne.
2	Solo TEC29: Interruttore di protezione	Protezione elettromagnetica contro il sovraccarico.
3	Solo TEC29LPG: Fusibile principale	Scatta in caso di sovraccarico sul lato tensione alternata. La valvola a fusibile deve essere sostituita una volta scattata.
4	Solo TEC29LPG: Fusibile del caricatore per batterie	Scatta in caso di sovraccarico sul lato tensione continua. La valvola a fusibile deve essere sostituita una volta scattata.

Elementi di comando sul telecomando

Il telecomando si trova nell'abitacolo del veicolo.

Pos. a fig. 3 , pagina 4	Descrizione	
1	Display	Indica i messaggi di stato.
2	Interruttore On/Off “ ϕ ”	Accende e spegne il telecomando se l'interruttore principale è posizionato su “I” o “1”. Arresta il generatore.
3	Pulsante di avviamento “START”	Avvia il generatore se il telecomando è acceso e l'interruttore principale è posizionato su “I” o “1”.
4	Solo TEC29: Indicazione della benzina	È accesa se la benzina è in riserva.
5	Indicazione dell'olio	È accesa se il livello dell'olio nel motore è basso.

Indicazioni del display

Pos. a fig. 3 , pagina 4	Descrizione	
6	Tensione alternata	Tensione di uscita attuale
7	Potenza continua	Potenza attuale delle utenze collegate
8	Ore di esercizio	Tempo in cui il generatore è in esercizio
9	Tensione continua	Tensione della batteria
10	Messaggi	Per il messaggio di stato del generatore (vedi capitolo “Messaggi sul display” a pagina 121)

8 Impiego del generatore



AVVISO!

Nelle prime 50 ore di esercizio (fase di rodaggio), non sollecitare il generatore oltre il 70 % della potenza continua massima.



NOTA

Terminata la fase di rodaggio, sollecitare il generatore al massimo con un carico di ca. il 75 % della massima potenza continua. In questo modo è possibile prolungare la durata utile del generatore e ottimizzarne la potenza.

8.1 Indicazioni fondamentali per l'impiego



ATTENZIONE! Rischio di lesioni!

Non inserire le dita o eventuali oggetti nelle bocchette dell'aria o nella griglia di aspirazione.

Osservare le seguenti indicazioni fondamentali.

- Prima di ogni utilizzo controllare il livello dell'olio (capitolo "Controllo del livello dell'olio" a pagina 123).
- **Solo TEC29LPG:** prima di ogni utilizzo controllare la tenuta dell'alimentazione del gas con lo spray rilevatore di perdite.
- Anche minime sollecitazioni con il tempo fanno scattare l'interruttore automatico (**TEC29**) o i fusibili (**TEC29LPG**).
- Dopo l'uso, lasciare il generatore in esercizio alcuni minuti senza utenza prima di arrestarlo.
- Frenate brusche, accelerazioni e curve del veicolo possono provocare problemi nel sistema di pompaggio del generatore e uno spegnimento indesiderato.
- Se il generatore non viene utilizzato per un periodo prolungato, avviarlo almeno ogni 30 giorni e farlo funzionare almeno per 15 minuti.

8.2 Accensione nella modalità stand-by o spegnimento del generatore

Con l'interruttore principale (fig. **2** 1, pagina 4) posto sulla scatola di collegamento il generatore viene acceso nella modalità stand-by o viene spento.

8.3 Accensione e spegnimento del telecomando

Con l'interruttore On/Off (fig. **3** 2, pagina 4) del telecomando, quest'ultimo viene acceso e spento.

► Accendere il telecomando con l'interruttore On/Off.

✓ Il display indica: *GEN OFF*.

Il display si spegne automaticamente dopo 5 min. se in questo lasso di tempo il pulsante di avviamento non è stato premuto.

Se si preme il pulsante di avviamento il display si accende di nuovo.

✓ Il generatore ora può essere avviato.

8.4 Avvio del generatore

È possibile avviare il generatore solo se è attivato nella modalità stand-by e se il telecomando è acceso.



NOTA

Se il generatore è ancora caldo, per avviarlo, premere il pulsante di avviamento solo brevemente, se il generatore è freddo premerlo più a lungo.

► Avviare il generatore con il pulsante di avviamento (fig. **3** 3, pagina 4).

8.5 Arresto del generatore

► Arrestare il generatore con l'interruttore di accensione e spegnimento (fig. **3** 2, pagina 4).

Se il generatore non si arresta: spegnerlo con l'interruttore principale (fig. **2** 1, pagina 4).

8.6 Messaggi sul display

Messaggio sul display Descrizione	Comportamento del generatore	Misure
<p>LOW BATTERY</p> <p>La tensione della batteria è scesa al di sotto del valore minimo per l'esecuzione dei tentativi di avviamento (9 V).</p>	Il generatore non si avvia.	Caricare la batteria.
<p>OIL CHANGE</p> <p>Il numero delle ore di esercizio ha raggiunto il valore prescritto per il cambio dell'olio motore.</p>	Il generatore continua a funzionare.	Per eseguire il cambio dell'olio (vedi capitolo "Cambio dell'olio (fig. 6, pagina 6)" a pagina 128), poi riavviare il generatore tenendo premuto il pulsante di avviamento.
<p>NO FUEL</p> <p>La benzina nel serbatoio è in riserva.</p>	Il generatore continua a funzionare.	Fare rifornimento.
<p>OIL ALERT</p> <p>Manca olio motore.</p>	Il generatore si arresta.	Per rabboccare l'olio (vedicapitolo "Controllo del livello dell'olio" a pagina 123).
<p>GENERATOR ALERT!</p> <p>Messaggio di allarme generale</p> <p>Esempio: l'albero di controllo della valvola a farfalla a monte del carburatore (motore passo-passo) è guasto.</p>	Il generatore si arresta.	<p>Verificare il sistema con l'ausilio della tabella Disturbi, Cause e Rimedi.</p> <p>Se il problema persiste, rivolgersi alla filiale del produttore del vostro Paese (gli indirizzi si trovano sul retro del presente manuale).</p>
<p>OVERLOAD!</p> <p>Le utenze generano un sovraccarico sull'uscita.</p>	L'inverter si spegne, di conseguenza non viene più ceduta tensione, ma il motore continua a funzionare finché non si spegne.	Ridurre il carico collegato e riavviare il generatore.
<p>SHORT CIRCUIT</p> <p>Le utenze creano un cortocircuito sull'uscita.</p>	L'inverter si spegne, di conseguenza non viene più ceduta tensione, ma il motore continua a girare finché non si spegne.	Controllare lo stato delle utenze collegate, quindi riavviare il generatore.

Messaggio sul display Descrizione	Comportamento del generatore	Misure
<i>OVER TEMPERATURE</i> Surriscaldamento	L'inverter si spegne, di conseguenza non viene più ceduta tensione, ma il motore continua a girare per raffreddare il generatore.	Fare raffreddare il generatore, attendere qualche minuto, quindi riavviare il generatore.
<i>LOW POWER ENGINE</i> Diminuzione della tensione di alimentazione dell'inverter.	Il generatore si arresta.	Ridurre il carico collegato e riavviare il generatore.
<i>RESTART GEN?</i> Messaggio che appare dopo l'arresto del generatore per surriscaldamento.	Il generatore è spento.	Per un nuovo avvio del generatore premere il pulsante di avviamento.
<i>GEN CAL</i> Messaggio che appare all'avvio del generatore; indica la fase di calibratura che precede ogni avvio. Il generatore non cede ancora tensione.	Il generatore gira, ma non genera tensione.	Attendere un momento.
<i>GEN WAIT</i> Messaggio che appare nella pausa fra un tentativo di avvio e l'altro.	Il generatore è spento.	Attendere, finché il messaggio è scomparso, quindi eseguire un nuovo tentativo di accensione.
<i>GEN ON</i> Funzionamento normale del generatore.	Funzionamento normale	–
<i>GEN OFF</i>	Il generatore si trova in stand-by e può essere avviato.	–
<i>AUTO?</i> Messaggio che appare all'inserimento della modalità automatica	La centralina attende l'immissione da parte dell'utente	Nell'arco di 20 secondi premere il pulsante di avviamento e tenerlo premuto per 3 secondi.
<i>AUTO</i> Modalità automatica	La modalità automatica è accesa	–

8.7 Controllo del livello dell'olio



ATTENZIONE!

L'olio caldo può causare ustioni.
Controllare il livello dell'olio solo a generatore spento.



NOTA

Il generatore deve essere in posizione orizzontale.

Prima di ogni impiego, controllare il livello dell'olio. A tal fine procedere come segue.

- Aprire lo sportello del generatore.
- Rendere inattivo il generatore mediante l'interruttore principale (fig. 4 1, pagina 5).
- Staccare il collegamento per il polo positivo della batteria di alimentazione.
- Estrarre l'asta di livello (fig. 4 2, pagina 5) dal bocchettone di riempimento (fig. 4 3, pagina 5).
- Pulire l'asta di livello (fig. 4 2, pagina 5) con un panno.
- Inserire l'asta di livello (fig. 4 2, pagina 5) completamente nel bocchettone di riempimento (fig. 4 3, pagina 5).
- Estrarre l'asta di livello (fig. 4 2, pagina 5) dal bocchettone di riempimento.
- Controllare se il livello dell'olio si trova fra la tacca (livello di riempimento massimo) e la punta dell'asta di livello (fig. 4 4, pagina 5).
In caso contrario, rabboccare l'olio.
- Inserire completamente l'asta di livello (fig. 4 2, pagina 5) nel bocchettone di riempimento (fig. 4 3, pagina 5).
- Collegare il generatore al polo positivo della batteria di alimentazione.
- Attivare il generatore nella modalità stand-by con l'interruttore principale (fig. 4 1, pagina 5).
- Chiudere lo sportello del generatore.

8.8 Attivazione della modalità automatica

È possibile attivare la modalità automatica solo:

- se è stata configurata al momento del montaggio del generatore
- se il veicolo è fermo e l'accensione è spenta
- se l'interruttore per la modalità automatica (se presente) è attivato

Nella modalità automatica, il generatore si avvia automaticamente se la tensione della batteria collegata è insufficiente e carica la batteria.

Il generatore si disattiva automaticamente quando la batteria è completamente carica.

In questo modo viene inserita la modalità automatica:

- inserire l'interruttore per la modalità automatica (se presente).
 - Disinserire l'accensione.
 - Inserire il comando a distanza premendo l'interruttore On/Off.
- ✓ Sul display appare: *AUTO?*



NOTA

Se sul display appare *GEN OFF* invece di *AUTO?*, significa che il vostro generatore non è stato configurato per la modalità automatica. In questo caso rivolgersi all'officina specializzata che ha realizzato il montaggio e fatevi equipaggiare a posteriori la modalità automatica.

- Premere nell'arco di 20 secondi il pulsante di avviamento e tenerlo premuto per 3 secondi.
- ✓ Sul display appare: *AUTO*.
- La modalità automatica è inserita.



NOTA

Nella modalità automatica non è possibile avviare il generatore mediante il pulsante di avviamento. Il generatore si avvia automaticamente.

È possibile spegnere/accendere il generatore con l'interruttore per la modalità automatica (se presente).

8.9 Spegnimento della modalità automatica

➤ Disinserire l'interruttore per la modalità automatica (se presente).

oppure...

➤ Inserire l'accensione.

✓ Sul display appare: *GEN OFF*.

9 Pulizia del generatore



AVVISO! Pericolo di danni!

- Non pulire il generatore con un'idropulitrice. Infiltrazioni di acqua possono danneggiare il generatore.
- Per la pulizia non utilizzare oggetti appuntiti, duri o detergenti aggressivi, poiché possono danneggiare il generatore.
- Per la pulizia del generatore, utilizzare solo acqua con un detergente delicato. Non utilizzare in nessun caso benzina, diesel o solventi.

➤ Pulire l'alloggiamento del generatore di tanto in tanto con un panno umido.

➤ Rimuovere regolarmente la sporcizia dalle aperture di aerazione del generatore. Durante questa operazione, prestare attenzione a non danneggiare le lamelle del generatore.

10 Manutenzione del generatore

10.1 Tabella di manutenzione



AVVERTENZA!

Fare eseguire tutti i lavori di manutenzione da personale specializzato, informato sulle relative prescrizioni. I lavori di manutenzione non eseguiti correttamente possono causare enormi rischi.



NOTA

Fare eseguire i seguenti lavori di manutenzione negli intervalli indicati o dopo il numero indicato di ore di servizio a seconda del caso che si presenta prima.

Intervallo	Controllo/manutenzione
Nel primo mese oppure dopo 20 ore	<ul style="list-style-type: none"> ➤ Fare cambiare l'olio. ➤ Sottoporre il filtro dell'aria a manutenzione (capitolo "Manutenzione del filtro dell'aria (fig. 7, pagina 6)" a pagina 129).
Ogni 3 mesi oppure dopo 50 ore	<ul style="list-style-type: none"> ➤ Sottoporre il filtro dell'aria a manutenzione (capitolo "Manutenzione del filtro dell'aria (fig. 7, pagina 6)" a pagina 129).
Ogni 6 mesi oppure dopo 100 ore	<ul style="list-style-type: none"> ➤ Fare cambiare l'olio. ➤ Sottoporre la candela a manutenzione (capitolo "Manutenzione della candela" a pagina 131).
Annualmente o ogni 300 ore	<ul style="list-style-type: none"> ➤ Sottoporre le valvole a manutenzione. ➤ Solo TEC29: sottoporre il serbatoio della benzina e il filtro del carburante a manutenzione. ➤ Sottoporre l'ammortizzatore di vibrazioni a manutenzione.
Ogni 2 anni	<ul style="list-style-type: none"> ➤ Solo TEC29: sottoporre i tubi della benzina a manutenzione. ➤ Solo TEC29LPG: sottoporre le tubazioni del gas a manutenzione.

10.2 Predisposizione dei lavori di manutenzione



ATTENZIONE!

Durante lo svolgimento di tutti i lavori di manutenzione osservare quanto segue:

- il generatore non deve essere in funzione.
- Tutti i pezzi devono essere raffreddati.

- Spegnerne il generatore mediante l'interruttore principale (fig. **4** 1, pagina 5).
- Staccare il collegamento del polo positivo della batteria di alimentazione.
- Aprire lo sportello del generatore.

Per i lavori di manutenzione è possibile estrarre il generatore (fig. **5**, pagina 5):



AVVERTENZA!

La piastra di supporto con il generatore è molto pesante (> 40 kg) e può cadere dall'alloggiamento se viene estratta troppo.

- Allentare le viti di fissaggio (**1**).
- Estrarre la piastra di supporto (**2**) con il generatore dall'alloggiamento (**3**).

10.3 Conclusione dei lavori di manutenzione

- Collegare il generatore al polo positivo della batteria di alimentazione.
- Accendere il generatore nella modalità stand-by con l'interruttore principale (fig. **4** 1, pagina 5).
- Chiudere lo sportello del generatore.

10.4 Cambio dell'olio (fig. 6, pagina 6)

**ATTENZIONE!**

L'olio caldo può causare ustioni.

**AVVISO!**

Per la salvaguardia dell'ambiente, consegnare sempre l'olio usato a ditte specializzate nello smaltimento o il recupero e osservare le leggi del Paese interessato.

È possibile impiegare i seguenti oli:

- olio per motore a quattro tempi della classe API SG o SF.
- Olio della classe SAE 10W-30 (possibilità di utilizzo a qualsiasi temperatura).
- Olio con viscosità unigrado.
Scegliere la viscosità adatta in base alla temperatura locale media.

Cambiare l'olio nel modo seguente:

- fare riscaldare il motore dai tre ai cinque minuti in modo che l'olio diventi più fluido e defluisca più rapidamente e completamente.
- Mettere un contenitore adatto sotto la vite di scarico (1).
- Rimuovere la vite di scarico (1).
- ✓ L'olio defluisce.
- Aggiungere olio pulito nel rispettivo bocchettone.
La quantità di olio è: 0,6 l.

10.5 Manutenzione del filtro dell'aria (fig. 7, pagina 6)



AVVERTENZA! Pericolo di esplosione!

Per la pulizia del filtro dell'aria, non impiegare gasolio o solventi con un punto di evaporazione basso. Queste sostanze possono infiammarsi o esplodere.



AVVISO!

Non fare mai funzionare il motore senza filtro dell'aria, altrimenti il motore si usura rapidamente.



NOTA

Se il filtro dell'aria è sporco, il flusso d'aria verso il carburatore viene ridotto. Per un buon funzionamento del carburatore, è necessario controllare regolarmente lo stato del filtro. Controllarlo più spesso quando il generatore viene impiegato in un ambiente particolarmente polveroso.

- Predisporre i lavori di manutenzione e tirare fuori leggermente il generatore dall'alloggiamento: vedi capitolo "Predisposizione dei lavori di manutenzione" a pagina 127.
- Rimuovere il dado ad alette (1) e la copertura del filtro (2).
- Rimuovere il dado ad alette (3).
- Rimuovere il filtro dell'aria (4).

Il filtro dell'aria è costituito da due elementi: un filtro di spugna e un filtro di carta
- Controllare accuratamente lo stato di entrambi gli elementi del filtro. Sostituire gli elementi del filtro danneggiati.
- Per pulire gli elementi del filtro danneggiati: vedi i seguenti paragrafi.
- Per concludere i lavori di manutenzione vedi capitolo "Conclusione dei lavori di manutenzione" a pagina 127.

Pulizia del filtro di spugna

- Lavare la spugna con una soluzione detergente neutra e sciacquarla accuratamente.
- Lasciare asciugare la spugna completamente.
- Impregnare la spugna con olio motore pulito.
- Espellere l'olio in eccedenza.

Pulizia del filtro di carta

- Liberare la carta dalle impurità con ripetuti colpi su una superficie rigida o soffiare il filtro dall'interno verso l'esterno con aria compressa.
Non pulire la carta con una spazzola perché in questo modo la sporcizia penetrerebbe nelle fibre del filtro di carta.
- Cambiare il filtro di carta in caso di sporco ostinato.

10.6 Manutenzione della candela



AVVISO!

- Serrare bene la candela. Una candela non serrata correttamente può diventare molto calda e provocare danni al motore.
- Impiegare esclusivamente candele equivalenti.
- Se viene impiegata una candela nuova, serrarla di un 1/2 giro se poggia in modo fisso sulla rosetta di guarnizione. Se si utilizzano candele usate è sufficiente un 1/8 o 1/4 di giro.

- Per predisporre i lavori di manutenzione vedi capitolo “Predisposizione dei lavori di manutenzione” a pagina 127.
- Estrarre la spina della candela.
- Estrarre la candela con una chiave apposita.
- Verificare la candela con un controllo visivo.
Se la candela è visibilmente usurata o l'isolatore danneggiato o incrinato, sostituire la candela.
Se la candela è solo sporca, pulirla con una spazzola in acciaio.
- Misurare la distanza fra gli elettrodi con uno spessore (fig. **8**, pagina 7). La distanza deve essere 0,7 – 0,8 mm e all'occorrenza può essere corretta piegando gli elettrodi.
- Verificare che la guarnizione della candela sia intatta.
- Se questo è il caso, avvitare la candela a mano per evitare di danneggiare la filettatura.
- Serrare la candela con una chiave apposita in modo da comprimere la rondella.
- Per concludere i lavori di manutenzione vedi capitolo “Conclusione dei lavori di manutenzione” a pagina 127.

11 Eliminazione dei guasti

Disturbo	Causa	Eliminazione
Premendo l'interruttore On/Off il telecomando non si accende.	Batteria di avviamento scarica.	➤ Caricare la batteria di avviamento.
	Cavo di corrente interrotto o spina estratta. Cavo di massa del generatore interrotto o fusibile (se presente) scattato.	➤ Rivolgersi a un'officina specializzata, autorizzata.
Premendo il pulsante di avviamento, il motorino di avviamento non gira.	Batteria di avviamento scarica.	➤ Caricare la batteria di avviamento.
	L'interruttore principale si trova su "0".	➤ Posizionare l'interruttore principale su "I" o "1".
	L'albero del motorino d'avviamento è sporco.	➤ Pulire l'albero del motorino d'avviamento.
	Quantità eccessiva di olio nel motore.	➤ Scaricare l'olio.
	Inverter danneggiato.	➤ Rivolgersi a un'officina specializzata, autorizzata.
	Cavo di corrente interrotto o spina estratta. Cavo di massa del generatore interrotto o fusibile (se presente) scattato. Motorino d'avviamento non alimentato con corrente.	
Il motorino d'avviamento gira, ma il generatore non si avvia.	Manca la benzina/GPL.	➤ Rabboccare la benzina/GPL.
	La candela non riceve corrente.	➤ Controllare i collegamenti elettrici.
	Il carburatore non riceve benzina.	➤ Pulire il carburatore.
	Aspirazione dell'aria ostruita.	➤ Per controllare il filtro dell'aria (vedi capitolo "Manutenzione del filtro dell'aria (fig. 7, pagina 6)" a pagina 129).
	La temperatura ambiente è inferiore a 0 °C.	➤ Non usare gas propano puro.
	Inverter danneggiato. Cavo di corrente interrotto o spina estratta.	➤ Rivolgersi a un'officina specializzata, autorizzata.

Disturbo	Causa	Eliminazione
Il generatore tende a spegnersi.	Quantità eccessiva di olio nel motore.	➤ Scaricare l'olio.
	Carico sopra i 2,6 kW.	➤ Spegnerne l'utenza.
	Il carburatore non riceve benzina.	➤ Pulire il carburatore.
	Aspirazione dell'aria ostruita.	➤ Per controllare il filtro dell'aria (vedi capitolo "Manutenzione del filtro dell'aria (fig. 7, pagina 6)" a pagina 129).
	Inverter danneggiato.	➤ Rivolgersi a un'officina specializzata, autorizzata.
	Elettromagnete bloccato.	
	Filtro dell'aria intasato.	
Il generatore si è avviato, ma non genera tensione.	Inverter danneggiato.	➤ Rivolgersi a un'officina specializzata, autorizzata.
	Motore passo-passo guasto o cavo interrotto.	
	Elettromagnete bloccato.	
	Valvola a farfalla bloccata.	
Il generatore si avvia con una forte accelerata e poi si ferma con il messaggio "GENERATOR ALERT".	Inverter danneggiato.	➤ Rivolgersi a un'officina specializzata, autorizzata.
	Motore passo-passo guasto o cavo interrotto.	
La tensione generata è instabile.	Inverter danneggiato.	➤ Rivolgersi a un'officina specializzata, autorizzata.
	Motore passo-passo guasto o cavo interrotto.	

12 Garanzia

Vale il termine di garanzia previsto dalla legge. Qualora il prodotto risultasse difettoso, La preghiamo di contattare il Service Partner del Suo Paese (l'indirizzo si trova sul retro del manuale).

I nostri specialisti sono sempre pronti ad aiutarvi e a concordare con Voi l'ulteriore disbrigo delle condizioni garanzia.

13 Smaltimento

- Raccogliere il materiale di imballaggio possibilmente negli appositi contenitori di riciclaggio.



Quando il prodotto viene messo fuori servizio definitivamente, informarsi al centro di riciclaggio più vicino, oppure presso il proprio rivenditore specializzato, sulle prescrizioni adeguate concernenti lo smaltimento.




Proteggete l'ambiente!

Gli accumulatori e le batterie non devono essere raccolti insieme ai rifiuti domestici.

Consegnare gli accumulatori difettosi o le batterie usate al rivenditore o presso un centro di raccolta.

14 Specifiche tecniche

	Dometic TEC29	Dometic TEC29LPG
N. art.:	9102900200	9102900179
Tensione nominale in uscita:	230 V~ / 50 Hz	
Potenza continua max (a 25 °C sul livello del mare):	2600 W	
Tensione di uscita del caricatore per batterie:	12 V===	
Corrente di uscita max del caricatore per batterie:	10 A	
Intervallo di variazione della temperatura di esercizio:	da -15 °C a +50 °C	da -15 °C a +50 °C (in base alla percentuale di propano del GPL)
Fattore di distorsione armonica:	1 %	
Carburante:	Benzina normale ROZ 91	Gas liquido GPL
Consumo:	300 g/kWh max 1,2 l/h	408 g/kWh max 1,0 kg/h
Potenza motore:	4,0 kW (5,5 CV)	
Livello sonoro garantito:	86 dB(A)	
Livello sonoro a una distanza di 7 m:	54 – 59 dB(A)	
Dimensioni:	vedi fig. 9 , pagina 7	
Peso:	44 kg	
Certificati di controllo:		

Lees deze handleiding voor de ingebruikneming zorgvuldig door en bewaar hem. Geef de handleiding bij het doorgeven van het product aan de gebruiker.

Inhoudsopgave

1	Verklaring van de symbolen	136
2	Veiligheidsinstructies	137
3	Doelgroep van deze handleiding	139
4	Omvang van de levering	140
5	Toebehoren	140
6	Gebruik volgens de voorschriften	141
7	Technische beschrijving	141
8	Generator bedienen	144
9	Generator reinigen	150
10	Generator onderhouden	151
11	Storingen verhelpen	157
12	Garantie	159
13	Afvoer	159
14	Technische gegevens	160

1 Verklaring van de symbolen



WAARSCHUWING!

Veiligheidsaanwijzing: Het niet naleven kan leiden tot overlijden of ernstig letsel.



VOORZICHTIG!

Veiligheidsaanwijzing: Het niet naleven kan leiden tot letsel.

**LET OP!**

Het niet naleven ervan kan leiden tot materiële schade en de werking van het product beperken.

**INSTRUCTIE**

Aanvullende informatie voor het bedienen van het product.

► **Handeling:** dit symbool geeft aan dat u iets moet doen. De vereiste handelingen worden stap voor stap beschreven.

✓ Dit symbool beschrijft het resultaat van een handeling.

Afb. 1 5, pagina 3: deze aanduiding wijst u op een element in een afbeelding, in dit voorbeeld op „positie 5 in afbeelding 1 op pagina 3”.

2 Veiligheidsinstructies

De fabrikant kan in de volgende gevallen niet aansprakelijk worden gesteld voor schade:

- beschadiging van het product door mechanische invloeden en overspanningen
- veranderingen aan het product zonder uitdrukkelijke toestemming van de fabrikant
- gebruik voor andere dan de in de handleiding beschreven toepassingen

Hij kan in het bijzonder niet aansprakelijk gesteld worden voor alle gevolgschade, met name ook niet voor gevolgschade die kan ontstaan door het uitvallen van de generator.

Neem onderstaande fundamentele veiligheidsmaatregelen in acht bij het gebruik van elektrische toestellen ter bescherming tegen:

- elektrische schokken
- brandgevaar
- verwondingen

2.1 Essentiële veiligheid



WAARSCHUWING!

- **Elektrische toestellen zijn geen speelgoed!**

Kinderen kunnen de gevaren die van elektrische toestellen uitgaan niet goed inschatten. Laat kinderen niet zonder toezicht elektrische toestellen gebruiken.

- Personen (ook kinderen) die door hun fysieke, sensorische of geestelijke vermogens of hun onervarenheid of onwetendheid niet in staat zijn om het toestel veilig te gebruiken, mogen dit niet zonder toezicht of instructie door een verantwoordelijk persoon doen.
- Gebruik het toestel alleen volgens de voorschriften.
- Voer geen wijzigingen of verbouwingen aan het toestel uit!
- De installatie, het onderhoud en reparaties aan de generator mogen alleen door vakmensen worden uitgevoerd die bekend zijn met de gevaren bij het gebruik van generatoren alsmede de betreffende voorschriften. Door ondeskundige reparaties kunnen grote gevaren ontstaan. Neem bij reparaties contact op met de vestiging van de fabrikant in uw land (adressen aan de achterzijde).
- De afvoergassen bevatten koolmonoxide, een uiterst giftig, reukloos en kleurloos gas. Adem de afvoergassen niet in. Laat de motor van de generator niet draaien in een afgesloten garage of in een ruimte zonder vensters.



VOORZICHTIG!

- De generator mag uitsluitend met gesloten klep worden gebruikt.
- Verwijder alle brandbare materialen, zoals benzine, lak, oplosmiddelen, enz. uit de buurt van de generator.
- Let op dat er geen hete onderdelen van de generator in contact komen met licht ontvlambare materialen.
- Tank de generator alleen vol in uitgeschakelde toestand en in een goed geventileerde ruimte. Benzine en vloeibaar gas zijn licht ontvlambaar en kunnen exploderen.
- Tank de generator niet vol als de voertuigmotor aan is en de tank zich in de buurt van de generator bevindt.

- **Alleen TEC29:** als benzine gemorst wordt, veeg het dan goed weg en wacht met het inschakelen van de motor tot de dampen zijn weggetrokken.
- **Alleen TEC29LPG:** vergelijk de aangegeven druk op het typeplaatje met de druk die is aangegeven op de gasfles.
- **Alleen TEC29LPG:** bewaar de flessen met vloeibaar gas **nooit** op niet geventileerde plaatsen of onder grondniveau (trechtervormige kuilen in de grond).
- **Alleen TEC29LPG:** bescherm flessen met vloeibaar gas tegen directe zonnestrallen. De temperatuur mag niet hoger zijn dan 50 °C.
- Raak de generator en de leidingen niet met vochtige handen aan.
- Vervang de zekeringen of thermoschakelaars alleen door zekeringen en thermoschakelaars met dezelfde technische gegevens.
- Zet de generator niet in de buurt van ontstekingsbronnen (bijv. tankstations, droog terrein met gevaar voor bosbranden) in het automatische bedrijf.

**LET OP!**

- **Alleen TEC29:** tank de benzinetank niet te vol. In de hals van de tank mag zich geen benzine bevinden. Controleer of het deksel goed is gesloten.

2.2 Veiligheid bij het gebruik van het toestel

**WAARSCHUWING!**

- Onderbreek bij werkzaamheden aan het toestel altijd de stroomtoevoer.

**LET OP!**

- Gebruik het toestel alleen als de behuizing en de leidingen onbeschadigd zijn.

3 Doelgroep van deze handleiding

Deze gebruiksaanwijzing is bestemd voor de gebruiker van de generator.

4 Omvang van de levering

TEC29

Omschrijving	Artikelnummer
Generator TEC29	9102900200
AG 102, omschakelrelais voor het realiseren van een voorrangschakeling	9102900013
Montagehandleiding	
Gebruiksaanwijzing	

TEC29LPG

Omschrijving	Artikelnummer
Generator TEC29LPG	9102900179
AG 102, omschakelrelais voor het realiseren van een voorrangschakeling	9102900013
Montagehandleiding	
Gebruiksaanwijzing	

5 Toebehoren

Als toebehoren verkrijgbaar (niet bij de levering inbegrepen):

Onderdeelnaam	Artikelnummer
Alleen TEC29: AG 101, tank 15 l, kunststof	9102900009
Alleen TEC29: AG 100, tank 20 l, RVS	9102900011
Alleen TEC29: AG 150, slangenset voor AG 100 / AG 101	9102900003
AG 125, flexibele metalen slang voor verlenging van de uitlaasgasleiding, 5 m	9102900138
AG 128, afdichting voor TEC29	9102900040

6 Gebruik volgens de voorschriften

De generators TEC29 (artikelnr. 9102900200) en TEC29LPG (artikelnr. 9102900179) zijn geconstrueerd voor gebruik in caravans, campers en commercieel gebruikte voertuigen.

De generator is **niet** geschikt voor installatie in watervoertuigen.

De generator produceert een zuivere sinuswisselspanning van 230°V/50°Hz, waarop een verbruiker met een totale constante belasting van 2600 W kan worden aangesloten. De stroomkwaliteit is ook geschikt voor kwetsbare verbruikers (bijv. pc's).

De generator kan een accu van 12 V-accu opladen.

7 Technische beschrijving

De generators TEC29 en TEC29LPG bestaan uit de volgende hoofdbestanddelen (afb. **1**, pagina 3):

- Verbrandingsmotor (1)
- Draaistroomgenerator (2) met continumagneet
- Inverter (3)
- Aansluitpaneel (4)
- Afstandsbediening (5)

De verbrandingsmotor (1) brengt de vast verbonden draaistroommotor (2) in beweging, en deze genereert een wisselspanning.

De inverter (3) maakt van deze wisselspanning een stabiele spanning van 230 V en 50 Hz.

Op het aansluitpaneel (4) zijn de aansluitklemmen, de bus voor de aansluitkabel van de afstandsbediening (5) en de hoofdschakelaar aangebracht.

Overzicht van de componenten:

- TEC29: afb. **10**, pagina 8.
- TEC29LPG: afb. **11**, pagina 9

De generator biedt de volgende mogelijkheden:

- Geïntegreerde acculader voor het opladen van de aangesloten accu
- Automatisch bedrijf voor het automatisch opladen van de aangesloten accu (moet bij montage overeenkomstig geconfigureerd zijn).

Bedieningselementen van de aansluitbox

De aansluitbox bevindt zich op de generator achter de motorkap.

Pos. in afb. 2 , pagina 4	Beschrijving	
1	Hoofdschakelaar	Schakelt de generator in of uit.
2	Alleen TEC29: Veiligheidsschakelaar	Elektromechanische beveiliging tegen overbelasting.
3	Alleen TEC29LPG: hoofdzekering	Slaat door bij overbelasting van de wisselspanningszijde. Smeltzekering moet worden vervangen nadat deze doorge-slagen is.
4	Alleen TEC29LPG: zekering acculader	Slaat door bij overbelasting van de gelijkspanningszijde. Smeltzekering moet worden vervangen nadat deze doorge-slagen is.

Bedieningselementen van de afstandsbediening

De afstandsbediening is aangebracht in de binnenzijde van het voertuig.

Pos. in afb. 3 , pagina 4	Beschrijving	
1	Display	Geeft statusmeldingen weer.
2	Aan/uit-schakelaar „ \cup ”	Schakelt de afstandsbediening in en uit, als de hoofdschakelaar op „I” resp. „1” staat. Stopt de generator.
3	Startknop „START”	Start de generator, als de afstandsbediening ingeschakeld is en de hoofdschakelaar op „I” resp. „1” staat.
4	Alleen TEC29: tanklampje	Brandt als de benzine op reserve staat.
5	Olielampje	Brandt als het oliepeil in de motor te laag is.

Displayindicaties

Pos. in afb. 3 , pagina 4	Beschrijving	
6	Wisselspanning	Actuele uitgangsspanning
7	Continu vermogen	Actueel vermogen van de aangesloten verbruiker
8	Bedrijfsuren	Tijd die de generator in bedrijf is
9	Gelijkspanning	Accuspanning
10	Meldingen	Statusmelding van de generator (zie hoofdstuk „Displaymeldingen” op pagina 146)

8 Generator bedienen



LET OP!

Belast de generator in de eerste 50 bedrijfsuren (inloophase) met niet meer dan 70 % van het maximale continue vermogen.



INSTRUCTIE

Belast de generator na de inloophase met maximaal 75 % van het maximale continue vermogen.

Zo kunt u de levensduur van de generator verlengen en het vermogen ervan optimaliseren.

8.1 Essentiële instructies voor de bediening



VOORZICHTIG! Gevaar voor verwonding!

Steek geen vingers of voorwerpen in de luchtverdelers of het aanzuigrooster.

Neem de volgende fundamentele instructies in acht:

- Controleer voor ieder gebruik het oliepeil (hoofdstuk „Oliepeil controleren” op pagina 148).
- **Alleen TEC29LPG:** controleer voor ieder gebruik de dichtheid van de gastoevoer met lekzoeker.
- Ook geringe overbelastingen leiden op den duur tot activering van de lek-schakelaar (**TEC29**) of de zekeringen (**TEC29LPG**).
- Laat de generator na het gebruik enkele minuten zonder verbruiker in bedrijf voordat u hem uitschakelt.
- Krachtig afremmen, optrekken en bochtenwerk van het voertuig kunnen problemen in het pompsysteem van de generator veroorzaken en een ongewenst uitschakelen tot gevolg hebben.
- Als de generator langere tijd niet wordt gebruikt, dient u hem minstens om de 30 dagen te starten en minimaal 15 minuten te laten lopen.

8.2 Generator in- of uitschakelen

Met de hoofdschakelaar (afb. **2** 1, pagina 4) van de aansluitbox wordt de generator in- of uitgeschakeld.

8.3 Afstandsbediening in- en uitschakelen

Met de aan/uit-schakelaar (afb. **3** 2, pagina 4) op de afstandsbediening wordt de afstandsbediening in- en uitgeschakeld.

► Schakel de afstandsbediening met de aan/uit-schakelaar in.

✓ In het display verschijnt: *GEN OFF*.

Als binnen 5 min de startknop niet is ingedrukt, schakelt het display automatisch uit.

Door op de startknop te drukken, kunt u het display weer inschakelen.

✓ De generator kan nu worden gestart.

8.4 Generator starten

De generator kan alleen worden gestart als hij gebruiksklaar is geschakeld en als de afstandsbediening is ingeschakeld.



INSTRUCTIE

Als de generator nog warm is, drukt u kort op de startknop om de generator in te schakelen, als de generator koud is, drukt u langer op de startknop.

► Start de generator met de startknop (afb. **3** 3, pagina 4).

8.5 Generator stoppen

► Stop de generator met de aan/uit-schakelaar (afb. **3** 2, pagina 4).

Als de generator niet stopt: schakel hem uit met de hoofdschakelaar (afb. **2** 1, pagina 4).

8.6 Displaymeldingen

Displaymelding Beschrijving	Gedrag van de generator	Maatregelen
<i>LOW BATTERY</i> De accuspanning is onder de minimale waarde voor het uitvoeren van startpogingen gedaald (9 V).	De generator springt niet aan.	Accu opladen.
<i>OIL CHANGE</i> De teller van de bedrijfsuren heeft de ingestelde waarde voor het ververset van de olie bereikt.	De generator blijft lopen.	Olie ververset (zie hoofdstuk „Olie ververset (afb. 6, pagina 6)” op pagina 153), daarna de generator opnieuw starten door de startknop ingedrukt te houden.
<i>NO FUEL</i> De benzine in de tank staat op reserve.	De generator blijft lopen.	Tanken.
<i>OIL ALERT</i> Motorolie ontbreekt.	De generator stopt.	Olie bijvullen (zie hoofdstuk „Oliepeil controleren” op pagina 148).
<i>GENERATOR ALERT!</i> Algemeen alarm Voorbeeld: de controlering van de smookklep van de carburateur (stappenmotor) is defect.	De generator stopt.	Het systeem controleren met behulp van de tabel „Storingen, oorzaken en oplossingen”. Als het probleem blijft bestaan, neemt u contact op met de vestiging van de fabrikant in uw land (adressen aan de achterzijde).
<i>OVERLOAD!</i> De verbruikers veroorzaken overbelasting aan de uitgang.	De inverter schakelt uit. Daardoor wordt er geen spanning meer afgegeven, maar de motor blijft draaien tot hij uitgaat.	De aangesloten last verminderen en de generator opnieuw starten.
<i>SHORT CIRCUIT</i> De verbruikers veroorzaken kortsluiting aan de uitgang.	De inverter schakelt uit. Daardoor wordt er geen spanning meer afgegeven, maar de motor blijft draaien tot hij uitgaat.	De toestand van de aangesloten verbruikers controleren, daarna de generator opnieuw starten.

Displaymelding Beschrijving	Gedrag van de generator	Maatregelen
<i>OVER TEMPERATURE</i> Oververhitting	De inverter schakelt uit. Daardoor wordt er geen spanning meer afgegeven, maar de motor blijft draaien om de generator te koelen.	De generator laten afkoelen, een paar minuten wachten, daarna de generator opnieuw starten.
<i>LOW POWER ENGINE</i> Voedingsspanning van de inverter valt weg.	De generator stopt.	De aangesloten last verminderen en de generator opnieuw starten.
<i>RESTART GEN?</i> Melding die verschijnt nadat de generator wegens oververhitting is gestopt.	De generator is uitgeschakeld.	De startknop indrukken om de generator opnieuw te starten.
<i>GEN CAL</i> Melding die verschijnt zodra de generator start. De melding geeft de kalibreerfase aan die aan iedere start voorafgaat. De generator geeft nog geen spanning af.	De generator draait, maar wekt geen spanning op.	Een ogenblik wachten.
<i>GEN WAIT</i> Melding die in de pauze tussen twee startpogingen verschijnt.	De generator is uitgeschakeld.	Wachten tot de melding verdwijnt, daarna opnieuw proberen de generator te starten.
<i>GEN ON</i> Normaal bedrijf van de generator.	Normaal bedrijf	–
<i>GEN OFF</i>	De generator bevindt zich in stand-by en kan worden gestart.	–
<i>AUTO?</i> Melding die verschijnt bij het inschakelen van het automatische bedrijf.	Besturing wacht op gebruiker	Binnen 20 seconden de startknop indrukken en 3 seconden ingedrukt houden.
<i>AUTO</i> Automatisch bedrijf	Automatisch bedrijf is ingeschakeld.	–

8.7 Oliepeil controleren



VOORZICHTIG!

Hete olie kan brandwonden veroorzaken.
Controleer het oliepeil alleen als de generator uitgeschakeld is.



INSTRUCTIE

De generator moet horizontaal staan.

Controleer voor ieder gebruik het oliepeil. Ga hiervoor als volgt te werk:

- Open de klep van de generator.
- Schakel de generator uit met de hoofdschakelaar (afb. **4** 1, pagina 5).
- Maak de verbinding met de pluspool van de accu los.
- Trek de peilstok (afb. **4** 2, pagina 5) uit de vulopening (afb. **4** 3, pagina 5).
- Reinig de peilstok (afb. **4** 2, pagina 5) met een doek.
- Steek de peilstok (afb. **4** 2, pagina 5) in de vulopening (afb. **4** 3, pagina 5).
- Trek de peilstok (afb. **4** 2, pagina 5) uit de vulopening.
- Controleer of het oliepeil tussen de inkeping (maximaal vulpeil) en de top van de peilstok ligt (afb. **4** 4, pagina 5).
Is dit niet het geval, vul de olie dan bij.
- Steek de peilstok (afb. **4** 2, pagina 5) in de vulopening (afb. **4** 3, pagina 5).
- Verbind de generator met de pluspool van de accu.
- Schakel de generator in met de hoofdschakelaar (afb. **4** 1, pagina 5).
- Sluit de klep van de generator.

8.8 Automatisch bedrijf inschakelen

U kunt automatisch bedrijf alleen inschakelen:

- als hij bij de montage van de generator geconfigureerd is
- als het voertuig stilstaat en het contact is uitgeschakeld
- als de schakelaar voor automatisch bedrijf (indien aanwezig) is ingeschakeld

In automatisch bedrijf springt de generator automatisch aan als de spanning van de aangesloten accu te laag is, en laadt de accu.

De generator schakelt automatisch uit als de accu volledig geladen is.

Zo schakelt u het automatisch bedrijf in:

- Schakel de schakelaar voor automatisch bedrijf (indien aanwezig) in.
 - Schakel het contact uit.
 - Schakel de afstandsbediening in door de aan/uit-schakelaar in te drukken.
- ✓ Op het display verschijnt: *AUTO?*



INSTRUCTIE

Als op het display *GEN OFF* in plaats van *AUTO?* verschijnt, is bij uw generator geen automatisch bedrijf geconfigureerd. Neem in dat geval contact op met de gespecialiseerde werkplaats die de montage heeft uitgevoerd en laat het automatisch bedrijf configureren.

- Druk binnen 20 sec. de startknop en houd deze 3 seconden ingedrukt.
- ✓ Op het display verschijnt: *AUTO*.
- Het automatisch bedrijf is ingeschakeld.



INSTRUCTIE

In het automatisch bedrijf kunt u de generator niet via de startknop starten. De generator springt automatisch aan. U kunt de generator met de schakelaar voor automatisch bedrijf (indien aanwezig) in- en uitschakelen.

8.9 Automatisch bedrijf uitschakelen

- Schakel de schakelaar voor automatisch bedrijf (indien aanwezig) uit.
of...
- Schakel het contact in.
- ✓ Op het display verschijnt: *GEN OFF*.

9 Generator reinigen



LET OP! Gevaar voor beschadiging!

- Reinig de generator niet met een hogedrukreiniger. Binnendringend water kan de generator beschadigen.
 - Gebruik geen scherpe of harde voorwerpen of reinigingsmiddelen bij de reiniging, omdat de generator hierdoor beschadigd kan raken.
 - Gebruik voor de reiniging van de generator alleen water met een mild reinigingsmiddel. Gebruik in geen geval benzine, diesel of oplosmiddelen.
-
- Reinig de behuizing van de generator af en toe met een vochtige doek.
 - Verwijder regelmatig verontreinigingen uit de ventilatieopeningen van de generator. Let op dat u hierbij de lamellen van de generator niet beschadigt.

10 Generator onderhouden

10.1 Onderhoudstabel



WAARSCHUWING!

Laat alle onderhoudswerkzaamheden uitsluitend door vakmensen uitvoeren die bekend zijn met de betreffende voorschriften. Door ondeskundige onderhoudswerkzaamheden kunnen grote gevaren ontstaan.



INSTRUCTIE

Laat de volgende onderhoudswerkzaamheden in de aangegeven afstanden of na het aangegeven aantal bedrijfsuren uitvoeren, afhankelijk van wat eerder het geval is.

Interval	Controle/onderhoud
In de eerste maand of na 20 uur	<ul style="list-style-type: none"> ➤ Laat de olie verversen. ➤ Laat de luchtfilter onderhouden (hoofdstuk „Luchtfilter onderhouden (afb. 7, pagina 6)” op pagina 154).
Om de 3 maanden of na 50 uur	<ul style="list-style-type: none"> ➤ Laat de luchtfilter onderhouden (hoofdstuk „Luchtfilter onderhouden (afb. 7, pagina 6)” op pagina 154).
Om de 6 maanden of na 100 uur	<ul style="list-style-type: none"> ➤ Laat de olie verversen. ➤ Laat de bougie onderhouden (hoofdstuk „Bougie onderhouden” op pagina 156).
Jaarlijks of om de 300 uur	<ul style="list-style-type: none"> ➤ Laat de ventielen onderhouden. ➤ Alleen TEC29: laat de benzinetank en de brandstoffilter onderhouden. ➤ Laat de vibratiedemper onderhouden.
Om de 2 jaar	<ul style="list-style-type: none"> ➤ Alleen TEC29: laat de benzineleidingen onderhouden. ➤ Alleen TEC29LPG: laat de gasleidingen onderhouden.

10.2 Onderhoudswerkzaamheden voorbereiden



VOORZICHTIG!

Let bij alle werkzaamheden op:

- De generator mag niet in bedrijf zijn.
- Alle onderdelen moeten afgekoeld zijn.

- Schakel de generator uit met de hoofdschakelaar (afb. **4** 1, pagina 5).
- Maak de verbinding met de pluspool van de accu los.
- Open de klep van de generator.

Voor onderhoudswerkzaamheden kunt u de generator naar buiten trekken (afb. **5**, pagina 5):



WAARSCHUWING!

De draagplaat met generator is erg zwaar (> 40 kg) en kan uit de behuizing vallen als u hem te ver naar buiten trekt.

- Draai de bevestigingsschroeven (1) los.
- Trek de draagplaat (2) met de generator uit de behuizing (3).

10.3 Onderhoudswerkzaamheden afsluiten

- Verbind de generator met de pluspool van de accu.
- Schakel de generator in met de hoofdschakelaar (afb. **4** 1, pagina 5).
- Sluit de klep van de generator.

10.4 Olie verversen (afb. 6, pagina 6)

**VOORZICHTIG!**

Hete olie kan brandwonden veroorzaken.

**LET OP!**

Geef de afgewerkte olie aan een speciaal bedrijf voor de afvoer of terugwinning, en neem de wetten met betrekking tot de bescherming van het milieu in het betreffende land in acht.

U kunt de volgende olie gebruiken:

- Olie voor viertaktmotoren van de klasse API SG of SF.
- Olie van de klasse SAE 10W-30 (gebruik bij alle temperaturen mogelijk).
- Olie met vaste viscositeit.
Kies de geschikte viscositeit afhankelijk van de gemiddelde plaatselijke temperatuur.

Zo ververs u de olie:

- Laat de generator drie tot vijf minuten warmdraaien, zodat de olie vloeibaarder wordt en snel en volledig wegstroomt.
- Zet een geschikte bak onder de olieaftapschroef (1).
- Verwijder de olieaftapschroef (1).
- ✓ De olie stroomt weg.
- Giet verse olie in de vulopening.
De oliehoeveelheid bedraagt: 0,6 l.

10.5 LuchtfILTER onderhouden (afb. 7, pagina 6)



WAARSCHUWING! Explosiegevaar!

Gebruik geen dieselolie of oplosmiddel met laag verdampingspunt voor de reiniging van de luchtfILTER. Deze kunnen ontsteken of exploderen.



LET OP!

Laat de motor nooit zonder luchtfILTER draaien. Anders slijt de motor snel.



INSTRUCTIE

Als de luchtfILTER verontreinigd is, wordt de luchtstroom naar de carburateur verkleind. Opdat de carburateur goed functioneert, dient u de toestand van de filter regelmatig te controleren. Controleer de filter vaker als de generator in een zeer stoffige omgeving wordt gebruikt.

- Bereid de onderhoudswerkzaamheden voor en trek de generator een stuk uit de behuizing: zie hoofdstuk „Onderhoudswerkzaamheden voor-bereiden” op pagina 152.
- Verwijder de vleugelmoer (1) en de filterafdekking (2).
- Verwijder de vleugelmoer (3).
- Verwijder de luchtfILTER (4).
De luchtfILTER bestaat uit twee elementen: een sponsfilter en een papierfilter.
- Controleer de toestand van beide filterelementen zorgvuldig. Vervang de beschadigde filterelementen.
- Reinig de onbeschadigde filterelementen: zie de volgende paragrafen.
- Sluit de onderhoudswerkzaamheden af: zie hoofdstuk „Onderhoudswerkzaamheden afsluiten” op pagina 152.

Sponsfilter reinigen

- Was de spons met een neutrale wasmiddeloplossing en spoel hem zorgvuldig uit.
- Laat de spons volledig drogen.
- Drenk de spons in zuivere motorolie.
- Wring de overtollige olie eruit.

Papierfilter reinigen

- Verwijder verontreinigingen door het papier herhaaldelijk licht op een hard oppervlak te slaan of blaas de filter van binnen naar buiten uit met perslucht.
Borstel het papier **niet** af, daardoor kan het vuil in de vezels van de papierfilter dringen.
- Vervang de papierfilter bij sterke verontreiniging.

10.6 Bougie onderhouden



LET OP!

- Draai de bougie stevig aan. Een niet goed aangedraaide bougie kan zeer heet worden en schade aan de motor veroorzaken.
- Gebruik uitsluitend gelijkwaardige bougies.
- Als u een nieuwe bougie plaatst, draait u deze een halve omwenteling aan als hij op de onderlegschiif rust. Bij het gebruik van gebruikte bougies is een achtste of een vierde omwenteling voldoende.

- Bereid de onderhoudswerkzaamheden voor: zie hoofdstuk „Onderhoudswerkzaamheden voorbereiden” op pagina 152.
- Verwijder de bougiestekker.
- Verwijder de bougie met een bougiesleutel.
- Controleer de bougie visueel.
Als de bougie duidelijk versleten is of de isolator beschadigd is, dient u de bougie te vervangen.
Als de bougie slechts verontreinigd is, reinigt u deze met een staalborstel.
- Meet de afstand tussen de elektroden met een diktemeter (afb. **8**, pagina 7). Deze afstand moet 0,7 – 0,8 mm bedragen en kan eventueel worden gecorrigeerd door de elektrode te buigen.
- Controleer of de bougieafdichting intact is.
- Is dit het geval, dan schroeft u de bougie handmatig aan om een beschadiging van de schroefdraad te voorkomen.
- Draai de bougie met een bougiesleutel zo aan dat de onderlegschiif samengedrukt wordt.
- Sluit de onderhoudswerkzaamheden af: zie hoofdstuk „Onderhoudswerkzaamheden afsluiten” op pagina 152.

11 Storingen verhelpen

Storing	Oorzaak	Oplossing
Door indrukken van de aan/uitschakelaar gaat de afstandsbediening niet aan.	Accu leeg.	➤ Laad de accu.
	Stroomkabel onderbroken of stekker uitgetrokken.	➤ Neem contact op met een geautoriseerde werkplaats.
	Massakabel van de generator onderbroken of zekering (indien aanwezig) doorgeslagen.	
Bij het indrukken van de startknop draait de starter niet.	Accu leeg.	➤ Laad de accu.
	De hoofdschakelaar staat op „0”.	➤ Zet de hoofdschakelaar op „1” resp. „1”.
	As van de starter verontreinigd.	➤ Reinig de as van de starter.
	Te veel olie in de motor.	➤ Tap olie af.
	Inverter beschadigd.	➤ Neem contact op met een geautoriseerde werkplaats.
	Stroomkabel onderbroken of stekker uitgetrokken.	
	Massakabel van de generator onderbroken of zekering (indien aanwezig) doorgeslagen.	
Starter krijgt geen stroom.		
De starter draait, maar de generator springt niet aan.	Geen benzine/LPG.	➤ Vul benzine/LPG bij.
	Bougie krijgt geen stroom.	➤ Controleer de elektrische verbindingen.
	Carburateur krijgt geen benzine.	➤ Reinig de carburateur.
	Luchtaanzuiging verstopt.	➤ Controleer de luchtfilter (zie hoofdstuk „Luchtfilter onderhouden (afb. 7, pagina 6)” op pagina 154).
	De omgevingstemperatuur ligt onder 0 °C.	➤ Gebruik zuiver propaangas.
	Inverter beschadigd.	➤ Neem contact op met een geautoriseerde werkplaats.
	Stroomkabel onderbroken of stekker uitgetrokken.	

Storing	Oorzaak	Oplossing
De generator valt bijna uit.	Te veel olie in de motor.	➤ Tap olie af.
	Last boven 2,6 kW.	➤ Schakel verbruikers uit.
	Carburateur krijgt geen benzine.	➤ Reinig de carburateur.
	Luchtaanzuiging verstopt.	➤ Controleer de luchtfilter (zie hoofdstuk „Luchtfilter onderhouden (afb. 7, pagina 6)” op pagina 154).
	Inverter beschadigd.	➤ Neem contact op met een geautoriseerde werkplaats.
	Elektromagneet blokkeert.	
	Luchtfilter verontreinigd.	
De generator is aangesprongen, maar wekt geen spanning op.	Inverter beschadigd.	➤ Neem contact op met een geautoriseerde werkplaats.
	Stappenmotor defect of kabel onderbroken.	
	Elektromagneet blokkeert.	
	Smoorklep blokkeert.	
De generator start met sterke versnelling en blijft dan met de melding „GENERATOR ALERT” stilstaan.	Inverter beschadigd.	➤ Neem contact op met een geautoriseerde werkplaats.
	Stappenmotor defect of kabel onderbroken.	
De opgewekte spanning is instabiel.	Inverter beschadigd.	➤ Neem contact op met een geautoriseerde werkplaats.
	Stappenmotor defect of kabel onderbroken.	

12 Garantie

De wettelijke garantieperiode is van toepassing. Indien het product defect is, dient u contact op te nemen met een servicepartner in uw land (zie achterzijde van de gebruiksaanwijzing voor adressen).

Onze specialisten helpen u graag verder en bespreken het verdere verloop van de garantie met u.

13 Afvoer

► Laat het verpakkingsmateriaal indien mogelijk recycleren.




Als u het product definitief buiten bedrijf stelt, informeer dan bij het dichtstbijzijnde recyclingcentrum of uw speciaalzaak naar de betreffende afvoervoorschriften.



Bescherm uw milieu!

Accu's en batterijen horen niet thuis in het huishoudelijke afval. Geef uw defecte of verbruikte of defecte accu's bij de leverancier of bij een verzamelpunt af.

14 Technische gegevens

	Dometic TEC29	Dometic TEC29LPG
Artikelnr.:	9102900200	9102900179
Nominale uitgangsspanning:	230 V~ / 50 Hz	
Max. continuvermogen (bij 25 °C op zeeniveau):	2600 W	
Uitgangsspanning acculader:	12 V===	
Max. uitgangsstroom acculader:	10 A	
Bedrijfstemperatuur:	-15 °C tot +50 °C	-15 °C tot +50 °C (afhankelijk van het propaangehalte van het LPG)
Vervorming:	1 %	
Brandstof:	Normale benzine ROZ 91	Vloeibaar gas LPG
Verbruik:	300 g/kWh max. 1,2 l/h	408 g/kWh max. 1,0 kg/h
Motorvermogen:	4,0 kW (5,5 PS)	
Gegarandeerd geluidsniveau:	86 dB(A)	
Geluidniveau op 7 m afstand:	54 – 59 dB(A)	
Afmetingen:	zie afb. 9 , pagina 7	
Gewicht:	44 kg	
Keurmerk/certificaat:		

Læs denne vejledning omhyggeligt igennem før ibrugtagning, og gem den. Giv den til brugeren, hvis du giver produktet videre.

Indholdsfortegnelse

1	Forklaring af symbolerne	161
2	Sikkerhedshenvisninger	162
3	Målgruppe for denne vejledning	164
4	Leveringsomfang	165
5	Tilbehør	165
6	Korrekt brug	166
7	Teknisk beskrivelse	166
8	Betjening af generatoren	168
9	Rengøring af generatoren	174
10	Vedligeholdelse af generatoren	175
11	Udbedring af fejl	180
12	Garanti	182
13	Bortskaffelse	182
14	Tekniske data	183

1 Forklaring af symbolerne



ADVARSEL!

Sikkerhedshenvisning: Manglende overholdelse kan medføre død eller alvorlig kvæstelse.



FORSIGTIG!

Sikkerhedshenvisning: Manglende overholdelse kan medføre kvæstelser.

**VIGTIGT!**

Manglende overholdelse kan medføre materielle skader og begrænse produktets funktion.

**BEMÆRK**

Supplerende informationer om betjening af produktet.

► **Handling:** Dette symbol viser dig, at du skal gøre noget. De påkrævede handlinger beskrives trin for trin.

✓ Dette symbol beskriver resultatet af en handling.

Fig. 1 5, side 3: Denne information henviser til et element på en figur, i dette eksempel til „Position 5 på figur 1 på side 3“.

2 Sikkerhedshenvisninger

Producenten påtager sig intet ansvar for skader i følgende tilfælde:

- Beskadigelser på produktet på grund af mekanisk påvirkning og overspænding
- Ændringer på produktet uden udtrykkelig tilladelse fra producenten
- Anvendelse til andre formål end dem, der er beskrevet i vejledningen

Producenten hæfter især ikke for følgeskader, heller ikke for følgeskader, der kan opstå, hvis driften af generatoren svigter.

Overhold følgende grundlæggende sikkerhedsforanstaltninger ved brug af elektriske apparater for at beskytte mod:

- Elektrisk stød
- Brandfare
- Kvæstelser

2.1 Grundlæggende sikkerhed



ADVARSEL!

- **EI-apparater er ikke legetøj!**

Børn er ikke i stand til at vurdere farer, der udgår fra elektriske apparater. Lad ikke børn benytte elektriske apparater uden opsyn.

- Personer (inkl. børn), der på grund af deres fysiske, sanse- eller mentale evner eller deres uerfarenhed eller uvidenhed ikke er i stand til at anvende apparatet sikkert, bør kun anvende dette apparat under en ansvarlig persons opsyn eller anvisning.
- Anvend kun apparatet til det formål, som det er bestemt til.
- Foretag ikke ændringer af apparatet eller ombygninger på det!
- Installation og vedligeholdelse af og reparationer på generatoren må kun foretages af fagfolk, der kender farerne ved omgang med generatoren og de pågældende forskrifter. Ved ukorrekte reparationer kan der opstå betydelige farer. Ved reparationer skal du henvende dig til producentens afdeling i dit land (adresser på bagsiden).
- Udstødningsgasserne indeholder kulmonoxid, en yderst giftig, lugtløs og farveløs gas. Indånd ikke udstødningsgasserne. Lad ikke generatorens motor køre i en lukket garage eller i et rum uden vinduer.



FORSIGTIG!

- Generatoren må udelukkende anvendes med lukket klap.
- Fjern alle letantændelige materialer som f.eks. benzin, lak, opløsningsmidler osv. i nærheden af generatoren.
- Kontrollér, at generatorens dele, der bliver varme, ikke kommer i berøring med letantændelige materialer.
- Optank kun generatoren, når den er frakoblet og er i et godt ventileret område. Benzin og F-gas er meget antændelige og kan eksplodere.
- Optank ikke generatoren, når køretøjets motor kører, hvis tanken befinder sig i nærheden af generatoren.
- **Kun TEC29:** Hvis der spildes benzin, skal du tørre det grundigt op og afvente, at dampene er forsvundet, indtil du tilkoblet motoren.
- **Kun TEC29LPG:** Sammenlign trykangivelsen på typeskiltet med trykangivelsen på F-gasflasken.

- **Kun TEC29LPG:** Opbevar **aldrig** F-gasflasker på steder, der ikke er ventilerede, eller under gulvniveau (tragtformede fordybninger i jorden).
- **Kun TEC29LPG:** Beskyt F-gasflasker mod direkte sol. Temperaturen må ikke overskride 50 °C.
- Berør ikke generatoren og ledningerne med fugtige hænder.
- Udskift kun sikringerne og termoafbryderen med sikringer og afbrydere med de samme tekniske data.
- Skift ikke generatoren til den automatiske drift i nærheden af antændingskilder (f.eks. benzintanke, i tørt terræn med fare for skovbrande).

**VIGTIGT!**

- **Kun TEC29:** Fyld ikke benzintanken helt op. Der må ikke findes benzin i tankens hals. Kontrollér, om dækslet er lukket rigtigt.

2.2 Sikkerhed under anvendelse af apparatet

**ADVARSEL!**

- Afbryd altid strømforsyningen ved arbejder på apparatet.

**VIGTIGT!**

- Anvend kun apparatet, hvis kabinettet og ledningerne er ubeskadigede.

3 Målgruppe for denne vejledning

Denne betjeningsvejledning henvender sig til generatorens bruger.

4 Leveringsomfang

TEC29

Betegnelse	Artikelnummer
Generator TEC29	9102900200
AG 102, omkoblingsrelæ til realisering af en prioritetskobling	9102900013
Installationsvejledning	
Betjeningsvejledning	

TEC29LPG

Betegnelse	Artikelnummer
Generator TEC29LPG	9102900179
AG 102, omkoblingsrelæ til realisering af en prioritetskobling	9102900013
Installationsvejledning	
Betjeningsvejledning	

5 Tilbehør

Kan fås som tilbehør (ikke indeholdt i leveringsomfanget):

Delenes betegnelse	Artikelnummer
Kun TEC29: AG 101, tank 15 l, kunststof	9102900009
Kun TEC29: AG 100, tank 20 l, rustfrit stål	9102900011
Kun TEC29: AG 150, slangesæt til AG 100 / AG 101	9102900003
AG 125, fleksibel metalslange til forlængelse af udstødningsledningen, 5 m	9102900138
AG 128, tætning til TEC29	9102900040

6 Korrekt brug

Generatorene TEC29 (art.nr. 9102900200) og TEC29LPG (art.nr. 9102900179) er beregnet til anvendelse campingvogne, autocampere og erhvervskøretøjer.

Generatoren er **ikke** egnet til installation i både.

Generatoren skaber en ren sinus-vekselspænding på 230 V/50 Hz, som forbrugere med en samlet konstant belastning på 2600 W kan tilsluttes til. Strømkvaliteten er også egnet til følsomme forbrugere (f.eks. pc'er).

Generatoren kan oplade et 12 V-batteri.

7 Teknisk beskrivelse

Generatorene TEC29 og TEC29LPG består af følgende hovedelementer (fig. **1**, side 3):

- Forbrændingsmotor (**1**)
- Trefaset generator (**2**) med permanente magneter
- Inverter (**3**)
- Tilslutningspanel (**4**)
- Fjernbetjening (**5**)

Forbrændingsmotoren (**1**) drejer den trefasede generator (**2**), der er fast forbundet med den, og den skaber en vekselspænding.

Inverteren (**3**) former denne vekselspænding til en stabil spænding på 230 V og 50 Hz.

På tilslutningspanelet (**4**) er tilslutningsklemmerne, bøsningen til tilslutningskablet på fjernbetjeningen (**5**) og hovedafbryderen placeret.

Oversigt over alle komponenter:

- TEC29: fig. **10**, side 8.
- TEC29LPG: fig. **11**, side 9

Generatoren giver følgende muligheder:

- Integreret batterilader til opladning af det tilsluttede batteri
- Automatisk drift til den automatiske opladning af de tilsluttede batteri (skal være konfigureret i overensstemmelse hermed ved monteringen).

Betjeningselementer på tilslutningsboksen

Tilslutningsboksen befinder sig på generatoren bagved afskærmningen.

Pos. på fig. 2 , side 4	Beskrivelse	
1	Hovedafbryder	Tænder generatoren, så den er driftsklar, eller frakobler dens funktion.
2	Kun TEC29: Sikkerhedsafbryder	Elektromekaniske beskyttelse mod overbelastning.
3	Kun TEC29LPG: Hovedsikring	Udløser ved overbelastning af vekselspændingssiden. Smeltesikring skal udskiftes, når den har udløst.
4	Kun TEC29LPG: Sikring batterilader	Udløser ved overbelastning af jævnspændingssiden. Smeltesikring skal udskiftes, når den har udløst.

Betjeningselementer på fjernbetjeningen

Fjernbetjeningen er placeret inde i køretøjet.

Pos. på fig. 3 , side 4	Beskrivelse	
1	Display	Viser statusmeldinger
2	Tænd/sluk-kontakt „ ϕ “	Tænder og slukker fjernbetjeningen, når hovedafbryderen står på „I“ eller „1“. Standser generatoren.
3	Starttast „START“	Starter generatoren, når fjernbetjeningen er tilkoblet, og hovedafbryderen står på „I“ eller „1“.
4	Kun TEC29: Benzinvisning	Lyser, hvis benzinen står på reserve.
5	Olievisning	Lyser, hvis oliestanden i motoren er for lav.

Displayvisninger

Pos. på fig. 3, side 4	Beskrivelse	
6	Vekselspænding	Aktuel udgangsspænding
7	Konstant effekt	De tilsluttede forbrugeres aktuelle effekt
8	Driftstimer	Tid, som generatoren er i drift
9	Jævnspænding	Batterispænding
10	Meldinger	Generatorens statusmelding (se kapitlet „Displaymeldinger“ på side 170)

8 Betjening af generatoren



VIGTIGT!

Belast i de første 50 driftstimer (indkøringsfase) ikke generatoren over 70 % af den maks. konstante effekt.



BEMÆRK

Belast efter indkøringsfasen maks. generatoren med en belastning på ca. 75 % af den maks. konstante effekt. På den måde kan du forlænge generatorens levetid og maksimere dens effekt.

8.1 Grundlæggende henvisninger til betjeningen



FORSIGTIG! Fare for kvæstelser!

Stik ikke fingre eller genstande ind i luftdyserne eller indsugningsgitteret.

Overhold følgende grundlæggende henvisninger:

- Kontrollér oliestanden før hver anvendelse (kapitlet „Kontrol af oliestanden“ på side 172).
- **Kun TEC29LPG:** Kontrollér med læksøgnings-spray, at gastilførslen er tæt, før hver anvendelse.
- Også små overbelastninger fører på længere sig til aktivering af beskyttelsesafbryderen (**TEC29**) eller af sikringerne (**TEC29LPG**).

- Lad generatoren være i drift i et par minutter uden forbrugere efter brug, før du standser den.
- Kraftig opbremsning, acceleration og kørsel i kurver med køretøjet kan forårsage problemer i generatorens pumpesystem og medføre, at den frakobles utilsigtet.
- Hvis du ikke anvender generatoren i længere tid, skal du starte den mindst for hver 30 dage og lade den køre i mindst 15 minutter.

8.2 Tilkobling af generator til driftsklar tilstand eller frakobling af dens funktion

Med hovedafbryderen (fig. **2** 1, side 4) på tilslutningsboksen tilkobles generatoren, så den er driftsklar, eller frakobles dens funktion.

8.3 Til- og frakobling af fjernbetjeningen

Med tænd/sluk-kontakten (fig. **3** 2, side 4) på fjernbetjeningen til- og frakobles fjernbetjeningen.

- Tænd fjernbetjeningen med tænd/sluk-knappen.
- ✓ Displayet viser: *GEN OFF*.
Displayet slukkes automatisk efter 5 min, hvis der i dette tidsrum ikke trykkes på startknappen.
Ved at trykke på starttasten kan du tænde displayet igen.
- ✓ Generatoren kan nu startes.

8.4 Start af generatoren

Generatoren kan kun startes, når den er indstillet på driftsklar tilstand, og når fjernbetjeningen tændt.



BEMÆRK

Hvis generatoren stadig er varm, skal du trykke kort på starttasten for at starte, længere, når generatoren er kold.

- Start generatoren med starttasten (fig. **3** 3, side 4).

8.5 Standsning af generatoren

- Stands generatoren med tænd/sluk-tasten (fig. **3** 2, side 4).

Hvis generatoren ikke standser: Sluk den med hovedafbryderen (fig. **2** 1, side 4).

8.6 Displaymeldinger

Displaymelding Beskrivelse	Generatorens reaktion	Foranstaltninger
<i>LOW BATTERY</i> Batterispændingen er faldet under minimumværdien for udførelsen af startforsøg (9 V).	Generatoren starter ikke.	Oplad batteriet.
<i>OIL CHANGE</i> Tællingen af driftstimerne har nået den indstillede værdi for motorolieskiftet.	Generatoren fortsætter med at køre.	Foretag olieskiftet (se kapitlet „Olieskift (fig. 6 , side 6)“ på side 177), start derefter generatoren igen ved at trykke uafbrudt på starttasten.
<i>NO FUEL</i> Benzinen i tanken står på reserve.	Generatoren fortsætter med at køre.	Optank.
<i>OIL ALERT</i> Der mangler motorolie.	Generatoren standser.	Påfyld olie (se kapitlet „Kontrol af oliestanden“ på side 172).
<i>GENERATOR ALERT!</i> Generel alarmmelding Eksempel: Kontrolringen på karburatorens drosselklap-ventil (stepmotor) er defekt.	Generatoren standser.	Kontroller systemet ved hjælp af tabellen Fejl, årsager og udbedringer. Hvis problemet fortsat findes, skal du henvende dig til producentens afdeling i dit land (adresser på bagsiden).
<i>OVERLOAD!</i> Forbrugeren skaber en overbelastning på udgangen.	Inverteren frakobler, derfor afgives der ikke længere spænding, men motoren fortsætter med at køre, indtil den standser.	Reducér den tilsluttede belastning, og start generatoren igen.

Displaymelding Beskrivelse	Generatorens reaktion	Foranstaltninger
SHORT CIRCUIT Forbrugeren skaber en kortslutning på udgangen.	Inverteren frakobler, derfor afgives der ikke længere spænding, men motoren fortsætter med at køre, indtil den standser.	Kontrollér de tilsluttede forbrugeres tilstand, start derefter generatoren igen.
OVER TEMPERATURE Overophedning	Inverteren frakobler, derfor afgives der ikke længere spænding, men motoren fortsætter med at køre for at køle generatoren.	Lad generatoren køle af, vent et par minutter, start derfor generatoren igen.
LOW POWER ENGINE Fald i inverteres forsynings-spænding	Generatoren standser.	Reducér den tilsluttede belastning, og start generatoren igen.
RESTART GENP Melding, der vises efter en standsning af generatoren på grund af overophedning.	Generatoren er frakoblet.	Tryk på starttasten for at starte generatoren igen.
GEN CAL Melding, der vises, når generatoren startes. Den viser kalibreringsfasen, der går forud for hver start. Generatoren afgiver endnu ingen spænding.	Generatoren kører, men skaber ingen spænding.	Vent et øjeblik.
GEN WAIT Melding, der vises i pausen mellem to startforsøg.	Generatoren er frakoblet.	Vent, indtil meldingen forsvinder, prøv derefter at tænde igen.
GEN ON Normal drift af generatoren.	Normal drift	–
GEN OFF	Generatoren er på standby og kan startes.	–
AUTOP Melding, der vises, når den automatiske drift tilkobles	Styring venter på brugerindtastning	Tryk i løbet af 20 sekunder på starttasten, og hold den trykket ned i 3 sekunder.
AUTO Automatisk drift	Automatisk drift er tilkoblet	–

8.7 Kontrol af oliestanden



FORSIGTIG!

Varm olie kan forårsage forbrændinger.
Kontrollér kun oliestanden, når generatoren er frakoblet.



BEMÆRK

Generatoren skal stå vandret.

Kontrollér oliestanden før hver anvendelse. Gå frem på følgende måde:

- Åbn generatorens klap.
- Afbryd generatorens funktioner med hovedafbryderen (fig. 4 1, side 5).
- Afbryd forbindelsen til forsyningsbatteriets pluspol.
- Træk målepinden (fig. 4 2, side 5) ud af påfyldningsstudsens (fig. 4 3, side 5).
- Rengør målepinden (fig. 4 2, side 5) med en klud.
- Stik målepinden (fig. 4 2, side 5) helt ind i påfyldningsstudsens (fig. 4 3, side 5).
- Træk målepinden (fig. 4 2, side 5) ud af påfyldningsstudsens.
- Kontrollér, om oliestanden ligger mellem indhakkets (maks. påfyldningsniveau) og målepindens spids (fig. 4 4, side 5).
Påfyld olie, hvis det ikke er tilfældet.
- Stik målepinden (fig. 4 2, side 5) helt ind i påfyldningsstudsens (fig. 4 3, side 5).
- Forbind generatoren med forsyningsbatteriets pluspol.
- Tænd generatoren med hovedafbryderen (fig. 4 1, side 5), så den er driftsklar.
- Luk generatorens klap.

8.8 Tilkobling af automatisk drift

Du kan kun tilkoble den automatiske drift:

- når den blev konfigureret ved monteringen af generatoren.
- når køretøjet er standset, og tændingen er slået fra.
- når kontakten for automatisk drift (hvis den findes) er slukket.

I den automatiske drift starter generatoren automatisk, når det tilsluttede batteris spænding er for lav, og oplader batteriet.

Generatoren frakobles automatisk, når batteriet er fuldstændigt opladet.

Sådan tilkobler du den automatiske drift:

- Tænd kontakten for automatisk drift (hvis den findes).
- Slå tændingen fra.
- Tænd fjernstyringen ved at trykke på tænd/sluk-knappen.
- ✓ På displayet vises: *AUTO?*



BEMÆRK

Hvis displayet viser *GEN OFF* i stedet for *AUTO?*, er den automatiske drift ikke konfigureret på din generator. Kontakt i dette tilfælde dit autoriserede værksted, der foretog monteringen, og lad den automatiske drift eftermontere.

- Tryk i løbet af 20 sek. på starttasten, og hold den trykket ned i 3 sekunder.
- ✓ På displayet vises: *AUTO*.
- Den automatiske drift er tilkoblet.



BEMÆRK

I den automatiske drift kan du ikke starte generatoren med starttasten. Generatoren starter automatisk. Du kan fra- og tilkoble generatoren med kontakten for automatisk drift (hvis den findes).

8.9 Frakobling af automatisk drift

- Sluk kontakten for automatisk drift (hvis den findes).

Eller...

- Slå tændingen til.
- ✓ På displayet vises: *GEN OFF*.

9 Rengøring af generatoren



VIGTIGT! Fare for beskadigelse!

- Rengør ikke generatoren med en højtryksrenser. Indtrængende vand kan beskadige generatoren.
 - Anvend ikke skarpe eller hårde genstande eller rengøringsmidler til rengøring, da det kan beskadige generatoren.
 - Anvend udelukkende vand med et skånende rengøringsmiddel til at rengøre generatoren. Anvend under ingen omstændigheder benzin, diesel eller opløsningsmidler.
- Rengør af og til generatorens kabinet med en fugtig klud.
 - Fjern regelmæssigt tilsmudsninger fra generatorens ventilationsåbninger. Generatorens lameller må i den forbindelse ikke beskadiges.

10 Vedligeholdelse af generatoren

10.1 Vedligeholdelsestabel



ADVARSEL!

Lad fagfolk, der kender de gældende forskrifter, udføre alle vedligeholdelsesarbejder. Ved ukorrekte vedligeholdelsesarbejder kan der opstå betydelige farer.



BEMÆRK

Lad følgende vedligeholdelsesarbejder udføre med de anførte mellemrum eller efter det anførte antal driftstimer, afhængigt af hvad der forekommer først.

Interval	Kontrol/vedligeholdelse
I den første måned eller efter 20 timer	<ul style="list-style-type: none"> ➤ Lad olien udskifte. ➤ Lad luftfilteret vedligeholde (kapitlet „Vedligeholdelse af luftfilteret (fig. 7, side 6)“ på side 177).
Hver 3. måned eller efter 50 timer	<ul style="list-style-type: none"> ➤ Lad luftfilteret vedligeholde (kapitlet „Vedligeholdelse af luftfilteret (fig. 7, side 6)“ på side 177).
Hver 6. måned eller efter 100 timer	<ul style="list-style-type: none"> ➤ Lad olien udskifte. ➤ Lad tændrøret vedligeholde (kapitlet „Vedligeholdelse af tændrøret“ på side 179).
Årligt eller for hver 300 timer	<ul style="list-style-type: none"> ➤ Lad ventilerne vedligeholde. ➤ Kun TEC29: Lad benzintanken og brændstoffilteret vedligeholde. ➤ Lad vibrationsdæmperen vedligeholde.
Hver andet år	<ul style="list-style-type: none"> ➤ Kun TEC29: Lad benzinledningerne vedligeholde. ➤ Kun TEC29LPG: Lad gasledningerne vedligeholde.

10.2 Forberedelse af vedligeholdelsesarbejder



FORSIGTIG!

Overhold følgende ved alle vedligeholdelsesarbejder:

- Generatoren må ikke være i drift.
- Alle dele skal være kølet af.

- Afbryd generatorens funktioner med hovedafbryderen (fig. **4** 1, side 5).
- Afbryd forbindelsen til forsyningsbatteriets pluspol.
- Åbn generatorens klap.

Ved vedligeholdelsesarbejder kan du trække generatoren ud (fig. **5**, side 5):



ADVARSEL!

Fundamentpladen med generatoren er meget tung (> 40 kg) og kan falde ud af kabinettet, hvis du trækker den for langt ud.

- Løsn fastgørelsesskruerne (**1**).
- Træk fundamentpladen (**2**) med generatoren ud af kabinettet (**3**).

10.3 Afslutning af vedligeholdelsesarbejder

- Forbind generatoren med forsyningsbatteriets pluspol.
- Tænd generatoren med hovedafbryderen (fig. **4** 1, side 5), så den er driftsklar.
- Luk generatorens klap.

10.4 Olieskift (fig. 6, side 6)

**FORSIGTIG!**

Varm olie kan forårsage forbrændinger.

**VIGTIGT!**

Aflever ubetinget spildolie til specialfirmaer med henblik på bortskaffelse eller genanvendelse, og overhold lovene i det pågældende lande til beskyttelse af miljøet.

Du kan anvende følgende olie:

- Olie til firetaktsmotorer i klasse API SG eller SF.
- Olie i klasse SAE 10W-30 (anvendelse mulig ved alle temperaturer).
- Olie med et områdes viskositet.
Vælg den egnede viskositet afhængigt af den gennemsnitlige lokale temperatur.

Sådan skifter du olie:

- Lad generatoren køre varm i tre til fem minutter, så olien bliver mere flydende og løber hurtigt og fuldstændigt ud.
- Stil en egnet beholder under aftapningsskruen (1).
- Tag aftapningsskruen af (1).
- ✓ Olien løber ud.
- Påfyld ny olie i oliestudsens.
Oliemængden er: 0,6 l.

10.5 Vedligeholdelse af luftfilteret (fig. 7, side 6)

**ADVARSEL! Eksplosionsfare!**

Anvend ikke dieselolie eller opløsningsmidler med lavt fordampningspunkt til at rengøre luftfilteret. De kan antændes eller eksplodere.

**VIGTIGT!**

Lad aldrig motoren køre uden luftfilter. I modsat fald slides motoren for hurtigt.

**BEMÆRK**

Hvis luftfilteret er tilsmudset, reduceres luftstrømmen til karburatoren. For at karburatoren fungerer godt, skal du regelmæssigt kontrollere filtertilstanden. Kontrollér den tilsvarende hyppigere, hvis generatoren anvendes i særligt støvede omgivelser.

- Forbered vedligeholdelsesarbejderne, og træk generatoren et stykke ud af kabinettet: Se kapitlet „Forberedelse af vedligeholdelsesarbejder“ på side 176.
- Fjern vingemøtrikkerne (1) og filterafdækningen (2).
- Fjern vingemøtrikkerne (3).
- Tag luftfilteret (4) ud.
Luftfilteret består af to elementer: Et svampefilter og et papirfilter.
- Kontrollér begge filterelementers tilstand omhyggeligt. Udskift beskadigede filterelementer.
- Rengør ubeskadigede filterelementer: Se følgende afsnit.
- Afslut vedligeholdelsesarbejderne: Se kapitlet „Afslutning af vedligeholdelsesarbejder“ på side 176.

Rengøring af svampefilteret

- Vask svampen med en neutral rengøringsmiddelopløsning, og skyl den omhyggeligt.
- Lad svampen tørre fuldstændigt.
- Væd svampen med ren motorolie.
- Tryk den overskydende olie ud.

Rengøring af papirfilteret

- Fjern urenheder fra papiret ved at slå det let på en hård flade flere gange, eller blæs filteret ud indefra og ud med trykluft.
Børst **ikke** papiret af, da smuds derved trænger ind i papirfilterets fibre.
- Udskift papirfilteret, hvis det er meget tilsmudset.

10.6 Vedligeholdelse af tændrørret



VIGTIGT!

- Spænd tændrørret omhyggeligt. Et tændrør, der ikke er spændt fast, kan blive meget varmt og forårsage skader på motoren.
- Anvend udelukkende tilsvarende tændrør.
- Når du indsætter et nyt tændrør, skal du spænde det med en 1/2 omdrejning, når det sidder fast på spændeskiven. Hvis der anvendes brugte tændrør, er en 1/8 eller en 1/4 drejning tilstrækkelig.

- Forbered vedligeholdelsesarbejderne: Se kapitlet „Forberedelse af vedligeholdelsesarbejder“ på side 176.
- Tag tændrørshætten af.
- Tag tændrørret ud med en tændrørsnøgle.
- Kontrollér tændrørret med en visuel kontrol.
Hvis det er åbenlyst, at tændrørret er slidt eller isolatoren beskadiget eller har revner, skal du udskifte tændrørret.
Hvis tændrørret kun er tilsmudset, skal du rengøre det med en stålborste.
- Mål afstanden mellem elektroderne med en tykkelsesmåler (fig. 8, side 7). Den skal være 0,7 – 0,8 mm og kan evt korrigeres ved at bøje elektroden.
- Kontrollér, om tændrørstætningen er intakt.
- Hvis det er tilfældet, skal du spænde tændrørret manuelt for at undgå en beskadigelse af gevindet.
- Spænd tændrørret med en tændrørsnøgle, så spændeskiven trykkes sammen.
- Afslut vedligeholdelsesarbejderne: Se kapitlet „Afslutning af vedligeholdelsesarbejder“ på side 176.

11 Udbedring af fejl

Fejl	Årsag	Udbedring
Når der trykkes på tænd/sluk-tasten, tændes fjernbetjeningen ikke.	Startbatteri afladet.	➤ Oplad startbatteriet.
	Strømkabel afbrudt eller stik trukket ud.	➤ Kontakt et autoriseret værksted.
	Generatorens stelkabel afbrudt eller sikring (hvis din findes) udløst.	
Når der trykkes på starttasten, drejer starteren ikke.	Startbatteri afladet.	➤ Oplad startbatteriet.
	Hovedafbryderen står på „0“.	➤ Stil hovedafbryderen på „I“ eller „1“.
	Starterens aksel tilsmudset.	➤ Rengør starterens aksel.
	For meget olie i motoren.	➤ Aftap olie.
	Inverter beskadiget.	➤ Kontakt et autoriseret værksted.
	Strømkabel afbrudt eller stik trukket ud.	
	Generatorens stelkabel afbrudt eller sikring (hvis din findes) udløst.	
Starteren forsynes ikke med strøm.		
Starteren drejer, men generatoren starter ikke.	Ingen benzin/LPG.	➤ Påfyld benzin/LPG.
	Tændrøret får ingen strøm.	➤ Kontrollér de elektriske forbindelser.
	Karburatoren får ingen benzin.	➤ Rengør karburatoren.
	Luftindsugning tilstoppet.	➤ Kontrollér luftfilteret (se kapitlet „Vedligeholdelse af luftfilteret (fig. 7, side 6)“ på side 177).
	Udenomstemperaturen er under 0 °C.	➤ Anvend ren propangas.
	Inverter beskadiget.	➤ Kontakt et autoriseret værksted.
	Strømkabel afbrudt eller stik trukket ud.	

Fejl	Årsag	Udbedring
Generatoren har tendens til at frakoble.	For meget olie i motoren.	➤ Aftap olie.
	Last over 2,6 kW.	➤ Sluk forbrugere.
	Karburatoren får ingen benzin.	➤ Rengør karburatoren.
	Luftindsugning tilstoppet.	➤ Kontrollér luftfilteret (se kapitlet „Vedligeholdelse af luftfilteret (fig. 7, side 6)“ på side 177).
	Inverter beskadiget.	➤ Kontakt et autoriseret værksted.
	Elektromagnet blokeret.	
	Luftfilter tilsmudset.	
Generatoren er startet, men skaber ingen spænding.	Inverter beskadiget.	➤ Kontakt et autoriseret værksted.
	Stepmotor defekt eller kabel afbrudt.	
	Elektromagnet blokeret.	
	Drosselklapventil blokeret.	
Generatoren starter med kraftig acceleration og bliver derefter stående med meldingen „GENERATOR ALERT“.	Inverter beskadiget.	➤ Kontakt et autoriseret værksted.
	Stepmotor defekt eller kabel afbrudt.	
Den skabte spænding er ustabil.	Inverter beskadiget.	➤ Kontakt et autoriseret værksted.
	Stepmotor defekt eller kabel afbrudt.	

12 Garanti

Den lovbestemte garantiperiode gælder. Hvis produktet er defekt, skal du kontakte en servicepartner i dit land (adresser, se vejledningens bagside).

Vores specialister hjælper gerne videre og diskuterer garantiens videre forløb.

13 Bortskaffelse

- Bortskaf så vidt muligt emballagen sammen med det tilsvarende genbrugsaffald.



Hvis du tager produktet endegyldigt ud af drift, skal du kontakte det nærmeste recyclingcenter eller din faghandel for at få de pågældende forskrifter om bortskaffelse.




Beskyt miljøet!

Genopladelige og ikke genopladelige batterier hører ikke til i husholdningsaffaldet.

Aflevér defekte genopladelige batterier og brugte batterier hos forhandleren eller ved et indsamlingssted.

14 Tekniske data

	Dometic TEC29	Dometic TEC29LPG
Art.nr.:	9102900200	9102900179
Nominel udgangsspænding:	230 V~ /50 Hz	
Maks. konstant effekt (ved 25 °C på havets over- flade):	2600 W	
Udgangsspænding batterilader:	12 V===	
Maks. udgangsstrøm batterilader:	10 A	
Driftstemperaturområde:	-15 °C til +50 °C	-15 °C til +50 °C (afhængigt af propan- andel af LPG)
Forvrængningsfaktor:	1 %	
Brændstof:	Normalbenzin ROZ 91	F-gas LPG
Forbrug:	300 g/kWh maks. 1,2 l/h	408 g/kWh maks. 1,0 kg/h
Motoreffekt:	4,0 kW (5,5 PS)	
Garanteret lydniveau:	86 dB(A)	
Lydniveau på 7 m afstand:	54 – 59 dB(A)	
Mål:	se fig. 9, side 7	
Vægt:	44 kg	
Godkendelse/certifikat:		

Läs igenom anvisningarna noga innan produkten tas i drift. Spara bruksanvisningen för senare bruk. Överlämna bruksanvisningen till den nya ägaren vid ev. vidareförsäljning.

Innehållsförteckning

1	Förklaring till symboler	185
2	Säkerhetsanvisningar	186
3	Målgrupp	188
4	Leveransomfattning	188
5	Tillbehör	189
6	Ändamålsenlig användning	189
7	Teknisk beskrivning	190
8	Använda generatorn	192
9	Rengöring av generator	198
10	Underhåll av generator	199
11	Åtgärder vid störningar	204
12	Garanti	206
13	Avfallshantering	206
14	Tekniska data	207

1 Förklaring till symboler

**VARNING!**

Observera: Beaktas anvisningen ej kan det leda till dödsfara eller svåra skador.

**AKTA!**

Observera: Beaktas anvisningen ej kan det leda till kroppsskador.

**OBSERVERA!**

Om anvisningarna inte beaktas kan det leda till materialskador och produktens funktion kan påverkas negativt.

**ANVISNING**

Kompletterande information om användning av produkten.

► **Arbetssteg:** denna symbol står framför en arbetsinstruktion.
Tillvägagångssättet beskrivs steg för steg.

✓ Denna symbol står framför beskrivningen av resultatet.

Bild 1 5, sidan 3: anger en detalj på en bild, i detta exempel "position 5 på bild 1 på sidan 3".

2 Säkerhetsanvisningar

Tillverkaren övertar inget ansvar för skador i följande fall:

- skador på produkten, orsakade av mekanisk påverkan eller överspänning
- ändringar som utförts utan uttryckligt medgivande från tillverkaren
- ej ändamålsenlig användning

Detta gäller speciellt följskador, särskilt sådana följskador som uppstår p.g.a. att generatorn inte fungerar.

Beakta nedanstående grundläggande säkerhetsanvisningar för elapparater för att förhindra:

- Elektriska stötar
- Brandfara
- Skador

2.1 Allmän säkerhet



WARNING!

- **Elapparater är inga leksaker!**

I samband med elektriska apparater kan det uppstå farliga situationer som barn är ovetande om. Låt inte barn använda elektriska apparater utan uppsikt.

- Personer (och barn), som på grund av fysiska, sensoriska eller mentala funktionshinder eller på grund av oerfarenhet eller ovetande inte kan använda apparaten på ett säkert sätt, bör inte använda apparaten utan uppsikt eller hjälp av en ansvarig person.
- Använd endast den portabla toaletten för angivna ändamål.
- Den portabla toaletten får inte modifieras eller på något annat sätt ändras!
- Installation, underhåll och reparationer av generatorn får endast genomföras av härför utbildad personal, som är förtrogen med riskerna vid hantering av generatorn och känner till de gällande föreskrifterna. Icke fackmässiga reparationer kan leda till att allvarliga faror uppstår. Vänd dig till tillverkarens filial i ditt land när det gäller reparationer (adresser finns på baksidan).

- Avgaserna innehåller kolmonoxid, som är ett luktlöst, färglöst och mycket giftigt ämne. Andas inte in avgaserna. Låt inte generatorns motor vara igång i ett slutet utrymme som t.ex. ett garage eller ett rum utan fönster.

**AKTA!**

- Generatoren får endast användas när luckan är stängd.
- Avlägsna alla lättantändliga material som bensin, lack, lösningsmedel och liknande från området kring generatoren.
- Se till att inga av de delar på generatoren som blir heta vidrör de lättantändliga materialen.
- Tanka endast generatoren när den är avstängd och befinner sig i ett välventilerat utrymme. Bensin och gasol är mycket brandfarligt och kan explodera.
- Tanka inte generatoren om fordonets motor är igång och tanken är i närheten av generatoren.
- **Endast TEC29:** Om bensin spills ut, torka noggrant upp den och vänta med att starta motorn tills ångorna har dunstat.
- **Endast TEC29LPG:** Jämför tryckangivelsen på typskylten med tryckuppgifterna på gasolflaskan.
- **Endast TEC29LPG:** Lagra **aldrig** gasolflaskor i ej ventilerade utrymmen eller under markytan (trattformiga jordhålor).
- **Endast TEC29LPG:** Se till att gasolflaskorna skyddas mot direkt solljus. Temperaturen får inte överskrida 50 °C.
- Vidrör inte generatoren och ledningarna med fuktiga händer.
- Byt endast ut säkringar och termobrytare mot sådana med samma tekniska egenskaper.
- Ställ inte generatoren i automatläge i närheten av antändningskällor (t.ex. bensinstationer, på torra platser med där risk för skogsbrand föreligger).

**OBSERVERA!**

- **Endast TEC29:** Överfyll inte bensintanken. Ingen bensin får finnas i tankens hals. Kontrollera att locket är riktigt stängt.

2.2 Säkerhet under användning



WARNING!

- Stäng alltid av strömförsörjningen innan arbeten utförs på apparaten.



OBSERVERA!

- Använd endast apparaten när apparathöljet och kablarna är oskadade.

3 Målgrupp

Informationen i bruksanvisningen är avsedd för generatorns användare.

4 Leveransomfattning

TEC29

Beteckning	Artikelnummer
Generator TEC29	9102900200
AG 102, Omkopplingsrelä för prioritetskoppling	9102900013
Monteringsanvisning	
Bruksanvisning	

TEC29LPG

Beteckning	Artikelnummer
Generator TEC29LPG	9102900179
AG 102, Omkopplingsrelä för prioritetskoppling	9102900013
Monteringsanvisning	
Bruksanvisning	

5 Tillbehör

Följande tillbehör finns tillgängligt (ingår inte i leveransen):

Komponent	Artikelnummer
Endast TEC29: AG 101, tank 15 l, plast	9102900009
Endast TEC29: AG 100, tank 20 l, rostfritt stål	9102900011
Endast TEC29: AG 150, slangset för AG 100 / AG 101	9102900003
AG 125, flexibel metallslang för förlängning av avgasrör, 5 m	9102900138
AG 128, tätning till TEC29	9102900040

6 Ändamålsenlig användning

Generatorena TEC29 (art.nr. 9102900200) och TEC29LPG (art.nr. 9102900179) har tagits fram för användning i husvagnar, husbilar och kommersiella transportfordon.

Generatoren får **inte** monteras i vattenfordon.

Generatoren alstrar en ren sinusformad växelspanning på 230 V/50 Hz. Till denna kan förbrukare med en total kontinuerlig effekt på 2 600 W anslutas. Ström kvaliteten passar även för känsliga förbrukare (t.ex. hemdatorer).

Generatoren kan användas för att ladda upp ett 12 V-batteri.

7 Teknisk beskrivning

Generatorerna TEC29 och TEC29LPG består av följande huvudelement (bild **1**, sida 3):

- Förbränningsmotor (1)
- Växelströmgenerator (2) med permanenta magneter
- Inverter (3)
- Kopplingspanel (4)
- Fjärrkontroll (5)

Förbränningsmotorn (1) försätter strömgeneratoren (2), som är fäst i förbränningsmotorn, i rotation och den senare alstrar en växelspanning.

Invertern (3) omformar denna växelspanning till en stabil spänning på 230 V och 50 Hz.

I kopplingspanelen (4) hittar du anslutningsklämmor, uttag för anslutningskabeln till fjärrkontrollen och (5) huvudbrytaren.

Översikt över alla komponenter:

- TEC29: bild **10**, sida 8.
- TEC29LPG: bild **11**, sida 9

Generatoren erbjuder följande möjligheter:

- Integrerad batteriladdare för uppladdning av det anslutna batteriet
- Automatdrift för automatisk uppladdning av det anslutna batteriet (måste vara konfigureras på motsvarande sättet vid monteringen).

Reglage på anslutningsboxen

Anslutningsboxen sitter på generatorm bakom täckkåpan.

Pos. på bild 2 , sida 4	Beskrivning	
1	Huvudbrytare	Används för att ställa generatorm i lägena driftklar och inaktiverad.
2	Endast TEC29: Skydds-brytare	Elektromekaniskt skydd mot överbelastning.
3	Endast TEC29LPG: Huvudsäkring	Löser ut vid överbelastning på växel-spänningssidan. Säkringen måste bytas när den löst ut.
4	Endast TEC29LPG: Säkring, batteriladdare	Löser ut vid överbelastning på likspänningssidan. Säkringen måste bytas när den löst ut.

Reglage på fjärrkontrollen

Fjärrkontrollen är monterad invändigt i fordonet.

Pos. på bild 3 , sida 4	Beskrivning	
1	Display	Visar statusmeddelanden.
2	På-/avstängningsknapp "0"	Aktiverar och stänger av fjärrkontrollen när huvudbrytaren står på "I" resp. "1". Stoppar generatorm.
3	Startknapp "START"	Startar generatorm när fjärrkontrollen är aktiverad och huvudbrytaren står på "I" resp. "1".
4	Endast TEC29: Bensinindikator	Tänds när bensin hämtas från reserv-tanken.
5	Oljeindikator	Tänds när oljenivån i motorn är för låg.

Displayindikeringar

Pos. på bild 3, sida 4	Beskrivning	
6	Växelspänning	Aktuell utgångsspänning
7	konstant effekt	Aktuell effekt för anslutna förbrukare
8	Drifttimmar	Tid som generatoren är i drift
9	Likspänning	Batterispänning
10	Meddelanden	Generatorns statusmeddelande (se kapitel "Meddelanden på displayen" på sidan 194)

8 Använda generatoren



OBSERVERA!

Kör inte generatoren på mer än 70 % av maximal kontinuerlig effekt under de första 50 drifttimmarna (inkörningsfas).



ANVISNING

Kör generatoren med max. 75 % av maximal kontinuerlig effekt inkörningsfasen.

På så sätt kan du maximera generators livslängd och effekt.

8.1 Grundläggande anvisningar för användning



AKTA! Risk för skador!

Stick inte in fingrarna eller några föremål i luftmunstyckena eller intagsgallret.

Beakta följande anvisningar:

- Kontrollera oljenivån innan varje användning (kapitel "Kontroll av oljenivå" på sidan 196).
- **Endast TEC29LPG:** Innan varje användning, använd läckspray för att kontrollera att gasoltillförseln är tät.
- Även kortvariga överbelastningar leder på sikt till att säkerhetsbrytaren (**TEC29**) eller säkringarna (**TEC29LPG**) löser ut.

- Låt generatorm vara igång några minuter utan förbrukare innan du stänger av den.
- Kraftiga inbromsningar, accelerationer och kurvtagningar kan orsaka problem i generatorms pumphsystem och medföra att generatorm stängs av.
- Om du inte använder generatorm under en längre tid, starta den minst en gång var 30:e dag och låt den vara igång minst 15 minuter.

8.2 Ställa generatorm i läget driftklar eller inaktiverad

Huvudbrytaren (bild **2** 1, sida 4) på anslutningsboxen används för att ställa generatorm i läget driftklar eller inaktiverad.

8.3 Slå på och stänga av fjärrkontrollen

På/av-knappen (bild **3** 2, sida 4) på fjärrkontrollen används för att aktivera och stänga av fjärrkontrollen.

- Aktivera fjärrkontrollen med på/av-knappen.
- ✓ Displayen visar: *GEN OFF*.
Displayen stängs av automatiskt efter 5 minuter om startknappen inte trycks ner under denna tid.
Genom att trycka på startknappen kan du aktivera displayen igen.
- ✓ Generatorm kan nu startas.

8.4 Starta generatorm

Generatorm kan endast startas när den har ställts i läget driftklar och när fjärrkontrollen är aktiverad.



ANVISNING

Om generatorm fortfarande är varm tryck endast kort på startknappen för att starta den. Håll in knappen längre om generatorm är kall.

- Starta generatorm med startknappen (bild **3** 3, sida 4).

8.5 Stoppa generatorm

- Stoppa generatorm med startknappen (bild **3** 2, sida 4).

Om generatorm inte stoppas: Stäng av den med huvudbrytaren (bild **2** 1, sida 4).

8.6 Meddelanden på displayen

Displaymeddelande Beskrivning	Generatorms beteende	Åtgärder
<i>LOW BATTERY</i> Batterispänningen ligger under min.-värdet för startspänning (9 V).	Generatorm startar inte.	Ladda batteriet.
<i>OIL CHANGE</i> Förinställt antal drifttimmar för oljebyte har uppnåtts.	Generatorm fortsätter att vara igång.	Byt oljan (se kapitel "Byta olja (bild 6 , sida 6)" på sidan 201) och starta generatorm igen genom att hålla in startknappen.
<i>NO FUEL</i> Bensinen hämtas från reservtanken.	Generatorm fortsätter att vara igång.	Tanka.
<i>OIL ALERT</i> Motoroljenivå för låg.	Generatorm stoppas.	Fyll på oljan (se kapitel "Kontroll av oljenivå" på sidan 196).
<i>GENERATOR ALERT!</i> Allmänt larmmeddelande Exempel: Gasspjällets kontrollring från förgasaren (stegmotor) är defekt.	Generatorm stoppas.	Kontrollera systemet med hjälp av tabellen Störningar, orsaker och åtgärder. Vänd dig till tillverkarens filial i ditt land om problemet kvarstår (adresser finns på baksidan).
<i>OVERLOAD!</i> Förbrukarna orsakar en överbelastning vid utgången.	Invertern stängs av och därför avges ingen spänning mer. Motorn fortsätter dock att vara igång tills den stängs av.	Minska den anslutna lasten och starta generatorm på nytt.
<i>SHORT CIRCUIT</i> Förbrukarna orsakar en kortslutning vid utgången.	Invertern stängs av och därför avges ingen spänning mer. Motorn fortsätter dock att vara igång tills den stängs av.	Kontrollera skicket på de anslutna förbrukarna och starta sedan generatorm på nytt.

Displaymeddelande Beskrivning	Generators beteende	Åtgärder
<i>OVER TEMPERATURE</i> Överhettning	Invertern stängs av och därför avges ingen spänning mer. Motorn fortsätter dock att vara igång för att låta generatorm svalna.	Låt generator svalna, vänta ett par minuter och starta sedan generatorm på nytt.
<i>LOW POWER ENGINE</i> Inverters försörjningsspänning faller bort.	Generatorm stoppas.	Minska den anslutna lasen och starta generatorm på nytt.
<i>RESTART GEN?</i> Meddelande som visas efter att generatorm stoppats på grund av överhettning.	Generatorm stängs av.	Tryck på startknappen igen för att starta generatorm på nytt.
<i>GEN CAL</i> Meddelande som visas när generatorm startas; det visar kalibreringsmeddelandet som föregår varje start. Generatorm avger ingen spänning.	Generatorm roterar men avger ingen spänning.	Vänta ett ögonblick.
<i>GEN WAIT</i> Meddelande som visas i pausen mellan två startförsök.	Generatorm stängs av.	Vänta tills meddelandet försvinner och gör sedan ett nytt tändningsförsök.
<i>GEN ON</i> Normal drift för generatorm.	Normal drift	–
<i>GEN OFF</i>	Generatorm är i viloläge och kan startas.	–
<i>AUTO?</i> Meddelande som visas när automatdriften aktiveras	Styrningen väntar på att användaren gör en inmatning	Tryck in startknappen inom 20 sekunder och håll den intryckt i 3 sekunder.
<i>AUTO</i> Automatdrift	Automatdriften är aktiverad	–

8.7 Kontroll av oljenivå

**AKTA!**

Het olja kan orsaka brännskador.
Kontrollera endast oljenivån när generatorm är avstängd.

**ANVISNING**

Generatorm måste stå vågrätt.

Kontrollera oljenivån innan varje användning. Tillvägagångssätt:

- Öppna generatorms lucka.
- Använd huvudbrytaren (bild **4** 1, sida 5) och ställ generatorm i läget inaktiv.
- Bryt förbindningen till förbrukarbatteriets pluspol.
- Dra ut mätstickan (bild **4** 2, sida 5) ur påfyllningsröret (bild **4** 3, sida 5).
- Rengör mätstickan (bild **4** 2, sida 5) med en trasa.
- För in mätstickan (bild **4** 2, sida 5) helt i påfyllningsröret (bild **4** 3, sida 5).
- Dra ut mätstickan (bild **4** 2, sida 5) ur påfyllningsröret.
- Kontrollera om oljenivån ligger mellan skåran (max.-nivå) och mätstickans spets (bild **4** 4, sida 5).
Om inte, fyll på olja.
- För in mätstickan (bild **4** 2, sida 5) helt i påfyllningsröret (bild **4** 3, sida 5).
- Anslut generatorm med förbrukarbatteriets pluspol.
- Använd huvudbrytaren (bild **4** 1, sida 5) och ställ generatorm i läget driftklar.
- Stäng generatorms lucka.

8.8 Aktivera automatdrift

Automatdrift kan endast aktiveras vid följande förutsättningar:

- när den konfigurerades vid generatorns installation
- om fordonet står still och tändningen är avslagen
- om omkopplaren för automatdrift (om tillgänglig) har kopplats till

I automatdriften startar generatorm automatiskt när det anslutna batteriets spänning är för låg och laddar då upp batteriet.

Generatorm stängs av automatiskt när batteriet är fulladdat.

Koppla till automatdrift:

- Koppla till omkopplaren för automatdriften (om tillgänglig).
 - Slå av tändningen.
 - Tryck på på-/avknappen för att aktivera fjärrstyrningen.
- ✓ Följande visas på displayen: *AUTO?*



ANVISNING

Om displayen visar *GEN OFF* istället för *AUTO?* har automatdriften inte konfigurerats för generatorm. Vänd dig i detta fall till den auktoriserade verkstaden som utförde monteringen och låt dem installera automatdriften.

- Tryck på startknappen inom 20 sekunder och håll den nedtryckt 3 sekunder.
- ✓ Följande visas på displayen: *AUTO*.
- Automatdriften kopplas till.



ANVISNING

Under automatdrift kan du inte starta generatorm med startknappen. Generatorm startar automatiskt. Du kan både stänga av och aktivera generatorm med omkopplaren för automatdriften (om tillgänglig).

8.9 Stänga av automatdrift

- Stäng av omkopplaren för automatdrift (om tillgänglig).
eller...
- Slå på tändningen.
- ✓ Följande visas på displayen: *GEN OFF*.

9 Rengöring av generator



OBSERVERA! Risk för skador!

- Använd inte högtryckstvätt för att rengöra generatorm. Generatorm kan skadas om det kommer in vatten i den.
 - Använd inga vassa eller hårda föremål för rengöring, använd inga frätande rengöringsmedel; generatorm kan skadas.
 - Använd endast vatten och ett mildt rengöringsmedel för att rengöra generatorm. Använd aldrig bensin, diesel eller lösningsmedel.
- Rengör generatorms hölje då och då med en fuktig trasa.
 - Avlägsna regelbundet smuts från generatorms ventilationsöppningar. Se till att generatorms lameller inte skadas.

10 Underhåll av generator

10.1 Underhållstabell



VARNING!

Låt endast härför utbildad personal som är förtrogen med gällande riktlinjer utföra samtliga typer av underhållsarbeten. Icke fackmässiga underhållsarbeten kan leda till att allvarliga faror uppstår.



ANVISNING

Utför följande underhållsarbeten enligt angivna tidsintervaller eller efter angivet antal drifttimmar, beroende på vad som kommer först.

Intervall	Kontroll/underhåll
Inom den första månaden eller efter 20 timmar	<ul style="list-style-type: none"> ➤ Byt olja. ➤ Underhåll luftfiltret (kapitel "Underhåll av luftfilter (bild 7, sida 6)" på sidan 201).
Var tredje månad eller efter 50 timmar	<ul style="list-style-type: none"> ➤ Underhåll luftfiltret (kapitel "Underhåll av luftfilter (bild 7, sida 6)" på sidan 201).
Var 6:e månad eller efter 100 timmar	<ul style="list-style-type: none"> ➤ Byt olja. ➤ Underhåll tändstiftet (kapitel "Underhålla tändstiftet" på sidan 203).
En gång per år eller efter var 300:e timme	<ul style="list-style-type: none"> ➤ Underhåll ventilerna. ➤ Endast TEC29: Underhåll bensintanken och bränslefiltret. ➤ Underhåll vibrationsdämparen.
Vartannat år	<ul style="list-style-type: none"> ➤ Endast TEC29: Underhåll bensinledningarna. ➤ Endast TEC29LPG: Underhåll gasolledningarna.

10.2 Förberedelse av underhållsarbeten



AKTA!

Observera följande vid alla typer av underhållsarbeten:

- Generatoren får inte vara i drift.
- Alla komponenter måste ha svalnat.

- Använd huvudbrytaren (bild **4** 1, sida 5) och ställ generatoren i läget inaktiv.
- Bryt förbindningen till förbrukarbatteriets pluspol.
- Öppna generatorns lucka.

För underhållsarbeten kan du dra ut generatoren (bild **5**, sida 5):



VARNING!

Bärrarplatta med generator är mycket tung (> 40 kg) och kan ramla ut ur höljet om du dra ut den för långt.

- Lossa fästskruvarna (1).
- Dra ut bärrarplattan (2) med generatoren ur höljet (3).

10.3 Avsluta underhållsarbeten

- Anslut generatoren med förbrukarbatteriets pluspol.
- Använd huvudbrytaren (bild **4** 1, sida 5) och ställ generatoren i läget driftklar.
- Stäng generatorns lucka.

10.4 Byta olja (bild **6**, sida 6)

**AKTA!**

Het olja kan orsaka brännskador.

**OBSERVERA!**

Lämna spillolja till platser där oljan avfallshanteras och återvinns på ett korrekt sätt och följ det aktuella landets miljöskyddslagar.

Följande oljor kan användas:

- Olja för fyrtaktsmotorer i klass API SG eller SF.
- Olja i klass SAE 10W-30 (kan användas vid alla temperaturer).
- Olja med enkelområdesviskositet.
Välj lämplig viskositet beroende på genomsnittlig lokal temperatur.

Byte av olja:

- Låt generatormotorn gå varm i tre till fem minuter så att oljan blir mer flytande och töms snabbt och fullständigt.
- Ställ en lämplig behållare under tömningskruven (1).
- Ta bort tömningskruven (1).
- ✓ Oljan töms.
- Fyll på ny olja i oljeröret.
Oljemängden är: 0,6 l.

10.5 Underhåll av luftfilter (bild **7**, sida 6)

**VARNING! Explosionsrisk!**

Använd varken dieselolja eller lösningsmedel med låg förångningspunkt för att rengöra luftfiltret. Dessa kan antändas eller explodera.

**OBSERVERA!**

Låt aldrig motorn vara igång utan luftfilter. Annars nöts motorn snabbt.

**ANVISNING**

När luftfiltret är smutsigt minskar luftströmmen till förgasaren. För att förgasaren ska fungera som den ska, bör du regelbundet kontrollera filtrets skick. Kontrollera generatorm oftare om den används i dammiga omgivningar.

- Förbered underhållsarbetena och dra ut generatorm ett stycke ur höljet: se kapitel "Förberedelse av underhållsarbeten" på sidan 200.
- Avlägsna vingmuttern (1) och filterkåpan (2).
- Avlägsna vingmuttern (3).
- Avlägsna luftfiltret (4).
Luftfiltret består av två element: ett svampfilter och ett pappersfilter.
- Kontrollera noggrant skicket på de båda filterelementen. Byt de skadade filterelementen.
- Rengör oskadade filterelement: se följande avsnitt.
- Avsluta underhållsarbetena: se kapitel "Avsluta underhållsarbeten" på sidan 200.

Rengöring av svampfilter

- Tvätta svampen med en neutral tvättmedelslösning och skölj den noggrant.
- Låt svampen torka helt.
- Sänk ner svampen i ren motorolja.
- Tryck sedan ut överflödiga olja.

Rengöring av pappersfilter

- Lossa papperet genom att upprepade gånger lätt slå på en hård smutsyta eller använd tryckluft och blås igenom filtret inifrån och utåt.
Borsta **inte** av papperet eftersom smutsen i sådana fall tränger in i pappersfiltrets fibrer.
- Byt ut pappersfiltret vid kraftig smuts.

10.6 Underhålla tändstiftet



OBSERVERA!

- Dra försiktigt åt tändstiftet. Ett tändstift som inte är ordentligt åtdraget kan bli mycket hett och orsaka skador på motorn.
- Använd endast tändstift av samma typ.
- Om du ska sätta i ett nytt tändstift, dra åt detta med ett 1/2 varv när det sitter fast på brickan. Vid tändstift som redan använts räcker det med att dra åt 1/8 eller ett 1/4 varv.

- Förbered underhållsarbetena: se kapitel "Förberedelse av underhållsarbeten" på sidan 200.
- Ta bort tändstiftshatten.
- Dra ut tändstiftet med en tändstiftsnyckel.
- Kontrollera tändstiftet visuellt.
Om tändstiftet uppvisar tydligt slitage eller om isolatorn är skadad eller trasig, byt ut tändstiftet.
Om tändstiftet bara är smutsigt, rengör det med en stålborste.
- Mät avståndet mellan elektroderna med en tjockleksmätare (bild **8**, sida 7). Avståndet måste vara 0,7–0,8 mm och kan vid behov korrigeras genom att böja elektroderna.
- Kontrollera att tändstiftstätningen är intakt.
- Om ja, skruva åt tändstiftet för hand för att förhindra att gängan skadas.
- Dra åt tändstiftet med en tändstiftsnyckel så att underläggsbrickan pressas samman.
- Avsluta underhållsarbetena: se kapitel "Avsluta underhållsarbeten" på sidan 200.

11 Åtgärder vid störningar

Fel	Orsak	Åtgärd
Fjärrkontrollen aktiveras inte när man trycker på på/av-knappen.	Startbatteriet tomt.	➤ Ladda startbatteriet.
	Strömkabelbrott eller kontakt urdragen. Brott på generatorns jordkabel eller säkringen (om tillgänglig) har löst ut.	➤ Kontakta en auktoriserad verkstad.
Startmotorn går inte runt när man trycker på startknappen.	Startbatteriet tomt.	➤ Ladda startbatteriet.
	Huvudbrytaren står på "0".	➤ Ställ huvudbrytaren på "I" resp. "1".
	Startmotorns axel smutsig.	➤ Rengör startmotorns axel.
	För mycket olja i motorn.	➤ Töm ut olja.
	Invertern skadad.	➤ Kontakta en auktoriserad verkstad.
	Strömkabelbrott eller kontakt urdragen. Brott på generatorns jordkabel eller säkringen (om tillgänglig) har löst ut. Startmotorn förses inte med ström.	
Startmotorn går runt med generatorn aktiveras inte.	Ingen bensin/LPG.	➤ Fyll på bensin/LPG.
	Tändstiftet får ingen ström.	➤ Kontrollera elkablarna.
	Förgasaren får ingen bensin.	➤ Rengör förgasaren.
	Luftinsug tilltäppt.	➤ Kontrollera luftfiltret (se kapitel "Underhåll av luftfilter (bild 7, sida 6)" på sidan 201).
	Omgivningstemperaturen ligger under 0 °C	➤ Använd ren propangas.
	Invertern skadad.	➤ Kontakta en auktoriserad verkstad.
	Strömkabelbrott eller kontakt urdragen.	

Fel	Orsak	Åtgärd
Generatorm tenderar till att stängas av.	För mycket olja i motorn.	➤ Töm ut olja.
	Belastning över 2,6 kW.	➤ Stäng av förbrukaren.
	Förgasaren får ingen bensin.	➤ Rengör förgasaren.
	Luftinsug tilltäppt.	➤ Kontrollera luftfiltret (se kapitel "Underhåll av luftfilter (bild 7, sida 6)" på sidan 201).
	Invertern skadad.	➤ Kontakta en auktoriserad verkstad.
	Elektromagnet blockerad.	
Generatorm har startat men alstrar ingen spänning.	Luftfilter smutsigt.	
	Invertern skadad.	➤ Kontakta en auktoriserad verkstad.
	Stegmotor defekt eller kabelbrott föreligger.	
	Elektromagnet blockerad.	
Generatorm startar med kraftig acceleration, stannar sedan varpå meddelandet "GENERATOR ALERT" visas.	Gasspjäll blockerat.	
	Invertern skadad.	➤ Kontakta en auktoriserad verkstad.
	Stegmotor defekt eller kabelbrott föreligger.	
Den alstrade spänningen är instabil.	Invertern skadad.	➤ Kontakta en auktoriserad verkstad.
	Stegmotor defekt eller kabelbrott föreligger.	

12 Garanti

Den lagstadgade garantitiden gäller. Om produkten är defekt: kontakta en servicepartner i ditt land (adresser, se bruksanvisningens baksida).

Våra specialister står gärna till förfogande och förklarar hur garantiärenden behandlas.

13 Avfallshantering

- Lämna om möjligt förpackningsmaterialet till återvinning.



När produkten slutgiltigt tas ur bruk: informera dig om gällande bestämmelser hos närmaste återvinningscentral eller hos återförsäljaren.




Skydda miljön!

Varken laddningsbara batterier eller andra batterier hör hemma i hushållssoporna.

Lämna dina förbrukade eller defekta (laddningsbara) batterier till återförsäljaren eller till ett insamlingsställe.

14 Tekniska data

	Dometic TEC29	Dometic TEC29LPG
Artikel-nr:	9102900200	9102900179
Nominell utgångsspänning:	230 V~ / 50 Hz	
Max. kontinuerlig effekt (25 °C vid havsytan):	2600 W	
Utgångsspänning, batteriladdare:	12 V===	
Max. utström, batteriladdare:	10 A	
Omgivningstemperatur:	-15 °C till +50 °C	-15 °C till +50 °C (beroende på mängden propan i gasolvätskan)
Klirrfaktor:	1 %	
Bränsle:	Normal bensin ROZ 91	Gasol LPG
Förbrukning:	300 g/kWh max. 1,2 l/h	408 g/kWh max. 1,0 kg/h
Motoreffekt:	4,0 kW (5,5 hk)	
Garanterad ljudnivå:	86 dB (A)	
Ljudnivå på 7 m avstånd:	54–59 dB(A)	
Mått:	se bild 9 , sida 7	
Vikt:	44 kg	
Provning/certifikat:		

Les bruksanvisningen nøye før du tar i bruk apparatet, og ta vare på den. Hvis produktet selges videre, må du sørge for å gi bruksanvisningen videre også.

Innhold

1	Symbolforklaringer	209
2	Sikkerhetsregler	210
3	Målgruppen for denne veiledningen.	212
4	Leveringsomfang	212
5	Tilbehør	213
6	Forskriftsmessig bruk.	213
7	Teknisk beskrivelse	214
8	Betjene generatoren	216
9	Rengjøre generatoren	222
10	Vedlikeholde generatoren	223
11	Utbedre feil.	228
12	Garanti	230
13	Avhending	230
14	Tekniske data.	231

1 Symbolforklaringer

**ADVARSEL!**

Sikkerhetsregel: Hvis man ikke overholder denne regelen, kan det føre til død eller alvorlig skade.

**FORSIKTIG!**

Sikkerhetsregel: Hvis man ikke overholder denne regelen, kan det føre til personskader.

**PASS PÅ!**

Hvis man ikke overholder denne regelen, kan det føre til materielle skader og skade funksjonen til produktet.

**MERK**

Utfyllende informasjon om bruk av produktet.

- ▶ **Handling:** Dette symbolet indikerer at du må gjøre noe. De nødvendige handlingene beskrives trinnvis.
- ✓ Dette symbolet beskriver resultatet av en handling.

Fig. 1 5, side 3: Denne angivelsen henviser til et element i en illustrasjon, i dette eksemplet til «Posisjon 5 i illustrasjon 1 på side 3».

2 Sikkerhetsregler

Produsenten tar i følgende tilfeller intet ansvar for skader:

- Skader på produktet på grunn av mekanisk påvirkning og overspenninger
- Endringer på produktet uten at det er gitt uttrykkelig godkjenning av produsenten
- Bruk til andre formål enn det som er beskrevet i veiledningen

Produsenten tar ikke ansvar for eventuelle følgeskader, særlig ikke for følgeskader som kan oppstå på grunn av at generatoren svikter.

Overhold følgende grunnleggende sikkerhetsregler ved bruk av elektriske apparater for å beskytte mot:

- Elektrisk støt
- Brannfare
- Skader

2.1 Grunnleggende sikkerhet



ADVARSEL!

- **Elektriske apparater er ikke beregnet for barn!**

Barn er ikke i stand til å bedømme farer forbundet med elektriske apparater. La ikke barn bruke elektriske apparater uten tilsyn.

- Personer (inklusive barn) som på grunn av sine fysiske, sensoriske eller mentale ferdigheter eller på grunn av sin uerfarenhet eller manglende kjennskap ikke er i stand til å bruke apparatet, må ikke bruke dette apparatet uten oppsyn eller anvisning fra en ansvarlig person.
- Bruk apparatet kun til det er beregnet for.
- Ikke foreta endringer eller ombygging av apparatet!
- Installasjon, vedlikehold og reparasjon av generatoren må kun utføres av fagfolk som kjenner til farene ved håndtering av generatorer og som er kjent med gjeldende forskrifter. Feil reparasjoner kan føre til betydelige skader. Ved behov for reparasjon kontakter du produsentens filial i ditt land (adresser på baksiden).

- Avgassene inneholder karbonmonoksid, en meget giftig, luktfri og fargeløs gass. Ikke pust inn avgassene! Ikke la generatorens motor gå i en lukket garasje eller i et rom uten vindu.



FORSIKTIG!

- Generatoren må kun brukes med lukket deksel.
- Fjern alle lettantennelige materialer som bensin, lakk, løsemidler osv. i nærheten av generatoren.
- Forsikre deg om at ingen varme deler på generatoren kommer i kontakt med lettantennelige materialer.
- Fyll drivstoff på generatoren kun når den er avslått og på et godt ventilert sted. Bensin og flytende gass er meget lettantennelig og kan eksplodere.
- Ikke fyll generatoren når kjøretøymotoren er på hvis tanken befinner seg i nærheten av generatoren.
- **Kun TEC29:** Hvis du søler bensin, må du tørke det opp og vente til dampen har lagt seg før du slår på motoren.
- **Kun TEC29LPG:** Sammenlign trykkangivelsen på merkeskiltet med trykkangivelsen på flasken med flytende gass.
- **Kun TEC29LPG:** Oppbevar aldri flasker med flytende gass på steder uten lufting eller under bakkenivå (traktformede grøfter).
- **Kun TEC29LPG:** Utsett ikke flasker med flytende gass for direkte sollys. Temperaturen må ikke overskride 50 °C.
- Ikke ta i generatoren og ledningene med fuktige hender.
- Bytt sikringene eller termobryteren kun med slike som har samme tekniske spesifikasjoner.
- Ikke sett generatoren på automatisk drift i nærheten av antenningskilder (f.eks. bensinstasjoner, i tørt landskap hvor det er skogbrannfare).



PASS PÅ!

- **Kun TEC29:** Ikke fyll bensintanken for full. Det må ikke være bensin i halsen på tanken. Kontroller om dekslet er riktig lukket.

2.2 Sikkerhet ved bruk av apparatet



ADVARSEL!

- Ved arbeid på apparatet må man alltid avbryte strømforsyningen.



PASS PÅ!

- Bruk apparatet kun når kapslingen og ledningene er uskadd.

3 Målgruppen for denne veiledningen

Denne bruksanvisningen henvender seg til brukeren av generatoren.

4 Leveringsomfang

TEC29

Betegnelse	Artikkelnummer
Generator TEC29	9102900200
AG 102, omkoblingsrelé for å realisere en prioritetskobling	9102900013
Montasjeveiledning	
Bruksanvisning	

TEC29LPG

Betegnelse	Artikkelnummer
Generator TEC29LPG	9102900179
AG 102, omkoblingsrelé for å realisere en prioritetskobling	9102900013
Montasjeveiledning	
Bruksanvisning	

5 Tilbehør

Tilgjengelig som tilbehør (ikke inkludert i leveransen):

Delebeskrivelse	Artikkelnummer
Kun TEC29: AG 101, tank 15 l, plast	9102900009
Kun TEC29: AG 100, tank 20 l, rustfritt stål	9102900011
Kun TEC29: AG 150, slangesett for AG 100 / AG 101	9102900003
AG 125, fleksibel metallslange for forlengelse av avgassledningen, 5 m	9102900138
AG 128, tetning for TEC29	9102900040

6 Forskriftsmessig bruk

Generatorene TEC29 (art.nr. 9102900200) og TEC29LPG (art.nr. 9102900179) er beregnet for bruk i campingvogner, bobiler og kommersielle kjøretøy.

Generatoren er **ikke** egnet for installasjon i båter.

Generatoren genererer en sinus-vekselspenning på 230 V/50 Hz, som forbrukerne kan kobles til med en samlet permanent belastning på 2600 W. Strømkvaliteten er også egnet for følsomme forbrukere (f.eks. PC-er).

Generatoren kan lade opp et 12 V-batteri.

7 Teknisk beskrivelse

Generatorene TEC29 og TEC29LPG består av følgende hovedelementer (fig. **1**, side 3):

- Forbrenningsmotor (1)
- Vekselstrømsgenerator (2) med permanentmagneter
- Inverter (3)
- Tilkoblingspanel (4)
- Fjernkontroll (5)

Forbrenningsmotoren (1) setter vekselstrømsgeneratoren som er fast tilkoblet til den (2) i rotasjon, og denne genererer en vekselspenning.

Inverteren (3) former denne vekselspenningen til en stabil spenning på 230 V og 50 Hz.

På tilkoblingspanelet (4) finner du tilkoblingsklemmene, kontakten for tilkoblingskabelen på fjernkontrollen (5) og hovedbryteren.

Oversikt over alle enheter:

- TEC29: fig. **10**, side 8.
- TEC29LPG: fig. **11**, side 9

Generatoren har følgende muligheter:

- Integreert batterilader for opplading av det tilkoblede batteriet
- Automatisk drift for automatisk opplading av det tilkoblede batteriet (må være konfigurert tilsvarende ved monteringen).

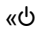
Betjeningselementer på tilkoblingsboksen

Tilkoblingsboksen befinner seg på generatoren bak dekslet.

Pos. i fig. 2 , side 4	Beskrivelse	
1	Hovedbryter	Kobler generatoren driftsklar eller uten funksjoner.
2	Kun TEC29: Vernebryter	Elektromekanisk beskyttelse mot overbelastning.
3	Kun TEC29LPG: Hovedsikring	Utløses ved overbelastning av vekselspennings siden. Smeltesikring må byttes når den har utløst.
4	Kun TEC29LPG: Sikring batterilader	Utløses ved overbelastning av likespenningssiden. Smeltesikring må byttes når den har utløst.

Betjeningselementer på fjernkontrollen

Fjernkontrollen er plassert inne i kjøretøyet.

Pos. i fig. 3 , side 4	Beskrivelse	
1	Display	Indikerer statusmeldinger.
2	Av-/på-bryter «  »	Slår fjernkontrollen av og på når hovedbryteren står på «I» eller «1». Stopper generatoren.
3	Startknapp «START»	Starter generatoren når fjernkontrollen er slått på og hovedbryteren står på «I» eller «1».
4	Kun TEC29: Bensinindikering	Lyser når bensinen står på reserve.
5	Oljeindikering	Lyser når oljenivået i motoren er for lavt.

Displayindikeringer

Pos. i fig. 3, side 4	Beskrivelse	
6	Vekselspenning	Aktuell utgangsspenning
7	Permanent effekt	Aktuell effekt til de tilkoblede forbrukerne
8	Driftstimer	Tiden generatoren er i drift
9	Likespenning	Batterispenning
10	Meldinger	Generatorens statusmelding (se kapittel «Displaymeldinger» på side 218)

8 Betjene generatoren



PASS PÅ!

De 50 første driftstimene (innkjøringsfasen) må ikke generatoren belastes over 70 % av maks. permanent effekt.



MERK

Belast generatoren maksimalt med en belastning på ca. 75 % av maks. permanent effekt etter innkjøringsfasen. Slik kan du øke generatorens levetid og optimalisere effekten til den.

8.1 Grunnleggende betjeningsanvisninger



FORSIKTIG! Fare for personskader!

Ikke stikk fingre eller gjenstander inn i luftdysene eller innsugingsgitteret.

Følg disse rådene:

- Kontroller oljenivået hver gang før bruk (kapittel «Kontrollere oljenivået» på side 220).
- **Kun TEC29LPG:** Kontroller hver gang før bruk ved hjelp av lekkasjespray at gasstilførselen er tett.
- Selv små overbelastninger fører på sikt til at jordfeilbryteren (**TEC29**) eller sikringene (**TEC29LPG**) utløses.

- La generatoren gå i noen minutter etter bruk uten forbruker før du stopper den.
- Kraftig nedbremsing og akselerasjon av kjøretøyet og kjøring i kurver kan fremkalle problemer i generatorens pumpesystem og føre til uønsket utkobling.
- Hvis du ikke bruker generatoren på lang tid, må du starte den minst én gang i måneden og la den gå i minst 15 minutter.

8.2 Koble generatoren driftsklar eller funksjonsløs

Generatoren kobles driftsklar eller funksjonsløs med hovedbryteren (fig. **2** 1, side 4) på koblingsboksen.

8.3 Slå fjernkontrollen på og av

Fjernkontrollen slås av og på med av-/på-bryteren (fig. **3** 2, side 4) på fjernkontrollen.

- Slå på fjernkontrollen med av-/på-bryteren.
- ✓ Displayet viser: *GEN OFF*.
Displayet slår seg av automatisk etter 5 minutter hvis Startknappen ikke betjenes i løpet av denne tiden.
Du kan slå på displayet igjen ved å trykke på Startknappen.
- ✓ Nå kan du starte generatoren.

8.4 Starte generatoren

Generatoren kan kun startes når den er koblet driftsklar og når fjernkontrollen er slått på.



MERK

Når generatoren fortsatt er varm, trykker du bare kort på Startknappen for å starte den, trykk lenger hvis generatoren er kald.

- Start generatoren med Startknappen (fig. **3** 3, side 4).

8.5 Stoppe generatoren

- Stopp generatoren med av-/på-bryteren (fig. **3** 2, side 4).

Hvis generatoren ikke stopper: Slå den av med hovedbryteren (fig. **2** 1, side 4).

8.6 Displaymeldinger

Displaymelding Beskrivelse	Generatorens egenskaper	Tiltak
<i>LOW BATTERY</i> Batterispenningen har sunket under minimumsverdien for å utføre startforsøk (9 V).	Generatoren starter ikke.	Lad batteri.
<i>OIL CHANGE</i> Driftstimetellingen har nådd den foreskrevne verdien for skifte av motorolje.	Generatoren fortsetter å gå.	Skift olje (se kapittel «Skifte olje (fig. 6 , side 6)» på side 225), start deretter generatoren på nytt ved å holde Startknappen inne.
<i>NO FUEL</i> Bensinen i tanken står på Reserve.	Generatoren fortsetter å gå.	Fyll drivstoff.
<i>OIL ALERT</i> Motorolje mangler.	Generatoren stopper.	Etterfyll olje (se kapittel «Kontrollere oljenivået» på side 220).
<i>GENERATOR ALERT!</i> Generell alarmmelding Eksempel: Kontrollringen på gassregulatoren fra forgasseren (trinnmotor) er defekt.	Generatoren stopper.	Kontroller systemet ved hjelp av tabellen Feil, Årsaker og Tiltak. Hvis problemet vedvarer, kontakter du produsentens filial i ditt land (adresser på baksiden).
<i>OVERLOAD!</i> Forbrukerne genererer en overbelastning ved utgangen.	Inverteren slås av, derfor avgis det ingen spenning lenger, men motoren fortsetter å gå til den slukker.	Reduser den tilkoblede lasten og start generatoren på nytt.
<i>SHORT CIRCUIT</i> Forbrukerne genererer en kortslutning ved utgangen.	Inverteren slås av, derfor avgis det ingen spenning lenger, men motoren fortsetter å gå til den slukker.	Kontroller tilstanden til de tilkoblede forbrukerne, start deretter generatoren på nytt.

Displaymelding Beskrivelse	Generatorens egenskaper	Tiltak
<i>OVER TEMPERATURE</i> Overoppheting	Inverteren slås av, derfor avgis det ingen spenning lenger, men motoren fortsetter å gå for å avkjøle generatoren.	La generatoren bli kald, vent et par minutter, start deretter generatoren på nytt.
<i>LOW POWER ENGINE</i> Fall i tilførselsspenningen til inverteren.	Generatoren stopper.	Reduser den tilkoblede lasten og start generatoren på nytt.
<i>RESTART GEN?</i> Melding som vises etter stans av generatoren på grunn av overoppheting.	Generatoren er slått av.	Trykk på Startknappen for starte generatoren på nytt.
<i>GEN CAL</i> Melding som vises når generatoren startes. Den indikerer kalibreringsfasen som skjer før hver start. Generatoren avgir ingen spenning ennå.	Generatoren går rundt, men den genererer ingen spenning.	Vent et øyeblikk.
<i>GEN WAIT</i> Melding som vises i pausen mellom to startforsøk.	Generatoren er slått av.	Vent til meldingen forsvinner, forsøk deretter å starte på nytt.
<i>GEN ON</i> Normal drift av generatoren.	Normal drift	–
<i>GEN OFF</i>	Generatoren befinner seg i standby og kan startes.	–
<i>AUTO?</i> Melding som vises når automatisk drift slås på	Styringen venter på innlegging fra brukeren	Trykk Startknappen i løpet av 20 sekunder og hold den inne i 3 sekunder.
<i>AUTO</i> Automatisk drift	Automatisk drift er slått på	–

8.7 Kontrollere oljenivået

**FORSIKTIG!**

Varm olje kan medføre forbrenninger.
Kontroller oljenivået kun med generatoren avslått.

**MERK**

Generatoren må stå vannrett.

Kontroller oljenivået hver gang før bruk. Gå fram på følgende måte:

- Åpne dekslet på generatoren.
- Koble generatoren funksjonsløs med hovedbryteren (fig. **4** 1, side 5).
- Koble fra forbindelsen til tilførselsbatteriets plusspol.
- Trekk peilepinnen (fig. **4** 2, side 5) ut av påfyllingsstussen (fig. **4** 3, side 5).
- Rengjør peilepinnen (fig. **4** 2, side 5) med en klut.
- Stikk peilepinnen (fig. **4** 2, side 5) helt inn i påfyllingsstussen (fig. **4** 3, side 5).
- Trekk peilepinnen (fig. **4** 2, side 5) ut av påfyllingsstussen.
- Kontroller om oljenivået ligger mellom hakket (maks. fyllenivå) og spissen til peilepinnen (fig. **4** 4, side 5).
Hvis dette ikke er tilfelle, må du etterfylle olje.
- Stikk peilepinnen (fig. **4** 2, side 5) helt inn i påfyllingsstussen (fig. **4** 3, side 5).
- Koble generatoren til tilførselsbatteriets plusspol.
- Koblegeneratoren driftsklar med hovedbryteren (fig. **4** 1, side 5).
- Lukk dekslet på generatoren.

8.8 Slå på automatisk drift

Du kan slå på automatisk drift bare:

- hvis det ble konfigurert ved montering av generatoren
- når kjøretøyet står og tenningen er slått av
- når vinterlager-bryteren (hvis relevant) er slått av

I automatisk drift starter generatoren automatisk når spenningen til det tilkoblede batteriet er for lav, og lader batteriet.

Generatoren slår seg av automatisk når batteriet er fulladet.

Slik slår du automatisk drift på:

- Slå på bryteren for automatisk drift (hvis relevant).
 - Slå av tenningen.
 - Slå på fjernstyringen ved å trykke på av-/på-bryteren.
- ✓ I displayet vises: *AUTO?*



MERK

Hvis displayet viser *GEN OFF* i stedet for *AUTO?*, er ikke automatisk drift konfigurert på din generator. Henvend deg i så fall til fagverkstedet som har foretatt monteringen, og sørg for at automatisk drift blir ettermontert.

- Trykk på Startknappen i løpet av 20 sek., og hold den inne i 3 sekunder.
- ✓ I displayet vises: *AUTO*.
- Automatisk drift er slått på.



MERK

I automatisk drift kan du ikke starte generatoren med Startknappen. Generatoren starter automatisk. Du kan slå generatoren av og på med bryteren for automatisk drift (hvis relevant).

8.9 Slå av automatisk drift

- Slå av bryteren for automatisk drift (hvis relevant).

eller...

- Slå på tenningen.

✓ I displayet vises: *GEN OFF*.

9 Rengjøre generatoren



PASS PÅ! Fare for skade!

- Ikke rengjør generatoren med høytrykksspyler. Vann som trenger inn kan skade generatoren.
- Ikke bruk skarpe eller harde gjenstander eller rengjøringsmidler til rengjøring, da det kan skade generatoren.
- Til rengjøring av generatoren må det kun benyttes vann med et mildt rengjøringsmiddel. Ikke bruk bensin, diesel eller løsemidler.

- Rengjør kapslingen til generatoren av og til med en fuktig klut.
- Fjern regelmessig smuss fra generatorens ventilasjonsåpninger. Pass på at generatorens lameller ikke blir skadet.

10 Vedlikeholde generatoren

10.1 Vedlikeholdstabell



ADVARSEL!

Alt vedlikeholdsarbeid skal kun utføres av fagfolk som kjenner gjeldende forskrifter. Feil utført vedlikeholdsarbeid kan føre til betydelige skader.



MERK

Sørg for at følgende vedlikeholdsarbeid utføres med angitte intervaller eller etter angitte driftstimer, avhengig av hva som inntreffer først.

Intervall	Kontroll/vedlikehold
I første måned eller etter 20 timer	<ul style="list-style-type: none"> ➤ Skift olje. ➤ Sørg for at luftfilteret vedlikeholdes (kapittel «Vedlikeholde luftfilter (fig. 7, side 6)» på side 225).
Hver 3. måned eller etter 50 timer	<ul style="list-style-type: none"> ➤ Sørg for at luftfilteret vedlikeholdes (kapittel «Vedlikeholde luftfilter (fig. 7, side 6)» på side 225).
Hver 6. måned eller etter 100 timer	<ul style="list-style-type: none"> ➤ Skift olje. ➤ Sørg for at tennpluggene vedlikeholdes (kapittel «Vedlikeholde tennplugg» på side 227).
Hvert år eller hver 300. driftstimer	<ul style="list-style-type: none"> ➤ Sørg for at ventilene vedlikeholdes. ➤ Kun TEC29: Sørg for at bensintanken og drivstoffilteret blir vedlikeholdt. ➤ Sørg for at vibrasjonsdemperen vedlikeholdes.
Hvert 2. år	<ul style="list-style-type: none"> ➤ Kun TEC29: Sørg for at bensinslangene vedlikeholdes. ➤ Kun TEC29LPG: Sørg for at gasslangene vedlikeholdes.

10.2 Forberede vedlikeholdsarbeid



FORSIKTIG!

Ved alt vedlikeholdsarbeid må man være oppmerksom på følgende:

- Generatoren må ikke være i drift.
- Alle delene må være avkjølt.

- Koble generatoren funksjonsløs med hovedbryteren (fig. **4** 1, side 5).
- Koble fra forbindelsen til tilførselsbatteriets plusspol.
- Åpne dekslet på generatoren.

For vedlikeholdsarbeid kan generatoren trekkes ut (fig. **5**, side 5):



ADVARSEL!

Festeplaten med generator er svært tung (> 40 kg) og kan falle ut av kapslingen hvis du trekker den for langt ut.

- Løsne festeskruene (**1**).
- Trekk festeplaten (**2**) med generatoren ut av kapslingen (**3**).

10.3 Avslutte vedlikeholdsarbeidet

- Koble generatoren til tilførselsbatteriets plusspol.
- Koble generatoren driftsklar med hovedbryteren (fig. **4** 1, side 5).
- Lukk dekslet på generatoren.

10.4 Skifte olje (fig. 6, side 6)

**FORSIKTIG!**

Varm olje kan medføre forbrenninger.

**PASS PÅ!**

Gammel olje skal leveres til spesialfirmaer for deponering eller gjenvinning, følg lovene i det aktuelle landet for å beskytte miljøet.

Du kan bruke følgende oljer:

- Olje for firtakmotorer i klasse API SG eller SF.
- Olje i klasse SAE 10W-30 (kan brukes ved alle temperaturer).
- Olje med ettområdes viskositet.
Velg egnet viskositet avhengig av gjennomsnittstemperaturen på stedet.

Slik skifter du olje:

- La generatoren gå og bli varm i tre til fem minutter, slik at oljen blir mer flytende og renner raskere og helt ut.
- Sett en egnet beholder under tappeskruen (1).
- Ta av tappeskruen (1).
- ✓ Oljen renner ut.
- Fyll fersk olje i oljestussene.
Oljemengden er: 0,6 l.

10.5 Vedlikeholde luftfilter (fig. 7, side 6)

**ADVARSEL! Eksplosjonsfare!**

Ikke bruk dieselolje eller løsemidler med lavt fordampingspunkt til å rengjøre luftfilteret. Disse kan antenne og eksplodere.

**PASS PÅ!**

La aldri motoren gå uten luftfilter. Hvis man ikke passer på dette, blir motoren raskt utslitt.

**MERK**

Når luftfilteret er skittent, blir luftstrømmen til forgasseren redusert. For at forgasseren skal fungere tilfredsstillende, må man kontrollere filteret regelmessig. Kontroller det oftere hvis generatoren brukes i svært støvete omgivelser.

- Forbered vedlikeholdsarbeidet og trekk generatoren et stykke ut av kapslingen: se kapittel «Forberede vedlikeholdsarbeid» på side 224.
- Fjern vingemutrene (1) og filterdekslet (2).
- Fjern vingemutteren (3).
- Ta ut luftfilteret (4).
Luftfilteret består av to elementer: et svampfilter og et papirfilter.
- Kontroller begge filterelementene nøye. Skift de skadede filterelementene.
- Rengjør de skadede filterelementene: se følgende avsnitt.
- Avslutt vedlikeholdsarbeidet: se kapittel «Avslutte vedlikeholdsarbeidet» på side 224.

Rengjøre svampfilteret

- Vask svampen med en nøytral vaskemiddelløsning og skyll den ren.
- La svampen tørke helt.
- Fukt svampen med ren motorolje.
- Press ut overskytende olje.

Rengjøre papirfilter

- Fjern smuss fra papiret ved å slå gjentatte ganger på en hard flate eller blås ut filteret innenfra og ut med pressluft.
Ikke børst av papiret for da vil smuss trenge inn i fibre til papirfilteret.
- Bytt papirfilteret når det er svært skittent.

10.6 Vedlikeholde tennplugg



PASS PÅ!

- Skru fast tennpluggene. Tennplugg som ikke er skrudd fast, kan bli svært varme og forårsake skader på motoren.
- Bruk kun likeverdige tennplugg.
- Når du setter inn en ny tennplugg, skrur du den fast en 1/2 omdreining til den sitter fast på mellomleggsskiven. Hvis man bruker brukte tennplugg, er det tilstrekkelig med en 1/8 eller 1/4 omdreining.

- Forberede vedlikeholdsarbeid: se kapittel «Forberede vedlikeholdsarbeid» på side 224.
- Ta av tennpluggkontakten.
- Ta ut tennpluggene med en tennpluggnøkkel.
- Kontroller tennpluggene visuelt.
Hvis tennpluggene er tydelig slitt eller isolatoren er skadet eller brukket, skifter du tennpluggene.
Hvis tennpluggene bare er skitne, rengjør du dem med en stålbørste.
- Mål avstanden mellom elektrodene med en bladføler (fig. **8**, side 7). Den må være mellom 0,7 – 0,8 mm og kan evt. korrigeres ved å bøye elektroden.
- Kontroller om tennpluggtettingen er intakt.

- Hvis ja, skrur du på tennpluggene for hånd for å unngå å skade gjengen.
- Trekk til tennpluggene med en tennpluggnøkkel slik at underlagsskiven blir sammentrykket.
- Avslutt vedlikeholdsarbeidet: se kapittel «Avslutte vedlikeholdsarbeidet» på side 224.

11 Utbedre feil

Feil	Årsak	Tiltak
Fjernkontrollen slår seg ikke på når man trykker på av-/på-bryteren.	Starterbatteriet er tomt.	➤ Lad opp starterbatteriet.
	Strømkabelen er brutt eller støpslet er trukket av.	➤ Ta kontakt med et autorisert verksted.
	Jordkabelen til generatoren er brutt eller sikringen (hvis relevant) har utløst.	
Starteren går ikke rundt når man trykker på Startknappen.	Starterbatteriet er tomt.	➤ Lad opp starterbatteriet.
	Hovedbryteren står på «0».	➤ Sett hovedbryteren på «I» hhv. «1».
	Starteres aksling er skitten.	➤ Rengjør starterens aksling.
	For mye olje i motoren.	➤ Tapp av olje.
	Inverteren er skadet.	➤ Ta kontakt med et autorisert verksted.
	Strømkabelen er brutt eller støpslet er trukket av.	
	Jordkabelen til generatoren er brutt eller sikringen (hvis relevant) har utløst.	
Starteren forsynes ikke med strøm		

Feil	Årsak	Tiltak
Starteren går rundt, men generatoren starter ikke.	Ikke bensin/LPG.	➤ Fyll bensin/LPG.
	Tennpluggene får ikke strøm.	➤ Kontroller de elektriske forbindelsene.
	Forgasseren får ikke bensin.	➤ Rengjør forgasseren.
	Luftinnsugingen er blokkert.	➤ Kontroller luftfilteret (se kapittel «Vedlikeholde luftfilter (fig. 7, side 6)» på side 225).
	Omgivelsestemperaturen er på under 0 °C.	➤ Bruk ren propangass.
	Inverteren er skadet.	➤ Ta kontakt med et autorisert verksted.
	Strømkabelen er brutt eller støpslet er trukket av.	
Generatoren har en tendens til å stoppe.	For mye olje i motoren.	➤ Tapp av olje.
	Last over 2,6 kW.	➤ Slå av forbrukeren.
	Forgasseren får ikke bensin.	➤ Rengjør forgasseren.
	Luftinnsugingen er blokkert.	➤ Kontroller luftfilteret (se kapittel «Vedlikeholde luftfilter (fig. 7, side 6)» på side 225).
	Inverteren er skadet.	➤ Ta kontakt med et autorisert verksted.
	Elektromagnet blokkert.	
Generatoren har startet, men den genererer ingen spenning.	Luftfilter skittent.	
	Inverteren er skadet.	➤ Ta kontakt med et autorisert verksted.
	Trinnmotor defekt eller kabel brukket.	
	Elektromagnet blokkert.	
Generatoren starter med kraftig akselerasjon og blir stående med meldingen «GENERATOR ALERT».	Gassregulatoren er blokkert.	
	Inverteren er skadet.	➤ Ta kontakt med et autorisert verksted.
	Trinnmotor defekt eller kabel brukket.	
Den genererte spenningen er ustabil.	Inverteren er skadet.	➤ Ta kontakt med et autorisert verksted.
	Trinnmotor defekt eller kabel brukket.	

12 Garanti

Lovmessig garantitid gjelder. Hvis produktet skulle være defekt, sender du det til en servicepartner i ditt land (du finner adressene på baksiden av veiledningen).

Våre spesialister hjelper deg gjerne, og avtaler garantiens videre forløp med deg.

13 Avhending

- Lever emballasje til resirkulering så langt det er mulig.



Når du tar produktet ut av drift for siste gang, må du sørge for å få informasjon om deponeringsforskrifter hos nærmeste resirkuleringsstasjon eller hos din faghandler.




Bevar miljøet!

Batterier hører ikke hjemme i husholdningsavfallet.

Lever defekte eller brukte batterier enten til forhandleren eller på en oppsamlingsstasjon.

14 Tekniske data

	Dometic TEC29	Dometic TEC29LPG
Art.nr.:	9102900200	9102900179
Nominell utgangsspenning:	230 V~ / 50 Hz	
Maks. permanent effekt (ved 25 °C ved havnivå):	2600 W	
Utgangsspenning batterilader:	12 V===	
Maks. utgangsstrøm batterilader:	10 A	
Driftstemperaturområde:	-15 °C til +50 °C	-15 °C til +50 °C (avhengig av andelen propan i LPG-en)
Klirrfaktor:	1 %	
Drivstoff:	Normalbensin ROZ 91	Flytende gass LPG
Forbruk:	300 g/kWh maks. 1,2 l/h	408 g/kWh maks. 1,0 kg/h
Motoreffekt:	4,0 kW (5,5 PS)	
Garantert lydtryknivå:	86 dB(A)	
Lydtryknivå på 7 m avstand:	54 – 59 dB(A)	
Mål:	se fig. 9, side 7	
Vekt:	44 kg	
Test/sertifikat:		

Lue tämä ohje huolellisesti läpi ennen käyttöönottoa ja säilytä ohje hyvin. Jos myyt tuotteen eteenpäin, anna ohje tällöin edelleen uudelle käyttäjälle.

Sisällysluettelo

1	Symbolien selitys	233
2	Turvallisuusohjeet	234
3	Tämän käyttöohjeen kohderyhmä	236
4	Toimituskokonaisuus	236
5	Lisävarusteet	237
6	Tarkoituksenmukainen käyttö	237
7	Tekninen kuvaus	237
8	Generaattorin käyttö	240
9	Generaattorin puhdistaminen	246
10	Generaattorin huoltaminen	247
11	Häiriöiden poistaminen	252
12	Tuotevastuu	254
13	Hävittäminen	254
14	Tekniset tiedot	255

1 Symbolien selitys

**VAROITUS!**

Turvallisuusohje: Huomiotta jättäminen voi aiheuttaa hengenvaaran tai vakavan loukkaantumisen.

**HUOMIO!**

Turvallisuusohje: Huomiotta jättäminen voi johtaa loukkaantumiseen.

**HUOMAUTUS!**

Huomiotta jättäminen voi johtaa materiaalivaurioihin ja haitata tuotteen toimintaa.

**OHJE**

Tuotteen käyttöä koskevia lisätietoja.

- ▶ **Menettely:** Tämä symboli ilmaisee, että sinun tulee tehdä jotakin. Tarvittava menettely kuvataan askel askeleelta.
- ✓ Tämä symboli kuvailee menettelyn tuloksen.

Kuva 1 5, sivulla 3: Tämä tieto viittaa kuvassa olevaan elementtiin, tässä esimerkissä ”kohteeseen 5 kuvassa 1, sivulla 3”.

2 Turvallisuusohjeet

Valmistaja ei ota mitään vastuuta vahingoista seuraavissa tapauksissa:

- tuotteeseen mekaanisen vaikutuksen tai ylijännitteiden takia syntyneet vauriot
- tuotteeseen ilman valmistajan nimenomaista lupaa tehdyt muutokset
- käyttö muuhun kuin käyttöohjeessa ilmoitettuun tarkoitukseen

Se ei vastaa erityisesti minkäänlaisista seurannaisvahingoista, erityisesti seurannaisvahingoista, jotka voivat syntyä generaattorin toimimattomuuden takia.

Noudata seuraavia perustavia turvatoimenpiteitä käyttäessäsi sähköllä toimivia laitteita. Tämä suojelee sinua:

- sähköiskulta
- palovaaralta
- loukkaantumiselta

2.1 Perusturvallisuus



VAROITUS!

- **Sähkölaitteet eivät ole lasten leluja!**

Lapset eivät osaa arvioida sähkölaitteista aiheutuvia vaaroja oikein. Älä anna lasten käyttää sähkölaitteita ilman valvontaa.

- Henkilöiden (mukaan lukien lapset), jotka eivät voi käyttää laitetta turvallisesti fyysisten, sensoristen tai psyykkisten taitojensa vuoksi tai kokemattomuuden tai tietämättömyyden vuoksi, ei tulisi käyttää laitetta ilman valvontaa tai vastuullisen henkilön ohjeita.
- Käytä laitetta ainoastaan sen määräysten mukaiseen tarkoitukseen.
- Älä tee laitteeseen mitään muutoksia!
- Generaattorin saavat asentaa ja sitä saavat huoltaa ja korjata vain ammattimiehet, jotka tuntevat generaattorien käsittelyyn liittyvät vaarat sekä vastaavat määräykset. Epäasianmukaisista korjauksista saattaa aiheutua huomattavia vaaroja. Käännä valmistajan omassa maassasi sijaitsevan toimipisteen puoleen, jos laite tarvitsee korjausta (osoitteet takasivulla).

- Pakokaasut sisältävät hiilimonoksidia, joka erittäin myrkyllinen, hajuton ja väritön kaasu. Älä hengitä pakokaasuja. Älä anna generaattorin moottorin käydä suljetussa autotallissa tai ikkunattomassa tilassa.



HUOMIO!

- Generaattoria saa käyttää vain, kun luukku on suljettuna.
- Poista generaattorin läheltä kaikki helposti palavat materiaalit kuten bensiini, maalit, liuotinaaineet jne.
- Varmista, että generaattorin mitkään kuumenevat osat eivät joudu kosketuksiin helposti palavien materiaalien kanssa.
- Tankkaa generaattori vain, kun se on pois päältä ja tila on hyvin tuuletettu. Bensiini ja nestekaasu syttyvät erittäin herkästi ja voivat räjähtää.
- Älä tankkaa generaattoria, kun ajoneuvon moottori on käynnissä, jos säiliö sijaitsee generaattorin lähellä.
- **Vain TEC29:** Jos bensiiniä roiskuu, pyyhi se hyvin pois ja odota, että höyryt ovat haihtuneet ennen kuin kytket moottorin päälle.
- **Vain TEC29LPG:** Vertaa typpikilven painetietoja nestekaasupullon painetietoihin.
- **Vain TEC29LPG:** Nestekaasupulloja **ei saa koskaan** säilyttää tuulettamattomissa paikoissa tai maan pinnan alapuolella (suppilomaiset kuopat).
- **Vain TEC29LPG:** Suojaa nestekaasupullot suoralta auringonpaisteelta. Lämpötila ei saa ylittää 50 °C:ta.
- Älä kosketa generaattoria tai johtimia kosteilla käsillä.
- Vaihda sulakkeet tai lämpökytkimet vain sellaisiin, joiden tekniset tiedot ovat samanlaiset kuin alkuperäisissä.
- Älä kytke generaattoria automaattikäytölle, kun lähellä on syttymislähteitä (esim. huoltoasemilla, kuivassa maastossa metsäpalovaroituksen aikana).



HUOMAUTUS!

- **Vain TEC29:** Älä täytä bensiinisäiliötä liian täyteen. Säiliön kaulassa ei saa olla bensiiniä. Tarkasta, onko korkki suljettu kunnolla.

2.2 Laitteen käyttöturvallisuus



VAROITUS!

- Katkaise virransyöttö aina laitetta koskevien töiden ajaksi.



HUOMAUTUS!

- Käytä laitetta vain, kun laitteen kotelossa ja johtimissa ei ole vaurioita.

3 Tämän käyttöohjeen kohderyhmä

Tämä käyttöohje on tarkoitettu generaattorin käyttäjälle.

4 Toimituskokonaisuus

TEC29

Nimitys	Tuotenumero
Generaattori TEC29	9102900200
AG 102, vaihtorele ensijaiskytkennän toteuttamista varten	9102900013
Asennusohje	
Käyttöohje	

TEC29LPG

Nimitys	Tuotenumero
Generaattori TEC29LPG	9102900179
AG 102, vaihtorele ensijaiskytkennän toteuttamista varten	9102900013
Asennusohje	
Käyttöohje	

5 Lisävarusteet

Saatavissa lisävarusteena (ei sisälly toimituskokonaisuuteen):

Osan nimitys	Tuotenumero
Vain TEC29: AG 101, säiliö 15 l, muovia	9102900009
Vain TEC29: AG 100, säiliö 20 l, ruostumatonta terästä	9102900011
Vain TEC29: AG 150, letkusarja malleihin AG 100 / AG 101	9102900003
AG 125, joustava metalliletku pakokaasujohtimen pidennykseen, 5 m	9102900138
AG 128, tiiviste malliin TEC29	9102900040

6 Tarkoituksenmukainen käyttö

Generaattorit TEC29 (tuotenro 9102900200) ja TEC29LPG (tuotenro 9102900179) on suunniteltu käytettäväksi asuntovaunuissa, matkailuautoissa ja kaupallisessa käytössä olevissa ajoneuvoissa.

Generaattori **ei** sovi asennettavaksi vesikulkuneuvoihin.

Generaattori synnyttää puhdasta sinimuotoista 230 V/50 Hz -vaihtojännitettä, johon voidaan liittää sähkölaitteita, joiden jatkuva kokonaiskuorma on 2600 W. Laadultaan virta sopii myös herkille sähkölaitteille (esim. PC-tietokoneet).

Generaattori kykenee lataamaan 12 V -akun.

7 Tekninen kuvaus

Generaattorit TEC29 ja TEC29LPG muodostuvat seuraavista pääosista (kuva **1**, sivulla 3):

- Polttomoottori (1)
- Kestomagneetillinen vaihtovirtageneraattori (2)
- Invertteri (3)
- Liitäntäpaneeli (4)
- Kaukosäädin (5)

Polttomoottori (1) laittaa siihen kiinteästi liitetyn vaihtovirtageneraattorin (2) pyörimään ja tämä synnyttää vaihtojännitteen.

Invertteri (3) muuntaa tämän vaihtojännitteen vakaaksi 230 V / 50 Hz -jännitteeksi.

Liitäntäpaneeliin (4) on sijoitettu liittimet, kaukosäätimessä (5) oleva liitäntäjohdon liitin ja pääkytkin.

Yleiskatsaus kaikkiin rakenneosiin:

- TEC29: kuva **10**, sivulla 8.
- TEC29LPG: kuva **11**, sivulla 9

Generaattori tarjoaa seuraavat mahdollisuudet:

- Integroitu akkulaturi liitetyn akun lataamista varten
- Automaattikäyttö liitetyn akun automaattista lataamista varten (täytyy konfiguroida vastaavasti asennuksen yhteydessä).

Liitäntärasian käyttölaitteet

Liitäntärasia on generaattorissa kotelon takana.

Kohta – kuva 2 , sivulla 4	Kuvaus	
1	Pääkytkin	Kytkee generaattorin käyttövalmiuteen tai pois käytöstä.
2	Vain TEC29: Suojakytkin	Sähkömekaaninen ylikuormitussuoja.
3	Vain TEC29LPG: Pääsulake	Palaa vaihtojännitepuolen ylikuormituksessa. Sulake täytyy vaihtaa, jos se on palanut.
4	Vain TEC29LPG: Akkulaturin sulake	Palaa tasajännitepuolen ylikuormituksessa. Sulake täytyy vaihtaa, jos se on palanut.

Käyttöelementit kaukosäätimessä

Kaukosäädin on kiinnitetty ajoneuvon sisään.

Kohta – kuva 3 , sivulla 4	Kuvaus	
1	Näyttö	Näyttää tilailmoituksia.
2	Päälle-/pois-kytkin "ϕ"	Kytkee kaukosäätimen päälle ja pois, kun pääkytkin on asennossa "I" tai "1". Pysäyttää generaattorin.
3	Käynnistyspainike "START"	Käynnistää generaattorin, kun kaukosäädin on kytkettynä päälle ja pääkytkin on asennossa "I" tai "1".
4	Vain TEC29: Bensiininäyttö	Palaa, kun bensiini on vähissä.
5	Öljynäyttö	Palaa, kun moottorin öljymäärä on liian vähäinen.

Näytöt

Kohta – kuva 3 , sivulla 4	Kuvaus	
6	Vaihtojännite.	Nykyinen lähtöjännite
7	Jatkuva teho	Liitettyjen sähkölaitteiden nykyinen teho
8	Käyttötunnit	Aika, jonka generaattori on toiminnassa
9	Tasajännite	Akkujännite
10	Ilmoitukset	Generaattorin tilailmoitus (katsokap. "Näyttöilmoitukset" sivulla 242)

8 Generaattorin käyttö



HUOMAUTUS!

Älä kuormita generaattoria ensimmäisten 50 käyttötunnin (sisäänajovaihe) aikana enempää kuin 70 % maksimaalisesta jatkuvasta tehosta.



OHJE

Kuormita generaattoria sisäänajovaiheen jälkeen enintään kuormalla, joka on n. 75 % maksimaalisesta jatkuvasta tehosta. Näin voit pidentää generaattorin käyttöikää ja maksimoida sen suorituskyvyn.

8.1 Perustavanlaatuisia ohjeita käyttöön



HUOMIO! Loukkaantumisvaara!

Älä työnnä sormia tai esineitä ilmasuuttimiin tai imuritulään.

Noudata seuraavia perustavanlaatuisia ohjeita:

- Tarkasta öljymäärä ennen jokaista käyttöä (kap. ”Öljymäärän tarkastaminen” sivulla 244).
- **Vain TEC29LPG:** Tarkasta kaasunsyötön tiiviys ennen jokaista käyttöä vuodonetsintäsuihkeen avulla.
- Vähäisetkin ylikuormitukset johtavat jatkuessaan suojakytkimen (**TEC29**) tai sulakkeiden (**TEC29LPG**) laukeamiseen.
- Anna generaattorin käydä käytön jälkeen ennen pysäyttämistä muutamia minutteja ilman, että sähkölaitteet ovat päällä.
- Ajoneuvon tiukat jarrutukset, kovat kiihdytykset ja ajo mutkissa voivat aiheuttaa generaattorin pumppujärjestelmään ongelmia ja johtaa sen kytketymiseen tahattomasti pois päältä.
- Jos et käytä generaattoria pidempään aikaan, käynnistä se vähintään 30 päivän välein ja anna sen käydä vähintään 15 minuuttia.

8.2 Generaattorin kytkeminen käyttövalmiuteen tai pois käytöstä

Generaattori kytketään käyttövalmiuteen tai pois käytöstä pääkytkimellä (kuva **2** 1, sivulla 4), joka on liitántärasiasa.

8.3 Kaukosäätimen kytkeminen päälle ja pois

Kaukosäädin kytketään päälle ja pois päältä päälle-/pois-kytkimellä (kuva **3** 2, sivulla 4), joka sijaitsee kaukosäätimessä.

- Kytke kaukosäädin päälle päälle-/pois-kytkimellä.
- ✓ Näytössä näkyy: *GEN OFF*.
Näyttö sammuu 5 minuutin kuluttua automaattisesti, jos käynnistyspainiketta ei ole painettu tänä aikana.
Voit kytkeä näytön takaisin päälle painamalla käynnistyspainiketta.
- ✓ Generaattori voidaan nyt käynnistää.

8.4 Generaattorin käynnistäminen

Generaattorin voi käynnistää vain, kun se on kytkettynä käyttövalmiuteen ja kun kaukosäädin on kytkettynä päälle.



OHJE

Jos generaattori on vielä lämmin, käynnistä se painamalla käynnistyspainiketta vain lyhyesti, kylmän generaattorin tapauksessa pidempään.

- Käynnistä generaattori käynnistyspainikkeella (kuva **3** 3, sivulla 4).

8.5 Generaattorin pysäyttäminen

- Pysäytä generaattori päälle-/pois-kytkimellä (kuva **3** 2, sivulla 4).
Jos generaattori ei pysähdy: kytke se pois päätä pääkytkimellä (kuva **2** 1, sivulla 4).

8.6 Näyttöilmoitukset

Näyttöilmoitus Kuvaus	Generaattorin käyttäytymisen	Toimenpiteet
LOW BATTERY Akkujännite on laskenut alle vähimmäisarvon, jota käynnistysyrityksen suorittaminen edellyttää (9 V).	Generaattori ei käynnisty.	Lataa akku.
OIL CHANGE Käyttötuntien laskenta on saavuttanut öljynvaihdon ennalta asetetun arvon.	Generaattori käy edelleen.	Vaihda öljy (katso kap. "Öljynvaihto (kuva 6, sivulla 6)" sivulla 249), käynnistä generaattorin sitten uudelleen painamalla käynnistyspainiketta jatkuvasti.
NO FUEL Säiliön bensiini on vähissä.	Generaattori käy edelleen.	Tankkaa.
OIL ALERT Moottorissa ei öljyä.	Generaattori pysähtyy.	Lisää öljyä (katso kap. "Öljymäärän tarkastaminen" sivulla 244).
GENERATOR ALERT! Yleinen hälytysilmoitus Esimerkki: Kaasuttimen kuristintiläpän ohjausrenkas on rikki (askelmoottori).	Generaattori pysähtyy.	Tarkasta järjestelmä käyttämällä apuna taulukkoa "Häiriöt, syyt ja aputoimenpiteet". Käännä valmistajan omassa maassasi sijaitsevan toimipisteeseen puoleen, jos ongelma ei häviä (osoitteet takasivulla).
OVERLOAD! Sähkölaitteet synnyttävät ylikuorman lähtöpuolelle.	Invertteri kytkeytyy pois päältä, jolloin jännitettä ei enää anneta, mutta moottori käy edelleen kunnes samuu.	Pienennä liitettyä kuormaa ja käynnistä generaattori uudelleen.
SHORT CIRCUIT Sähkölaitteet synnyttävät oikosulun lähtöpuolelle.	Invertteri kytkeytyy pois päältä, jolloin jännitettä ei enää anneta, mutta moottori käy edelleen kunnes samuu.	Tarkasta liitettyjen sähkölaitteiden kunto, käynnistä generaattori sitten uudelleen.
OVER TEMPERATURE Ylikuumeneminen	Invertteri kytkeytyy pois päältä, jolloin jännitettä ei enää anneta, mutta moottori käy edelleen generaattorin jäähdyttämiseksi.	Anna generaattorin jäähtyä, odota pari minuuttia, käynnistä generaattori sitten uudelleen.

Näyttöilmoitus Kuvaus	Generaattorin käyttäytymisen	Toimenpiteet
<i>LOW POWER ENGINE</i> Invertterin syöttöjänniteen katko.	Generaattori pysähtyy.	Pienennä liitettyä kuormaa ja käynnistä generaattori uudelleen.
<i>RESTART GENP</i> Ilmoitus, joka ilmestyy sen jälkeen, kun generaattori on pysähtynyt ylikuumentumisen takia.	Generaattori on kytketty pois päältä.	Käynnistä generaattori uudelleen painamalla käynnistyspainiketta.
<i>GEN CAL</i> Ilmoitus, joka ilmestyy generaattorin käynnistyksen yhteydessä; se osoittaa kalibroituvaiheen, joka edeltää jokaista käynnistystä. Generaattori ei vielä anna jännitettä	Generaattori pyörii, mutta ei luo jännitettä.	Odota hetkinen.
<i>GEN WAIT</i> Ilmoitus, joka ilmestyy kahden käynnistysyrityksen välisen tauon aikana.	Generaattori on kytketty pois päältä.	Odota, että ilmoitus häviää, yritä sitten uutta käynnistystä.
<i>GEN ON</i> Generaattori toimii normaalisti.	Normaalikäyttö	–
<i>GEN OFF</i>	Generaattori on valmiustilassa, ja se voidaan käynnistää.	–
<i>AUTOP</i> Ilmoitus, joka ilmestyy, kun automaattikäyttö kytketään päälle	Ohjaus odottaa käyttäjän syöttöä	Paina käynnistyspainiketta 20 sekunnin sisällä ja pidä se painettuna 3 sekunnin ajan.
<i>AUTO</i> Automaattikäyttö	Automaattikäyttö on kytketty päälle.	–

8.7 Öljymäärän tarkastaminen



HUOMIO!

Kuuma öljy voi aiheuttaa palovammoja.
Tarkasta öljyn määrä vain, kun generaattori on pois päältä.



OHJE

Generaattorin täytyy olla vaakasuorassa.

Tarkasta öljymäärä ennen jokaista käyttöä. Toimi tätä varten seuraavasti:

- Avaa generaattorin luukku.
- Kytke generaattori pääkytkimellä (kuva **4** 1, sivulla 5) pois käytöstä.
- Irrota liitos syöttöakun plusnavasta.
- Vedä mittatikku (kuva **4** 2, sivulla 5) ulos täyttöistukasta (kuva **4** 3, sivulla 5).
- Puhdista mittatikku (kuva **4** 2, sivulla 5) rätillä.
- Työnnä mittatikku (kuva **4** 2, sivulla 5) kokonaan täyttöistukkaan (kuva **4** 3, sivulla 5).
- Vedä mittatikku (kuva **4** 2, sivulla 5) ulos täyttöistukasta
- Tarkasta, onko öljyn pinta loven (maksimimäärä) ja mittatikun kärjen välissä (kuva **4** 4, sivulla 5).
Jos ei, lisää öljyä.
- Työnnä mittatikku (kuva **4** 2, sivulla 5) kokonaan täyttöistukkaan (kuva **4** 3, sivulla 5).
- Liitä generaattori syöttöakun plusnapaan.
- Kytke generaattori pääkytkimellä (kuva **4** 1, sivulla 5) käyttövalmiuteen.
- Sulje generaattorin luukku.

8.8 Automaattikäytön kytkeminen päälle

Voit kytkeä automaattikäytön päälle vain:

- kun se on konfiguroitu generaattorin asennuksen yhteydessä
- kun ajoneuvo seisoo ja sytytys on kytkettynä pois päältä
- kun automaattikäyttökytkin (jos on) on kytketty päälle

Automaattikäytössä generaattori käynnistyy automaattisesti, kun liitetyn akun jännite on liian matala. Se lataa akun.

Generaattori kytkeytyy automaattisesti pois päältä, kun akku on ladattu täyteen.

Näin kytket automaattikäytön päälle:

- Kytke automaattikäyttökytkin (jos on) päälle.
- Katkaise virta.
- Kytke kauko-ohjaus päälle painamalla päälle-/pois-kytkin päälle.
- ✓ Näytöllä näkyy: *AUTO?*



OHJE

Jos näytöllä näkyy *GEN OFF* eikä *AUTO?*, generaattoriasi ei ole konfiguroitu automaattikäyttöä varten. Käännä tässä tapauksessa ammattikorjaamon puoleen, joka asensi laitteen, ja asennuta automaattikäyttö jälkikäteen.

- Paina käynnistyspainiketta 20 sekunnin sisällä ja pidä se 3 sekunnin ajan painettuna.
- ✓ Näytöllä näkyy: *AUTO*.
- Automaattikäyttö on kytketty päälle.



OHJE

Automaattikäytössä et voi kytkeä generaattoria päälle käynnistyspainikkeella. Generaattori käynnistyy automaattisesti. Voit kytkeä generaattorin automaattikäyttökytkimellä (jos on) pois ja päälle.

8.9 Automaattikäytön kytkeminen pois päältä

- Kytke automaattikäyttökytkin (jos on) pois päältä.

tai...

- Kytke sytytys päälle.
- ✓ Näytöllä näkyy: *GEN OFF*.

9 Generaattorin puhdistaminen



HUOMAUTUS! Vaurioitumisvaara!

- Älä puhdista generaattoria korkeapainepesurilla. Sisään tunkeutuva vesi voi vahingoittaa generaattoria.
- Älä käytä puhdistukseen teräviä tai kovia välineitä eikä puhdistusaineita, koska tämä voi johtaa generaattorin vahingoittumiseen.
- Käytä generaattorin puhdistamiseen ainoastaan vettä ja mieto puhdistusainetta. Älä käytä missään tapauksessa bensiniä, dieseliä tai liuottimia

- Puhdista generaattorin kotelo toisinaan kostealla rievulla.
- Poista likaantumet generaattorin tuuletusaukoista säännöllisesti. Huolehdi siitä, että generaattorin lamelleja ei tällöin vahingoiteta.

10 Generaattorin huoltaminen

10.1 Huoltotaulukko



VAROITUS!

Jätä kaikki huoltotyöt ammattilaisille, jotka tuntevat asiaankuuluvat määräykset. Epäasianmukaisista huoltotoista saattaa aiheutua huomattavia vaaroja.



OHJE

Suorituta seuraavat huoltotyöt ilmoitetuin välein tai kun ilmoitettu käyttötuntimäärä on saavutettu sen mukaan, kumpi saavutetaan ensin.

Väli	Tarkastus/huolto
Ensimmäisenä kuukautena tai 20 tunnin jälkeen	<ul style="list-style-type: none"> ➤ Vaihddata öljy. ➤ Huollata ilmansuodatin (kap. "Ilmansuodattimen huoltaminen (kuva 7, sivulla 6)" sivulla 249).
Kolmen kuukauden välein tai 50 tunnin jälkeen	<ul style="list-style-type: none"> ➤ Huollata ilmansuodatin (kap. "Ilmansuodattimen huoltaminen (kuva 7, sivulla 6)" sivulla 249).
Kuuden kuukauden välein tai 100 tunnin jälkeen	<ul style="list-style-type: none"> ➤ Vaihddata öljy. ➤ Huollata sytytystulppa (kap. "Sytytystulpan huoltaminen" sivulla 251).
Vuosittain tai 300 tunnin välein	<ul style="list-style-type: none"> ➤ Huollata venttiilit ➤ Vain TEC29: Huollata bensiinisäiliö ja polttoainesuodatin. ➤ Huollata tärinänvaimennin.
Kahden vuoden välein	<ul style="list-style-type: none"> ➤ Vain TEC29: Huollata bensiinijohtimet. ➤ Vain TEC29LPG: Huollata kaasujohtimet.

10.2 Huoltotöiden valmisteleminen



HUOMIO!

Noudata seuraavaa kaikissa huoltotöissä:

- Generaattori ei saa olla toiminnassa.
- Kaikkien osien täytyy olla jäähtynyt.

- Kytke generaattori pääkytkimellä (kuva **4** 1, sivulla 5) pois käytöstä.
- Irrota liitos syöttöakun plusnavasta.
- Avaa generaattorin luukku.

Voit vetää generaattorin ulos huoltotöitä varten (kuva **5**, sivulla 5):



VAROITUS!

Generaattorin peruslevy on hyvin painava (> 40 kg). Se voi pudota kotelosta, jos vedät sen liian pitkälle.

- Avaa kiinnitysruuvit (1).
- Vedä peruslevy (2) sekä generaattori ulos kotelosta (3).

10.3 Huoltotöiden päättäminen

- Liitä generaattori syöttöakun plusnapaan.
- Kytke generaattori pääkytkimellä (kuva **4** 1, sivulla 5) käyttövalmiuteen.
- Sulje generaattorin luukku.

10.4 Öljynvaihto (kuva 6, sivulla 6)

**HUOMIO!**

Kuuma öljy voi aiheuttaa palovammoja.

**HUOMAUTUS!**

Toimita käytetty öljy ehdottomasti erikoisyriyten hävitettäväksi tai käsiteltäväksi. Noudata kyseisen maan lakeja, jotka koskevat ympäristönsuojelua.

Voit käyttää seuraavia öljyjä:

- Nelitahtomoottoriöljy, luokka API SG tai SF.
- Luokan SAE 10W-30 öljy (käyttö mahdollista kaikissa lämpötiloissa).
- Yksiasteviskositeetin omaava öljy
Valitse sopiva viskositeetti paikan keskilämpötilasta riippuen.

Näin vaihdat öljyn:

- Anna generaattorin käydä lämpimäksi kolmesta viiteen minuuttia, jotta öljy muuttuu juoksevammaksi ja valuu pois nopeammin ja täydellisemmin.
- Aseta sopiva astia päästöruuvien (1) alle.
- Ota päästöruuvi (1) pois.
- ✓ Öljy valuu pois.
- Lisää uusi öljy öljytankin kautta.
Öljymäärä on: 0,6 l.

10.5 Ilmansuodattimen huoltaminen (kuva 7, sivulla 6)

**VAROITUS! Räjähdyshaara!**

Älä käytä ilmansuodattimen puhdistukseen dieselöljyä tai liuotainetta, jonka haihtumispiste on matala. Nämä voivat syttyä tai räjähtää.

**HUOMAUTUS!**

Älä anna moottorin koskaan käydä ilman ilmansuodatinta. Muuten moottori kuluu nopeasti.

**OHJE**

Jos ilmansuodatin on likaantunut, ilman virtaus kaasuttimeen heikkenee. Jotta kaasutin toimisi hyvin, suodattimen kunto tulisi tarkastaa säännöllisesti. Tarkasta se vastaavasti useammin, jos generaattoria käytetään erityisen pölyisessä ympäristössä.

- Valmistele huoltotyöt ja vedä generaattoria hieman ulos kotelosta: katso kap. "Huoltotöiden valmisteleminen" sivulla 248.
- Ota siipimutteri (1) ja suodatinkate (2) pois.
- Ota siipimutteri (3) pois.
- Ota ilmansuodatin (4) pois.
Ilmansuodatin muodostuu kahdesta elementistä: sienisuodattimesta ja paperisuodattimesta.
- Tarkasta molempien suodatinelementtien kunto huolellisesti. Vaihda suodatinelementit uusiin.
- Puhdista ehjät suodatinelementit: katso seuraavia kappaleita
- Päätä huoltotyöt: katso kap. "Huoltotöiden päättäminen" sivulla 248.

Sienisuodattimen puhdistaminen

- Pese sieni neutraalilla pesuaineliuoksella ja huuhtele se huolellisesti.
- Anna sienen kuivua kokonaan.
- Kasta sieni puhtaaseen moottoriöljyyn.
- Purista liika öljy pois.

Paperisuodattimen puhdistaminen

- Poista likaantumut paperista lyömällä sitä kevyesti toistuvasti kovaa pintaa vasten tai puhalla suodatin paineilmalla puhtaaksi sisältä ulospäin.
Älä harjaa paperia, koska tällöin lika tunkeutuisi paperisuodattimen kuituihin.
- Vaihda paperisuodatin, jos se likaantunut voimakkaasti.

10.6 Sytytystulpan huoltaminen



HUOMAUTUS!

- Kiristä sytytystulppa huolellisesti. Jos sytytystulppaa ei ole kiristetty kunnolla, se voi kuumentua hyvin paljon ja aiheuttaa moottoriin vaurioita.
- Käytä yksinomaan samanveroisia sytytystulppia.
- Jos otat käyttöön uuden sytytystulpan, kiristä sitä 1/2 kierrosta, kun se istuu tukevasti aluslaatalla. Käytettyjä sytytystulppia käytettäessä riittää 1/8 tai 1/4 kierrosta.

- Valmistelee huoltotyöt: katsokap. ”Huoltotöiden valmisteleminen” sivulla 248.
- Ota tulpan pistoke irti.
- Ota sytytystulppa pois tulppa-avaimella.
- Tarkasta sytytystulppa silmämääräisesti.
Vaihda sytytystulppa, jos tulppa on ilmeisen kulunut tai eristin on vaurioitunut tai murtunut.
Jos sytytystulppa on ainoastaan likaantunut, puhdista se teräsharjalla.
- Mittaa elektrodien kärkiväli rakotukilla (kuva **8**, sivulla 7). Sen täytyy olla 0,7 – 0,8 mm. Väliä voi korjata mahdollisesti elektrodia taivuttamalla.
- Tarkasta, onko sytytystulpan tiiviste kunnossa.
- Jos näin on, ruuvaa sytytystulppa kädellä paikalleen, jotta kierre ei vaurioidu.
- Kiristä sytytystulppa tulppa-avaimella niin, että alusprikka painuu kasaan.
- Päätä huoltotyöt: katso kap. ”Huoltotöiden päättäminen” sivulla 248.

11 Häiriöiden poistaminen

Häiriö	Syy	Poistaminen
Kaukosäädin ei käynnisty päälle-/pois-kytkintä painettaessa.	Käynnistysakku tyhjä.	➤ Lataa käynnistysakku.
	Sähköjohto poikki tai pistoke irti.	➤ Käännä valtuutetun korjaamon puoleen.
	Generaattorin maajohto poikki tai sulake (jos on) palanut.	
Starttimoottori ei pyöri, vaikka käynnistyspainetta painetaan.	Käynnistysakku tyhjä.	➤ Lataa käynnistysakku.
	Pääkytkin on asennossa "0".	➤ Aseta pääkytkin asentoon "1" tai "4".
	Starttimoottorin akseli likaantunut.	➤ Puhdista starttimoottorin akseli.
	Moottorissa on liikaa öljyä.	➤ Päästä öljyä pois.
	Invertteri vaurioitunut.	➤ Käännä valtuutetun korjaamon puoleen.
	Sähköjohto poikki tai pistoke irti.	
	Generaattorin maajohto poikki tai sulake (jos on) palanut.	
Starttimoottori ei saa virtaa.		
Starttimoottori pyörii mutta generaattori ei käynnisty.	Ei bensiiniä/nestekaasu.	➤ Lisää bensiiniä/nestekaasu.
	Sytytystulppa ei saa virtaa.	➤ Tarkasta sähköiset johdotukset.
	Kaasutin ei saa bensiiniä.	➤ Puhdista kaasutin.
	Ilmanimu tukossa.	➤ Tarkasta ilmansuodatin (katso kap. "Ilmansuodattimen huoltaminen (kuva 7, sivulla 6)" sivulla 249).
	Ympäristölämpötila on alle 0 °C.	➤ Käytä puhdasta propaanikaasua.
	Invertteri vaurioitunut.	➤ Käännä valtuutetun korjaamon puoleen.
	Sähköjohto poikki tai pistoke irti.	

Häiriö	Syy	Poistaminen
Generaattori pyrkii sammumaan.	Moottorissa on liikaa öljyä.	➤ Päästä öljyä pois.
	Kuorma yli 2,6 kW.	➤ Kytke sähköllä toimivia laitteita pois.
	Kaasutin ei saa bensiiniä.	➤ Puhdista kaasutin.
	Ilmanimu tukossa.	➤ Tarkasta ilmansuodatin (katso kap. "Ilmansuodattimen huoltaminen (kuva 7, sivulla 6)" sivulla 249).
	Inverteri vaurioitunut.	➤ Käänny valtuutetun korjaamon puoleen.
	Sähkömagneetti jumissa.	
	Ilmansuodatin likaantunut.	
Generaattori on käynnistynyt, mutta ei luo jännitettä.	Inverteri vaurioitunut.	➤ Käänny valtuutetun korjaamon puoleen.
	Askelmoottori viallinen tai johto poikki.	
	Sähkömagneetti jumissa.	
	Kuristinlappä jumissa.	
Generaattori kiihtyy voimakkaasti käynnistyessään ja pysähtyy sitten ilmoituksen "GENERATOR ALERT" saattamana.	Inverteri vaurioitunut.	➤ Käänny valtuutetun korjaamon puoleen.
	Askelmoottori viallinen tai johto poikki.	
Luotu jännite on epävaka.	Inverteri vaurioitunut.	➤ Käänny valtuutetun korjaamon puoleen.
	Askelmoottori viallinen tai johto poikki.	

12 Tuotevastuu

Laitetta koskee lakisääteinen tuotevastuu-aika. Jos tuote sattuu olemaan viallinen, käänny maasi sopimushuollon puoleen (osoitteet käyttöohjeen takasivulla).

Asiantuntijamme auttavat sinua ja neuvovat sinua tuotevastuun jatkokomen- telyn suhteen.

13 Hävittäminen

- Vie pakkausmateriaali mahdollisuuksien mukaan vastaavan kierrätysjät- teen joukkoon.



Jos poistat tuotteen lopullisesti käytöstä, pyydä tietoa sen hävittä- mistä koskevista määräyksistä lähimmästä kierrätyskeskuksesta tai ammattiliikkeestäsi.



Muista ympäristönsuojelu!

Akut ja paristot eivät kuulu kotitalousjätteen sekaan.

Toimita vialliset akut tai käytetyt paristot kauppiaalle tai keräyspis- teeseen.

14 Tekniset tiedot

	Dometic TEC29	Dometic TEC29LPG
Tuotenro:	9102900200	9102900179
Lähtönimellisjännite:	230 V~ / 50 Hz	
Maks. jatkuva teho (kun 25 °C merenpinnan tasolla):	2600 W	
Akkulaturin lähtöjännite:	12 V===	
Akkulaturin maks. lähtövirta:	10 A	
Käyttölämpötila-alue:	-15 °C ... +50 °C	-15 °C ... +50 °C (riippuen LPG:n pro- paanipitoisuudesta)
Särökerroin:	1 %	
Polttoaine:	Normaali 91-oktaani- nen bensiini	Nestekaasu
Kulutus:	300 g/kWh maks. 1,2 l/h	408 g/kWh maks. 1,0 kg/h
Moottorin teho:	4,0 kW (5,5 hv)	
Taattu melutaso:	86 dB(A)	
Melutaso 7 m etäisyydellä:	54–59 dB(A)	
Mitat:	katso kuva 9 , sivulla 7	
Paino:	44 kg	
Tarkastus/sertifikaatti:		

Por favor, leia atentamente este manual antes da colocação em funcionamento do aparelho e guarde-o em local seguro. Em caso de transmissão do produto, entregue o manual ao novo utilizador.

Índice

1	Explicação dos símbolos	256
2	Indicações de segurança	257
3	Destinatários do presente manual	259
4	Material fornecido	260
5	Acessório	260
6	Utilização adequada	261
7	Descrição técnica.	261
8	Operar o gerador	264
9	Limpar o gerador	270
10	Manutenção do gerador.	271
11	Eliminar falhas	277
12	Garantia	279
13	Eliminação	279
14	Dados técnicos	280

1 Explicação dos símbolos



AVISO!

Indicação de segurança: o incumprimento pode provocar a morte ou ferimentos graves.



PRECAUÇÃO!

Indicação de segurança: o incumprimento pode provocar ferimentos.

**NOTA!**

O incumprimento pode causar danos materiais e pode prejudicar o funcionamento do produto.

**OBSERVAÇÃO**

Informações suplementares sobre a operação do produto.

► **Ação:** este símbolo indica que há uma ação a realizar. As ações necessárias são descritas passo a passo.

✓ Este símbolo descreve o resultado de uma ação.

Fig. 1 5, página 3: esta informação refere-se a um elemento presente na figura, neste exemplo para a “posição 5 na figura 1 da página 3”.

2 Indicações de segurança

O fabricante não se responsabiliza por danos nos seguintes casos:

- Danos no produto resultantes de influências mecânicas e sobretensões
- Alterações ao produto sem autorização expressa do fabricante
- Utilização para outras finalidades que não as descritas no manual de instruções

O mesmo não se responsabiliza em caso de danos recorrentes, sobretudo danos recorrentes que possam ocorrer devido a falhas de funcionamento do gerador.

Tenha em atenção as seguintes medidas de segurança fundamentais na utilização de aparelhos elétricos para a proteção contra:

- choque elétrico
- perigo de incêndio
- ferimentos

2.1 Segurança essencial



AVISO!

- **Os aparelhos elétricos não são brinquedos!**

As crianças não conseguem avaliar adequadamente os perigo decorrentes dos equipamentos elétricos. Não permita que as crianças utilizem equipamentos elétricos sem supervisão.

- As pessoas (incluindo crianças) que não estão aptas a utilizar o aparelho de modo seguro devido a incapacidade física, sensorial ou mental ou devido à sua inexperiência, não devem utilizar o aparelho sem a supervisão ou as instruções de uma pessoa responsável.
- Utilize o aparelho apenas para o fim previsto.
- Não deve executar quaisquer alterações ou modificações no aparelho.
- A instalação, a manutenção e as reparações no gerador apenas devem ser realizadas por técnicos especializados que estão familiarizados com os perigos inerentes durante o manuseamento do gerador ou com as normas em vigor. As reparações inadequadas podem levar a perigos graves. Em caso de reparações, entre em contacto com a filial do fabricante no seu país (endereços no verso).
- Os gases de escape contêm monóxido de carbono, um gás extremamente tóxico, incolor e inodoro. Os gases de escape não devem ser inalados. Não deixe o motor do gerador a trabalhar numa garagem fechada ou numa sala sem janelas.



PRECAUÇÃO!

- O gerador apenas pode ser utilizado com a tampa de inspeção fechada.
- Remova das imediações do gerador todos os materiais inflamáveis, tais como gasolina, tintas, solventes, etc.
- Certifique-se de que as partes quentes do gerador não entram em contacto com materiais facilmente inflamáveis.
- Abasteça o gerador apenas num espaço bem ventilado e quando desligado. A gasolina e o gás líquido são altamente inflamáveis e podem explodir.
- Se o depósito estiver perto do gerador, não abasteça o gerador com o motor do veículo ligado.

- **Apenas TEC29:** Se derramar gasolina, limpe-a bem e, antes de ligar o motor, aguarde pela libertação dos vapores.
- **Apenas TEC29LPG:** Compare a indicação da pressão na chapa de características com a indicação da pressão na garrafa de gás liquefeito.
- **Apenas TEC29LPG:: Nunca** guarde as garrafas de gás liquefeito em locais sem ventilação ou abaixo do nível do solo (cavidades no solo em forma de funil).
- **Apenas TEC29LPG::** Proteja as garrafas de gás liquefeito da irradiação solar direta. A temperatura não deve exceder os 50 °C.
- Não toque no gerador nem nos cabos com as mãos molhadas.
- Apenas substitua os fusíveis por outros com as mesmas características técnicas.
- Não ligue o gerador nas proximidades de fontes de ignição (p.ex. postos de abastecimento de combustível, terrenos secos com perigo de incêndio florestal), no funcionamento automático.

**NOTA!**

- **Apenas TEC29:** Não abastece o depósito em demasia. No gargalo do depósito não deve existir gasolina. Verifique se o tampão está bem fechado.

2.2 Segurança durante a utilização do aparelho

**AVISO!**

- Para realizar trabalhos no aparelho, deve interromper sempre a alimentação de corrente.

**NOTA!**

- Utilize o aparelho apenas quando o corpo e os cabos não apresentem danos.

3 Destinatários do presente manual

Este manual de instruções destina-se ao utilizador do gerador.

4 Material fornecido

TEC29

Designação	Número de artigo
Gerador TEC29	9102900200
AG 102, relé de comutação para estabelecer uma ligação de prioridade	9102900013
Instruções de montagem	
Manual de instruções	

TEC29

Designação	Número de artigo
Gerador TEC29LPG	9102900179
AG 102, relé de comutação para estabelecer uma ligação de prioridade	9102900013
Instruções de montagem	
Manual de instruções	

5 Acessório

Disponível como acessório (não incluído no material fornecido):

Designação das peças	Número de artigo
Apenas TEC29: AG 101, depósito de 15 l, plástico	9102900009
Apenas TEC29: AG 100, depósito de 20 l, aço inoxidável	9102900011
Apenas TEC29: AG 150, conjunto de tubos para AG 100/AG 101	9102900003
AG 125, tubo de metal flexível para extensão da conduta de gases de escape, 5 m	9102900138
AG 128, Vedação para TEC29	9102900040

6 Utilização adequada

Os geradores TEC29 (n.º art. 9102900200) e o gerador TEC29LPG (n.º art. 9102900179) estão concebidos para a utilização em caravanas, auto-caravanas e veículos comerciais.

O gerador **não** é adequado para ser instalado em embarcações.

O gerador produz uma tensão alternada sinusoidal pura de 230 V/50 Hz, à qual se podem conectar consumidores com uma carga total constante de 2600 W. A qualidade da corrente também é apropriada para consumidores sensíveis (p.ex. PC).

O gerador pode carregar uma bateria de 12 V.

7 Descrição técnica

Os geradores TEC29 e TEC29LPG são compostos pelos seguintes elementos principais (fig. **1**, página 3):

- Motor de combustão (**1**)
- Gerador trifásico (**2**) com ímanes permanentes
- Inversor (**3**)
- Painel de conexão (**4**)
- Controlo remoto (**5**)

O motor de combustão (**1**) roda o gerador trifásico a que está conetado (**2**), o qual, por sua vez, gera uma tensão alternada.

O inversor (**3**) converte essa tensão alternada numa tensão estável de 230 V e 50 Hz.

No painel de conexão (**4**) estão colocados os terminais de conexão, a tomada para o cabo de conexão ao controlo remoto (**5**) e o interruptor principal.

Vista geral de todos os componentes:

- TEC29: fig. **10**, página 8.
- Apenas TEC29LPG: fig. **11**, página 9

O gerador oferece as seguintes opções:

- Carregador de bateria integrado para carregar a bateria conetada
- Modo de funcionamento automático para o carregamento automático da bateria conetada (necessário configurar aquando da montagem).


Elementos de comando na caixa de conexão

A caixa de conexão encontra-se no gerador por detrás da cobertura.

Pos. na fig. 2, página 4	Descrição	
1	Botão principal	Liga ou desliga o gerador.
2	Apenas TEC29: Interruptor de proteção	Proteção eletromecânica contra sobrecarga.
3	Apenas TEC29LPG: Fusível principal	Dispara em caso de sobrecarga do lado da corrente alternada. O fusível lento tem de ser substituído após ter disparado.
4	Apenas TEC29LPG: Fusível do carregador da bateria	Dispara em caso de sobrecarga do lado da corrente contínua. O fusível lento tem de ser substituído após ter disparado.

Elementos de comando no controlo remoto

O controlo remoto está instalado no interior do veículo.

Pos. na fig. 3, página 4	Descrição	
1	Mostrador	Exibe mensagens de estado.
2	Interruptor para ligar/desligar “  ”	Liga e desliga o controlo remoto quando o interruptor principal está em “I” ou “1”. Para o gerador.
3	Botão “START”	Aciona o gerador quando o painel de comando está ligado e o interruptor principal se encontra em “I” ou “1”.
4	Apenas TEC29: Indicação do nível de gasolina	Acende quando a gasolina está na reserva.
5	Indicação do nível do óleo	Acende quando o nível do óleo está demasiado baixo.

Indicações do mostrador

Pos. na fig. 3, página 4	Descrição	
6	Tensão alternada	Tensão de saída atual
7	Potência contínua	Potência atual dos consumidores conetados
8	Horas de funcionamento	Tempo durante o qual o gerador esteve a trabalhar
9	Tensão contínua	Tensão da bateria
10	Mensagens	Mensagem de estado do gerador (ver capítulo “Mensagens no mostrador” na página 266)

8 Operar o gerador



NOTA!

Nas primeiras 50 horas de funcionamento (fase inicial), não utilize o gerador a mais de 70 % da sua potência contínua máxima.



OBSERVAÇÃO

Após a fase inicial, não utilize o gerador a mais de aprox. 75 % da sua potência contínua máxima.

Deste modo pode prolongar a vida útil do gerador, bem como maximizar o seu rendimento.

8.1 Indicações básicas relativas à operação



PRECAUÇÃO! Perigo de ferimentos!

Não insira os dedos ou objetos nas aberturas de ventilação.

Preste atenção às seguinte indicações básicas:

- Antes de cada utilização, verifique o nível do óleo (capítulo “Controlar o nível do óleo” na página 268).
- **Apenas TEC29LPG:** Antes de cada utilização, verifique a estanqueidade da conduta de gás liquefeito com um spray de deteção de fugas.
- Mesmo pequenas sobrecargas levam a que, com o tempo, os interruptores de proteção (**TEC29**) ou os fusíveis (**TEC29LPG**) acabem por disparar.
- Depois de utilizar o gerador, deixe-o a trabalhar por alguns segundos sem consumidores ligados antes de o desligar.
- Travagens bruscas, acelerações e condução em trajetos com curvas podem causar problemas no sistema de bomba do gerador e provocar uma desativação indesejada.
- Se não utilizar o gerador durante muito tempo, ligue-o, pelo menos, de 30 em 30 dias e deixe-o a trabalhar, no mínimo, 15 minutos.

8.2 Colocar o gerador em modo operacional ou sem função

O gerador é ligado ou desligado através do botão principal (fig. **2** 1, página 4) localizado na caixa de conexão.

8.3 Ligar e desligar o controlo remoto

O controlo remoto é ligado e desligado através do botão para ligar/desligar (fig. **3** 2, página 4) localizado no controlo remoto.

- ▶ Ligue o controlo remoto através do botão para ligar/desligar.
- ✓ O mostrador apresenta: *GEN OFF*.
O mostrador desliga-se automaticamente após 5 minutos se durante esse espaço de tempo não tiver sido acionado o botão de arranque.
Ao pressionar o botão de arranque, o mostrador volta a ligar-se.
- ✓ O gerador pode agora ser colocado a trabalhar.

8.4 Colocar o gerador a trabalhar

O gerador apenas pode ser colocado a trabalhar quando está operacional e o controlo remoto estiver ligado.



OBSERVAÇÃO

Quando o gerador ainda está quente, basta pressionar brevemente o botão de arranque para ligá-lo, quando o gerador está frio é necessário pressionar o botão durante mais tempo.

- ▶ Coloque o gerador a trabalhar com o botão START (fig. **3** 3, página 4).

8.5 Parar o gerador

- ▶ Pare o gerador com o botão de ligar/desligar (fig. **3** 2, página 4).
Se o gerador não parar: desligue-o através do botão principal (fig. **2** 1, página 4).

8.6 Mensagens no mostrador

Mensagem no mostrador Descrição	Comportamento do gerador	Medidas
LOW BATTERY A tensão da bateria desceu abaixo do valor mínimo necessário para proceder a tentativas de arranque (9 V).	O gerador não arranca.	Carregar a bateria.
OIL CHANGE As horas de funcionamento atingiram o valor estabelecido para a mudança do óleo do motor.	O gerador continua a trabalhar.	Proceder à mudança do óleo (ver capítulo “Mudar o óleo (fig. 6, página 6)” na página 273) e depois ligar novamente o gerador, pressionando durante algum tempo o botão de arranque.
NO FUEL A gasolina no depósito está na reserva.	O gerador continua a trabalhar.	Abastecer.
OIL ALERT Falta óleo no motor.	O gerador para.	Reabastecer óleo (ver capítulo “Controlar o nível do óleo” na página 268).
GENERATOR ALERT! Mensagem de alarme geral Exemplo: O anel de controlo da válvula de estrangulamento do carburador (motor passo a passo) está avariado.	O gerador para.	Verificar o sistema com a ajuda da tabela “Eliminar avarias” (página 277). Caso o problema não possa ser resolvido, entre em contacto com a filial do fabricante no seu país (endereços no verso do manual).
OVERLOAD! Os consumidores geram uma sobrecarga na saída.	O inversor desliga-se e, por isso, deixa de ser transmitida tensão, mas o motor continua a trabalhar até ir abaixo.	Diminuir a carga e voltar a colocar o gerador a trabalhar.
SHORT CIRCUIT Os consumidores geram um curto-circuito na saída.	O inversor desliga-se e, por isso, deixa de ser transmitida tensão, mas o motor continua a trabalhar até ir abaixo.	Controlar o estado dos consumidores, depois voltar a colocar o gerador a trabalhar.
OVER TEMPERATURE Sobreaquecimento	O inversor desliga-se e, por isso, deixa de ser transmitida tensão, mas o motor continua a trabalhar para arrefecer o gerador.	Deixar o gerador arrefecer, aguardar alguns minutos, depois voltar a colocar o gerador a trabalhar.

Mensagem no mostrador Descrição	Comportamento do gerador	Medidas
<i>LOW POWER ENGINE</i> Queda da tensão de alimentação do inversor.	O gerador para.	Diminuir a carga e voltar a colocar o gerador a trabalhar.
<i>RESTART GEN?</i> Mensagem que surge após uma paragem do gerador devido a sobreaquecimento.	O gerador está desligado.	Premir o botão de arranque para voltar a ligar o gerador.
<i>GEN CAL</i> Mensagem exibida durante o arranque do gerador; mostra a fase de calibração que antecede cada arranque. O gerador ainda não gera tensão.	O gerador roda mas não gera tensão.	Aguardar um momento.
<i>GEN WAIT</i> Mensagem exibida durante o intervalo entre duas tentativas de arranque.	O gerador está desligado.	Aguardar até a mensagem apagar, depois tentar novamente o arranque.
<i>GEN ON</i> Funcionamento normal do gerador.	Funcionamento normal	–
<i>GEN OFF</i>	O gerador encontra-se no modo de standby e pode ser colocado a trabalhar.	–
<i>AUTO?</i> Mensagem exibida ao ligar o modo de funcionamento automático	O comando aguarda pela introdução do utilizador.	No espaço de 20 segundos, premir o botão "Start" e mantê-lo premido durante 3 segundos.
<i>AUTO</i> Modo de funcionamento automático	O modo de funcionamento automático encontra-se ligado.	–

8.7 Controlar o nível do óleo



PRECAUÇÃO!

O óleo quente pode provocar queimaduras.
Verifique o nível do óleo apenas com o gerador desligado.



OBSERVAÇÃO

O gerador deve estar na horizontal.

Antes de cada utilização, verifique o nível do óleo. Para esse efeito, proceda do seguinte modo:

- Abra a tampa do gerador.
- Desligue o gerador com o botão principal (fig. 4 1, página 5).
- Separe a conexão do polo positivo da bateria de alimentação.
- Puxe a vareta de medição (fig. 4 2, página 5) do bocal de enchimento (fig. 4 3, página 5).
- Limpe a vareta de medição (fig. 4 2, página 5) com um pano.
- Insira a vareta de medição (fig. 4 2, página 5) totalmente no bocal de enchimento (fig. 4 3, página 5).
- Puxe a vareta de medição (fig. 4 2, página 5) do bocal de enchimento.
- Verifique se o nível do óleo se encontra entre a marca (nível de enchimento máximo) e a ponta da vareta de medição (fig. 4 4, página 5).
Caso tal não se verifique, reabasteça óleo.
- Insira a vareta de medição (3) totalmente no bocal de enchimento (fig. 4 3, página 5).
- Conete o gerador ao polo positivo da bateria de alimentação.
- Com o botão principal (fig. 4 1, página 5) coloque o gerador em estado operacional.
- Feche a tampa do gerador.

8.8 Ligar o modo de funcionamento automático

O modo de funcionamento automático apenas pode ser ligado nas seguintes condições:

- caso o gerador tenha sido configurado aquando da montagem
- com a viatura parada e com a ignição desligada
- se o botão do modo de funcionamento automático tiver sido ligado (caso existente)

No modo de funcionamento automático, o gerador arranca automaticamente quando a tensão da bateria conetada é demasiado baixa, carregando a bateria.

O gerador desliga automaticamente quando a bateria se encontra totalmente carregada.

Como ligar o modo de funcionamento automático:

- Ligue o botão do modo de funcionamento automático (caso disponível).
 - Desligue a ignição.
 - Ligue o controlo remoto ligando e desligando o interruptor de ligar/desligar.
- ✓ Exibição no mostrador: *AUTO?*



OBSERVAÇÃO

Quando no mostrador é exibido *GEN OFF* (Gerador desl.) em vez de *AUTO?*, significa que não foi configurado o modo de funcionamento automático do gerador. Neste caso, dirija-se à sua oficina especializada, onde foi efetuada a montagem, e faça a configuração posterior do modo de funcionamento automático.

- No espaço de 20 segundos, prima o botão “Start” e mantenha-o premido durante 3 segundos.
- ✓ Exibição no mostrador: *AUTO*.
- O modo de funcionamento automático está ligado.

**OBSERVAÇÃO**

No modo de funcionamento automático não é possível acionar o gerador com o botão “Start”. O gerador arranca automaticamente.

Pode ligar e desligar o gerador com o botão de funcionamento automático (caso disponível).

8.9 Desligar o modo de funcionamento automático

- Desligue o botão do modo de funcionamento automático (caso disponível).

ou ...

- Ligue a ignição.
- ✓ Exibição no mostrador: *GEN OFF*.

9 Limpar o gerador

**NOTA! Perigo de danos!**

- Nunca limpe o gerador com uma pistola de alta pressão. A penetração de água pode danificar o gerador.
 - Não utilize objetos afiados ou duros ou agentes de limpeza para a limpeza, uma vez que podem causar danos no gerador.
 - Para a limpeza do gerador, utilize exclusivamente água com um detergente suave. Nunca utilize benzina, gasóleo ou solventes.
- Caso necessário, limpe o corpo do gerador com um pano húmido.
 - Remova com regularidade a sujidade das aberturas de ventilação do gerador. Preste a atenção para não danificar as lâminas de ventilação do gerador durante a limpeza.

10 Manutenção do gerador

10.1 Tabela de manutenção



AVISO!

Delegar todos os trabalhos de manutenção a pessoal devidamente especializado que conheça as normas em vigor. Os trabalhos de manutenção inadequados podem provocar perigos graves.



OBSERVAÇÃO

Solicite os seguintes trabalhos de manutenção nos intervalos estipulados ou conforme o número de horas de funcionamento indicadas, consoante o que ocorrer primeiro.

Intervalo	Verificação/manutenção
No primeiro mês ou após 20 horas	<ul style="list-style-type: none"> ➤ Mudar o óleo (capítulo “Mudar o óleo (fig. 6, página 6)” na página 273). ➤ Controlar e limpe o filtro do ar (capítulo “Conservar o filtro do ar (fig. 7, página 6)” na página 274).
De 3 em 3 meses ou a cada 50 horas	<ul style="list-style-type: none"> ➤ Controlar e limpe o filtro do ar (capítulo “Conservar o filtro do ar (fig. 7, página 6)” na página 274).
De 6 em 6 meses ou após 100 horas	<ul style="list-style-type: none"> ➤ Mudar o óleo. ➤ Realizar a manutenção da vela (capítulo “Realizar a manutenção da vela” na página 276).
Todos os anos ou após 300 horas	<ul style="list-style-type: none"> ➤ Realizar a manutenção das válvulas. ➤ Apenas TEC29: Conservar o depósito da gasolina e o filtro de combustível. ➤ Realizar a manutenção dos amortecedores de vibrações.
De 2 em 2 anos	<ul style="list-style-type: none"> ➤ Apenas TEC29: Realizar medidas de conservação nos tubos de gasolina. ➤ Apenas TEC29LPG: Realizar a manutenção das condutas de gás.

10.2 Preparar os trabalhos de manutenção



PRECAUÇÃO!

Em todos os trabalhos de manutenção tenha atenção:

- O gerador não deve estar em funcionamento.
- Todas as peças devem estar frias.

- Desligue o gerador com o botão principal (fig. **4** 1, página 5).
- Separe a conexão do polo positivo da bateria de alimentação.
- Abra a tampa do gerador.

O gerador pode ser retirado do local de instalação para realizar os trabalhos de manutenção (fig. **5**, página 5):



AVISO!

A placa de suporte do gerador é bastante pesada (> 40 kg) e pode cair do corpo se for extraída em demasia.

- Solte os parafusos de fixação (1).
- Puxe a placa de suporte (2) com o gerador para fora do corpo (3).

10.3 Concluir os trabalhos de manutenção

- Conete o gerador ao polo positivo da bateria de alimentação.
- Com o botão principal (fig. **4** 1, página 5), coloque o gerador em estado operacional.
- Feche a tampa do gerador.

10.4 Mudar o óleo (fig. 6, página 6)



PRECAUÇÃO!

O óleo quente pode provocar queimaduras. Utilize luvas de proteção.



NOTA!

O óleo usado deve ser obrigatoriamente entregue a empresas especializadas para ser eliminado ou reciclado e as leis relativas à proteção do meio ambiente vigentes no país em causa devem ser respeitadas.

Podem ser utilizados os seguintes óleos:

- Óleo para motores a quatro tempos da classe API SG ou SF.
- Óleo da classe SAE 10W-30 (pode ser utilizado a todas as temperaturas).
- Óleo mono graduado.
Selecione a viscosidade adequada em função da temperatura média do local.

O óleo muda-se da seguinte maneira:

- Deixe o gerador a trabalhar durante três a cinco minutos para aquecer, para que o óleo fique mais fino, acabando por escoar mais rapidamente e por completo.
- Coloque um recipiente adequado por baixo do bujão de escoamento (1).
- Remova o bujão de escoamento (1).
- ✓ O óleo esco.
- Coloque óleo limpo no bocal do óleo.
Quantidade de óleo: 0,6 l.

10.5 Conservar o filtro do ar (fig. 7, página 6)



AVISO! Perigo de explosão!

Para limpar o filtro de ar, nunca utilize gásóleo ou solventes com um baixo ponto de evaporação. Estes podem inflamar e explodir.



NOTA!

Nunca deixe o motor a trabalhar sem o filtro de ar. Caso contrário, o motor fica sujeito a um desgaste prematuro.



OBSERVAÇÃO

Quando o filtro de ar está sujo, o fluxo de ar para o carburador diminui. Para que o carburador funcione bem, é necessário controlar regularmente o estado do filtro. Se o gerador for utilizado num ambiente especialmente poluído, torna-se necessário controlar o estado do filtro com mais frequência.

- Prepare os trabalhos de manutenção e puxe o gerador um pouco para fora do corpo: ver capítulo “Preparar os trabalhos de manutenção” na página 272.
- Remova os parafusos (1) e a tampa do filtro (2).
- Remova o parafuso (3).
- Remova o filtro de ar (4).

O filtro de ar é composto por dois elementos: um filtro de esponja e um filtro de papel.
- Verifique minuciosamente o estado dos dois elementos do filtro. Substitua os elementos do filtro danificados.
- Limpe os elementos do filtro que não estão danificados: consulte as seguintes secções.
- Finalize os trabalhos de manutenção: ver capítulo “Concluir os trabalhos de manutenção” na página 272.

Limpar o filtro de esponja

- Lave o filtro de esponja com um detergente neutro e enxugue-o bem.
- Deixe a esponja secar por completo.
- Impregne a esponja com óleo de motor limpo.
- Esprema o excesso de óleo.

Limpar o filtro de papel

- Liberte a sujidade, batendo o papel repetidamente e com suavidade contra uma superfície dura ou sobre ar comprimido de dentro para fora.
Não escove o papel, isso levaria a que a sujidade se entranhasse nas fibras do filtro de papel.
- Substitua o filtro de papel se este estiver bastante sujo.

10.6 Realizar a manutenção da vela



NOTA!

- Aperte a vela cuidadosamente. Quando a vela não está bem apertada pode aquecer em demasia e causar danos no motor.
- Utilize exclusivamente velas equivalentes.
- Ao colocar uma nova vela, aperte-a meia volta quando esta estiver posicionada firmemente sobre a arruela. No caso de velas já utilizadas, basta um 1/4 ou 1/8 de volta.

- Prepare os trabalhos de manutenção: ver capítulo “Preparar os trabalhos de manutenção” na página 272.
- Retire o cachimbo da vela.
- Remova a vela com uma chave de velas.
- Controle visualmente a vela.
Se a vela apresentar sinal óbvios de desgaste ou o isolador estiver danificado ou quebrado, substitua a vela.
Se a vela apenas estiver suja, limpe-a com uma escova em aço.
- Meça a distância entre os elétrodos com um medidor de espessura (fig. 8, página 6). A distância deve ser de 0,7 - 0,8 mm e pode, se necessário, ser corrigida dobrando o elétrodo.
- Verifique se a junta da vela está intata.
- Se estiver, enrosque a vela manualmente para evitar que a rosca fique danificada.
- Aperte a vela com uma chave de velas de modo a pressionar a arruela.
- Finalize os trabalhos de manutenção: ver capítulo “Concluir os trabalhos de manutenção” na página 272.

11 Eliminar falhas

Falha	Causa	Eliminação
O controlo remoto não liga quando o botão para ligar/desligar é pressionado.	Bateria de arranque descarregada.	➤ Carregue a bateria de arranque.
	Cabo de corrente interrompido ou ficha retirada.	➤ Entre em contacto com uma oficina qualificada devidamente autorizada.
	Cabo de massa do alternador interrompido ou fusível (se existente) solto.	
Ao pressionar o botão de arranque, o motor de arranque não trabalha.	Bateria de arranque descarregada.	➤ Carregue a bateria de arranque.
	O botão principal está em "0".	➤ Coloque o interruptor principal em "I" ou "1".
	Veio do motor de arranque sujo.	➤ Limpe o veio do motor de arranque.
	Óleo em excesso no motor.	➤ Escoa óleo.
	Inversor danificado.	➤ Entre em contacto com uma oficina qualificada devidamente autorizada.
	Cabo de corrente interrompido ou ficha retirada.	
	Cabo de massa do alternador interrompido ou fusível (se existente) solto.	
O motor de arranque não recebe corrente.		
O motor de arranque trabalha, mas o gerador não arranca.	Sem gasolina/GPL.	➤ Abasteça gasolina/GPL.
	A vela não recebe corrente.	➤ Verifique as ligações elétricas.
	A gasolina não chega ao carburador.	➤ Limpe o carburador.
	Aspiração de ar obstruída.	➤ Verifique o filtro de ar (ver capítulo "Conservar o filtro do ar (fig. 7, página 6)" na página 274).
	A temperatura ambiente é inferior a 0 °C	➤ Utilize apenas gás propano puro.
	Inversor danificado.	➤ Entre em contacto com uma oficina qualificada devidamente autorizada.
	Cabo de corrente interrompido ou ficha retirada.	

Falha	Causa	Eliminação
O gerador tende a ir abaixo.	Óleo em excesso no motor.	➤ Escoa óleo.
	Carga superior a 2,6 kW.	➤ Desconete os consumidores.
	A gasolina não chega ao carburador.	➤ Limpe o carburador.
	Aspiração de ar obstruída.	➤ Limpe o filtro do ar (capítulo “Conservar o filtro do ar (fig. 7, página 6)” na página 274).
	Inversor danificado.	➤ Entre em contacto com uma oficina qualificada devidamente autorizada.
	Eletroímã (motor de arranque) danificado.	
Filtro de ar sujo.		
O gerador arrancou mas não gera tensão.	Inversor danificado.	➤ Entre em contacto com uma oficina qualificada devidamente autorizada.
	Motor passo a passo danificado ou cabo interrompido.	
	Eletroímã (motor de arranque) danificado.	
	Válvula de estrangulamento bloqueada.	
O gerador arranca com uma forte aceleração mas depois para com a mensagem “GENERATOR ALERT”.	Inversor danificado.	➤ Entre em contacto com uma oficina qualificada devidamente autorizada.
	Motor passo a passo danificado ou cabo interrompido.	
A tensão gerada é instável.	Inversor danificado.	➤ Entre em contacto com uma oficina qualificada devidamente autorizada.
	Motor passo a passo danificado ou cabo interrompido.	

12 Garantia

É válido o prazo de garantia legal. Se o produto estiver com defeito, por favor, dirija-se à assistência técnica do seu país (endereços, ver verso do manual).

Os nossos técnicos têm todo o gosto em ajudá-lo e aconselhá-lo durante o processo dos direitos de garantia.

13 Eliminação

- Sempre que possível, coloque o material de embalagem no respectivo contentor de reciclagem.



Para colocar o aparelho definitivamente fora de funcionamento, por favor, informe-se junto do centro de reciclagem mais próximo ou revendedor sobre as disposições de eliminação aplicáveis.




Proteja o meio ambiente!

As baterias e pilhas não devem ser eliminadas em conjunto com o lixo doméstico.

Entregue as baterias e pilhas danificadas ou gastas no ponto de compra ou num pilhão.

14 Dados técnicos

	Dometic TEC29	Dometic TEC29LPG
N.º art.:	9102900200	9102900179
Tensão de saída nominal:	230 V~ / 50 Hz	
Potência contínua máx. (a 25 °C ao nível do mar):	2600 W	
Tensão de saída do carregador de baterias:	12 V===	
Corrente de saída máx. do carregador de baterias:	10 A	
Intervalo de temperatura de funcionamento:	-15 °C a +50 °C	-15 °C a +50 °C (em função do teor de propano no GPL)
Distorção harmónica:	1 %	
Combustível:	Gasolina normal ROZ 91	Gás liquefeito (GPL)
Consumo:	300 g/kWh máx. 1,2 l/h	408 g/kWh máx. 1,0 kg/h
Potência do motor:	4,0 kW (5,5 PS)	
Nível acústico garantido:	86 dB(A)	
Nível acústico a uma distância de 7 m:	54 – 59 dB(A)	
Dimensões:	ver fig. 9 , página 7	
Peso:	44 kg	
Verificação/Certificado:		

Прочтите данную инструкцию перед вводом в эксплуатацию и сохраните ее. В случае передачи продукта передайте инструкцию следующему пользователю.

Оглавление

1	Пояснение символов	282
2	Указания по технике безопасности.	283
3	Целевая группа данной инструкции	285
4	Объем поставки	286
5	Принадлежности	286
6	Использование по назначению.	287
7	Техническое описание.	287
8	Управление генератором	290
9	Очистка генератора	296
10	Техническое обслуживание генератора.	297
11	Устранение неисправностей.	303
12	Гарантия	305
13	Утилизация.	305
14	Технические данные	306

1 Пояснение символов

**ПРЕДУПРЕЖДЕНИЕ!**

Указания по технике безопасности: Несоблюдение может привести к смертельному исходу или тяжелым травмам.

**ОСТОРОЖНО!**

Указания по технике безопасности: Несоблюдение может привести к травмам.

**ВНИМАНИЕ!**

Несоблюдение может привести к повреждениям и нарушить работу продукта.

**УКАЗАНИЕ**

Дополнительная информация по управлению продуктом.

➤ **Действие:** Этот символ указывает на то, что Вы должны выполнить определенное действие. Требуемые действия описываются шаг за шагом.

✓ Этот символ описывает результат действия.

Рис. 1 5, стр. 3: Данное указание обращает Ваше внимание на рисунок, в данном примере на «позицию 5 на рисунке 1 на странице 3».

2 Указания по технике безопасности

Изготовитель не несет никакой ответственности за ущерб в следующих случаях:

- Повреждения продукта из-за механических воздействий и перенапряжений
- Изменения в продукте, выполненные без однозначного разрешения изготовителя
- Использование в целях, отличных от указанных в данной инструкции

Он не несет, в частности, никакой ответственности за любой косвенный ущерб, в т. ч. и косвенный ущерб, вызванный отказом генератора.

Соблюдайте следующие основные предписания по технике безопасности при пользовании электроприборами для защиты от:

- поражения электрическим током
- опасности возникновения пожара
- травм

2.1 Основные указания по технике безопасности



ПРЕДУПРЕЖДЕНИЕ!

- **Электроприборы не являются детскими игрушками!**
Дети не в состоянии правильно оценить опасности, исходящие от электроприборов. Не оставляйте детей пользоваться электроприборами без присмотра.
- Лица (включая детей), которые в связи с ограниченными физическими, сенсорными или умственными способностями или с недостатком опыта или знаний не в состоянии пользоваться прибором, не должны использовать прибор без постоянного присмотра или инструктажа ответственных за них лиц.
- Используйте прибор только по назначению.
- Не выполняйте никаких изменений и переделок на приборе.

- Монтаж, техническое обслуживание и ремонт генератора разрешается выполнять только специалистам, знакомым с опасностями при обращении с генераторами, а также с соответствующими стандартами и предписаниями. Неправильно выполненный ремонт может приводить к серьезным опасностям. При необходимости ремонта обратитесь в представительство изготовителя в Вашей стране (адреса указаны на обороте).
- Продукты сгорания содержат окись углерода, предельно ядовитый, не имеющий запаха и бесцветный газ. Не вдыхайте продукты сгорания. Не оставляйте двигатель генератора работать в закрытом гараже или помещении, не имеющем окон.



ОСТОРОЖНО!

- Генератор разрешается эксплуатировать только при закрытой заслонке.
- Удалите все легковоспламеняющиеся материалы, как, например, бензин, лаки, краски, растворители и т. п., из зоны вблизи генератора.
- Убедитесь в том, что нагревающиеся узлы генератора не контактируют с легковоспламеняющимися материалами.
- Заправляйте генератор только в выключенном состоянии и только в хорошо вентилируемой зоне. Бензин и сжиженный газ являются легко воспламеняющимися веществами и могут взрываться.
- Не заправляйте генератор при включенном двигателе автомобиля, если бак находится вблизи генератора.
- **Только TEC29:** В случае выливания бензина тщательно вытрите его и перед тем, как включить двигатель, подождите, пока полностью не исчезнут пары.
- **Только TEC29LPG:** Сравните параметры давления на заводской табличке с параметрами давления на баллоне со сжиженным газом.
- **Только TEC29LPG:** Категорически запрещается хранить баллоны со сжиженным газом в непроветриваемых местах или ниже уровня земли (воронкообразных земляных углублениях).

- **Только TEC29LPG:** Защитите баллоны со сжиженным газом от прямых солнечных лучей. Температура не должна превышать 50 °С.
- Не касайтесь генератора и проводов влажными руками.
- Заменяйте предохранители или термовыключатели только на устройства с такими же техническими характеристиками
- Не включайте генератор в автоматическом режиме вблизи источников воспламенения (например, на заправочных станциях, на сухих участках земли с опасностью лесного пожара).

**ВНИМАНИЕ!**

- **Только TEC29:** Не переполняйте топливный бак. В горловине бака не должен находиться бензин. Проверьте, правильно ли закрыта крышка.

2.2 Техника безопасности при работе прибора

**ПРЕДУПРЕЖДЕНИЕ!**

- При работах на приборе всегда прерывайте электропитание.

**ВНИМАНИЕ!**

- Эксплуатируйте прибор только в том случае, если корпус и провода не имеют повреждений.

3 Целевая группа данной инструкции

Данная инструкция по эксплуатации предназначена для пользователей генератора.

4 Объем поставки

TEC29

Наименование	Арт. №
Генератор TEC29	9102900200
AG 102, переключающее реле для реализации приоритетной схемы	9102900013
Инструкция по монтажу	
Инструкция по эксплуатации	

TEC29LPG

Наименование	Арт. №
Генератор TEC29LPG	9102900179
AG 102, переключающее реле для реализации приоритетной схемы	9102900013
Инструкция по монтажу	
Инструкция по эксплуатации	

5 Принадлежности

Продается в качестве принадлежности (не входит в объем поставки):

Наименование деталей	Арт. №
Только TEC29: AG 101, бак 15 л, пластик	9102900009
Только TEC29: AG 100, бак 20 л, нержавеющая сталь	9102900011
Только TEC29: AG 150, комплект шлангов для AG 100 / AG 101	9102900003
AG 125, гибкий металлорукав для удлинения выхлопного трубопровода, 5 м	9102900138
AG 128, уплотнение для TEC29	9102900040

6 Использование по назначению

Генераторы TEC29 (арт. № 9102900200) и TEC29LPG (арт. № 9102900179) предназначены для использования в жилых прицепах, кемперах и коммерческих автомобилях.

Генератор **не** пригоден для монтажа на плавсредствах.

Генератор создает чистое синусоидальное переменное напряжение 230 В/50 Гц, к которому могут быть присоединены потребители с общей продолжительной нагрузкой 2600 Вт. Качество тока пригодно даже для чувствительных потребителей (например, ПК).

Генератор может заряжать аккумуляторную батарею с напряжением 12 В.

7 Техническое описание

Генераторы TEC29 и TEC29LPG состоят из следующих основных узлов (рис. **1**, стр. 3):

- Двигатель внутреннего сгорания (ДВС) (1)
- Трехфазный генератор (2) с постоянными магнитами
- Инвертор (3)
- Присоединительная панель (4)
- Пульт дистанционного управления (5)

ДВС (1) приводит во вращение жестко соединенный с ним трехфазным генератором (2), который генерирует переменное напряжение.

Инвертор (3) преобразует это переменное напряжение в стабилизированное напряжение с 230 В и 50 Гц.

На присоединительной панели (4) расположены присоединительные зажимы, гнездо для соединительного кабеля с пультом дистанционного управления (5) и главный выключатель.

Общий вид всех деталей

- TEC29: рис. **10**, стр. 8.
- TEC29LPG: рис. **11**, стр. 9

Генератор предлагает следующие возможности:

- встроенное зарядное устройство для заряда присоединенной аккумуляторной батареи
- автоматический режим для автоматического заряда присоединенной батареи (при монтаже должен быть соответствующим образом сконфигурирован)

Органы управления на клеммной коробке

Клеммная коробка расположена на генераторе за защитным кожухом.

Поз. на рис. 2 , стр. 4	Описание	
1	Главный выключатель	Включает генератор в рабочее или нерабочее состояние.
2	Только TEC29: Защитный автомат	Электромеханическая защита от перегрузки.
3	Только TEC29LPG: Главный предохранитель	Срабатывает при перегрузке на стороне переменного напряжения. Плавкий предохранитель должен быть заменен после его срабатывания.
4	Только TEC29LPG: Предохранитель устройства для заряда аккумуляторных батарей	Срабатывает при перегрузке на стороне постоянного напряжения. Плавкий предохранитель должен быть заменен после его срабатывания.

Органы управления на пульте дистанционного управления

Пульте дистанционного управления расположен в салоне автомобиля.

Поз. на рис. 3, стр. 4	Описание	
1	Дисплей	Показывает сообщения о состоянии.
2	Выключатель « ϕ »	Включает и выключает пульт дистанционного управления, если главный выключатель находится в положении «I» или «1». Останавливает генератор.
3	Пусковая кнопка «START»	Запускает генератор, если пульт дистанционного управления включен и главный выключатель находится в положении «I» или «1».
4	Только TEC29: Указатель уровня бензина	Загорается при слишком низком уровне бензина.
5	Указатель уровня масла	Загорается при слишком низком уровне масла в двигателе.

Индикация на дисплее

Поз. на рис. 3, стр. 4	Описание	
6	Переменное напряжение	Текущее значение переменного напряжения
7	Длительная мощность	Текущее значение мощности присоединенных потребителей
8	Часы эксплуатации	Время, которое генератор находится в эксплуатации.
9	Постоянное напряжение	Напряжение батареи
10	Сообщения	Сообщение о состоянии генератора (см. гл. «Сообщения на дисплее» на стр. 292)

8 Управление генератором



ВНИМАНИЕ!

В течение первых 50 часов эксплуатации (фаза обкатки) не подвержайте генератор нагрузкам, превышающим 70 % максимальной длительной мощности.



УКАЗАНИЕ

После окончания фазы обкатки подвержайте генератор нагрузкам, не превышающим 75 % максимальной длительной мощности.

Вы можете увеличить срок службы генератора и максимизировать его мощность.

8.1 Общие указания по управлению



ОСТОРОЖНО! Опасность травмирования!

Не вставлять пальцы или какие-либо предметы в воздушные сопла или воздухозаборную решетку.

Соблюдайте следующие основные указания:

- Перед каждым использованием контролируйте уровень масла (гл. «Контроль уровня масла» на стр. 294).
- **Только TEC29LPG:** Перед каждым использованием контролируйте герметичность линии подачи газа, используя аэрозольный течеискатель.
- Даже незначительные, но постоянные перегрузки ведут к срабатыванию защитного выключателя (**TEC29**) или предохранителей (**TEC29LPG**).
- После использования оставьте генератор работать несколько минут без потребителей, прежде чем остановить его.
- Резкое торможение, ускорение и движение автомобиля на поворотах могут вызывать проблемы в насосной системе генератора и приводить к его непреднамеренному выключению.
- Если Вы не используете генератор длительное время, то запускайте его не реже чем каждые 30 дней и оставляйте его работать не менее чем на 15 минут.

8.2 Включение генератора в рабочее или нерабочее состояние

Главным выключателем (рис. **2** 1, стр. 4) на клеммной коробке генератор включается в рабочее или нерабочее состояние.

8.3 Включение и выключение пульта дистанционного управления

Выключателем (рис. **3** 2, стр. 4) на пульте дистанционного управления включается и выключается пульт дистанционного управления.

► Включите пульт дистанционного управления выключателем.

✓ На дисплее появляется: *GEN OFF*.

Дисплей выключается автоматически через 5 минут, если в течение этого времени не была нажата пусковая кнопка.

Нажатием пусковой кнопки можно снова включить дисплей.

✓ Теперь генератор может быть запущен.

8.4 Запуск генератора

Генератор может быть запущен только в том случае, если он включен в рабочее состояние и если включен пульт дистанционного управления.



УКАЗАНИЕ

На еще прогретом генераторе в целях пуска нажмите пусковую кнопку лишь коротко, на холодном генераторе – более длительно.

► Запустите генератор пусковой кнопкой (рис. **3** 3, стр. 4).

8.5 Остановка генератора

► Остановите генератор выключателем (рис. **3** 2, стр. 4).

Если генератор не останавливается: Выключите его главным выключателем (рис. **2** 1, стр. 4).

8.6 Сообщения на дисплее

Сообщение на дисплее Описание	Поведение генератора	Меры
<i>LOW BATTERY</i> Напряжение батареи пало ниже минимального значения для выполнения попыток пуска (9 В).	Генератор не запускается.	Зарядить батарею.
<i>OIL CHANGE</i> Достигнуто заданное значение часов эксплуатации для замены масла в двигателе.	Генератор продолжает работать.	Выполнить замену масла (см. гл. «Замена масла (рис. 6, стр. 6)» на стр. 299), затем повторно запустить генератор длительным нажатием пусковой кнопки.
<i>NO FUEL</i> Слишком низкий уровень бензина в баке.	Генератор продолжает работать.	Выполнить заправку.
<i>OIL ALERT</i> В двигателе отсутствует масло.	Генератор останавливается.	Долить масло (см. гл. «Контроль уровня масла» на стр. 294).
<i>GENERATOR ALERT!</i> Общее аварийное сообщение Пример: Неисправно контрольное кольцо дроссельной заслонки карбюратора (шаговый двигатель).	Генератор останавливается.	Проверить систему на основе таблицы «Неисправности, их причины и устранение». Если проблема не устраняется, то обратитесь в представительство изготовителя в Вашей стране (адреса указаны на обороте).
<i>OVERLOAD!</i> Потребители создают перегрузку на выходе.	Инвертор отключается, поэтому напряжение не отдается, но двигатель продолжает работать, пока не выключится.	Уменьшить присоединенную нагрузку и перезапустить генератор.
<i>SHORT CIRCUIT</i> Потребители создают короткое замыкание на выходе.	Инвертор отключается, поэтому напряжение не отдается, но двигатель продолжает работать, пока не выключится.	Проверить состояние присоединенных потребителей, затем перезапустить генератор.

Сообщение на дисплее Описание	Поведение генератора	Меры
<i>OVER TEMPERATURE</i> Перегрев	Инвертор отключается, поэтому напряжение не отдается, но двигатель продолжает работать, чтобы охладить генератор.	Дать генератору охладиться, подождать несколько минут, затем перезапустить генератор.
<i>LOW POWER ENGINE</i> Падение напряжения питания инвертора.	Генератор останавливается.	Уменьшить присоединенную нагрузку и перезапустить генератор.
<i>RESTART GEN?</i> Сообщение, которое появляется после остановки генератора вследствие перегрева.	Генератор выключен.	Для перезапуска генератора нажать пусковую кнопку.
<i>GEN CAL</i> Сообщение, которое появляется после пуска генератора; оно указывает на фазу калибровки, которая предшествует каждому пуску. Генератор еще не отдает напряжение.	Генератор вращается, но не создает напряжение.	Подождать некоторое время.
<i>GEN WAIT</i> Сообщение, которое появляется во время фазы между двумя попытками пуска.	Генератор выключен.	Подождать, пока сообщение не исчезнет, затем повторить попытку пуска.
<i>GEN ON</i> Нормальный режим работы генератора.	Нормальный режим работы	–
<i>GEN OFF</i>	Генератор находится в режиме ожидания и может быть запущен.	–
<i>AUTO?</i> Сообщение, которое появляется при включении автоматического режима	Устройство управления ожидает ввода данных от пользователя	В течение 20 секунд нажать пусковую кнопку и удерживать нажатой 3 секунды.
<i>AUTO</i> Автоматический режим	Автоматический режим включен.	–

8.7 Контроль уровня масла



ОСТОРОЖНО!

Горячее масло может вызывать ожоги.
Проверяйте уровень масла только на выключенном генераторе.



УКАЗАНИЕ

Генератор должен располагаться горизонтально.

Перед каждым использованием контролируйте уровень масла. При этом соблюдайте следующий порядок действий:

- Откройте заслонку генератора.
- Включите генератор главным выключателем (рис. **4** 1, стр. 5) в нерабочее состояние.
- Рассоедините соединение с положительным полюсом питающей батареи.
- Вытяните стержневой указатель уровня (рис. **4** 2, стр. 5) из наливного патрубка (рис. **4** 3, стр. 5).
- Очистите стержневой указатель уровня (рис. **4** 2, стр. 5) ветошью.
- Полностью вставьте стержневой указатель уровня (рис. **4** 2, стр. 5) в наливной патрубок (рис. **4** 3, стр. 5).
- Вытяните стержневой указатель уровня (рис. **4** 2, стр. 5) из наливного патрубка.
- Проверьте, находится ли уровень масла между меткой (максимальный уровень) и верхушкой указателя уровня (рис. **4** 4, стр. 5).
Если нет, то долейте масло.
- Полностью вставьте стержневой указатель уровня (рис. **4** 2, стр. 5) в наливной патрубок (рис. **4** 3, стр. 5).
- Соедините генератор с положительным полюсом питающей батареи.
- Включите генератор главным выключателем (рис. **4** 1, стр. 5) в рабочее состояние.
- Закройте заслонку генератора.

8.8 Включение автоматического режима

Вы можете включить автоматический режим только в следующих случаях:

- если он был сконфигурирован при монтаже генератора
- если автомобиль стоит и зажигание выключено
- если выключатель автоматического режима (если имеется) включен

В автоматическом режиме генератор автоматически включается при слишком низком напряжении присоединенной батареи и заряжает ее.

Генератор автоматически выключается, когда батарея полностью заряжена.

Включение автоматического режима выполняется следующим образом:

- Включите выключатель автоматического режима (если имеется).
- Выключите зажигание.
- Включите дистанционное управление нажатием выключателя.
- ✓ На дисплее появляется сообщение: *AUTO?*



УКАЗАНИЕ

Если на дисплее появляется *GEN OFF* вместо *AUTO?*, то это означает, что в Вашем генераторе не был сконфигурирован автоматический режим. В этом случае обратитесь в мастерскую, которая выполнила монтаж, и выполните дооснащение автоматическим режимом.

- В течение 20 секунд нажмите пусковую кнопку и удерживайте ее нажатой 3 секунды.
- ✓ На дисплее появляется сообщение: *AUTO*.
- Автоматический режим включен.



УКАЗАНИЕ

В автоматическом режиме Вы не можете запускать генератор пусковой кнопкой. Генератор запускается автоматически. Вы можете включать и выключать генератор выключателем автоматического режима (если имеется).

8.9 Выключение автоматического режима

➤ Включите выключатель автоматического режима (если имеется).

или...

➤ Включите зажигание.

✓ На дисплее появляется сообщение: *GEN OFF*.

9 Очистка генератора



ВНИМАНИЕ! Опасность повреждения!

- Категорически запрещается очищать генератор очистителем высокого давления. Попавшая вода может привести к повреждениям генератора.
 - Не использовать для очистки острые или твердые предметы или чистящие средства, т. к. это может привести к повреждениям генератора.
 - Для очистки генератора используйте только воду с нейтральным чистящим средством. Категорически запрещается использовать бензин, дизельное топливо или растворители.
- Периодически очищайте корпус генератора влажной тряпкой.
- Регулярно удаляйте загрязнения с вентиляционных отверстий генератора. Следите за тем, чтобы при этом не повредить пластины генератора.

10 Техническое обслуживание генератора

10.1 Таблица технического обслуживания



ПРЕДУПРЕЖДЕНИЕ!

Доверяйте техническое обслуживание только специалистам, знакомым с соответствующими стандартами и предписаниями. Неправильно выполненное техническое обслуживание может приводить к серьезным опасностям.



УКАЗАНИЕ

Выполняйте следующие работы по техническому обслуживанию с указанной периодичностью или через указанное число часов эксплуатацию, в зависимости того, какой срок наступает раньше.

Интервал	Проверка/техническое обслуживание
В первый месяц или через 20 часов	<ul style="list-style-type: none"> ➤ Замените масло. ➤ Выполните техническое обслуживание воздушного фильтра (гл. «Техническое обслуживание воздушного фильтра (рис. 7, стр. 6)» на стр. 300).
Каждые 3 месяца или через 50 часов	<ul style="list-style-type: none"> ➤ Выполните техническое обслуживание воздушного фильтра (гл. «Техническое обслуживание воздушного фильтра (рис. 7, стр. 6)» на стр. 300).
Каждые 6 месяцев или через 100 часов	<ul style="list-style-type: none"> ➤ Замените масло. ➤ Выполните техническое обслуживание свечи зажигания (гл. «Техническое обслуживание свечи зажигания» на стр. 302).
Ежегодно или каждые 300 часов	<ul style="list-style-type: none"> ➤ Выполните техническое обслуживание клапанов. ➤ Только TEC29: Выполните техническое обслуживание топливного бака и топливного фильтра. ➤ Выполните техническое обслуживание виброгасителя.
Каждые 2 года	<ul style="list-style-type: none"> ➤ Только TEC29: Выполните техническое обслуживание топливопроводов. ➤ Только TEC29LPG: Выполните техническое обслуживание газопроводов.

10.2 Подготовка к техническому обслуживанию



ОСТОРОЖНО!

При всех работах по техническому обслуживанию учитывайте следующее:

- Генератор не должен находиться в работе.
- Все детали должны охладиться.

- Включите генератор главным выключателем (рис. **4** 1, стр. 5) в нерабочее состояние.
- Рассоедините соединение с положительным полюсом питающей батареи.
- Откройте заслонку генератора.

Для проведения технического обслуживания Вы можете вытянуть генератор (рис. **5**, стр. 5):



ПРЕДУПРЕЖДЕНИЕ!

Опорная плита с генератором очень тяжелая (> 40 кг) и может выпасть из корпуса, если слишком далеко вытянуть ее.

- Отпустите крепежные винты (1).
- Вытяните опорную плиту (2) с генератором из корпуса (3).

10.3 Завершение технического обслуживания

- Соедините генератор с положительным полюсом питающей батареи.
- Включите генератор главным выключателем (рис. **4** 1, стр. 5) в рабочее состояние.
- Закройте заслонку генератора.

10.4 Замена масла (рис. 6, стр. 6)



ОСТОРОЖНО!

Горячее масло может вызывать ожоги.



ВНИМАНИЕ!

Обязательно сдавайте отработавшее масло в специальные компании по утилизации или переработке и соблюдайте законы по охране окружающей среды, действующие в Вашей стране.

Можно использовать следующие масла:

- Масло для четырехтактных двигателей класса API SG или SF.
- Масло класса SAE 10W-30 (возможно использование при любых температурах).
- Сезонное масло.
Выберите подходящую вязкость масла в зависимости от средней местной температуры.

Замена масла выполняется следующим образом:

- Дайте генератору прогреться три – пять минут, чтобы масло стало более жидким и могло быть слито быстро и полностью.
- Установите подходящую емкость под пробку сливного отверстия (1).
- Вывинтите пробку сливного отверстия (1).
- ✓ Масло стекает.
- Залейте свежее масло в маслосливной патрубков.
Количество масла составляет: 0,6 л.

10.5 Техническое обслуживание воздушного фильтра (рис. 7, стр. 6)



ПРЕДУПРЕЖДЕНИЕ! Опасность взрыва!

Для очистки воздушного фильтра не используйте дизельное топливо или растворители с низкой температурой испарения. Они могут воспламеняться или взрываться.



ВНИМАНИЕ!

Не допускается работа двигателя без воздушного фильтра. В противном случае двигатель быстро изнашивается.



УКАЗАНИЕ

Если воздушный фильтр загрязнен, то воздушный поток к карбюратору уменьшается. Для обеспечения хорошей работы карбюратора следует регулярно контролировать состояние фильтра. Контролируйте его соответственно чаще, если генератор работает в условиях сильной запыленности.

- ▶ Подготовьте выполнение технического обслуживания и слегка вытяните генератор из корпуса: см гл. «Подготовка к техническому обслуживанию» на стр. 298.
- ▶ Снимите барашковую гайку (1) и кожух фильтра (2).
- ▶ Снимите барашковую гайку (3).
- ▶ Снимите воздушный фильтр (4).
Воздушный фильтр состоит из двух элементов: одного губчатого фильтра и одного бумажного фильтра.
- ▶ Тщательно проконтролируйте состояние обоих фильтрующих элементов. Замените поврежденные фильтрующие элементы.
- ▶ Очистите неповрежденные фильтрующие элементы: см. следующие разделы.
- ▶ Завершите техническое обслуживание: см. гл. «Завершение технического обслуживания» на стр. 298.

Очистка губчатого фильтра

- Промойте губку в растворе нейтрального моющего средства и тщательно прополощите ее.
- Дайте губке полностью высохнуть.
- Пропитайте губку чистым моторным маслом.
- Выжмите излишнее масло.

Очистка бумажного фильтра

- Очистите бумагу от загрязнений постукиванием о твердую поверхность или продуйте фильтр сжатым воздухом изнутри наружу.
Не очищайте бумагу щеткой, т. к. вследствие этого грязь проникнет в волокна воздушного фильтра.
- В случае сильного загрязнения замените бумажный фильтр.

10.6 Техническое обслуживание свечи зажигания



ВНИМАНИЕ!

- Тщательно затяните свечу зажигания. Неплотно затянутая свеча зажигания может стать очень горячей и вызвать повреждение двигателя.
- Используйте только равноценные свечи зажигания.
- Когда Вы устанавливаете новую свечу зажигания, то затяните ее на 1/2 оборота, если она плотно прилегает к концевой шайбе. При использовании бывших в употреблении свечей зажигания достаточно 1/8 или 1/4 оборота.

- Подготовьте выполнение технического обслуживания: см. гл. «Подготовка к техническому обслуживанию» на стр. 298.
- Снимите свечу зажигания.
- Вывинтите свечу зажигания свечным ключом.
- Выполните визуальный контроль свечи зажигания.
Если свеча зажигания явно изношена или изолятор поврежден или обломан, то замените свечу зажигания.
Если свеча зажигания лишь загрязнена, то очистите ее стальной щеткой.
- Измерьте расстояние между электродами толщиномером (рис. **8**, стр. 7). Оно должно составлять 0,7 – 0,8 мм и, при необходимости, может быть изменено путем изгиба электродов.
- Убедитесь в целостности уплотнения свечи зажигания.
- В этом случае навинтите свечу зажигания вручную, чтобы предотвратить повреждение резьбы.
- Затяните свечу зажигания свечным ключом так, чтобы была сжата подкладная шайба.
- Завершите техническое обслуживание: см. гл. «Завершение технического обслуживания» на стр. 298.

11 Устранение неисправностей

Неисправность	Причина	Устранение
При нажатии выключателя пульт дистанционного управления не включается.	Разряжена стартерная батарея.	➤ Зарядите стартерную батарею.
	Оборван кабель или вытянута штекер.	➤ Обратитесь в уполномоченную мастерскую.
	Оборван кабель для соединения генератора с корпусом или сработал предохранитель (если имеется).	
При нажатии пусковой кнопки стартер не вращается.	Разряжена стартерная батарея.	➤ Зарядите стартерную батарею.
	Главный выключатель находится в положении «0».	➤ Установите главный выключатель в положение «I» или «1».
	Загрязнен вал стартера.	➤ Очистите вал стартера.
	В двигателе слишком много масла.	➤ Слейте масло.
	Поврежден инвертор.	➤ Обратитесь в уполномоченную мастерскую.
	Оборван кабель или вытянута штекер.	
	Оборван кабель для соединения генератора с корпусом или сработал предохранитель (если имеется).	
Отсутствует электропитание стартера.		

Неисправность	Причина	Устранение
Стартер вращается, но генератор не запускается.	Нет бензина/СНГ.	➤ Долейте бензин/СНГ.
	На свечу зажигания не поступает напряжение.	➤ Проверьте электрические соединения.
	В карбюратор не поступает бензин.	➤ Проверьте карбюратор.
	Засорен воздухозаборник.	➤ Проверьте воздушный фильтр (см. гл. «Техническое обслуживание воздушного фильтра (рис. 7, стр. 6)» на стр. 300).
	Температура окружающей среды составляет менее 0 °С	➤ Используйте чистый пропан.
	Поврежден инвертор.	➤ Обратитесь в уполномоченную мастерскую.
	Оборван кабель или вытянут штекер.	
Генератор склонен к выключению.	В двигателе слишком много масла.	➤ Слейте масло.
	Нагрузка свыше 2,6 кВт.	➤ Отключите потребителей.
	В карбюратор не поступает бензин.	➤ Проверьте карбюратор.
	Засорен воздухозаборник.	➤ Проверьте воздушный фильтр (см. гл. «Техническое обслуживание воздушного фильтра (рис. 7, стр. 6)» на стр. 300).
	Поврежден инвертор.	➤ Обратитесь в уполномоченную мастерскую.
	Заблокирован электромагнит.	
Загрязнен воздушный фильтр.		
Генератор запустился, но не создает напряжение.	Поврежден инвертор.	➤ Обратитесь в уполномоченную мастерскую.
	Неисправен шаговый двигатель или оборван кабель.	
	Заблокирован электромагнит.	
	Заблокирована дроссельная заслонка.	

Неисправность	Причина	Устранение
Генератор запускается с сильным ускорением, а затем останавливается, появляется сообщение «GENERATOR ALERT».	Поврежден инвертор. Неисправен шаговый двигатель или оборван кабель.	➤ Обратитесь в уполномоченную мастерскую.
Созданное напряжение не стабильно.	Поврежден инвертор. Неисправен шаговый двигатель или оборван кабель.	➤ Обратитесь в уполномоченную мастерскую.

12 Гарантия

Действителен установленный законом срок гарантии. Если продукт неисправен, обратитесь в сервисную организацию в Вашей стране (адреса см. на оборотной стороне инструкции).

Наши специалисты с радостью помогут Вам и обсудят с Вами дальнейшие шаги.

13 Утилизация

- По возможности, выкидывайте упаковочный материал в мусор, подлежащий вторичной переработке.



Если Вы окончательно выводите продукт из эксплуатации, то получите информацию в ближайшем центре по вторичной переработке или в торговой сети о соответствующих предписаниях по утилизации.





Защищайте окружающую среду!

Аккумуляторы и батареи запрещается выбрасывать в бытовой мусор.

Неисправные аккумуляторы и разряженные батареи сдавайте в торговую организацию или в специальные сборные пункты.

14 Технические данные

	Dometic TEC29	Dometic TEC29LPG
Арт. №:	9102900200	9102900179
Номинальное выходное напряжение:	230 В~ / 50 Гц	
Макс. длительная мощность (при 25 °С на уровне моря):	2600 Вт	
Выходное напряжение устройства для заряда аккумуляторных батарей:	12 В---	
Макс. выходной ток устройства для заряда аккумуляторных батарей:	10 А	
Диапазон рабочих температур:	-15 °С ... +50 °С	от -15 °С до +50 °С (в зависимости от содержания пропана в СНГ)
Коэффициент нелинейных искажений:	1 %	
Топливо:	Нормальный бензин ROZ 91	Сжиженный газ СНГ
Потребляемая мощность:	300 г/кВтч макс 1,2 л/ч	408 г/кВтч макс 1,0 кг/ч
Мощность двигателя:	4,0 кВт (5,5 л. с.)	
Гарантированный уровень шума:	86 дБ (А)	
Уровень шума на расстоянии 7 м:	54 – 59 дБ (А)	
Размеры:	см. рис. 9 , стр. 7	
Вес:	44 кг	
Испытания/сертификат:	 	

Przed uruchomieniem urządzenia należy uważnie przeczytać niniejszą instrukcję. Instrukcję należy zachować. W razie przekazywania urządzenia należy ją udostępnić kolejnemu nabywcy.

Spis treści

1	Objaśnienie symboli	307
2	Zasady bezpieczeństwa	308
3	Odbiorcy instrukcji	310
4	Zakres dostawy	311
5	Osprzęt	311
6	Użytkowanie zgodne z przeznaczeniem	312
7	Opis techniczny	312
8	Obsługa generatora	315
9	Czyszczenie generatora	321
10	Konserwacja generatora	322
11	Usuwanie usterek	328
12	Gwarancja	330
13	Utylizacja	330
14	Dane techniczne	331

1 Objąśnienie symboli



OSTRZEŻENIE!

Wskazówka dot. bezpieczeństwa: Nieprzestrzeganie może prowadzić do śmierci lub ciężkich obrażeń ciała.



OSTROŻNIE!

Wskazówka dot. bezpieczeństwa: Nieprzestrzeganie może prowadzić do obrażeń ciała.

**UWAGA!**

Nieprzestrzeżenie może prowadzić do powstania szkód materialnych i zakłóceń w działaniu produktu.

**WSKAZÓWKA**

Informacje uzupełniające dot. obsługi produktu.

► **Obsługa:** Ten symbol wskazuje, że użytkownik musi podjąć jakieś działanie. Wymagane działania zostały opisane krok po kroku.

✓ Ten symbol opisuje wynik działania.

Rys. 1 5, strona 3: Ten odnośnik wskazuje element na rysunku, w tym przypadku „Pozycję 5 na rysunku 1 na stronie 3”.

2 Zasady bezpieczeństwa

Producent nie odpowiada za szkody spowodowane:

- uszkodzeniem produktu w sposób mechaniczny lub spowodowany przeciążeniami elektrycznymi
- zmianami dokonanyymi w produkcie bez wyraźnej zgody producenta
- użytkowaniem w celach innych niż opisane w niniejszej instrukcji

Nie ponosi on odpowiedzialności w szczególności za szkody pośrednie, które mogą powstać w wyniku awarii generatora.

Należy przestrzegać podstawowych zasad bezpieczeństwa obowiązujących przy używaniu urządzeń elektrycznych w celu ochrony przed:

- porażeniem prądem
- pożarem
- obrażeniami ciała

2.1 Podstawowe zasady bezpieczeństwa

**OSTRZEŻENIE!**

- **Urządzenia elektryczne nie są zabawkami dla dzieci!**
Dzieci nie są w stanie ocenić zagrożeń, które mogą one powodować. Nie należy pozwalać dzieciom na korzystanie z urządzeń elektrycznych bez nadzoru.

- Osoby (łącznie z dziećmi), które z powodu swych zdolności psychofizycznych, sensorycznych lub intelektualnych bądź nie-doświadczenia lub niewiedzy nie są w stanie bezpiecznie używać urządzenia, nie powinny korzystać z niego bez nadzoru odpowiedzialnej osoby.
- Urządzenie należy wykorzystywać zgodnie z jego przeznaczeniem.
- Nie należy dokonywać żadnych modyfikacji ani przebrojeń urządzenia.
- Instalacji, konserwacji i napraw generatora mogą dokonywać tylko specjaliści, którzy zapoznali się ze związanymi z tym zagrożeniami oraz stosownymi przepisami. Niefachowe naprawy mogą spowodować poważne niebezpieczeństwo. W celu przeprowadzenia naprawy należy zwrócić się do filii producenta działającej w danym kraju (adresy na odwrocie).
- Spaliny zawierają tlenek węgla, który jest bardzo trującym, bezzapachowym oraz bezbarwnym gazem. Nie wolno wdychać spalin. Pracującego silnika generatora nie wolno pozostawiać w zamkniętym garażu lub pomieszczeniu bez okien.



OSTROŻNIE!

- Generators można używać wyłącznie przy zamkniętej klapie.
- Wszystkie materiały łatwopalne, takie jak benzyna, lakiery i rozpuszczalniki, należy usunąć z otoczenia generatora.
- Należy upewnić się, że nagrzewające się części generatora nie stykają się z łatwopalnymi materiałami.
- Generator należy zaopatrywać w paliwo tylko wtedy, gdy jest on wyłączony i gdy zapewniona jest dobra wentylacja. Benzyna i gaz ciekły są substancjami łatwopalnymi i mogą spowodować wybuch.
- Tankowanie generatora przy uruchomionym silniku w sytuacji, gdy zbiornik znajduje się w jego pobliżu, jest niedozwolone.
- **Tylko TEC29:** W przypadku rozlania benzyny należy ją dobrze zetrzeć i odczekać przed włączeniem silnika, aż znikną opary.
- **Tylko TEC29LPG:** Należy porównać wartość ciśnienia umieszczonej na tabliczce znamionowej z wartością ciśnienia znajdującą się na butli z gazem ciekłym.
- **Tylko TEC29LPG:** Butle z gazem płynnym **nigdy** nie mogą być przechowywane w miejscach bez dostępu powietrza lub pod powierzchnią ziemi (w lekkowatych nieckach).

- **Tylko TEC29LPG:** Butle z gazem płynnym należy chronić przed nasłonecznieniem. Temperatura nie może przekraczać 50 °C.
- Generators i przewodów nie wolno dotykać wilgotnymi rękami.
- Bezpieczniki lub automatyczne wyłączniki ciepłe należy wymieniać na urządzenia posiadające te same dane techniczne.
- Generators nie należy uruchamiać w trybie automatycznym, jeśli znajduje się on w pobliżu źródeł zapłonu (np. stacji benzynowych, na suchym terenie z zagrożeniem pożarowym lasu).

**UWAGA!**

- **Tylko TEC29:** Nie należy napełniać w zbyt dużym stopniu zbiornika benzyny. W szyjce zbiornika nie może znajdować się paliwo. Należy sprawdzić, czy pokrywa jest prawidłowo zamknięta.

2.2 Bezpieczeństwo podczas eksploatacji urządzenia

**OSTRZEŻENIE!**

- Podczas wykonywania prac przy urządzeniu należy zawsze odłączyć je od zasilania.

**UWAGA!**

- Nie wolno używać urządzenia z uszkodzoną obudową i przewodami.

3 Odbiorcy instrukcji

Niniejsza instrukcja obsługi przeznaczona jest dla użytkowników generatora.

4 Zakres dostawy

TEC29

Nazwa	Numer produktu
Generator TEC29	9102900200
AG 102, przekaźnik przełączeniowy do aktywacji przełącznika pierwszeństwa	9102900013
Instrukcja montażu	
Instrukcja obsługi	

TEC29LPG

Nazwa	Numer produktu
Generator TEC29LPG	9102900179
AG 102, przekaźnik przełączeniowy do aktywacji przełącznika pierwszeństwa	9102900013
Instrukcja montażu	
Instrukcja obsługi	

5 Osprzęt

Elementy dostępne jako osprzęt (nieobjęte zakresem dostawy):

Nazwa części	Numer produktu
Tylko TEC29: AG 101, Zbiornik 15 l, tworzywo sztuczne	9102900009
Tylko TEC29: AG 100, Zbiornik 20 l, stal szlachetna	9102900011
Tylko TEC29: AG 150, Zestaw węży do AG 100 / AG 101	9102900003
AG 125, Elastyczny wąż metalowy do przedłużenia przewodu odprowadzającego gazy, 5 m	9102900138
AG 128, uszczelka dla TEC29	9102900040

6 Użytkowanie zgodne z przeznaczeniem

Generatory TEC29 (nr produktu 9102900200) oraz TEC29LPG (nr produktu 9102900179) zostały zaprojektowane do zastosowania w przyczepach i samochodach kempingowych oraz pojazdach wykorzystywanych komercyjnie.

Generator **nie nadaje się** do zastosowania w pojazdach wodnych.

Generator wytwarza czyste zmienne napięcie sinusoidalne 230 V/50 Hz, do którego można podłączyć odbiorniki o łącznym obciążeniu stałym 2600 W. Jakość prądu nadaje się także dla czułych odbiorników (np. komputerów).

Generator może ładować akumulator 12 V.

7 Opis techniczny

Generatory TEC29 i TEC29LPG składają się z następujących głównych elementów (rys. **1**, strona 3):

- Silnik spalinowy tłokowy (1)
- Generator trójfazowy (2) z magnesami stałymi
- Inwerter (3)
- Panel przyłączeniowy (4)
- Pilot (5)

Silnik spalinowy tłokowy (1) wprawia w obroty połączony z nim na stałe generator trójfazowy (2), który wytwarza napięcie przemienne.

Inwerter (3) przekształca to napięcie przemienne w stabilne napięcie o wartości 230 V i 50 Hz.

Na panelu przyłączeniowym (4) znajdują się zaciski przyłączeniowe, gniazdo do przewodu przyłączeniowego do pilota (5) i wyłącznik główny.

Przegląd wszystkich części:

- TEC29: rys. **10**, strona 8.
- TEC29LPG: rys. **11**, strona 9

Generator zapewnia następujące możliwości:

- Zintegrowana ładowarka do ładowania podłączonego akumulatora
- Tryb automatyczny umożliwiający automatyczne ładowanie podłączonego akumulatora (wymaga stosownej konfiguracji w trakcie montażu).

Elementy obsługi przy skrzynce przyłączeniowej

Skrzynka przyłączeniowa znajduje się przy generatorze za pokrywą.

Poz. na rys. 2 , strona 4	Opis	
1	Główny wyłącznik	Umożliwia włączenie lub wyłączenie generatora.
2	Tylko TEC29: Przełącznik ochronny	Elektromechaniczna ochrona przed przeciążeniem.
3	Tylko TEC29LPG: Główny bezpiecznik	Włącza się w przypadku przeciążenia po stronie napięcia przemiennego. Wówczas należy wymienić bezpiecznik topikowy.
4	Tylko TEC29LPG: Bezpiecznik ładowarki akumulatora	Włącza się w przypadku przeciążenia po stronie napięcia stałego. Wówczas należy wymienić bezpiecznik topikowy.

Elementy obsługi na pilocie

Pilot jest umieszczony wewnątrz pojazdu.

Poz. na rys. 3 , strona 4	Opis	
1	Wyświetlacz	Pokazuje komunikaty o statusie.
2	Włącznik/wyłącznik „ ϕ ”	Włącza i wyłącza pilota, gdy wyłącznik główny znajduje się w pozycji „I” lub „1”. Zatrzymuje generator.
3	Przycisk uruchamiania „START”	Uruchamia generator, gdy włączony jest pilot, a wyłącznik główny znajduje się w pozycji „I” lub „1”.
4	Tylko TEC29: Wskaźnik poziomu benzyny	Świeci się w przypadku rezerwowego poziomu benzyny.
5	Wskaźnik poziomu oleju	Świeci się, gdy poziom oleju w silniku jest za niski.

Wskazania wyświetlacza

Poz. na rys. 3 , strona 4	Opis	
6	Napięcie przemienne	Bieżące napięcie wyjściowe
7	Moc ciągła	Bieżąca moc podłączonych odbiorników
8	Godziny pracy	Czas, przez który działa generator
9	Napięcie stałe	Napięcie akumulatora
10	Komunikaty	Komunikat o statusie generatora (zob. rozdz. „Komunikaty wyświetlane na wyświetlaczu” na stronie 317)

8 Obsługa generatora



UWAGA!

W ciągu pierwszym 50 godzin pracy (w fazie początkowej) nie należy obciążać generatora na poziomie powyżej 70 % maksymalnej wydajności trwałej.



WSKAZÓWKA

Po fazie początkowej generator należy obciążać do poziomu ok. 75 % maksymalnej wydajności trwałej.

W taki sposób możliwe jest wydłużenie trwałości generatora oraz maksymalizacja jego wydajności.

8.1 Podstawowe wskazówki dotyczące obsługi



OSTROŻNIE! Ryzyko obrażeń!

Nie należy wkładać palców ani żadnych przedmiotów w dysze powietrzne lub kratki wlotowe.

Należy stosować się do następujących podstawowych wskazówek:

- Przed każdym użyciem należy kontrolować stan oleju (rozdz. „Kontrola poziomu oleju” na stronie 319).
- **Tylko TEC29LPG:** Przed każdym użyciem należy kontrolować za pomocą środka do wykrywania nieszczelności w sprayu szczelność doprowadzenia gazu.
- Nawet niskie przeciążenia powodują zadziałanie wyłącznika ochronnego (**TEC29**) lub bezpieczników (**TEC29LPG**).
- Po użyciu, przed zatrzymaniem generatora, należy pozwolić mu działać przez kilka minut bez odbiorników.
- Ostre hamowanie, przyspieszanie i jazda na zakrętach może spowodować problemy w systemie pompowania generatora i jego niezamierzone wyłączenie.
- W przypadku niekorzystania z generatora przez dłuższy czas, należy uruchamiać go co najmniej co 30 dni i pozwolić, by pracował przez minimum 15 minut.

8.2 Włączanie lub wyłączanie generatora

Za pomocą wyłącznika głównego (rys. **2** 1, strona 4) znajdującego się przy skrzynce przyłączeniowej można włączyć lub wyłączyć generator.

8.3 Włączanie i wyłączanie pilota

Za pomocą włącznika/wyłącznika (rys. **3** 2, strona 4) na pilocie można włączyć oraz wyłączyć pilota.

➤ Włączyć pilota za pomocą włącznika/wyłącznika.

✓ Na wyświetlaczu pojawi się informacja: *GEM OFF*.

Wyświetlacz wyłączy się automatycznie po 5 minutach, jeśli w tym czasie nie zostanie naciśnięty przycisk rozruchu.

Naciśnięcie przycisku rozruchu powoduje ponowne włączenie wyświetlacza.

✓ Teraz można uruchomić generator.

8.4 Uruchamianie generatora

Generator można uruchomić tylko wtedy, gdy jest gotowy do pracy i gdy jest włączony pilot.



WSKAZÓWKA

Jeśli generator jest jeszcze ciepły, aby wykonać rozruch, należy krótko nacisnąć przycisk uruchamiania, a jeśli jest zimny – dłużej.

➤ Należy uruchomić generator za pomocą przycisku uruchamiania (rys. **3** 3, strona 4).

8.5 Zatrzymanie generatora

➤ Generator należy zatrzymać za pomocą włącznika/wyłącznika (rys. **3** 2, strona 4).

Jeśli się nie zatrzyma: Należy go wyłączyć za pomocą wyłącznika głównego (rys. **2** 1, strona 4).

8.6 Komunikaty wyświetlane na wyświetlaczu

Komunikat Opis	Zachowanie generatora	Środki
LOW BATTERY Napięcie akumulatora spadło poniżej minimalnej wartości, przy której można podjąć próbę uruchomienia (9 V).	Generator nie uruchamia się.	Należy naładować akumulator.
OIL CHANGE Liczba godzin pracy osiągnęła wartość zdefiniowaną dla wymiany oleju silnikowego.	Generator nadal działa.	Należy wymienić olej (zob. rozdz. „Wymiana oleju (rys. 6, strona 6)” na stronie 324), a następnie ponownie uruchomić generator, przytrzymując wciśnięty przycisk uruchamiania.
NO FUEL Benzyna w zbiorniku znajduje się na rezerwowym poziomie.	Generator nadal działa.	Należy zatankować.
OIL ALERT Brak oleju silnikowego.	Generator zatrzymuje się.	Uzupełnić olej (zob. rozdz. „Kontrola poziomu oleju” na stronie 319).
GENERATOR ALERT! Ogólny komunikat alarmowy Przykład: Pierścień kontrolny kłapy przepustnicy gaźnika (silnik skokowy) jest uszkodzony.	Generator zatrzymuje się.	System należy sprawdzić za pomocą tabeli Zakłócenia, przyczyny i środki zaradcze. Jeśli problem nadal istnieje, należy zwrócić się do filii producenta działającej w danym kraju (adresy na odwrocie).
OVERLOAD! Odbiorniki generują przeciążenie na wyjściu.	Inwerter wyłącza się i dlatego napięcie nie jest już oddawane, jednakże silnika nadal działa do momentu zgaśnięcia.	Należy zmniejszyć podłączone obciążenie i ponownie uruchomić generator.
SHORT CIRCUIT Odbiorniki generują zwarcie na wyjściu.	Inwerter wyłącza się i dlatego napięcie nie jest już oddawane, jednakże silnika nadal działa do momentu zgaśnięcia.	Należy sprawdzić stan podłączonych odbiorników i ponownie uruchomić generator.

Komunikat Opis	Zachowanie generatora	Środki
<i>OVER TEMPERATURE</i> Przegrzanie	Inwerter wyłącza się i dlatego napięcie nie jest już oddawane, jednakże silnika nadal działa, aby schłodzić generator.	Należy odczekać kilka minut, aż generator wystygnie, a następnie ponownie go uruchomić.
<i>LOW POWER ENGINE</i> Spadek napięcia zasilania inwertera.	Generator zatrzymuje się.	Należy zmniejszyć podłączone obciążenie i ponownie uruchomić generator.
<i>RESTART GEN?</i> Komunikat, który pojawia się po zatrzymaniu generatora z powodu przegrzania.	Generator jest wyłączony.	Aby ponownie go włączyć, należy nacisnąć przycisk uruchamiania.
<i>GEN CAL</i> Komunikat, który pojawia się przy uruchamianiu generatora; informuje o fazie kalibracji poprzedzającej każde uruchomienie. Generator nie oddaje jeszcze napięcia.	Generator obraca się, nie generując jedyna napięcia.	Należy poczekać przez chwilę.
<i>GEN WAIT</i> Komunikat, który pojawia się w przerwie pomiędzy dwiema próbami uruchomienia.	Generator jest wyłączony.	Należy odczekać, aż komunikat zniknie, a następnie jeszcze raz podjąć próbę włączenia.
<i>GEN ON</i> Zwykły tryb pracy generatora.	Tryb zwykły	–
<i>GEN OFF</i>	Generator znajduje się w trybie czuwania i może zostać uruchomiony.	–
<i>AUTO?</i> Komunikat, który pojawia się przy włączaniu trybu automatycznego	Układ sterowanie czeka na wprowadzenie danych przez użytkownika	Należy w ciągu 20 sekund nacisnąć przycisk uruchamiania i przytrzymać go przez 3 sekundy wciśniętym.
<i>AUTO</i> Tryb automatyczny	Tryb automatyczny jest wyłączony.	–

8.7 Kontrola poziomu oleju



OSTROŻNIE!

Gorący olej może spowodować oparzenia. Poziom oleju należy sprawdzać tylko przy wyłączonym generatorze.



WSKAZÓWKA

Generator musi stać w pozycji poziomej.

Stan oleju należy kontrolować przed każdym użyciem. W tym celu należy postępować w następujący sposób:

- ▶ Należy otworzyć klapę generatora.
- ▶ Należy go wyłączyć za pomocą wyłącznika głównego (rys. 4 1, strona 5).
- ▶ Należy zlikwidować połączenie z biegunem dodatnim akumulatora.
- ▶ Należy wyjąć miarkę (rys. 4 2, strona 5) z króćca wlewowego (rys. 4 3, strona 5).
- ▶ Następnie należy wyczyścić miarkę (rys. 4 2, strona 5) ściereczką.
- ▶ Kolejnym krokiem jest włożenie całej miarki (rys. 4 2, strona 5) do króćca wlewowego (rys. 4 3, strona 5).
- ▶ Następnie należy wyjąć miarkę (rys. 4 2, strona 5) z króćca wlewowego.
- ▶ Należy sprawdzić, czy poziom oleju mieści się pomiędzy nacięciem (maksymalny poziom napełnienia) a czubkiem miarki (rys. 4 4, strona 5). Jeśli nie, należy uzupełnić olej.
- ▶ Kolejnym krokiem jest włożenie całej miarki (rys. 4 2, strona 5) do króćca wlewowego (rys. 4 3, strona 5).
- ▶ Następnie należy połączyć generator z biegunem dodatnim akumulatora.
- ▶ Należy włączyć generator za pomocą wyłącznika głównego (rys. 4 1, strona 5).
- ▶ Na koniec należy zamknąć klapę generatora.

8.8 Włączanie trybu automatycznego

Tryb automatyczny można włączyć tylko wówczas, gdy:

- został on skonfigurowany podczas montażu generatora,
- samochód nie jest w ruchu i zapłon jest wyłączony,
- włączony jest włącznik trybu automatycznego (jeśli istnieje).

W trybie automatycznym generator zaskakuje automatycznie, kiedy napięcie podłączonego akumulatora jest zbyt niskie, i rozpoczyna ładowanie akumulatora.

Generator wyłącza się automatycznie wówczas, gdy akumulator jest w pełni naładowany.

Aby włączyć tryb automatyczny, należy wykonać następujące kroki:

- Należy włączyć włącznik trybu automatycznego (jeśli istnieje).
- Należy wyłączyć zapłon.
- Należy włączyć pilota, naciskając włącznik/wyłącznik.
- ✓ Na wyświetlaczu pojawi się następujące wskazanie: *AUTO?*



WSKAZÓWKA

Jeśli wyświetli się wskazanie *GEN OFF* zamiast *AUTO?*, będzie to oznaczało, że w generatorze nie został skonfigurowany tryb automatyczny. Wówczas należy zwrócić się do warsztatu specjalistycznego, który dokonywał montażu i zlecić mu stosowną konfigurację.

- Należy nacisnąć w ciągu 20 sekund przycisk uruchamiania i przytrzymać go wciśniętym przez 3 sekundy.
- ✓ Na wyświetlaczu pojawi się następujące wskazanie: *AUTO*.
- Tryb automatyczny jest włączony.



WSKAZÓWKA

W trybie automatycznym generatora nie można uruchomić za pomocą przycisku uruchamiania. Generator uruchamia się automatycznie. Generator można włączyć i wyłączyć za pomocą włącznika trybu automatycznego (jeśli istnieje).

8.9 Wyłączanie trybu automatycznego

➤ Należy wyłączyć wyłącznik trybu automatycznego (jeśli istnieje).

lub

➤ Należy włączyć zapłon.

✓ Na wyświetlaczu pojawi się następujące wskazanie: *GEN OFF*.

9 Czyszczenie generatora



UWAGA! Niebezpieczeństwo uszkodzenia!

- Generators nie należy czyścić za pomocą urządzenia wysokociśnieniowego. Wciekająca woda może go uszkodzić.
- Zabronione jest używanie do czyszczenia ostrych i twardych przedmiotów lub środków czyszczących, ponieważ mogą one uszkodzić generator.
- Do czyszczenia generatora należy stosować jedynie wodę z łagodnym środkiem czyszczącym. W żadnym wypadku nie należy stosować benzyny, oleju napędowego ani rozpuszczalników.

➤ Obudowę należy czyścić od czasu do czasu wilgotną ściereczką.

➤ Należy regularnie usuwać zanieczyszczenia z otworów wentylacyjnych generatora, uważając przy tym, aby nie uszkodzić płytek generatora.

10 Konserwacja generatora

10.1 Tabela konserwacji



OSTRZEŻENIE!

Wykonanie prac konserwacyjnych należy powierzać wyłącznie specjalistom, którzy posiadają wiedzę na temat stosownych przepisów. Niefachowe naprawy mogą spowodować poważne niebezpieczeństwo.



WSKAZÓWKA

Realizację prac należy zlecać w podanych odstępach czasowych lub po podanej liczbie godzin pracy, w zależności od tego, który warunek zaistnieje jako pierwszy.

Interwał	Kontrola/Konserwacja
W pierwszym miesiącu lub po 20 godzinach	<ul style="list-style-type: none"> ➤ Należy wymienić olej. ➤ Należy wykonać konserwację filtra powietrza (rozdz. „Konserwacja filtra powietrza (rys. 7, strona 6)” na stronie 325).
Co 3 miesiące lub po 50 godzinach	<ul style="list-style-type: none"> ➤ Należy wykonać konserwację filtra powietrza (rozdz. „Konserwacja filtra powietrza (rys. 7, strona 6)” na stronie 325).
Co 6 miesięcy lub po 100 godzinach	<ul style="list-style-type: none"> ➤ Należy wymienić olej. ➤ Należy wykonać konserwację świecy zapłonowej (rozdz. „Konserwacja świecy zapłonowej” na stronie 327).
Raz w roku lub co 300 godzin	<ul style="list-style-type: none"> ➤ Należy wykonać konserwację zaworów. ➤ Tylko TEC29: Należy wykonać konserwację zbiornika benzyny oraz filtra paliwa. ➤ Należy wykonać konserwację tłumika wibracji.
Co 2 lata	<ul style="list-style-type: none"> ➤ Tylko TEC29: Należy wykonać konserwację przewodów benzynowych. ➤ Tylko TEC29LPG: Należy wykonać konserwację przewodów gazowych.

10.2 Przygotowanie do prac konserwacyjnych



OSTROŻNIE!

Podczas wszystkich prac konserwacyjnych należy pamiętać o następujących kwestiach:

- Generator nie może działać.
- Wszystkie części muszą być słodzone.

- Generator należy wyłączyć za pomocą wyłącznika głównego (rys. **4** 1, strona 5).
- Należy zlikwidować połączenie z biegunem dodatnim akumulatora.
- Należy otworzyć klapę generatora.

Do wykonania prac konserwacyjnych generator można wyjąć (rys. **5**, strona 5):



OSTRZEŻENIE!

Płyta nośna z generatorem jest bardzo ciężka (> 40 kg) i może wypaść z obudowy, jeśli zostanie wyjęta na zbyt dużą odległość.

- Należy odkręcić śruby mocujące (1).
- Na koniec należy wyjąć płytę nośną (2) z generatorem z obudowy (3).

10.3 Zakończenie prac konserwacyjnych

- Najpierw należy połączyć generator z biegunem dodatnim akumulatora.
- Następnie należy włączyć generator za pomocą wyłącznika głównego (rys. **4** 1, strona 5).
- Na koniec należy zamknąć klapę generatora.

10.4 Wymiana oleju (rys. 6, strona 6)



OSTROŻNIE!

Gorący olej może spowodować oparzenia.



UWAGA!

Zużyty olej należy przekazać specjalistycznej firmie w celu utylizacji lub odzysku, przestrzegając przepisów w zakresie ochrony środowiska obowiązujących w danym kraju.

Można używać następujących olejów:

- Olej do silników czterotaktowych klasy API SG lub SF.
- Olej klasy SAE 10W-30 (zastosowanie możliwe we wszystkich temperaturach).
- Olej o lepkości jednosezonowej.
Należy wybrać odpowiednią lepkość w zależności od średniej temperatury lokalnej.

Olej wymienia się w następujący sposób:

- Należy włączyć generator, tak aby pracował przez trzy do pięciu minut w stanie nagrzanym. Wówczas olej stanie się bardziej płynny i szybko spłynie.
- Należy podstawić odpowiedni zbiornik pod śrubę spustu (1).
- Następnie należy wyjąć tę śrubę (1).
- ✓ Olej zacznie spływać.
- Na koniec należy wlać świeży olej do króćca olejowego.
Ilość oleju wynosi: 0,6 l.

10.5 Konserwacja filtra powietrza (rys. 7, strona 6)



OSTRZEŻENIE! Niebezpieczeństwo wybuchu!

Do czyszczenia filtra powietrza nie należy używać oleju napędowego lub rozpuszczalników z niskim punktem parowania. Mogą one spowodować zapłon i wybuch.



UWAGA!

Silnika nie należy nigdy uruchamiać bez filtra powietrza. W przeciwnym razie szybko ulegnie zużyciu.



WSKAZÓWKA

Gdy filtra powietrza jest zanieczyszczony, zmniejsza się strumień powietrza przemieszczający się do gaźnika. Dlatego, aby gaźnik dobrze funkcjonował, należy regularnie sprawdzać stan filtra. Kontrolę należy przeprowadzać odpowiednio częściej, jeśli generator jest używany w otoczeniu o szczególnie dużym zapyleniu.

- Przed rozpoczęciem prac konserwacyjnych należy wyjąć nieznacznie generator z obudowy: zob. rozdz. „Przygotowanie do prac konserwacyjnych” na stronie 323.
- Należy usunąć nakrętkę skrzydełkową (1) oraz pokrywę filtra (2).
- Należy usunąć nakrętkę skrzydełkową (3).
- Należy wyjąć filtr powietrza (4).
Filtr powietrza składa się z dwóch elementów: filtra gąbkowego i papierowego.
- Należy dokładnie sprawdzić stan każdego z elementów. Należy wymienić uszkodzone elementy.
- Należy wyczyścić nieuszkodzone elementy: zob. poniższe sekcje.
- Należy zakończyć wykonanie prac konserwacyjnych: zob. rozdz. „Zakończenie prac konserwacyjnych” na stronie 323.

Czyszczenie filtra gąbkowego

- Należy umyć gąbkę neutralnym roztworem środka myjącego, a następnie starannie ją wypłukać.
- Należy pozostawić gąbkę do wyschnięcia.
- Należy nasycić gąbkę czystym olejem silnikowym.
- Na koniec należy wycisnąć nadmiar oleju.

Czyszczenie filtra papierowego

- Należy usunąć z papieru zanieczyszczenia poprzez lekkie uderzenie w twardą powierzchnię lub przedmuchiwanie filtra od wewnątrz na zewnątrz powietrzem sprężonym.
Nie należy używać w tym celu szczotki; szczotkowanie mogłoby spowodować przeniknięcie brudu do włókien filtra papierowego.
- W przypadku silnego zabrudzenia filtr papierowy należy wymienić.

10.6 Konserwacja świecy zapłonowej



UWAGA!

- Świecę zapłonową należy starannie dokręcić. Niedokręcona świeca może osiągnąć bardzo wysoką temperaturę i uszkodzić silnik.
- Należy stosować wyłącznie równowartościowe świece.
- Aby zastosować nową świecę zapłonową, należy dokręcić ją o 1/2 obrotu, jeśli jest mocno osadzona na podkładce.
W przypadku stosowania używanych świec wystarczy dokręcenie o 1/8 lub 1/4 obrotu.

- Przed rozpoczęciem prac konserwacyjnych należy wykonać określone czynności: zob. rozdz. „Przygotowanie do prac konserwacyjnych” na stronie 323.
- Należy zdjąć końcówkę przewodu świecy zapłonowej.
- Należy wyjąć świecę zapłonową za pomocą stosowanego w tym celu klucza.
- Następnie należy przeprowadzić kontrolę wzrokową świecy.
Jeśli świeca wygląda na zużytą lub gdy izolator jest uszkodzony bądź nadłamanym, należy ją wymienić.
Jeśli świeca jest jedynie zabrudzona, należy ją wyczyścić stalową szczotką.
- Należy zmierzyć odległość pomiędzy elektrodami za pomocą grubościomierza (rys. 8, strona 7). Odległość ta musi wynosić 0,7 – 0,8 mm; w razie potrzeby można ją skorygować poprzez wygięcie elektrody.
- Należy sprawdzić, czy uszczelka świecy zapłonowej jest w dobrym stanie.
- Jeśli tak, należy dokręcić świecę ręcznie, aby uniknąć uszkodzenia gwintu.
- Należy dokręcić świecę zapłonową tak, aby przylegała do podkładki.
- Należy zakończyć wykonanie prac konserwacyjnych: zob. rozdz. „Zakończenie prac konserwacyjnych” na stronie 323.

11 Usuwanie usterek

Usterka	Przyczyna	Usuwanie
Naciśnięcie włącznika/wyłącznika nie powoduje włączenia pilota.	Akumulator rozruchowy jest rozładowany.	➤ Należy naładować akumulator rozruchowy.
	Przerwany kabel prądowy lub wyjęta wtyczka.	➤ Należy zwrócić się do autoryzowanego warsztatu.
	Przerwany kabel w izolacji papierowej nasyczonej lub włączony bezpiecznik (jeśli istnieje).	
Po naciśnięciu przycisku uruchamiania rozrusznik nie obraca się.	Akumulator rozruchowy jest rozładowany.	➤ Należy naładować akumulator rozruchowy.
	Wyłącznik główny znajduje się w pozycji „0”.	➤ Należy ustawić wyłącznik główny w pozycji „I” lub „1”.
	Zabrudzony wał rozrusznika.	➤ Należy oczyścić wał rozrusznika.
	Za dużo oleju w silniku.	➤ Należy spuścić olej.
	Uszkodzony inwerter.	➤ Należy zwrócić się do autoryzowanego warsztatu.
	Przerwany kabel prądowy lub wyjęta wtyczka.	
Przerwany kabel w izolacji papierowej nasyczonej lub włączony bezpiecznik (jeśli istnieje).		
Rozrusznik obraca się, jednak generator nie uruchamia się.	Brak benzyny/LPG.	➤ Należy włączyć benzynę/LPG.
	Świeca zapłonowa nie jest zasilana w prąd.	➤ Należy sprawdzić połączenia elektryczne.
	Gaźnik nie otrzymuje benzyny.	➤ Należy oczyścić gaźnik.
	Wlot powietrza jest zatkany.	➤ Należy skontrolować filtr powietrza (zob. rozdz. „Konservacja filtra powietrza (rys. 7, strona 6)” na stronie 325).
	Temperatura otoczenia wynosi poniżej 0 °C.	➤ Stosować czysty gaz propan, bez dodatków.
	Uszkodzony inwerter.	➤ Należy zwrócić się do autoryzowanego warsztatu.
	Przerwany kabel prądowy lub wyjęta wtyczka.	

Usterka	Przyczyna	Usuwanie
Generator wykazuje tendencje do wyłączenia się.	Za dużo oleju w silniku.	➤ Należy spuścić olej.
	Obciążenie powyżej 2,6 kW.	➤ Należy wyłączyć odbiorniki.
	Gaźnik nie otrzymuje benzyny.	➤ Należy oczyścić gaźnik.
	Wlot powietrza jest zatkany.	➤ Należy skontrolować filtr powietrza (zob. rozdz. „Konserwacja filtra powietrza (rys. 7, strona 6)” na stronie 325).
	Uszkodzony inwerter.	➤ Należy zwrócić się do autoryzowanego warsztatu.
	Zablokowany elektromagnes.	
Zabrudzony filtr powietrza.		
Generator działa, jednak nie generuje napięcia.	Uszkodzony inwerter.	➤ Należy zwrócić się do autoryzowanego warsztatu.
	Uszkodzony silnik skokowy lub przewany kabel.	
	Zablokowany elektromagnes.	
	Zablokowana kłapa przepustnicy.	
Generator uruchamia się z dużym przyspieszeniem, a następnie zatrzymuje się; pojawia się komunikat „GENERATOR ALERT”.	Uszkodzony inwerter.	➤ Należy zwrócić się do autoryzowanego warsztatu.
	Uszkodzony silnik skokowy lub przewany kabel.	
Generowane napięcie jest niestabilne.	Uszkodzony inwerter.	➤ Należy zwrócić się do autoryzowanego warsztatu.
	Uszkodzony silnik skokowy lub przewany kabel.	

12 Gwarancja

Obowiązuje ustawowy okres gwarancji. Jeśli produkt jest uszkodzony, należy zgłosić się do partnera serwisowego w danym kraju (adresy dostępne na odwrocie instrukcji).

Nasi specjaliści służą chętnie pomocą i omówią z Państwem dalszy przebieg gwarancji.

13 Utylizacja

- Opakowanie należy wyrzucić do odpowiedniego pojemnika na śmieci do recyklingu.




Jeżeli produkt nie będzie dłużej eksploatowany, koniecznie dowiedz się w najbliższym zakładzie recyklingu lub w specjalistycznym sklepie, jakie są aktualnie obowiązujące przepisy dotyczące utylizacji.



Chroń środowisko naturalne!

Akumulatory i baterie nie zaliczają się do odpadów domowych. Uszkodzone akumulatory lub zużyte baterie należy przekazać do punktu sprzedaży lub punktu przyjmującego surowce wtórne.

14 Dane techniczne

	Dometic TEC29	Dometic TEC29LPG
Nr produktu:	9102900200	9102900179
Napięcie znamionowe wyjściowe:	230 V~ / 50 Hz	
Maksymalna moc ciągła (przy 25 °C na wysokości morza):	2600 W	
Napięcie wyjściowe ładowarki akumulatora:	12 V===	
Maks. prąd wyjściowy ładowarki akumulatora:	10 A	
Zakres temperatury roboczej:	od -15 °C do +50 °C	-15 °C do +50 °C (zależnie od zawartości propany w LPG)
Współczynnik zniekształceń nieliniowych:	1 %	
Paliwo:	Benzyna zwykła ROZ 91	Gaz płynny LPG
Zużycie:	300 g/kWh maks. 1,2 l/h	408 g/kWh maks. 1,0 kg/h
Moc silnika:	4,0 kW (5,5 KM)	
Gwarantowany poziom ciśnienia akustycznego:	86 dB(A)	
Poziom hałasu w odległości 7 m:	54 – 59 dB(A)	
Wymiary:	zob. rys. 9 , strona 7	
Waga:	44 kg	
Kontrola/Certyfikat:		

Před uvedením do provozu si pečlivě přečtěte tento návod k obsluze a uschovejte jej. V případě dalšího prodeje výrobku předejte návod novému uživateli.

Obsah

1	Vysvětlení symbolů	333
2	Bezpečnostní pokyny	334
3	Cílová skupina tohoto návodu	336
4	Obsah dodávky	336
5	Příslušenství	337
6	Použití v souladu s účelem	337
7	Technický popis	337
8	Obsluha generátoru	340
9	Čištění generátoru	346
10	Údržba generátoru	347
11	Odstraňování poruch	352
12	Záruka	354
13	Likvidace	354
14	Technické údaje	355

1 Vysvětlení symbolů

**VÝSTRAHA!**

Bezpečnostní pokyny: Následkem nedodržení pokynů mohou být smrtelná nebo vážná zranění.

**UPOZORNĚNÍ!**

Bezpečnostní pokyny: Následkem nedodržení mohou být úrazy.

**POZOR!**

Nedodržení pokynů může mít za následek hmotné škody a narušení funkce výrobku.

**POZNÁMKA**

Doplňující informace týkající se obsluhy výrobku.

- **Činnost:** Tento symbol vás vyzývá k tomu, abyste něco učinili. Potřebné činnosti jsou popisovány v příslušném pořadí.
- ✓ Tento symbol popisuje výsledek určité činnosti.

Obr. 1 5, strana 3: Tento údaj odkazuje na prvek, zobrazený na obrázku. Na tomto příkladu se jedná o „pozici 5 na obrázku 1 na straně 3“.

2 Bezpečnostní pokyny

V následujících případech nepřebírá výrobce žádné záruky za škody:

- Poškození výrobku působením mechanických vlivů a přepětí
- Změna výrobku bez výslovného souhlasu výrobce
- Použití k jiným účelům, než jsou popsány v tomto návodu

Především pak neručí za jakékoliv následné škody, zejména pak také ne za takové, které mohou vzniknout výpadkem generátoru.

Při použití elektrických přístrojů dodržujte následující zásadní bezpečnostní opatření k ochraně před následujícími nebezpečími:

- zasažení elektrickým proudem
- nebezpečí požáru
- úrazy

2.1 Základní bezpečnost



VÝSTRAHA!

- **Elektrické přístroje nejsou hračky pro děti!**

Děti nedokáží správně posoudit nebezpečí, která jsou spojena s elektrickými přístroji. Nenechávejte děti bez dozoru používat elektrické přístroje.

- Osoby (včetně dětí), které z důvodu svých fyzických, senzorických nebo duševních schopností, nebo své nezkušenosti nebo neznalosti nejsou schopny bezpečně používat výrobek, nesmějí tento přístroj používat bez dohledu odpovědné osoby nebo bez jejího poučení.
- Používejte přístroj pouze v souladu s jeho určením.
- Neprovádějte žádné úpravy nebo změny přístroje!
- Instalaci, údržbu a opravy generátoru směřují provádět pouze odborníci, kteří jsou seznámeni s nebezpečími při manipulaci s generátory a s příslušnými předpisy. Nesprávně provedené opravy mohou být zdrojem značných rizik. V případě oprav kontaktujte servisní středisko výrobce ve vaší zemi (adresy jsou uvedeny na zadní straně).

- Odpadní plyny obsahují oxid uhelnatý. Jedná se o mimořádně toxický plyn bez barvy a zápachu. Nevdechujte odpadní plyny. Nenechávejte motor generátoru běžet v uzavřené garáži nebo v místnosti bez oken.



UPOZORNĚNÍ!

- Generátor smíte používat pouze se zavřeným krytem.
- Odstraňte z blízkosti generátoru všechny hořlavé materiály, jako jsou benzín, laky, rozpouštědla apod.
- Zkontrolujte, zda se do kontaktu s hořlavými materiály nemohou dostat žádné horké součásti generátoru.
- Palivo doplňujte pouze po vypnutí generátoru v dobře větraném prostředí. Benzín a kapalný plyn jsou vysoce hořlavé a mohou explodovat.
- Do generátoru nedoplňujte palivo, pokud je nastartovaný motor vozidla a pokud je generátor v blízkosti nádrže.
- **Pouze TEC29:** Vylitý benzín dobře otřete a vyčkejte před nastartováním motoru, než se rozptýlí výpary.
- **Pouze TEC29LPG:** Porovnejte údaj o tlaku na typovém štítku s údajem o tlaku na láhvi s kapalným plynem.
- **Pouze TEC29LPG:** **Nikdy** neskladujte láhve se zkapalněným plynem na nevětraných místech nebo pod úrovní podlahy (nálepkovité vybrání v podlaze).
- **Pouze TEC29LPG:** Chraňte láhve se zkapalněným plynem před přímým slunečním zářením. Teplota nesmí překročit 50 °C.
- Nedotýkejte se generátoru a vodičů mokřýma rukama.
- Pojistky nebo tepelné spínače vyměňujte pouze za výrobky o stejných technických parametrech.
- Generátor nepoužívejte v automatickém režimu v blízkosti zdrojů vznícení (např. na čerpacích stanicích, v suché krajině s nebezpečím lesních požárů).



POZOR!

- **Pouze TEC29:** Benzínovou nádrž nepřepĺňujte. V ústí nádrže nesmí být žádný benzín. Zkontrolujte, zda je správně uzavřeno víčko.

2.2 Bezpečnost za provozu přístroje



VÝSTRAHA!

- Při práci na přístroji vždy přerušete napájení elektrickým proudem.



POZOR!

- Přístroj používejte pouze za předpokladu, že jsou kryt přístroje a rozvody nepoškozené.

3 Cílová skupina tohoto návodu

Tento návod k obsluze je určen uživatelům generátoru.

4 Obsah dodávky

TEC29

Název	Číslo výrobku
Generátor TEC29	9102900200
AG 102, přepínací relé k realizaci prioritního spínání	9102900013
Návod k instalaci	
Návod k obsluze	

TEC29LPG

Název	Číslo výrobku
Generátor TEC29LPG	9102900179
AG 102, přepínací relé k realizaci prioritního spínání	9102900013
Návod k instalaci	
Návod k obsluze	

5 Příslušenství

Dodávané příslušenství (není součástí dodávky):

Název součásti	Číslo výrobku
Pouze TEC29: AG 101, nádrž 15 l, plast	9102900009
Pouze TEC29: AG 100, nádrž 20 l, ušlechtilá ocel	9102900011
Pouze TEC29: AG 150, sada hadic pro AG 100/AG 101	9102900003
AG 125, flexibilní kovová hadice k prodloužení odvodu spalin, 5 m	9102900138
AG 128, těsnění pro TEC29	9102900040

6 Použití v souladu s účelem

Generátory TEC29 (výr. č. 9102900200) a TEC29LPG (výr. č. 9102900179) jsou konstruovány k použití v obytných vozech, obytných automobilech a v komerčně využívaných vozidlech.

Generátor **není** určen k instalaci v plavidlech.

Generátor generuje čistě sinusové střídavé napětí 230 V/50 Hz, ke kterému mohou být připojeny spotřebiče o celkovém trvalém zatížení 2600 W. Kvalita proudu je odpovídající i pro citlivé spotřebiče (např. počítače).

Generátor může být využit k nabíjení baterie 12 V.

7 Technický popis

Generátory TEC29 a TEC29LPG zahrnují následující hlavní součásti (obr. **1**, strana 3):

- Spalovací motor (**1**)
- Třífázový generátor (**2**) s permanentními magnety
- Invertor (**3**)
- Připojovací panel (**4**)
- Dálkový ovladač (**5**)

Spalovací motor (**1**) roztáčí třífázový generátor (**2**), který je s ním pevně spojen, a generátor vyrábí střídavé napětí.

Invertor (**3**) upravuje toto střídavé napětí na stabilní napětí 230 V a 50 Hz.

Na přípojovacím panelu (4) jsou umístěny přípojovací svorky, zdířka pro přívodní kabel dálkového ovladače (5) a hlavní vypínač.

Přehled všech součástí

- TEC29: obr. 10, strana 8.
- TEC29LPG: obr. 11, strana 9

Generátor nabízí následující možnosti:

- Integrovaná nabíječka baterií k nabíjení připojené baterie
- Automatický režim k automatickému nabíjení připojené baterie (musíte příslušným způsobem konfigurovat při instalaci).

Ovládací prvky na rozvodné skříňce

Rozvodná skříňka je umístěna na generátoru za krytem.

Poz. na obr. 2, strana 4	Popis	
1	Hlavní vypínač	Zapnutí nebo vypnutí generátoru.
2	Pouze TEC29: Ochranný vypínač	Elektromechanická ochrana proti přetížení.
3	Pouze TEC29LPG: Hlavní pojistka	Vypne při přetížení strany se střídavým proudem. Po vypnutí musíte tavnou pojistku vyměnit.
4	Pouze TEC29LPG: Pojistka nabíječky baterie	Vypne při přetížení strany se stejnosměrným proudem. Po vypnutí musíte tavnou pojistku vyměnit.

Ovládací prvky na dálkovém ovladači

Dálkový ovladač je umístěn uvnitř vozidla.

Poz. na obr. 3, strana 4	Popis	
1	Displej	Zobrazení stavových hlášení.
2	Vypínač „0“	Zapnutí a vypnutí dálkového ovladače, pokud je hlavní vypínač v poloze „I“ nebo „1“. Zastavení generátoru.
3	Startér „START“	Nastartování generátoru, pokud je dálkový ovladač zapnutý a hlavní vypínač je v poloze „I“ nebo „1“.
4	Pouze TEC29: Ukazatel stavu benzínu	Rozsvítí se, jakmile benzín dosáhne úrovně rezervy.
5	Ukazatel stavu oleje	Rozsvítí se, jakmile je hladina oleje v motoru příliš nízká.

Zobrazení na displeji

Poz. na obr. 3, strana 4	Popis	
6	Střídavé napětí	Aktuální výstupní napětí
7	Trvalý výkon	Aktuální výkon připojených spotřebičů
8	Provozní hodiny	Doba, po kterou je generátor v provozu
9	Stejnoseměrné napětí	Napětí baterie
10	Hlášení	Stavové hlášení generátoru (viz kap. „Hlášení na displeji“ na straně 342)

8 Obsluha generátoru



POZOR!

Nenamáhejte generátor v prvních 50 hodinách provozu (fáze záběhu) na hodnotu vyšší než 70 % maximálního trvalého výkonu.



POZNÁMKA

Ve fázi záběhu namáhejte generátor zatížením max cca 75 % maximálního trvalého výkonu.

Můžete tím prodloužit životnost generátoru a maximalizovat jeho výkon.

8.1 Důležité pokyny k obsluze



UPOZORNĚNÍ! Nebezpečí úrazu!

Nestrkejte do výdechů vzduchu ani do mřížky sání prsty ani žádné předměty.

Dodržujte následující základní pokyny:

- Před každým použitím zkontrolujte stav oleje (kap. „Kontrola stavu oleje“ na straně 344).
- **Pouze TEC29LPG:** Před každým použitím zkontrolujte pomocí spreje k vyhledávání netěsností těsnost přívodu plynu.
- I malá přetížení mají trvale za následek vypnutí bezpečnostního spínače (**TEC29**) nebo pojistek (**TEC29LPG**).
- Po použití nechejte generátor několik minut běžet bez připojených spotřebičů dříve, než jej vypnete.
- Ostré brzdění, akcelerace a rychlé projíždění zatáček vozidlem může vyvolat potíže s čerpadlovým systémem generátoru a nechtěné vypnutí.
- Pokud nebudete generátor delší dobu používat, musíte jej minimálně jednou za 30 dní nastartovat a nechat minimálně 15 minut běžet.

8.2 Přepnutí generátoru do provozní pohotovosti nebo odpojení funkce

Hlavním vypínačem (obr. **2** 1, strana 4) na rozvodné skříňce generátoru zapnete do provozní pohotovosti nebo odpojíte jeho funkce.

8.3 Zapnutí a vypnutí dálkového ovladače

Vypínačem (obr. **3** 2, strana 4) na dálkovém ovladači zapnete a vypnete dálkový ovladač.

- Zapněte vypínačem dálkový ovladač.
- ✓ Na displeji se zobrazí hlášení: *GEN OFF*.
Displej se za 5 min. automaticky vypne, pokud během této doby nestisknete tlačítko startéru.
Stisknutím tlačítka startéru můžete displej opět zapnout.
- ✓ Nyní můžete nastartovat generátor.

8.4 Nastartování generátoru

Generátor můžete nastartovat pouze za předpokladu, že je aktivován do provozní pohotovosti, a pokud je zapnutý dálkový ovladač.



POZNÁMKA

U dosud teplého generátoru stiskněte tlačítko startéru pouze krátce, pokud je generátor studený, tlačítko podržte.

- Nastartujte generátor tlačítkem startéru (obr. **3** 3, strana 4).

8.5 Vypnutí generátoru

- Vypněte generátor vypínačem (obr. **3** 2, strana 4).
Pokud generátor nelze zastavit: Vypněte generátor hlavním vypínačem (obr. **2** 1, strana 4).

8.6 Hlášení na displeji

Hlášení na displeji Popis	Chování generátoru	Opatření
LOW BATTERY Napětí baterie pokleslo pod minimální hodnotu, která umožňuje nastartování (9 V).	Generátor nelze nastartovat.	Nabijte baterii.
OIL CHANGE Počítadlo provozních hodin dosáhlo hodnotu určenou k výměně oleje.	Generátor běží dál.	Proveďte výměnu oleje (viz kap. „Výměna oleje (obr. 6, strana 6)“ na straně 349), potom generátor znovu nastartujte stisknutím a podržením tlačítka startéru.
NO FUEL Obsah benzínu v nádrži dosáhl rezervního množství.	Generátor běží dál.	Doplňte palivo.
OIL ALERT Chybí olej v motoru.	Generátor se zastaví.	Doplňte olej (viz kap. „Kontrola stavu oleje“ na straně 344).
GENERATOR ALERT! Obecné výstražné hlášení Příklad: Závada kontrolního kroužku škrtkic klapky karburátoru (servomotor).	Generátor se zastaví.	Zkontrolujte systém podle tabulky s poruchami, jejich příčinami a možnostmi odstranění. V případě setrvávajícího problému kontaktujte servisní středisko výrobce ve vaší zemi (adresy jsou uvedeny na zadní straně).
OVERLOAD! Spotřebiče přetížily výstup.	Invertor se vypne, proto již není dodáváno žádné napětí, ale motor běží dál, dokud nevypne.	Snižte připojené zatížení a znovu nastartujte generátor.
SHORT CIRCUIT Spotřebiče zkratovaly výstup.	Invertor se vypne, proto již není dodáváno žádné napětí, ale motor běží dál, dokud nevypne.	Zkontrolujte stav připojených spotřebičů a potom znovu nastartujte generátor.
OVER TEMPERATURE Přehřátí	Invertor se vypne, proto již není dodáváno žádné napětí, ale motor běží dál, aby chladil generátor.	Nechte generátor vychladnout, vyčkejte několik minut, potom generátoru znovu nastartujte.

Hlášení na displeji Popis	Chování generátoru	Opatření
<i>LOW POWER ENGINE</i> Pokles napájecího napětí invertoru.	Generátor se zastaví.	Snižte připojené zatížení a znovu nastartujte generátor.
<i>RESTART GEN?</i> Hlášení, které se zobrazí po vypnutí generátoru z důvodu přehřátí.	Generátor je vypnutý.	K opětovnému nastartování generátoru stiskněte tlačítko startéru.
<i>GEN CAL</i> Hlášení, které se zobrazí při nastartování generátoru. Informuje o fázi kalibrace, která je provedena při každém nastartování. Generátor zatím negeneruje žádné napětí.	Generátor běží, ale negeneruje napětí.	Počkejte chvíli.
<i>GEN WAIT</i> Hlášení, které se zobrazí v pauze mezi dvěma pokusy o nastartování.	Generátor je vypnutý.	Vyčkejte, dokud hlášení nezmizí, potom se znovu pokuste nastartovat.
<i>GEN ON</i> Běžný provoz generátoru.	Běžný provoz	–
<i>GEN OFF</i>	Generátor je v pohotovostním režimu a můžete jej nastartovat.	–
<i>AUTO?</i> Hlášení, které se zobrazí po aktivaci automatického režimu	Řídicí jednotka čeká na pokyny od uživatele	Do 20 vteřin stiskněte tlačítko startéru a podržte je na 3 vteřiny stisknuté.
<i>AUTO</i> Automatický režim	Je zapnutý automatický režim.	–

8.7 Kontrola stavu oleje



UPOZORNĚNÍ!

Horký olej může způsobit popáleniny.
Kontrolujte hladinu oleje pouze na vypnutém generátoru.



POZNÁMKA

Generátor musí být ve vodorovné poloze.

Před každým použitím zkontrolujte stav oleje. Postupujte takto:

- Otevřete kryt generátoru.
- Vypněte generátor hlavním vypínačem (obr. **4** 1, strana 5).
- Odpojte přípojku kladného pólu napájecí baterie.
- Vytáhněte měрку (obr. **4** 2, strana 5) z plnicího hrdla (obr. **4** 3, strana 5).
- Vyčistěte měрку (obr. **4** 2, strana 5) utěrkou.
- Nasaděte měрку (obr. **4** 2, strana 5) správně do plnicího hrdla (obr. **4** 3, strana 5).
- Vytáhněte měрку (obr. **4** 2, strana 5) z plnicího hrdla.
- Zkontrolujte, zda je hladina oleje mezi ryskou (maximální hladina) a hrotem měrky (obr. **4** 4, strana 5).
Pokud ne, dolijte olej.
- Nasaděte měрку (obr. **4** 2, strana 5) správně do plnicího hrdla (obr. **4** 3, strana 5).
- Připojte generátor ke kladnému pólu napájecí baterie.
- Zapněte generátor hlavním vypínačem (obr. **4** 1, strana 5) do pohotovostního režimu.
- Zavřete kryt generátoru.

8.8 Zapnutí automatického režimu

Automatický režim můžete aktivovat pouze za těchto podmínek:

- pokud byl konfigurován při instalaci generátoru
- vozidlo stojí a zapalování je vypnuté
- pokud je zapnutý spínač pro automatický režim (pokud je instalován)

V automatickém režimu je generátor automaticky aktivován a nabíjí baterii, pokud je napětí připojené baterie příliš nízké.

Generátor se automaticky vypne, jakmile je baterie plně nabitá.

Automatický režim aktivujete takto:

- Zapněte spínač automatického režimu (pokud je instalován).
- Vypněte zapalování.
- Stisknutím vypínače zapněte dálkové ovládání.
- ✓ Na displeji se zobrazí hlášení: *AUTO?*



POZNÁMKA

Pokud se na displeji zobrazí hlášení *GEN OFF* místo hlášení *AUTO?*, není na vašem generátoru konfigurován automatický režim. V tomto případě kontaktujte specializovaný servis, který provedl instalaci, a nechejte si instalovat automatický režim.

- Do 20 s stiskněte tlačítko startéru a podržte je 3 s stisknuté.
- ✓ Na displeji se zobrazí hlášení: *AUTO*.
- Automatický režim je zapnutý.



POZNÁMKA

V automatickém režimu nemůžete generátor nastartovat tlačítkem startéru. Generátor se nastartuje automaticky. Generátor můžete zapnout a vypnout spínačem automatického režimu (pokud je instalován).

8.9 Vypnutí automatického režimu

- Vypněte spínač automatického režimu (pokud je instalován).
nebo
- Zapněte zapalování.
- ✓ Na displeji se zobrazí hlášení: *GEN OFF*.

9 Čištění generátoru



POZOR! Nebezpečí poškození!

- Nečistěte generátor vysokotlakým čističem. Vniknutím vody může dojít k poškození generátoru.
 - Nepoužívejte k čištění ostré nebo tvrdé předměty nebo čisticí prostředky, může dojít k poškození generátoru.
 - Používejte k čištění generátoru pouze vodu s šetrným čisticím prostředkem. V žádném případě nepoužívejte benzín, naftu nebo rozpouštědla.
-
- Příležitostně kryt generátoru očistěte zvenčí zvlhčenou utěrkou.
 - Pravidelně odstraňujte nečistoty z větracích otvorů generátoru. Dávejte pozor, abyste přitom nepoškodili lamely generátoru.

10 Údržba generátoru

10.1 Tabulka údržby



VÝSTRAHA!

Veškerou údržbu nechejte provést pouze odborníky, kteří jsou seznámeni s příslušnými předpisy. Nesprávně provedená údržba může být zdrojem značných rizik.



POZNÁMKA

Nechejte provést následující činnosti údržby v uvedených intervalech nebo podle počtu provozních hodin v závislosti na tom, která z možností nastane dříve.

Interval	Kontrola/údržba
První měsíc nebo po 20 hodinách	<ul style="list-style-type: none"> ➤ Nechejte vyměnit olej. ➤ Nechejte provést údržbu vzduchového filtru (kap. „Údržba vzduchového filtru (obr. 7, strana 6)“ na stranì 350).
Každé 3 měsíce nebo po 50 hodinách	<ul style="list-style-type: none"> ➤ Nechejte provést údržbu vzduchového filtru (kap. „Údržba vzduchového filtru (obr. 7, strana 6)“ na stranì 350).
Každých 6 měsíců nebo po 100 hodinách	<ul style="list-style-type: none"> ➤ Nechejte vyměnit olej. ➤ Nechejte provést údržbu zapalovací svíčky (kap. „Údržba zapalovacích svíček“ na stranì 351).
Každoročně nebo každých 300 hodin	<ul style="list-style-type: none"> ➤ Nechejte provést údržbu ventilů. ➤ Pouze TEC29: Nechejte provést údržbu palivové nádrže a palivového filtru. ➤ Nechejte provést údržbu tlumičů vibrací.
Každé 2 roky	<ul style="list-style-type: none"> ➤ Pouze TEC29: Nechejte provést údržbu palivových rozvodů. ➤ Pouze TEC29LPG: Nechejte provést údržbu plynových rozvodů.

10.2 Příprava údržby



UPOZORNĚNÍ!

Při všech činnostech údržby pamatujte:

- Generátor nesmí být v provozu.
- Všechny součásti musejí být vychladlé.

- Vypněte generátor hlavním vypínačem (obr. **4** 1, strana 5).
- Odpojte přípojku kladného pólu napájecí baterie.
- Otevřete kryt generátoru.

K provedení údržby můžete generátor vysunout (obr. **5**, strana 5):



VÝSTRAHA!

Nosná deska s generátorem je velmi těžká (> 40 kg) a může vypadnout ze skříně, pokud ji vytáhnete příliš daleko.

- Povolte upevňovací šrouby (1).
- Vytáhněte nosnou desku (2) s generátorem ze skříně (3).

10.3 Dokončení údržby

- Připojte generátor ke kladnému pólu napájecí baterie.
- Zapněte generátor hlavním vypínačem (obr. **4** 1, strana 5) do pohotovostního režimu.
- Zavřete kryt generátoru.

10.4 Výměna oleje (obr. 6, strana 6)



UPOZORNĚNÍ!

Horký olej může způsobit popáleniny.



POZOR!

Starý oleje bezpodmínečně odevzdejte specializované firmě k likvidaci a recyklaci a dodržujte zákony o ochraně životního prostředí, platné v příslušné zemi.

Můžete používat tyto oleje:

- Olej pro čtyřtákní motory třídy API SG nebo SF.
- Olej třídy SAE 10W-30 (použití možné za všech teplot).
- Olej s jedním rozsahem viskozity.
Vyberte vhodnou viskozitu v závislosti na průměrné teplotě oleje.

Vyměňte olej takto:

- Nechejte generátor tři až pět minut zahřívát, aby byl olej tekutější a rychleji a zcela vytekl.
- Pod vypouštěcí šroub (1) postavte vhodnou nádobu.
- Vyšroubujte vypouštěcí šroub (1).
- ✓ Olej vyteče.
- Doplněte do hrdla olejové nádrže nový olej.
Množství oleje: 0,6 l.

10.5 Údržba vzduchového filtru (obr. 7, strana 6)



VÝSTRAHA! Nebezpečí exploze!

Nepoužívejte k čištění vzduchového filtru naftu nebo rozpouštědla s nízkým bodem vypařování. Může dojít ke vznícení nebo explozi.



POZOR!

Nikdy nenechávejte motor běžet bez vzduchového filtru. V opačném případě se motor rychle opotřebuje.



POZNÁMKA

Pokud je vzduchový filtr znečištěný, sníží se objem vzduchu proudící do karburátoru. Aby karburátor dobře fungoval, musíte pravidelně kontrolovat stav filtru. Kontrolujte stav častěji, pokud generátor používáte v mimořádně prašném prostředí.

- Připravte se k provedení údržby a povytáhněte generátor ze skříně, viz kap. „Příprava údržby“ na straně 348.
- Odšroubujte křídlatou matici (1) a odstraňte kryt filtru (2).
- Odšroubujte křídlovou matici (3).
- Vyměňte vzduchový filtr (4).
Vzduchový filtr má dvě části: Houbovitý a papírový filtr.
- Pečlivě zkontrolujte stav obou filtračních prvků. Vyměňte poškozené filtrační prvky.
- Vyčistěte nepoškozené filtrační prvky, viz následující kapitoly.
- Dokončete údržbu, viz kap. „Dokončení údržby“ na straně 348.

Čištění houbovitého filtru

- Vyperte houbu v neutrálním roztoku čisticího prostředku a pečlivě ji vypláchněte.
- Nechejte houbu pečlivě vyschnout.
- Namočte houbu do čistého motorového oleje.
- Vymačkejte přebytečný olej.

Čištění papírového filtru

- ▶ Opakovaným lehkým poklepáním o tvrdý povrch uvolněte z papíru nečistoty, nebo filtr vyfoukejte směrem ven stlačeným vzduchem.
Papír **nečistěte** kartáčkem, zatlačíte tím nečistoty do vláken papírového filtru.
- ▶ Pokud je papírový filtr příliš znečištěný, vyměňte jej.

10.6 Údržba zapalovacích svíček



POZOR!

- Opatrně utáhněte zapalovací svíčku. Povolená zapalovací svíčka se může velmi zahřát a poškodit motor.
- Používejte výhradně zapalovací svíčky o stejných hodnotách.
- Novou zapalovací svíčku utáhněte ještě o 1/2 otáčky, jakmile dosedne na podložku. Při použití použitých zapalovacích svíček stačí 1/8 nebo 1/4 otáčky.

- ▶ Připravte údržbu, viz kap. „Příprava údržby“ na straně 348.
- ▶ Odpojte konektor svíčky.
- ▶ Vyšroubujte zapalovací svíčku klíčem na svíčky.
- ▶ Vizuálně zkontrolujte svíčku.
Pokud je svíčka viditelně opotřebená, nebo pokud je poškozený nebo polámaný izolant, svíčku vyměňte.
Jestliže je zapalovací svíčka pouze znečištěná, vyčistěte ji ocelovým kartáčkem.
- ▶ Změřte spároměrem vzdálenost mezi elektrodami (obr. **8**, strana 7). Vzdálenost musí být 0,7 – 0,8 mm a můžete ji případně upravit přihnutím elektrody.
- ▶ Zkontrolujte, zda je těsnění zapalovací svíčky neporušené.
- ▶ Pokud je neporušené, našroubujte zapalovací svíčku rukou tak, abyste nepoškodili závit.
- ▶ Utáhněte zapalovací svíčku klíčem tak, aby došlo ke zmáčknutí podložky.
- ▶ Dokončete údržbu, viz kap. „Dokončení údržby“ na straně 348.

11 Odstraňování poruch

Porucha	Příčina	Odstranění
Po stisknutí vypínače nedojde k zapnutí dálkového ovladače.	Vybitá startovací baterie.	➤ Nabijte startovací baterii.
	Přerušený přívodní kabel nebo odpojená zástrčka.	➤ Kontaktujte autorizovaný odborný servis.
	Přerušený kabel kostry generátoru nebo vypnula pojistka (pokud je instalována).	
Po stisknutí tlačítka startéru se startér neotáčí.	Vybitá startovací baterie.	➤ Nabijte startovací baterii.
	Hlavní vypínač je v poloze „0“.	➤ Přepněte hlavní vypínač do polohy „I“ nebo „1“.
	Znečištěná hřídelka startéru.	➤ Vyčistěte hřídelku startéru.
	V motoru je příliš velké množství oleje.	➤ Odlijte část oleje.
	Poškozený inverter	➤ Kontaktujte autorizovaný odborný servis.
	Přerušený přívodní kabel nebo odpojená zástrčka.	
	Přerušený kabel kostry generátoru nebo vypnula pojistka (pokud je instalována).	
Startér není napájen proudem.		
Startér se otáčí, ale generátor nenastartuje.	Došel benzín/LPG.	➤ Doplněte benzín/LPG.
	Zapalovací svíčka bez proudu.	➤ Zkontrolujte elektrické spoje.
	Do karburátoru neteče benzín.	➤ Vyčistěte karburátor.
	Ucpané sání vzduchu.	➤ Zkontrolujte vzduchový filtr (viz kap. „Údržba vzduchového filtru (obr. 7, strana 6)“ na straně 350).
	Okolní teplota klesla pod 0 °C.	➤ Použijte čistý propan.
	Poškozený inverter	➤ Kontaktujte autorizovaný odborný servis.
	Přerušený přívodní kabel nebo odpojená zástrčka.	

Porucha	Příčina	Odstranění
Generátor má tendenci se vypínat.	V motoru je příliš velké množství oleje.	➤ Odlijte část oleje.
	Zátěž vyšší než 2,6 kW.	➤ Odpojte spotřebič.
	Do karburátoru neteče benzín.	➤ Vyčistěte karburátor.
	Ucpané sání vzduchu.	➤ Zkontrolujte vzduchový filtr (viz kap. „Údržba vzduchového filtru (obr. 7, strana 6)“ na strani 350).
	Poškozený invertor	➤ Kontaktujte autorizovaný odborný servis.
	Elektromagnet je zablokovaný.	
Vzduchový filtr je znečištěn.		
Generátor nastartoval, ale negeneruje napětí.	Poškozený invertor	➤ Kontaktujte autorizovaný odborný servis.
	Vadný servomotor nebo přerušený kabel.	
	Elektromagnet je zablokovaný.	
	Zablokovaná škrticí klapka.	
Generátor nastartuje s velkým zrychlením a následně se zastaví s hlášením „GENERATOR ALERT“.	Poškozený invertor	➤ Kontaktujte autorizovaný odborný servis.
	Vadný servomotor nebo přerušený kabel.	
Generované napětí je nestabilní.	Poškozený invertor	➤ Kontaktujte autorizovaný odborný servis.
	Vadný servomotor nebo přerušený kabel.	

12 Záruka

Na výrobek je poskytována záruka v souladu s platnými zákony. Pokud je výrobek vadný, kontaktujte servisního partnera ve vaší zemi (adresy viz zadní strana tohoto návodu).

Naši odborníci vám rádi pomohou a projednají s vámi další průběh záruky.

13 Likvidace

- Obalový materiál likvidujte v odpadu určeném k recyklaci.



Jakmile výrobek zcela vyřadíte z provozu, informujte se v příslušných recyklačních centrech nebo u specializovaného prodejce o příslušných předpisech o likvidaci odpadu.




Chraňte životní prostředí!

Akumulátory a baterie nepatří do domovního odpadu.

Odevzdejte vadné akumulátory nebo vybité baterie prodejci nebo na sběrném místě.

14 Technické údaje

	Dometic TEC29	Dometic TEC29LPG
Č. výr.:	9102900200	9102900179
Výstupní jmenovité napětí:	230 V $\overline{=}$ /50 Hz	
Max. trvalý výkon (při 25 °C v úrovni moře):	2600 W	
Výstupní napětí nabíječky baterie:	12 V $\overline{=}$	
Max. výstupní proud nabíječky baterie:	10 A	
Rozsah provozních teplot:	-15 °C až +50 °C	-15 °C až +50 °C (závisí na podílu propanu v LPG)
Činitel harmonického zkreslení:	1 %	
Palivo:	Benzín Normal ROZ 91	Zkapalněný plyn LPG
Spotřeba:	300 g/kWh max. 1,2 l/h	408 g/kWh max. 1,0 kg/h
Výkon motoru:	4,0 kW (5,5 PS)	
Garantovaná hladina hlučnosti:	86 dB(A)	
Hladina hluku ve vzdálenosti 7 m:	54 – 59 dB(A)	
Rozměry:	viz obr. 9 , strana 7	
Hmotnost:	44 kg	
Kontrola/certifikát:		

Pred uvedením zariadenia do prevádzky si prosím pozorne prečítajte tento návod a odložte si ho. V prípade odovzdania výrobku ďalšiemu používateľovi mu odovzdajte aj tento návod.

Obsah

1	Vysvetlenie symbolov	357
2	Bezpečnostné pokyny	358
3	Cieľová skupina tohto návodu	360
4	Obsah dodávky	360
5	Príslušenstvo	361
6	Používanie v súlade s určeným účelom použitia	361
7	Technický opis	362
8	Ovládanie generátora	364
9	Čistenie generátora	370
10	Údržba generátora	371
11	Odstránenie porúch	376
12	Záruka	378
13	Likvidácia	378
14	Technické údaje	379

1 Vysvetlenie symbolov

**VÝSTRAHA!**

Bezpečnostný pokyn: Nerešpektovanie môže viesť k smrti alebo k ťažkému zraneniu.

**UPOZORNENIE!**

Bezpečnostný pokyn: Nerešpektovanie môže viesť k zraneniam.

**POZOR!**

Nerešpektovanie môže viesť k materiálnym škodám a môže ovplyvniť funkciu zariadenia.

**POZNÁMKA**

Doplňujúce informácie k obsluhu výrobku.

- ▶ **Konanie:** Tento symbol vám ukáže, že musíte niečo urobiť. Potrebné konania budú popísane krok za krokom.
- ✓ Tento symbol popisuje výsledok niektorého konania.

Obr. 1 5, strana 3: Tento údaj poukazuje na prvok v niektorom obrázku, v tomto príklade na „Pol. 5 v Obr. 1 na strane 3“.

2 Bezpečnostné pokyny

Výrobca v nasledujúcich prípadoch nepreberá za škody žiadnu záruku:

- Poškodenia produktu mechanickými vplyvmi a prepätiami
- Zmeny produktu bez vyjadreného povolenia výrobcu
- Použitie na iné účely ako sú účely uvedené v návode

Predovšetkým neručí za akékoľvek následné škody, zvlášť nie ani za následné škody, ktoré môžu vzniknúť následkom výpadku generátora.

Dodržiavajte nasledovné základné bezpečnostné pokyny pri používaní elektrických zariadení na ochranu pred:

- úrazom elektrickým prúdom
- nebezpečenstvom požiaru
- poraneniami

2.1 Základy bezpečnosti



VÝSTRAHA!

- **Elektrické prístroje nie sú hračkou pre deti!**
Deti nedokážu správne posúdiť riziká, ktoré predstavujú elektrické prístroje. Nenechávajte deti, aby používali elektrické prístroje bez dozoru.
- Osoby (vrátane detí), ktoré z dôvodu ich fyzických, zmyslových alebo duševných schopností alebo ich neskúsenosti alebo neznalosti nie sú schopné bezpečne používať tento prístroj, by ho nemali používať bez dozoru alebo poučenia zodpovednou osobou.
- Prístroj používajte len v súlade s jeho určeným používaním.
- Na prístroji neuskutočňujte žiadne zmeny alebo prestavby!
- Inštaláciu, údržbu a opravy generátora smú uskutočňovať len odborníci s príslušnou kvalifikáciou, ktorí sú oboznámení s rizikami spojenými s manipuláciou s generátormi a s príslušnými predpismi. Neodbornými opravami môžu vzniknúť značné nebezpečenstvá. V prípade opravy sa obráťte na pobočku výrobcu vo vašej krajine (adresy na opačnej strane).

- Odpadové plyny obsahujú oxid uhoľnatý, mimoriadne toxický, bezfarebný plyn bez zápachu. Výpary nevdychujte. Nenechajte motor bežať v zatvorenej garáži alebo v miestnosti bez okien.



UPOZORNENIE!

- Generátor sa smie používať len pri zatvorenej klapke.
- Odstráňte všetky ľahko zápalné materiály ako benzín, laky, rozpúšťadlá atď. z blízkosti generátora.
- Uistite sa, že žiadne rýchlo sa zohrievajúce časti generátora neprídu do kontaktu s ľahko zápalnými materiálmi.
- Palivo do generátora čerpajte len vtedy, keď je vypnutý a v dobre vetraných priestoroch. Benzín a skvapalnený plyn sú ľahko zápalné a môžu explodovať.
- Palivo do generátora nečerpajte pri zapnutom motore vozidla, keď sa nádrž nachádza v blízkosti generátora.
- **Len TEC29:** Ak sa benzín rozleje, dobre ho utrite a pred zapnutím motora počkajte, kým sa výpary stratia.
- **Len TEC29LPG:** Porovnajete údaje o tlaku na typovom štítku s údajmi o tlaku na nádobe so skvapalneným plynom.
- **Len TEC29LPG:** Flaše so skvapalneným plynom **nikdy** neuchovávajú na nevetraných miestach alebo pod úrovňou podlahy (lievikovité priehlbne v zemi).
- **Len TEC29LPG:** Flaše so skvapalneným plynom chráňte pred priamym slnečným žiarením. Teplota nesmie presiahnuť 50 °C.
- Nedotýkajte sa generátora a vedení vlhkými rukami.
- Poistky alebo termosplínače vymieňajte len za poistky a termosplínače s rovnakými technickými údajmi.
- Nezapínajte generátor do automatickej prevádzky v blízkosti zápalných zdrojov (napr. čerpacie stanice, v suchých terénoch s nebezpečenstvom vzniku lesných požiarov).



POZOR!

- **Len TEC29:** Benzínovú nádrž neplňte nadmerne. V hrdle nádrže sa nesmie nachádzať benzín. Skontrolujte, či je kryt správne zatvorený.

2.2 Bezpečnosť pri prevádzke zariadenia



VÝSTRAHA!

- Pri práci na zariadení vždy prerušte prívod elektrického prúdu.



POZOR!

- Zariadenie používajte len vtedy, keď kryt a vedenia nie sú poškodené.

3 Cieľová skupina tohto návodu

Tento návod na obsluhu sa obracia na používateľov generátora.

4 Obsah dodávky

TEC29

Označenie	Číslo výrobku
Generátor TEC29	9102900200
AG 102, prepínacie relé na realizáciu prioritného spínania	9102900013
Montážny návod	
Návod na obsluhu	

TEC29LPG

Označenie	Číslo výrobku
Generátor TEC29LPG	9102900179
AG 102, prepínacie relé na realizáciu prioritného spínania	9102900013
Montážny návod	
Návod na obsluhu	

5 Príslušenstvo

Dostupné ako príslušenstvo (nie je súčasťou dodávky):

Označenie dielcov	Číslo výrobku
Len TEC29 : AG 101, nádrž 15 l, plast	9102900009
Len TEC29 : AG 100, nádrž 20 l, nerez	9102900011
Len TEC29 : AG 150, hadicová súprava pre AG 100 / AG 101	9102900003
AG 125, ohybná kovová hadica na predĺženie vedenia odpadových plynov, 5 m	9102900138
AG 128, tesnenie pre TEC29	9102900040

6 Používanie v súlade s určeným účelom použitia

Generátory TEC29 (č. výrobku 9102900200) a TEC29LPG (č. výrobku 9102900179) sú dimenzované pre obytné automobily, obytné prívesy a komerčne používané vozidlá.

Generátor **nie** je vhodný na prevádzku v plavidlách.

Generátor vyrába čisté striedavé sínusové napätie 230 V/50 Hz, na ktoré možno pripojiť spotrebiče s celkovým stálym zaťažením 2 600 W. Kvalita prúdu je vhodná aj pre citlivé spotrebiče (napr. PC).

Generátor môže nabíjať batériu 12 V.

7 Technický opis

Generátory TEC29 a TEC29LPG pozostávajú z nasledovných hlavných prvkov (obr. **1**, strane 3):

- Spaľovací motor (**1**)
- Generátor striedavého prúdu (**2**) s trvalými magnetmi
- Invertor (**3**)
- Pripojovací panel (**4**)
- Diaľkové ovládanie (**5**)

Spaľovací motor (**1**) roztočí generátor striedavého prúdu (**2**), ktorý je s ním pevne spojený a tento vyrába striedavé napätie.

Invertor (**3**) premieňa toto striedavé napätie na stabilné napätie 230 V a 50 Hz.

V pripojovacom paneli (**4**) sú pripojovacie svorky, zdierka pre pripojovací kábel k diaľkovému ovládaniu (**5**) a hlavný spínač.

Prehľad všetkých konštrukčných častí:

- TEC29: obr. **10**, strane 8.
- TEC29LPG: obr. **11**, strane 9

Generátor ponúka nasledovné možnosti:

- Integrovaná nabíjačka na nabíjanie pripojenej batérie
- Automatická prevádzka na automatické nabíjanie pripojenej batérie (pri montáži sa musí príslušne nakonfigurovať).

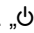
Ovládacie prvky na prípojnom boxe

Prípojný box sa nachádza na generátore za krytom.

Pol. na obr. 2 , strane 4	Opis	
1	Hlavný spínač	Zapne generátor do prevádzkovej pohotovosti alebo vypne jeho funkcie.
2	Len TEC29: Ochranný spínač	Elektromechanická ochrana proti preťaženiu.
3	Len TEC29LPG: Hlavná poistka	Spustí sa pri preťažení strany striedavého napätia. Keď sa tavná poistka aktivovala, musí sa vymeniť.
4	Len TEC29LPG: Poistka nabíjačky batérie	Spustí sa pri preťažení strany jednosmerného napätia. Keď sa tavná poistka aktivovala, musí sa vymeniť.

Ovládacie prvky na diaľkovom ovládaní

Diaľkové ovládanie je umiestnené v interiéri vozidla.

Pol. na obr. 3 , strane 4	Opis	
1	Displej	Zobrazuje hlásenia stavu.
2	Spínač zap./vyp. „  “	Zapne a vypne diaľkové ovládanie, keď je hlavný vypínač v polohe „I“, príp. „1“. Zastaví generátor.
3	Spúšťačie tlačidlo „START“	Naštartuje generátor, keď je diaľkové ovládanie zapnuté a hlavný vypínač je v polohe „I“, príp. „1“.
4	Len TEC29: Indikátor hladiny benzínu	Rozsvieti sa, keď je benzín na rezerve.
5	Indikátor hladiny oleja	Rozsvieti sa, keď je nízka hladina oleja v motore.

Oznamy na displeji

Pol. na obr. 3, strane 4	Opis	
6	Striedavé napätie	Aktuálne výstupné napätie
7	Trvalý výkon	Aktuálny výkon pripojených spotrebičov
8	Prevádzkové hodiny	Čas, ktorý je generátor v prevádzke
9	Jednosmerné napätie	Napätie batérie
10	Hlásenia	Hlásenie stavu generátora (pozri kap. „Hlásenia na displeji“ na strane 366)

8 Ovládanie generátora



POZOR!

Počas prvých 50 prevádzkových hodín (fáza zábehu), nevyužívajte generátor na viac ako 70 % maximálneho trvalého výkonu.



POZNÁMKA

Po fáze zábehu zaťažujte generátor maximálne na cca 75 % maximálneho trvalého výkonu. Takto môžete predĺžiť životnosť generátora a maximalizovať jeho výkon.

8.1 Základné pokyny na obsluhu



UPOZORNENIE! Nebezpečenstvo poranenia!

Do vzduchových dýz alebo nasávacej mriežky nestrkajte prsty alebo predmety.

Rešpektujte zásadné upozornenia:

- Pred každým použitím skontrolujte hladinu oleja (kap. „Kontrola hladiny oleja“ na strane 368).
- **Len TEC29LPG:** Pred každým použitím skontrolujte sprejom na zistenie netesností tesnosť prívodu plynu.
- Aj malé preťaženia vedú natrvalo k spusteniu ochranného spínača (**TEC29**) alebo poistiek (**TEC29LPG**).

- Po používaní nechajte generátor niekoľko minút bez spotrebiča v prevádzke, kým ho zastavíte.
- Ostré brzdenie, zrýchľovanie a jazda vozidla v zákrutách môže vyvolať problémy čerpaceho systému generátora a viesť k neželanému vypnutiu.
- Keď nepoužívate generátor dlhší čas, naštartujte ho aspoň každých 30 dní a nechajte ho minimálne 15 minút bežať.

8.2 Zapnutie generátora do prevádzkovej pohotovosti alebo vypnutie jeho funkcie

Hlavným vypínačom (obr. **2** 1, strane 4) na prípojnom boxe sa generátor zapne do prevádzkovej pohotovosti alebo sa vypne jeho funkcia.

8.3 Zapnutie a vypnutie diaľkového ovládania

Pomocou tlačidla zapnutia/vypnutia (obr. **3** 2, strane 4) na diaľkovom ovládaní sa zapína a vypína diaľkové ovládanie.

► Zapnite diaľkové ovládanie pomocou tlačidla zapnutia/vypnutia.

✓ Displej zobrazuje: *GEM OFF*.

Displej sa po 5 minútach automaticky vypne, keď sa počas tejto doby neaktivujete štartovacie tlačidlo.

Stlačením štartovacieho tlačidla môžete displej znova zapnúť.

✓ Teraz možno generátor zapnúť.

8.4 Spustenie generátora

Generátor je možné spustiť iba vtedy, keď je uvedený do stavu prevádzkovej pohotovosti a keď je zapnuté diaľkové ovládanie.



POZNÁMKA

Keď je generátor ešte teplý, stlačte na spustenie krátko štartovacie tlačidlo, keď je generátor studený, stlačte ho dlhšie.

► Generátor spustíte štartovacím tlačidlom (obr. **3** 3, strane 4).

8.5 Zastavenie generátora

► Generátor vypnite spínačom zap. (obr. **3** 2, strane 4).

Keď sa generátor nezastaví: Vypnite ho hlavným vypínačom (obr. **2** 1, strane 4).

8.6 Hlásenia na displeji

Hlásenie na displeji Opis	Správanie generátora	Opatrenia
<i>LOW BATTERY</i> Napätie batérie kleslo pod minimálnu hodnotu potrebnú na uskutočnenie pokusu o štart (9 V).	Generátor nenaskočí.	Nabite batériu.
<i>OIL CHANGE</i> Počítadlo prevádzkových hodín dosiahlo hodnotu určenú na výmenu oleja.	Generátor beží ďalej.	Vymeňte olej (pozri kap. „Výmena oleja (obr. 6 , strane 6)“ na strane 373), potom generátor znova spustíte dlhým stlačením štartovacieho tlačidla.
<i>NO FUEL</i> Benzín v nádrži je na rezerve.	Generátor beží ďalej.	Načerpajte benzín.
<i>OIL ALERT</i> Chýba motorový olej.	Generátor sa zastaví.	Doplňte olej (pozri kap. „Kontrola hladiny oleja“ na strane 368).
<i>GENERATOR ALERT!</i> Všeobecné výstražné hlásenia Príklad: Kontrolný krúžok škrtiaceho ventilu karburátora (krokový motor) je chybný.	Generátor sa zastaví.	Systém skontrolujte pomocou tabuľky Poruchy, príčiny a náprava. Ak problém pretrváva, obráťte sa na pobočku výrobcu vo vašej krajine (adresy na opačnej strane).
<i>OVERLOAD!</i> Spotrebič vytvára na výstupe preťaženie.	Invertor sa vypne, preto sa už neodovzdáva napätie, ale motor beží ďalej, kým nezhasne.	Zmenšite pripojenú záťaž a generátor znova spustíte.
<i>SHORT CIRCUIT</i> Spotrebič vytvára na výstupe skrat.	Invertor sa vypne, preto sa už neodovzdáva napätie, ale motor beží ďalej, kým nezhasne.	Skontrolujte stav pripojeného spotrebiča, potom generátor znova spustíte.

Hlásenie na displeji Opis	Správanie generátora	Opatrenia
<i>OVER TEMPERATURE</i> Prehriatie	Invertor sa vypne, preto sa už neodovzdáva napätie, ale motor beží ďalej, aby sa ochladil generátor.	Nechajte generátor vychladnúť, počkajte niekoľko minút, potom generátor znova spustíte.
<i>LOW POWER ENGINE</i> Pokles napájacieho napätia invertora.	Generátor sa zastaví.	Zmenšite pripojenú záťaž a generátor znova spustíte.
<i>RESTART GEN?</i> Hlásenie, ktoré sa objaví po zastavení generátora kvôli prehriatiu.	Generátor je vypnutý.	Generátor znova spustíte stlačením štartovacieho tlačidla.
<i>GEN CAL</i> Hlásenie, ktoré sa objaví pri spustení generátora. Označuje fázu kalibrácie, ktorá predchádza každý štart. Generátor ešte nevydáva žiadne napätie.	Generátor sa otáča, ale nevyrába napätie.	Počkajte chvíľu.
<i>GEN WAIT</i> Hlásenie, ktoré sa objaví vo fáze medzi dvomi pokusmi spustenia.	Generátor je vypnutý.	Počkajte, kým hlásenie zmizne, potom sa znovu pokúste o spustenie.
<i>GEN ON</i> Normálna prevádzka generátora.	Normálna prevádzka	–
<i>GEN OFF</i>	Generátor sa nachádza v pohotovostnom režime a môže sa spustiť.	–
<i>AUTO?</i> Hlásenie, ktoré sa objaví pri zapnutí automatickej prevádzky	Riadenie čaká na zadanie používateľa	V priebehu 20 sekúnd stlačte štartovacie tlačidlo a podržte ho stlačené 3 sekundy.
<i>AUTO</i> Automatická prevádzka	Automatická prevádzka je zapnutá.	–

8.7 Kontrola hladiny oleja



UPOZORNENIE!

Horúci olej môže spôsobiť popáleniny.
Skontrolujte hladinu oleja pri vypnutom generátore.



POZNÁMKA

Generátor musí byť vo vodorovnej polohe.

Pred každým použitím skontrolujte hladinu oleja. Postupujte takto:

- Otvorte klapku generátora.
- Vypnite generátor hlavným vypínačom (obr. 4 1, strane 5).
- Odpojte kladný pól napájacej batérie.
- Vytiahnite odmerku (obr. 4 2, strane 5) z plniaceho hrdla (obr. 4 3, strane 5).
- Vyčistite odmerku (obr. 4 2, strane 5) handrou.
- Vsuňte odmerku (obr. 4 2, strane 5) celkom do plniaceho hrdla (obr. 4 3, strane 5).
- Vytiahnite odmerku (obr. 4 2, strane 5) z plniaceho hrdla.
- Skontrolujte, či je hladina oleja medzi zárezom (maximálna hladina) a hrotom odmerky (obr. 4 4, strane 5).
Ak nie, olej doplňte.
- Vsuňte odmerku (obr. 4 2, strane 5) celkom do plniaceho hrdla (obr. 4 3, strane 5).
- Spojte generátor s kladným pólom napájacej batérie.
- Zapnite generátor hlavným vypínačom (obr. 4 1, strane 5) do stavu prevádzkovej pohotovosti.
- Zatvorte klapku generátora.

8.8 Zapnutie automatickej prevádzky

Automatickú prevádzku môžete zapnúť len:

- keď bola nakonfigurovaná pri montáži generátora
- keď vozidlo stojí a zapaľovanie je vypnuté
- keď je spínač automatickej prevádzky (ak je k dispozícii) zapnutý

V automatickej prevádzke naskočí generátor automaticky, keď je napätie pripojenej batérie príliš nízke a nabíja batériu.

Generátor sa automaticky vypne, keď je batéria plne nabitá.

Takto zapnete automatickú prevádzku:

- Zapnite spínač automatickej prevádzky (ak je k dispozícii).
- Vypnite zapaľovanie.
- Zapnite diaľkové ovládanie stlačením spínača zap./vyp.
- ✓ Na displeji sa zobrazí: *AUTO?*



POZNÁMKA

Keď displej zobrazuje *GEN OFF* namiesto *AUTO?*, na vašom generátore nebola nakonfigurovaná automatická prevádzka. Obráťte sa v takom prípade na váš servis, ktorý uskutočnil montáž a dajte si nakonfigurovať automatickú prevádzku.

- Stlačte v priebehu 20 sekúnd štartovacie tlačidlo a podržte ho stlačené 3 sekundy.
- ✓ Na displeji sa zobrazí: *AUTO*.
- Automatický režim je zapnutý.



POZNÁMKA

V automatickom režime nemôže generátor spustiť štartovacím tlačidlom. Generátor naskočí automaticky. Generátor môžete zapnúť a vypnúť spínačom automatickej prevádzky (ak je k dispozícii).

8.9 Vypnutie automatickej prevádzky

➤ Vypnite spínač automatickej prevádzky (ak je k dispozícii).

alebo ...

➤ Zapnite zapaľovanie.

✓ Na displeji sa zobrazí: *GEN OFF*.

9 Čistenie generátora



POZOR! Nebezpečenstvo poškodenia!

- Generátor nečistíte vysokotlakovým čističom. Voda, ktorá by vnikla do generátora, ho môže poškodiť.
- Nepoužívajte na čistenie ostré alebo tvrdé predmety alebo čistiace prostriedky, pretože to môže viesť k poškodeniu generátora.
- Na čistenie strešného generátora používajte len vodu so šetrným čistiacim prostriedkom. V žiadnom prípade nepoužívajte benzín, naftu alebo rozpúšťadlá.

➤ Teleso generátora príležitostne vyčistite vlhkou handričkou.

➤ Pravidelne odstraňujte nečistoty z vetracích otvorov generátora. Dbajte na to, aby ste pri tejto nečinnosti nepoškodili lamely generátora.

10 Údržba generátora

10.1 Tabuľka vykonávania údržby



VÝSTRAHA!

Údržbu smú vykonávať len odborníci, ktorí sú oboznámení s príslušnými predpismi. Neodborne vykonanými údržbovými činnosťami môžu vzniknúť značné nebezpečenstvá.



POZNÁMKA

Nasledovné činnosti údržby musia byť vykonávané v uvedených intervaloch alebo podľa uvedeného počtu prevádzkových hodín, v závislosti od toho, čo sa splní skôr.

Interval	Kontrola/údržba
V prvom mesiaci alebo po 20 hodinách	<ul style="list-style-type: none"> ➤ Dajte vymeniť olej. ➤ Dajte vykonať údržbu vzduchového filtra (kap. „Údržba vzduchového filtra (obr. 7, strane 6)“ na strane 373).
Každé 3 mesiace alebo po 50 hodinách	<ul style="list-style-type: none"> ➤ Dajte vykonať údržbu vzduchového filtra (kap. „Údržba vzduchového filtra (obr. 7, strane 6)“ na strane 373).
Každých 6 mesiacov alebo po 100 hodinách	<ul style="list-style-type: none"> ➤ Dajte vymeniť olej. ➤ Zabezpečte údržbu zapaľovacej sviečky (kap. „Údržba zapaľovacej sviečky“ na strane 375).
Raz ročne alebo po 300 hodinách	<ul style="list-style-type: none"> ➤ Zabezpečte údržbu ventilov. ➤ Len TEC29: Zabezpečte údržbu benzínovej nádrže a pali- vového filtra. ➤ Dajte vykonať údržbu tlmiča vibrácií.
Každé 2 roky	<ul style="list-style-type: none"> ➤ Len TEC29: Zabezpečte údržbu benzínových vedení. ➤ Len TEC29LPG: Zabezpečte údržbu plynových vedení.

10.2 Príprava činností údržby



UPOZORNENIE!

Pri všetkých činnostiach údržby dodržiavajte nasledovné:

- Generátor nesmie byť v prevádzke.
- Jeho časti musia byť vychladnuté.

- Vypnite generátor hlavným vypínačom (obr. **4** 1, strane 5).
- Odpojte kladný pól napájacej batérie.
- Otvorte klapku generátora.

Pred údržbou môžete generátor vytiahnuť (obr. **5**, strane 5):



VÝSTRAHA!

Podkladová doska s generátorom je veľmi ťažká (> 40 kg) a môže z krytu vypadnúť, keď sa príliš ďaleko vytiahne.

- Uvoľnite upevňovacie skrutky (1).
- Vytiahnite podkladovú dosku (2) s generátorom z krytu (3).

10.3 Ukončenie činností údržby

- Spojte generátor s kladným pólom napájacej batérie.
- Zapnite generátor hlavným vypínačom (obr. **4** 1, strane 5) do stavu prevádzkovej pohotovosti.
- Zatvorte klapku generátora.

10.4 Výmena oleja (obr. 6, strane 6)

**UPOZORNENIE!**

Horúci olej môže spôsobiť popáleniny.

**POZOR!**

Použitý olej bezpodmienečne odovzdajte špecializovaným firmám na likvidáciu a dodržiavajte zákony príslušnej krajiny týkajúce sa ochrany životného prostredia.

Môžete používať nasledovné oleje:

- Olej pre štvortaktné motory triedy API SG alebo SF.
- Olej triedy SAE 10W-30 (možné použitie pri všetkých teplotách).
- Olej s jednorozsahovou viskozitou.
Zvoľte vhodnú viskozitu v závislosti od priemernej miestnej teploty.

Olej vymeňte nasledovne:

- Nechajte generátor zahriať behom tri až päť minút, aby bol olej tekutejší a rýchlo celkom vytiekol.
- Pod vypúšťaciu skrutku postavte vhodnú nádobu (1).
- Odoberte vypúšťaciu skrutku (1).
- ✓ Olej vytečie.
- Nalejte čerstvý olej cez plniace hrdlo.
Množstvo oleja: 0,6 l.

10.5 Údržba vzduchového filtra (obr. 7, strane 6)

**VÝSTRAHA! Nebezpečenstvo výbuchu!**

Na čistenie vzduchového filtra nepoužívajte naftu alebo rozpúšťadlá s nízkym bodom odparovania. Mohli by sa vznietiť alebo explodovať.

**POZOR!**

Nikdy nenechajte bežať motor bez vzduchového filtra. Ináč sa motor rýchlo opotrebuje.

**POZNÁMKA**

Keď je vzduchový filter znečistený, prúd vzduchu do karburátora sa zmenšuje. Aby karburátor fungoval, mali by ste pravidelne kontrolovať stav filtra. Skontrolujte ho častejšie, keď sa generátor používa v mimoriadne prašnom prostredí.

- Pripravte činnosti údržby a povytiahnite generátor z krytu: pozri kap. „Príprava činností údržby“ na strane 372.
- Odstráňte krídlovú maticu (1) a kryt filtra (2).
- Odstráňte krídlovú maticu (3).
- Odoberte vzduchový filter (4).
Vzduchový filter pozostáva z dvoch prvkov: špongievého filtra a papierového filtra.
- Starostlivo skontrolujte stav oboch filtračných prvkov. Poškodené filtračné prvky vymeňte.
- Vyčistite nepoškodené filtračné prvky: pozri nasledujúce odseky.
- Ukončíte činnosti údržby: pozri kap. „Ukončenie činností údržby“ na strane 372.

Čistenie špongievého filtra

- Umyte špongiu neutrálnym umývacím roztokom a starostlivo ju opláchnite.
- Špongiu nechajte úplne vyschnúť.
- Napustite špongiu čistým motorovým olejom.
- Prebytočný olej vytlačte.

Čistenie papierového filtra

- Odstráňte z papiera nečistoty opakovaným ľahkým búchaním filtra o tvrdú plochu alebo zvonku a zvnútra vyfúkajte filter stlačeným vzduchom.
Papier **nekefujte**, pretože nečistoty by tak vnikli do vlákien papierového filtra.
- V prípade silného znečistenia papierový filter vymeňte.

10.6 Údržba zapalovacej sviečky



POZOR!

- Zapalovaciu sviečku starostlivo utiahnite. Zapalovacia sviečka, ktorá nie je pevne utiahnutá, sa môže veľmi zohriať a poškodiť motor.
- Používajte výlučne zapalovacie sviečky porovnateľných parametrov.
- Keď používate novú zapalovaciu sviečku, dotiahnite ju o 1/2 otáčky, keď pevne dosadá na podložku. Keď používate použitú zapalovaciu sviečku, stačí 1/8 alebo 1/4 otáčky.

- Pripravte činnosti údržby: pozri kap. „Príprava činností údržby“ na strane 372.
- Odoberte káblovú koncovku zapalovacej sviečky.
- Vyberte zapalovaciu sviečku kľúčom na sviečky.
- Skontrolujte vizuálne zapalovaciu sviečku.
Keď je zapalovacia sviečka očividne opotrebovaná alebo izolátor je poškodený alebo nalomený, zapalovaciu sviečku vymeňte.
Keď je zapalovacia sviečka znečistená, vyčistite ju ocelovou kefkou.
- Odmerajte vzdialenosť medzi elektródami hrúbkomerom (obr. **8**, strane 7). Musí mať 0,7 – 0,8 mm a v prípade potreby sa dá korigovať ohnutím elektródy.
- Skontrolujte, či je tesnenie zapalovacej sviečky neporušené.
- Ak je neporušené, zaskrutkujete rukou zapalovaciu, aby sa nepoškodil závit.
- Zapalovaciu sviečku dotiahnite kľúčom na sviečky tak, aby sa podložka stlačila.
- Ukončíte činnosti údržby: pozri kap. „Ukončenie činností údržby“ na strane 372.

11 Odstránenie porúch

Porucha	Príčina	Odstránenie
Po stlačení tlačidla zapnutia/vypnutia sa diaľkové ovládanie nezapne.	Štartovacia batéria je prázdna.	➤ Nabite štartovaciu batériu.
	Elektrický kábel je prerušený alebo zástrčka je vytiahnutá.	➤ Obráťte sa na špecializovaný servis.
Po stlačení štartovacieho tlačidla sa štartér nespustí.	Ukostrovací kábel generátora je prerušená alebo poisťka (ak je k dispozícii) spustená.	
	Štartovacia batéria je prázdna.	➤ Nabite štartovaciu batériu.
	Hlavný vypínač je na „0“.	➤ Nastavte hlavný vypínač do polohy „I“, príp. „1“.
	Hriadeľ štartéra je znečistený.	➤ Vyčistite hriadeľ štartéra.
	Príliš veľa oleja v motore.	➤ Vypustite olej.
	Invertor je poškodený.	➤ Obráťte sa na špecializovaný servis.
Štartér nemá prívod prúdu.	Elektrický kábel je prerušený alebo zástrčka je vytiahnutá.	
	Ukostrovací kábel generátora je prerušená alebo poisťka (ak je k dispozícii) spustená.	
Štartér sa otáča, ale generátor nenaskočí.	Nie je benzín/LPG.	➤ Doplníte benzín/LPG.
	Zapaľovacia sviečka nemá prívod prúdu.	➤ Skontrolujte elektrické spojenia.
	Do karburátora sa nedostáva benzín.	➤ Vyčistite karburátor.
	Nasávanie vzduchu upchaté.	➤ Skontrolujte vzduchový filter (pozri kap. „Údržba vzduchového filtra (obr. 7, strane 6)“ na strane 373).
	Teplota okolia je nižšia ako 0 °C.	➤ Použite čistý propán.
	Invertor je poškodený.	➤ Obráťte sa na špecializovaný servis.
	Elektrický kábel je prerušený alebo zástrčka je vytiahnutá.	

Porucha	Príčina	Odstránenie
Generátor má tendenciu zhasnúť.	Príliš veľa oleja v motore.	➤ Vypustite olej.
	Záťaž nad 2,6 kW.	➤ Vypnite spotrebiče.
	Do karburátora sa nedostáva benzín.	➤ Vyčistite karburátor.
	Nasávanie vzduchu upchaté.	➤ Skontrolujte vzduchový filter (pozri kap. „Údržba vzduchového filtra (obr. 7, strane 6)“ na strane 373).
	Invertor je poškodený.	➤ Obráťte sa na špecializovaný servis.
	Elektromagnet je zablokovaný.	
	Vzduchový filter je znečistený.	
Generátor naskočil, ale nevyrába napätie.	Invertor je poškodený.	➤ Obráťte sa na špecializovaný servis.
	Krokový motor je chybný alebo kábel je prerušený,	
	Elektromagnet je zablokovaný.	
	Škrtiaci ventil je zablokovaný.	
Generátor sa spúšťa so silným zrýchlením a potom zastane s hlášením „GENERATOR ALERT“.	Invertor je poškodený.	➤ Obráťte sa na špecializovaný servis.
	Krokový motor je chybný alebo kábel je prerušený,	
Vyrobené napätie je nestále.	Invertor je poškodený.	➤ Obráťte sa na špecializovaný servis.
	Krokový motor je chybný alebo kábel je prerušený,	

12 Záruka

Platí zákonom stanovená záručná lehota. Ak by bol výrobok chybný, obráťte sa na servisného partnera vo vašej krajine (adresy pozri na zadnej strane návodu).

Naši špecialisti vám radi pomôžu a dohodnú s vami ďalší priebeh záruky.

13 Likvidácia

- Obalový materiál podľa možnosti odovzdajte do príslušného odpadu na recykláciu.



Keď výrobok definitívne vyradíte z prevádzky, informujte sa v najbližšom recyklačnom stredisku alebo u vášho špecializovaného predajcu o príslušných predpisoch týkajúcich sa likvidácie.




Chráňte životné prostredie!

Akumulátory a batérie nepatria do domového odpadu.

Poškodené akumulátory alebo spotrebované batérie odovzdajte priamo u predajcu alebo v zbernom mieste.

14 Technické údaje

	Dometic TEC29	Dometic TEC29LPG
Č. výrobku:	9102900200	9102900179
Výstupné menovité napätie:	230 V~ / 50 Hz	
Max. trvalý výkon (pri 25 °C na úrovni mora):	2600 W	
Výstupné napätie nabíjačky batérie:	12 V===	
Max. výstupný prúd nabíjačky batérie:	10 A	
Rozsah prevádzkovej teploty:	-15 °C až +50 °C	-15 °C až +50 °C (závisí od podielu propánu v LPG)
Činiteľ harmonického skreslenia:	1 %	
Palivo:	Benzín normál ROZ 91	Skvapalnený plyn LPG
Spotreba:	300 g/kWh max. 1,2 l/h	408 g/kWh max. 1,0 kg/h
Výkon motora	4,0 kW (5,5 PS)	
Garantovaná hladina zvuku:	86 dB(A)	
Hladina zvuku vo vzdialenosti 7 m:	54 – 59 dB(A)	
Rozmery:	pozri obr. 9 , strane 7	
Hmotnosť:	44 kg	
Skúška/certifikát:		

A készülék használata előtt gondosan olvassa el és őrizze meg ezt a használati útmutatót. Ha a készüléket továbbadja, mellékelje hozzá a használati útmutatót is.

Tartalomjegyzék

1	A szimbólumok magyarázata	381
2	Biztonsági tudnivalók	382
3	Az útmutató célcsoportja	384
4	Szállítási terjedelem	384
5	Tartozék	385
6	Rendeltetésszerű használat	385
7	Műszaki leírás	385
8	A generátor kezelése	388
9	A generátor tisztítása	394
10	A generátor karbantartása	395
11	Üzemzavarok elhárítása	400
12	Szavatosság	402
13	Ártalmatlanítás	402
14	Műszaki adatok	403

1 A szimbólumok magyarázata

**FIGYELMEZTETÉS!**

Biztonsági tudnivaló: Az utasítás figyelmen kívül hagyása halált vagy súlyos sérülést okozhat.

**VIGYÁZAT!**

Biztonsági tudnivaló: Az utasítás figyelmen kívül hagyása sérüléseket okozhat.

**FIGYELEM!**

Ha nem veszi figyelembe az információt, az anyagkárosodást eredményezhet, és káros kihatással lehet a termék működésére.

**MEGJEGYZÉS**

Kiegészítő információk a termék kezelésével kapcsolatosan.

- ▶ **Tevékenység:** Ez a szimbólum jelzi, hogy tennie kell valamit. A szükséges tevékenységek lépésről-lépésre követhetők.
- ✓ Ez a szimbólum egy tevékenység eredményét jelzi.

1 ábra 5, 3. oldal: Ez az információ egy ábra egyik elemére utal, jelen példában az „5. tételre az 1. ábrán, a 3. oldalon”.

2 Biztonsági tudnivalók

A gyártó a bekövetkező károkért a következő esetekben nem vállal felelőséget:

- a termék mechanikai behatások és túlfeszültségek miatti sérülése
- a termék kifejezett gyártói engedély nélküli módosítása
- az útmutatóban leírt céloktól eltérő felhasználás

A gyártó különösen nem felel következményes károkért, valamint a generátor üzemkimaradása esetén bekövetkező következményes károkért sem.

Elektromos készülékek használata előtt vegye figyelembe az alábbi alapvető biztonsági intézkedéseket az alábbi veszélyek elleni védelem érdekében:

- áramütés
- tűzveszély
- sérülések

2.1 Alapvető biztonság



FIGYELMEZTETÉS!

- **Az elektromos készülékek nem játékszerek!**

A gyermekek az elektromos készülékekből eredő veszélyeket nem tudják ténylegesen felmérni. Soha ne hagyja, hogy gyermekek felügyelet nélkül elektromos készülékeket használjanak.

- Azok a személyek (beleértve a gyermekeket is), akik fizikai, érzékszervi vagy szellemi képességeik vagy tapasztalatlanságuk vagy tudatlanságuk miatt a készüléket nem tudják biztonságosan használni, a készüléket nem használhatják felügyelet vagy felelős személy utasítása nélkül.
- A készüléket csak rendeltetésszerűen használja.
- Ne végezzen módosításokat vagy átépítéseket a készüléken.
- A generátor szerelését, karbantartását és javításait csak a hűtőközegek és klímaberendezések kezelését és a vonatkozó előírásokat ismerő szakemberek végezhetik. A szakszerűtlen javítások jelentős veszélyeket okozhatnak. Javítás esetén forduljon a gyártó illetékes képviselőjéhez (a címek a hátoldalon találhatóak).

- A kipufogógázok szénmonoxidot (különösen mérgező, szag- és színtelen) gázt tartalmaznak. Ne lélegezze be a kipufogógázokat. Ne járassa a generátor motorját zárt garázsban vagy ablak nélküli helyiségben.



VIGYÁZAT!

- A generátor kizárólag zárt ellenőrző ajtó mellett használható.
- Távolítson el minden könnyen éghető anyagot (például benzint, lakkokat, oldószereket stb.) a generátor közeléből.
- Győződjön meg arról, hogy a generátor forróvá váló részei nem érintkeznek könnyen éghető anyagokkal.
- A generátor tartályát csak a generátor kikapcsolt állapotában és jól szellőző területen töltsse fel. A benzin és a folyékony gáz könnyen gyulladó anyagok, és fel is robbanhatnak.
- Ne töltsse fel a generátor tartályát beindított járműmotor esetén, ha a tartály a generátor közelében van.
- **Csak TEC29:** Ha kiönti a benzint, gondosan törölje fel, és a motor bekapcsolásával várjon addig, míg az üzemanyag gőzei eltávoznak.
- **Csak TEC29LPG:** Hasonlítsa össze az adattáblán lévő nyomásadatot a folyékonygáz-palackon lévő nyomásadattal.
- **Csak TEC29LPG: Soha** ne tárolja a folyékonygáz-palackokat szellőzés nélküli helyeken vagy a talajszint alatt (tölcsérszerű bemélyedésekben).
- **Csak TEC29LPG:** Védje a folyékonygáz-palackokat a közvetlen napsugárzástól. A hőmérséklet 50 °C-nál nem lehet magasabb.
- Ne érintse meg a generátort és a vezetékeket nedves kézzel.
- A biztosítékokat csak azonos műszaki adatokkal rendelkező biztosítékokra cserélje.
- Ne kapcsolja a generátort tűzveszélyforrások (például benzin-kutak, erdőtűz-veszélyeztetett száraz környezet) közelében automata üzemmódba.



FIGYELEM!

- **Csak TEC29:** Ne töltsse túlságosan tele a benzintartályt. A tartály nyakánál nem szabad benzinnek lennie. Ellenőrizze, hogy a fedél megfelelően zárva van-e.

2.2 Biztonság a készülék üzemeltetése során



FIGYELMEZTETÉS!

- A készüléken végzendő munkák előtt mindig szakítsa meg az áramellátást.



FIGYELEM!

- A készüléket csak akkor üzemeltesse, ha a ház és a vezetékek sérülésmentesek.

3 Az útmutató célcsoportja

Jelen kezelési útmutató a generátor felhasználójának szól.

4 Szállítási terjedelem

TEC29

Megnevezés	Cikkszám
TEC29 generátor	9102900200
AG 102, átkapcsolórelé elsőbbségi kapcsolás megvalósításához	9102900013
Szerelési útmutató	
Kezelési útmutató	

TEC29LPG

Megnevezés	Cikkszám
TEC29LPG generátor	9102900179
AG 102, átkapcsolórelé elsőbbségi kapcsolás megvalósításához	9102900013
Szerelési útmutató	
Kezelési útmutató	

5 Tartozék

Tartozékként kapható (nincs mellékelve):

Alkatrész-megnevezés	Cikkszám
Csak TEC29: AG 101, tartály 15 l, műanyag	9102900009
Csak TEC29: AG 100, tartály 20 l, rozsdamentes acél	9102900011
Csak TEC29: AG 150, tömlőkészlet AG 100 / AG 101 számára	9102900003
AG 125, rugalmas fémtömlő a kipufogóvezeték meghosszabbításához, 5 m	9102900138
AG 128, tömítés TEC29-hez	9102900040

6 Rendeltetésszerű használat

A TEC29 (9102900200 cikkszám) és TEC29LPG (9102900179 cikkszám) generátorokat lakóautókban, lakókocsikban és kereskedelmi használatú járművekben való használatra tervezték.

A generátor **nem** alkalmas vízi járművekbe való beszerelésre.

A generátor 230 V / 50 Hz tiszta szinuszos váltakozó feszültséget generál, amelyre 2600 W tartós összterhelésű fogyasztók csatlakoztathatók. Az áramminőség érzékeny fogyasztók (például számítógépek) ellátására is alkalmas.

A generátor 12 V-os akkumulátort is tölthet.

7 Műszaki leírás

A TEC29 és a TEC29LPG generátorok a következő fő elemekből áll (1. ábra, 3. oldal):

- Belső égésű motor (1)
- Váltakozóáramú generátor (2) állandó mágnesekkel
- Inverter (3)
- Csatlakozópanel (4)
- Távirányító (5)

A belső égésű motor (1) forgásba hozza a vele összekapcsolt váltakozóáramú generátort (2), mely váltakozó feszültséget hoz létre.

Az inverter (3) ezt a váltakozó feszültséget 230 V-os és 50 Hz-es stabil feszültséggé alakítja át.

A csatlakozópanelen (4) található meg a csatlakozókapcsok, a távirányító (5) csatlakozókábelének aljzata és a főkapcsoló.

Az alkatrészek áttekintése:

- TEC29: **10.** ábra, 8. oldal.
- TEC29LPG: **11.** ábra, 9. oldal

A generátor a következő lehetőségeket kínálja:

- Integrált akkumulátortöltő a csatlakoztatott akkumulátor feltöltéséhez
- Automatikus üzem a csatlakoztatott akkumulátor automatikus feltöltése érdekében (a beépítéskor megfelelően kell konfigurálni).

A csatlakozódobozon elhelyezett kezelőelemek

A csatlakozódoboz a generátoron, a burkolat mögött található.

Tétel (2. ábra, 4. oldal)	Leírás	
1	Főkapcsoló	A generátort üzemképes vagy funkciómentes állapotba kapcsolja.
2	Csak TEC29: Védőkapcsoló	Elektromágneses túlterhelésvédelem.
3	Csak TEC29LPG: Főbiztosíték	A váltakozó feszültségű oldal túlterhelése esetén kiold. Az olvadóbiztosítékot ki kell cserélni, ha kioldott.
4	Csak TEC29LPG: Akkumulátortöltő biztosítéka	Az egyenfeszültségű oldal túlterhelése esetén kiold. Az olvadóbiztosítékot ki kell cserélni, ha kioldott.

A távirányítón lévő kezelőelemek

A távirányító a jármű belsejében van elhelyezve.

Tétel (3. ábra, Leírás 4. oldal)		
1	Megjelenítő	Az állapotüzeneteket jeleníti meg.
2	„0” be-/kikapcsoló	Ha a főkapcsoló „I” ill. „1” állásban van, akkor a távirányító be és ki kapcsol. Leállítja a generátort.
3	„START” indítógomb	Ha a távirányító be van kapcsolva és a főkapcsoló „I” ill. „1” állásban van, akkor a generátor elindul.
4	Csak TEC29: Benzinkijelző	Világít, ha a benzin tartalékon van.
5	Olajkijelző	Világít, ha a motorban lévő olajsint túl alacsony.

Kijelzőmegjelenítések

Tétel (3. ábra, Leírás 4. oldal)		
6	Váltakozó feszültség	Aktuális kimeneti feszültség
7	Tartós teljesítmény	A csatlakoztatott fogyasztók aktuális teljesítménye
8	Üzemórák	A generátor üzemelésének időtartama
9	Egyenfeszültség	Akkumulátorfeszültség
10	Üzenetek	A generátor állapotüzenete (lásd: „Kijelzőüzenetek” fej., 390. oldal)

8 A generátor kezelése



FIGYELEM!

Az első 50 üzemóránban (bejáratási időszak) még ne terhelje a generátort a maximális tartós teljesítmény 70 %-ánál nagyobb mértékben.



MEGJEGYZÉS

A generátort a bejáratási időszak után legfeljebb a maximális tartós teljesítmény 75 %-ával terhelje. Ezzel meghosszabbítja a generátor élettartamát és maximalizálja a teljesítményét.

8.1 A kezelésre vonatkozó alapvető megjegyzések



VIGYÁZAT! Sérülésveszély!

Ne dugja be az ujját vagy más tárgyakat a légnyílásokba.

Vegye figyelembe a következő alapvető megjegyzéseket:

- Minden felhasználás előtt ellenőrizze az olajsintet („Az olajsint ellenőrzése” fej., 392. oldal).
- **Csak TEC29LPG:** Minden egyes használat előtt szivárgáskereső spray használatával ellenőrizze a gáz bevezetésének tömítettségét.
- Hosszú távon már kis túlterhelések is a védőkapcsoló (**TEC29**) vagy a biztosítékok (**TEC29LPG**) kioldását okozhatják.
- Használat után, megállítás előtt járassa még a generátort néhány percig terhelés nélküli üzemben.
- A jármű hirtelen lefékezése, gyorsítása és kanyarban való haladása problémát okozhat a generátor szivattyúrendszerében és annak akaratlan kikapcsolódását okozhatja.
- Ha a generátort hosszabb ideig nem használja, akkor legalább 30 naponként indítsa el és járassa legalább 15 percig.

8.2 A generátor üzembesz vagy funkciómentes állapotba kapcsolása

A generátor a csatlakozódobozon lévő főkapcsolóval (**2**. ábra 1, 4. oldal) kapcsolható üzembesz vagy funkciómentes állapotba.

8.3 A távirányító be- és kikapcsolása

A távirányító a távirányítón lévő be-/kikapcsolóval (3. ábra 2, 4. oldal) kapcsolható be vagy ki.

➤ Kapcsolja be a be-/kikapcsolóval a távirányítót.

✓ A kijelzőn az alábbi jelenik meg: *GEN OFF*.

A kijelző 5 perc után automatikusan kikapcsol, ha ezen idő alatt az indítógomb nem lett működtetve.

Az indítógomb megnyomásával a kijelző újból bekapcsolható.

✓ A generátor most már indítható.

8.4 A generátor indítása

A generátor csak akkor indítható, ha üzembesz állapotba van kapcsolva és ha a távirányító be van kapcsolva.



MEGJEGYZÉS

Még meleg generátor esetén az indításhoz csak rövid ideig nyomja meg az indítógombot; hideg generátor esetén hosszabban.

➤ Indítsa el a generátort az indítógommbal (3. ábra 3, 4. oldal).

8.5 A generátor leállítása

➤ Állítsa le a generátort a be-/kikapcsolóval (3. ábra 2, 4. oldal).

Ha a generátor nem áll le: Kapcsolja ki a főkapcsolóval (2. ábra 1, 4. oldal).

8.6 Kijelzőüzenetek

Kijelzőüzenet Leírás	A generátor viselkedése	Intézkedések
LOW BATTERY Az akkumulátorfeszültség az indítási kísérletek végrehajtásához szükséges minimális érték (9 V) alá csökkent.	A generátor nem indul el.	Töltse fel az akkumulátort.
OIL CHANGE Az üzemórák száma elérte a motorolajcserére előzetesen megadott értéket.	A generátor tovább jár.	Hajtsa végre az olajcserét (lásd: „Az olaj cseréje (6. ábra, 6. oldal)” fejj., 396. oldal), majd indítsa el ismét a generátort az indítógomb nyomva tartásával.
NO FUEL A tartályban lévő üzemanyag tartalékon áll.	A generátor tovább jár.	Töltsön be üzemanyagot.
OIL ALERT Motorolaj hiányzik.	A generátor leáll.	Töltsön utána olajat (lásd: „Az olajsint ellenőrzése” fejj., 392. oldal).
GENERATOR ALERT! Általános riasztás Példa: A porlasztó (léptetőmotor) fojtószelepének vezérlőgyűrűje meghibásodott.	A generátor leáll.	Ellenőrizze a rendszert az „Üzemzavarok elhárítása” táblázat (400. oldal) segítségével. Ha a probléma továbbra is fennáll, akkor forduljon a gyártó képviselőjéhez (a címetek lásd jelen útmutató hátoldalán).
OVERLOAD! A fogyasztók a kimeneten túlterhelést okoznak.	Az inverter kikapcsol; emiatt többé nem jelenik meg feszültség a kimeneten, de a motor a leállásig még jár.	Csökkentse a csatlakoztatott terhelést és indítsa el újból a generátort.
SHORT CIRCUIT A fogyasztók a kimeneten rövidzárlatot okoznak.	Az inverter kikapcsol; emiatt többé nem jelenik meg feszültség a kimeneten, de a motor a leállásig még jár.	Ellenőrizze a csatlakoztatott fogyasztók állapotát, majd indítsa újra a generátort.
OVER TEMPERATURE Túlmelegedés	Az inverter kikapcsol; emiatt többé nem jelenik meg feszültség a kimeneten, de a motor a generátor hűtése érdekében még jár.	Hagyja kihűlni a generátort, várjon néhány percet, majd indítsa újra a generátort.

Kijelzőüzenet Leírás	A generátor viselkedése	Intézkedések
<i>LOW POWER ENGINE</i> Az inverter tápfeszültségének leesése.	A generátor leáll.	Csökkentse a csatlakoztatott terhelést és indítsa el újból a generátort.
<i>RESTART GEN?</i> A generátor túlmelegedés utáni leállítását követően megjelenő üzenet.	A generátor ki van kapcsolva.	A generátor újbóli elindításához nyomja meg az indító-gombot.
<i>GEN CAL</i> A generátor indításánál megjelenő üzenet; a valamennyi indítást megelőző kalibrálási időszakot jelzi. A generátor még nem ad le feszültséget.	A generátor forog, de nem generál feszültséget.	Várjon néhány másodpercig.
<i>GEN WAIT</i> Két indítási kísérlet közötti szünetben megjelenő üzenet.	A generátor ki van kapcsolva.	Várjon az üzenet eltűnéséig; ezt követően tegyen újabb indítási kísérletet.
<i>GEN ON</i> A generátor normál üzeme.	Normál üzem	–
<i>GEN OFF</i>	A generátor Standby módban van és elindítható.	–
<i>AUTO?</i> Az automatikus üzem bekapcsolásakor megjelenő üzenet.	A vezérlés felhasználói kezelésre várakozik.	20 másodpercen belül nyomja meg az indító gombot és tartsa lenyomva 3 másodpercig.
<i>AUTO</i> Automatikus üzemmód	Az automatikus üzemmód be van kapcsolva.	–

8.7 Az olajsint ellenőrzése



VIGYÁZAT!

A forró olaj égéseket okozhat.
Az olajsintet csak kikapcsolt generátornál ellenőrizze.



MEGJEGYZÉS

A generátornak vízszintesen kell lennie.

Minden felhasználás előtt ellenőrizze az olajsintet. Ehhez a következő módon járjon el:

- ▶ Nyissa ki a generátor ajtaját.
- ▶ Kapcsolja a generátort a főkapcsolóval (4. ábra 1, 5. oldal) funkciómentes állapotba.
- ▶ Válassza le az ellátó akkumulátor plusz pólusához csatlakozó vezetékét.
- ▶ Húzza ki a nivópalcát (4. ábra 2, 5. oldal) a betöltőcsonkból (4. ábra 3, 5. oldal).
- ▶ Tisztítsa meg a nivópalcát (4. ábra 2, 5. oldal) egy ronggyal.
- ▶ Dugja be teljesen a nivópalcát (4. ábra 2, 5. oldal) a betöltőcsonkba (4. ábra 3, 5. oldal).
- ▶ Húzza ki a nivópalcát (4. ábra 2, 5. oldal) a betöltőcsonkból.
- ▶ Ellenőrizze, hogy az olajsint a nivópálca rovátkája (maximum töltési szint) és csúcsa között van-e (4. ábra 4, 5. oldal).
Ha nem, akkor töltsön utána olajat.
- ▶ Dugja be teljesen a nivópalcát (4. ábra 2, 5. oldal) a betöltőcsonkba (4. ábra 3, 5. oldal).
- ▶ Csatlakoztassa a generátort az ellátó akkumulátor plusz pólusához.
- ▶ Kapcsolja a generátort a főkapcsolóval (4. ábra 1, 5. oldal) üzembesz állapotba.
- ▶ Zárja be a generátor ajtaját.

8.8 Automatikus üzemmód bekapcsolása

Az automatikus üzem csak a következő esetekben kapcsolható be:

- Ha azt a generátor beépítésekor konfigurálták.
- Ha a jármű áll és a gyújtás ki van kapcsolva.
- Ha az automatikus üzem kapcsolója (ha van ilyen) be van kapcsolva.

Automatikus üzemben, amikor a csatlakoztatott akkumulátor feszültsége túl alacsonnyá válik, automatikusan bekapcsol a generátor és elkezd tölni az akkumulátort.

Amikor az akkumulátor teljesen feltöltődött, a generátor automatikusan kikapcsol.

Az automatikus üzemmód így kapcsolható be:

- Kapcsolja be az automatikus üzem kapcsolót (ha van ilyen).
- Kapcsolja ki a gyújtást.
- A be-/kikapcsoló megnyomásával kapcsolja be a távirányítót.
- ✓ A kijelzőn a következő jelenik meg: *AUTO?*



MEGJEGYZÉS

Ha a kijelzőn a *GEN OFF* üzenet jelenik meg az *AUTO?* helyett, akkor az Ön generátoránál nincs konfigurálva az automatikus üzem. Ebben az esetben forduljon ahhoz a szakműhelyhez, ahol beszerelték a generátort és utólagosan konfiguráltassa az automatikus üzemet.

- 20 másodpercen belül nyomja meg az indító gombot és tartsa lenyomva 3 másodpercig.
- ✓ A kijelzőn a következő jelenik meg: *AUTO*.
- Az automatikus üzemmód be van kapcsolva.



MEGJEGYZÉS

Automatikus üzemmódban a generátor nem indítható el az indító gombbal. A generátor automatikusan indul el. A generátor az automatikus üzem kapcsolóval (ha van ilyen) kapcsolható ki és be.

8.9 Automatikus üzemmód kikapcsolása

➤ Kapcsolja ki az automatikus üzem kapcsolót (ha van ilyen).

vagy...

➤ Kapcsolja be a gyújtást.

✓ A kijelzőn a következő jelenik meg: *GEN OFF*.

9 A generátor tisztítása



FIGYELEM! Sérülésveszély!

- Ne tisztítsa a generátort nagynyomású tisztítóval. A behatoló víz a generátor meghibásodását okozhatja.
- Ne használjon éles vagy kemény eszközöket vagy tisztítószerket a tisztításhoz, mivel azok a generátor károsodását okozhatják.
- A generátor tisztításához csak kíméletes tisztítószer tartalmazó vizet használjon. Semmilyen esetben ne használjon benzint, gázolajat vagy oldószert.

➤ Alkalmanként tisztítsa meg a generátor burkolatát nedves ruhával.

➤ Rendszeresen ellenőrizze és távolítsa el a szennyeződések a generátor szellőzőnyílásaitól. Ügyeljen arra, hogy ennek során ne sérüljenek meg a generátor lamellái.

10 A generátor karbantartása

10.1 Karbantartási táblázat



FIGYELMEZTETÉS!

A karbantartási munkákat csak a vonatkozó előírásokat ismerő szakemberekkel végeztesse. A szakszerűtlen karbantartási munkák jelentős veszélyeket okozhatnak.



MEGJEGYZÉS

A következő karbantartási munkákat a megadott időszakoként vagy a megadott üzemórák letelte után végezze el attól függően, hogy melyik eset fordul elő korábban.

Időszak	Ellenőrzés / karbantartás
Az első hónapban vagy 20 üzemóra után	<ul style="list-style-type: none"> ▶ Végeztesse el az olaj cseréjét („Az olaj cseréje (6. ábra, 6. oldal)” fejj., 396. oldal). ▶ Végeztesse el a légszűrő ellenőrzését és cseréjét („A légszűrő karbantartása (7. ábra, 6. oldal)” fejj., 397. oldal).
3 havonta vagy 50 üzemóránként	<ul style="list-style-type: none"> ▶ Végeztesse el a légszűrő ellenőrzését és cseréjét („A légszűrő karbantartása (7. ábra, 6. oldal)” fejj., 397. oldal).
6 havonta vagy 100 üzemóra után	<ul style="list-style-type: none"> ▶ Végeztesse el az olaj cseréjét. ▶ Végeztesse el a gyújtógyertya karbantartását („A gyújtógyertya karbantartása” fejj., 399. oldal).
Évente vagy 300 üzemóránként	<ul style="list-style-type: none"> ▶ Végeztesse el a szelepek karbantartását. ▶ Csak TEC29: Végeztesse el a benzintartály és az üzemanyagszűrő karbantartását. ▶ Végeztesse el a rezgőpárologtató karbantartását.
2 évente	<ul style="list-style-type: none"> ▶ Csak TEC29: Végeztesse el a benzinvezetékek karbantartását. ▶ Csak TEC29LPG: Végeztesse el a gázvezetékek karbantartását.

10.2 A karbantartási munkák előkészítése



VIGYÁZAT!

Valamennyi karbantartási munkánál vegye figyelembe a következőket:

- A generátornak nem szabad üzemben lennie.
- Valamennyi alkatrésznek legyen lehűlve.

- Kapcsolja a generátort a főkapcsolóval (4. ábra 1, 5. oldal) funkciómentes állapotba.
- Válassza le az ellátó akkumulátor plusz pólusához csatlakozó vezetékét.
- Nyissa ki a generátor ajtaját.

Karbantartási munkálatokhoz kihúzhatja a generátort (5. ábra, 5. oldal):



FIGYELMEZTETÉS!

A tartólemez a generátorral együtt nagyon nehéz (> 40 kg), és kieshet a házból, ha túlságosan kihúzza.

- Lazítsa meg a rögzítő csavarokat (1).
- Húzza ki a tartólemezt (2) a generátorral a házból (3).

10.3 A karbantartási munkák lezárása

- Csatlakoztassa a generátort az ellátó akkumulátor plusz pólusához.
- Kapcsolja a generátort a főkapcsolóval (4. ábra 1, 5. oldal) üzemi állapotba.
- Zárja be a generátor ajtaját.

10.4 Az olaj cseréje (6. ábra, 6. oldal)



VIGYÁZAT!

A forró olaj égéseket okozhat. Viseljen védőkesztyűt.



FIGYELEM!

A fáradtolajat feltétlenül ártalmatlanítással vagy visszanyeréssel foglalkozó cégeknek adja át, és vegye figyelembe a vonatkozó környezetvédelmi törvényeket.

A következő olajok használhatók:

- API SG vagy SF típusú olaj négyütemű motorokhoz.
- SAE 10W-30 típusú olaj (bármilyen hőmérsékleten használható)
- Egytartományú viszkozitással rendelkező olaj.
A megfelelő viszkozitást az átlagos helyi hőmérséklet függvényében válassza meg.

Így cserélje ki az olajat:

- ▶ Járassa melegre a generátort három-öt percig, hogy az olaj folyékonyabbá váljon és gyorsan és teljesen lefolyhasson.
- ▶ Állítson egy megfelelő tartályt a leeresztő csavar alá (1).
- ▶ Vegye ki a leeresztő csavart (1).
- ✓ Kifolyik az olaj.
- ▶ Töltse be a friss olajat a betöltőcsomákba.
Az olaj mennyisége: 0,6 l.

10.5 A légszűrő karbantartása (7. ábra, 6. oldal)



FIGYELMEZTETÉS! Robbanásveszély!

A légszűrő tisztításához ne használjon dízelolajat vagy alacsony párolgáspontú oldószert. Ezek meggyulladhatnak és felrobbanhatnak.



FIGYELEM!

Soha ne járassa a motort légszűrő nélkül. Ellenkező esetben a motor gyorsan elkopik.



MEGJEGYZÉS

A légszűrő elszennyeződése esetén a porlasztó felé haladó légáram csökken. A porlasztó megfelelő működése érdekében rendszeresen ellenőrizze a szűrő állapotát. Az ellenőrzést gyakrabban végezze, ha a generátor különösen poros környezetben üzemel.

- ▶ Készítse elő a karbantartási munkálatokat, és kissé húzza ki a generátort a házból, lásd: „A karbantartási munkák előkészítése” fejj., 396. oldal
- ▶ Távolítsa el a csavarokat (1) és a szűrőfedelelet (2).

- Távolítsa el a csavart (3).
- Távolítsa el a légszűrőt (4).
A légszűrő két elemből áll: egy szivacsszűrőből és egy papírszűrőből.
- Mindkét szűrőelem állapotát gondosan ellenőrizze. Cserélje ki a sérült szűrőelemeket.
- Tisztítsa meg az ép szűrőelemeket: lásd a következő szakaszokat.
- Fejezze be a karbantartási munkálatokat, lásd „A karbantartási munkák lezárása” fejj., 396. oldal.

A szivacsszűrő tisztítása

- Semleges mosószeres oldattal mossa meg a szivacsot, és gondosan öblítse ki.
- Hagyja teljesen megszáradni a szivacsot.
- Tiszta motorolajjal itassa át a szivacsot.
- Nyomja ki belőle a felesleges olajat.

A papírszűrő tisztítása

- Kemény felületen történő ismételt könnyű ütögetéssel távolítsa el a szennyeződéseket a papírról, vagy belülről kifelé sűrített levegővel fújja ki a szűrőt.
A papírt **ne** kefélje le, mert a szennyeződés így nem juthat a papírszűrő szálai közé.
- Erős szennyeződés esetén cserélje ki a papírszűrőt.

10.6 A gyújtógyertya karbantartása



FIGYELEM!

- Óvatosan húzza ki a gyújtógyertyát. A nem elég szorosan meghúzott gyújtógyertya nagyon felforrósodhat, és a motor károsodását idézheti elő.
- Kizárólag egyenértékű gyújtógyertyákat használjon.
- Ha új gyújtógyertyát helyez be, akkor 1/2 fordulattal húzza meg, amikor már az alátéten ül. Használt gyújtógyertya esetén 1/8 vagy 1/4 fordulat is elegendő.

- Készítse elő a karbantartási munkálatokat, lásd „A karbantartási munkák előkészítése” fej., 396. oldal.
- Vegye le a gyertyadugaszt.
- Gyertyakulccsal vegye ki a gyújtógyertyát.
- Szemrevételezéssel ellenőrizze a gyújtógyertyát.
Ha a gyújtógyertya láthatóan elhasználódott vagy az izolátor sérült vagy megrepedt, akkor cserélje ki a gyújtógyertyát.
Ha a gyújtógyertya csak szennyezett, akkor acélkefével tisztítsa meg.
- Vastagságmérővel mérje meg az elektródák közötti távolságot. (8. ábra, 6. oldal). 0,7 – 0,8 mm között kell lennie, és adott esetben az elektróda meghajtásával korrigálható.
- Ellenőrizze, hogy a gyújtógyertya tömítése ép-e.
- Ha igen, akkor kézzel húzza meg a gyújtógyertyát, hogy a menet sérülése elkerülhető legyen.
- Gyertyakulccsal úgy húzza meg a gyújtógyertyát, hogy az az alátéttel össze legyen nyomva.
- Fejezze be a karbantartási munkálatokat, lásd „A karbantartási munkák lezárása” fej., 396. oldal.

11 Üzemzavarok elhárítása

Hiba	Ok	Elhárítás
A be-/kikapcsoló megnyomásánál a távirányító nem kapcsol be.	Az indítóakkumulátor lemerült.	➤ Töltse fel az indítóakkumulátort.
	Az áramkábel megszakadt vagy a dugaszcsatlakozó ki van húzva. Megtört a generátor földelőkábele, vagy a biztosíték (ha van ilyen) kioldott.	➤ Forduljon jogosult szakszervizhez.
Az indítógomb megnyomásakor az indítómotor nem forog.	Az indítóakkumulátor lemerült.	➤ Töltse fel az indítóakkumulátort.
	A főkapcsoló „0” állásban van.	➤ Állítsa a főkapcsolót „1”, illetve „1” állásba.
	Szennyezett az indítómotor tengelye.	➤ Tisztítsa meg az indítómotor tengelyét.
	Túl sok az olaj a motorban.	➤ Engedjen le olajat.
	Az inverter megsérült.	➤ Forduljon jogosult szakszervizhez.
	Az áramkábel megszakadt vagy a dugaszcsatlakozó ki van húzva. Megtört a generátor földelőkábele, vagy a biztosíték (ha van ilyen) kioldott. Az indítómotor nem kap áramot.	
Az indítómotor forog, de a generátor nem indul el.	Nincs benzin/LPG.	➤ Töltse után benzinnel/LPG-vel.
	A gyújtógyertya nem kap áramot.	➤ Ellenőrizze az elektromos csatlakozásokat.
	A porlasztó nem kap benzint.	➤ Tisztítsa meg a porlasztót.
	A légbeszívás eltömődött.	➤ Ellenőrizze a légszűrőt (lásd: „A légszűrő karbantartása (7. ábra, 6. oldal)” fejj., 397. oldal).
	A környezeti hőmérséklet 0 °C alatt van	➤ Használjon tiszta propán gázt.
	Az inverter megsérült. Az áramkábel megszakadt vagy a dugaszcsatlakozó ki van húzva.	➤ Forduljon jogosult szakszervizhez.

Hiba	Ok	Elhárítás
A generátor lefúl- lásra hajla- mos.	Túl sok az olaj a motorban.	➤ Engedjen le olajat.
	A terhelés túllépi a 2,6 kW-ot.	➤ Kapcsoljon ki fogyasztókat.
	A porlasztó nem kap benzint.	➤ Tisztítsa meg a porlasztót.
	A légbeszívás eltömődött.	➤ Ellenőrizze a légszűrőt (lásd: „A légszűrő karbantartása (7. ábra, 6. oldal)” fejj., 397. oldal).
	Az inverter megsérült.	➤ Forduljon jogosult szakszer- vizhez.
	Az elektromágnes (indítómotor) blok- kolva van.	
A légszűrő elszennyeződött.		
A generátor elindult, de nem generál feszült- séget.	Az inverter megsérült.	➤ Forduljon jogosult szakszer- vizhez.
	A léptetőmotor meghibásodott, vagy a kábel megtört.	
	Az elektromágnes (indítómotor) blok- kolva van.	
	A fajtószelep elzáródott.	
A generátor erős gyorsulással indul, majd a „GENERATOR ALERT” üzenet- tel leáll.	Az inverter megsérült.	➤ Forduljon jogosult szakszer- vizhez.
	A léptetőmotor meghibásodott, vagy a kábel megtört.	
A generált feszültség nem stabil.	Az inverter megsérült.	➤ Forduljon jogosult szakszer- vizhez.
	A léptetőmotor meghibásodott, vagy a kábel megtört.	

12 Szavatosság

A termékre a törvény szerinti szavatossági időszak érvényes. A termék meghibásodása esetén forduljon az illetékes szervizpartnerhez (a címetek lásd jelen útmutató hátoldalán).

Szakembereink szívesen nyújtanak segítséget és felvilágosítást adnak a szavatosságra vonatkozó további tudnivalókról.

13 Ártalmatlanítás

- A csomagolóanyagot lehetőleg a megfelelő újrahasznosítható hulladék közé tegye.




Ha a terméket véglegesen kivonja a forgalomból, kérjük, tájékozódjon a legközelebbi hulladékártalmatlanító központnál vagy a szakkereskedőjénél az idevonatkozó ártalmatlanítási előírásokkal kapcsolatban.



Védje környezetét!

Az akkumulátorok és elemek nem a háztartási hulladékba valók. Adja le a meghibásodott akkumulátorokat vagy elhasznált elemeket a kereskedőnél vagy egy gyűjtőhelyen.

14 Műszaki adatok

	Dometic TEC29	Dometic TEC29LPG
Cikkszám:	9102900200	9102900179
Névleges kimeneti áram:	230 V~ / 50 Hz	
Legnagyobb tartós teljesítmény (25 °C-on, tengerszinten):	2600 W	
Akkumulátortöltő kimeneti feszültsége:	12 V===	
Akkumulátortöltő legnagyobb kimeneti árama:	10 A	
Üzemelési hőmérséklet-tarto- mány:	-15 °C – +50 °C	-15 °C és +50 °C között (az LPG propán arányától függ)
Torzítási tényező:	1 %	
Üzemanyag:	ROZ 91 hagyományos benzin	LPG autógáz
Fogyasztás:	300 g/kWh max. 1,2 l/h	408 g/kWh max. 1,0 kg/h
Motorteljesítmény:	4,0 kW (5,5 LE)	
Garantált zajszint:	86 dB (A)	
Zajszint 7 m-es távolságban:	54 – 59 dB (A)	
Méretek:	lásd: 9 . ábra, 7. oldal	
Tömeg:	44 kg	
Vizsgálat / tanúsítvány:		

GERMANY**Dometic WAECO International GmbH**

Hollefeldstraße 63 · D-48282 Emsdetten

☎ +49 (0) 2572 879-195 · 📠 +49 (0) 2572 879-322

Mail: info@dometic-waeco.de · Internet: www.dometic-waeco.de

AUSTRALIA**Dometic Australia Pty. Ltd.**1 John Duncan Court
Varsity Lakes QLD 4227

☎ +61 7 55076000

📠 +61 7 55076001

Mail: sales@dometic-waeco.com.au

AUSTRIA**Dometic Austria GmbH**Neudorferstrasse 108
2353 Guntramsdorf

☎ +43 2236 908070

📠 +43 2236 90807060

Mail: info@waeco.at

BENELUX**Dometic Benelux B.V.**Ecustraart 3
NL-4879 NP Etten-Leur

☎ +31 76 5029000

📠 +31 76 5029090

Mail: info@dometic.nl

DENMARK**Dometic Denmark A/S**Nordensvej 15, Taulov
DK-7000 Fredericia

☎ +45 75585966

📠 +45 75586307

Mail: info@waeco.dk

FINLAND**Dometic Finland OY**

Mestarintie 4

FIN-01730 Vantaa

☎ +358 20 7413220

📠 +358 9 7593700

Mail: info@dometic.fi

FRANCE**Dometic SAS**ZA du Pré de la Dame Jeanne
F-60128 Plailly

☎ +33 3 44633500

📠 +33 3 44633518

Commercial : info@dometic.fr

SAV/Technique : service@dometic.fr

HONG KONG**WAECO Impex Ltd.**Suites 2207-2211 · 22/F · Tower 1
The Gateway · 25 Canton Road,

Tsim Sha Tsui · Kowloon

☎ +852 24611386

📠 +852 24665553

Mail: info@dometic-waeco.com.hk

HUNGARY**Dometic Plc. Sales Office**

Kerékgyártó u. 5.

H-1147 Budapest

☎ +36 1 468 4400

📠 +36 1 468 4401

Mail: budapest@dometic.hu

ITALY**Dometic Italy S.r.l.**

Via Virgilio, 3

I-47100 Forlì

☎ +39 0543 754901

📠 +39 0543 756631

Mail: info@dometic.it

NORWAY**Dometic Norway AS**

Skolmar 24

N-3232 Sandefjord

☎ +47 33428450

📠 +47 33428459

Mail: firmapost@waeco.no

POLAND**Dometic Poland Sp. z o.o.**

Ul. Puławska 435A

02-801 Warszawa

☎ +48 22 414 32 00

📠 +48 22 414 32 01

Mail: info@dometic.pl

RUSSIA**Dometic RUS LLC**Komsomolskaya square 6-1
107140 Moscow

☎ +7 495 780 79 39

📠 +7 495 916 56 53

Mail: info@dometic.ru

SLOVAKIA**Dometic Slovakia Sales Office Bratislava**

Nádražná 34/A

SK-900 28 Ivanka pri Dunaji

☎/📠 +421 2 45 529 680

Mail: bratislava@dometic.com

SPAIN**Dometic Spain S.L.**Avda. Sierra del Guadarrama, 16
E-28691 Villanueva de la Cañada

Madrid

☎ +34 902 111 042

📠 +34 900 100 245

Mail: info@dometic.es

SWEDEN**Dometic Scandinavia AB**

Gustaf Melins gata 7

S-42131 Västra Frölunda (Göteborg)

☎ +46 31 7341100

📠 +46 31 7341101

Mail: info@waeco.se

SWITZERLAND**Dometic Switzerland AG**

Riedackerstrasse 7a

CH-8153 Rümlang (Zürich)

☎ +41 44 8187171

📠 +41 44 8187191

Mail: info@dometic-waeco.ch

TAIWAN**WAECO Impex Ltd.**

Taipei Office

2 FL-3 · No. 56 Tunhua South Rd, Sec 2

Taipei 106

☎ +886 2 27014090

📠 +886 2 27060119

Mail: marketing@dometic-waeco.com.tw

UNITED KINGDOM**Dometic UK Ltd.**

Dometic House · The Brewery

Blandford St. Mary

Dorset DT11 9LS

☎ +44 844 626 0133

📠 +44 844 626 0143

Mail: sales@dometic.co.uk

UNITED ARAB EMIRATES**Dometic Middle East FZCO**

P. O. Box 17860

S-D 6, Jebel Ali Freezone

Dubai

☎ +971 4 883 3858

📠 +971 4 883 3868

Mail: info@dometic.ae

UNITED STATES OF AMERICA**Dometic Marine Division**

2000 N. Andrews Ave. Extension

Pompano Beach, FL 33069 USA

☎ +1 954 973 2477

📠 +1 954 979 4414

Mail: marinesales@dometicusa.com

