



PCB TRANSFORMERS

RESIN VERSION



100%

Made in Italy



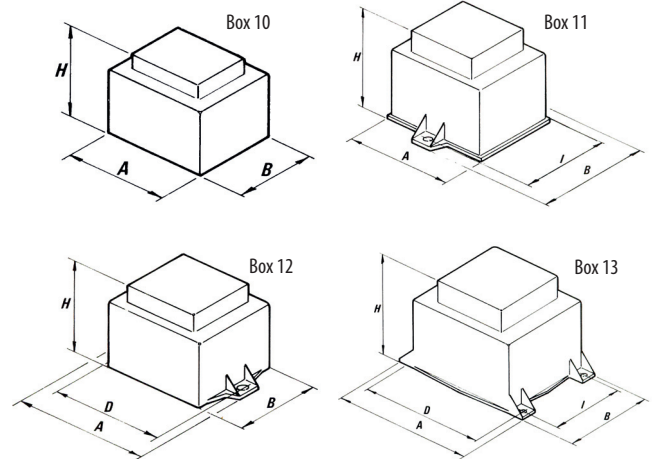
POWER: from 1 to 200 VA

CUSTOMIZABLE CHARACTERISTICS:

- Customized input and output voltages
- Multiple primaries and secondaries
- Available also non resin (N series)
- Plug and cable on the primary and secondary

TECHNICAL DATA:

- Continuous service
- Frequency: 50/60Hz
- Protection degree: IP00
- Heat insulation degree: B(130°C) / F(155°C)



Code	Power (VA)	Dimensions in mm					Core	Box	Type
		Length A	Depth B	Height H	Fixing D I				
RP1+	1	33	28	24	20	5	10x10P	10	2
RP1,5+	2	33	28	27	20	5	10x15P	10	2
RP2+	2	33	28	30	20	5	10x18P	10	2
RG1	1	37	31	27	20	5	10x10G	10	2
RG1,5	2	37	31	34	20	5	10x15G	10	2
RG2	2	37	31	34	20	5	10x15G	10	2
R3	3	44	38	32	25	5	13x13	10	2
R4	4	58	38	34	25	5	13x15	11	2
R4F6*	4	58	38	34	27,5	5	13x15	11	3
R4,5	5	58	38	39	25	5	13x20	11	2
R5	5	54	61	42	27,5	5	16x16	12	3
R6	6	54	61	42	27,5	5	16x16	12	3
R8	8	54	61	46	27,5	5	16x20	12	3
R10	10	70	43	50	27,5	5	16x25	11	3
R15	15	81	56	49	33	5	20x20	13	4
R20	20	81	56	52	33	5	20x25	13	4
R25	25	81	56	58	33	5	20x30	13	4
R30	30	87	61	64	35	5	22x30	13	5
R40	40	87	61	70	35	5	22x35	13	5
R50	50	101	69	65	40	7,5	25x30	13	3
R60	60	101	69	70	40	7,5	25x35	13	3
R70	70	101	69	75	40	7,5	25x40	13	3
R100	100	108	75	78	45	7,5	28x40	13	4
R150	150	130	86	86	56	10	32x40	13	3
R200	200	130	86	99	56	10	32x50	13	3

+ NP items have no insulating shell protection

* 6-hole version