

CX12 S2 800X520 GEL

SMALL SIZE, GREAT MANOEUVRABILITY



koineo.pdm_prod.text_key.1465997382172

Description

1.1 Manufacturer			LIFTER
Lift			Electric
1.3 Drive			Electric
1.4 Operator type			Pedestrian
1.5 Load capacity	Q	Kg	1200
1.6 Load centre distance	c	mm	400
1.8 Load axle to end forks	x	mm	536
1.9 Wheel base	y	mm	769

Weights

2.1 Service weight (battery included)		Kg	154
2.2 Axle load, laden rear		Kg	1017
2.2 Axle load, laden front		Kg	337
2.3 Axle load, unladen front		Kg	125
2.3 Axle load, unladen rear		Kg	29

Tyres/Chassis

3.1 Tyres: front wheels			RUBBER
3.1 Tyres: stabilizers wheels - Front			POLY.I.
3.1 Tyres: rear wheels			NYLON
3.2 Tyre size: Steering wheels - Width		mm	50
3.2 Tyre size: Steering wheels - Diameter		mm	186
3.3 Tyre size: Load rollers - Diameter		mm	82
3.3 Tyre size: Load rollers - Width		mm	82
3.4 Tyre size: stabilizers wheels front - Diameter		mm	75
3.4 Tyre size: stabilizers wheels front - Width		mm	32
3.5 Tyre size: rear wheels - Q.ty (X=driven)		nr	2
3.5 Tyre size: front wheels - Q.ty (X=driven)		nr	1x
3.6 Tread, front	b10	mm	369
3.7 Tread, rear	b11	mm	371

Dimensions

4.4 Lift height	h3	mm	115
4.9 Height of tiller in drive position max	h14	mm	1345
4.9 Height of tiller in drive position min	h14	mm	885
4.15 Height, lowered	h13	mm	85
4.19 Overall length	l1	mm	1160
4.20 Length to face of forks	l2	mm	360
4.21 Overall width	b1	mm	520
4.22 Fork dimensions - Thickness	s	mm	55
4.22 Fork dimensions - Width	e	mm	150
4.22 Fork dimensions - Length	l	mm	800
4.25 Distance between fork arms	b5	mm	520
4.32 Ground clearance, centre of wheelbase	m2	mm	30
4.34 Aisle width	Ast	mm	1382
4.35 Turning radius	Wa	mm	918

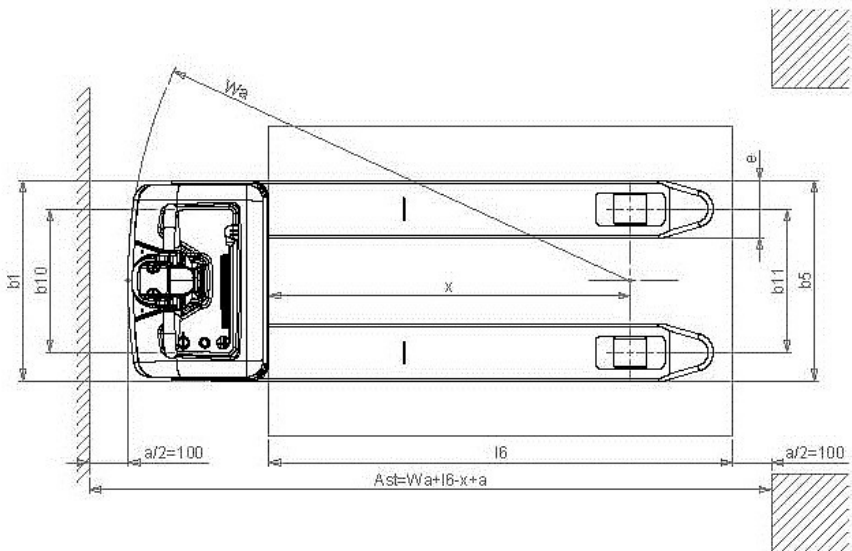
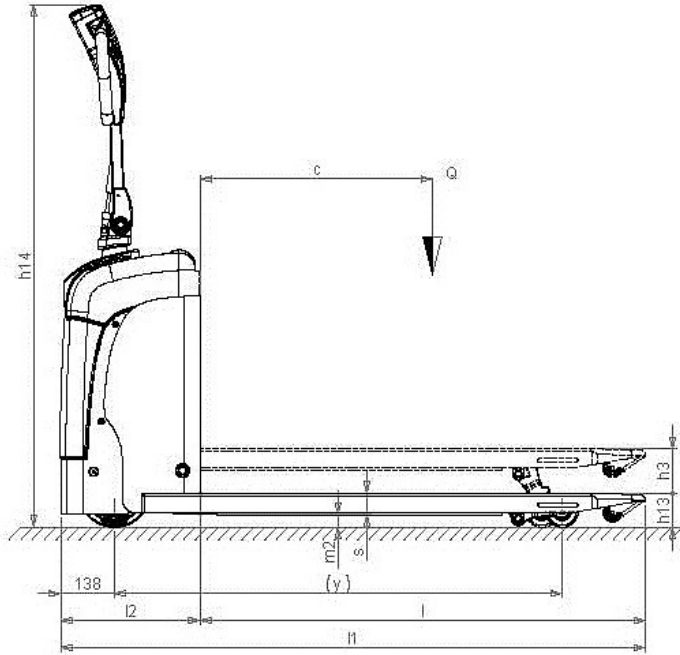
Performance data

5.1 Travel speed laden	Km/h	4.3
5.1 Travel speed unladen	Km/h	4.8
5.2 Lifting speed laden	m/s	0.03
5.2 Lifting speed unladen	m/s	0.04
5.3 Lowering speed laden	m/s	0.05
5.3 Lowering speed unladen	m/s	0.02
5.8 Max gradeability laden	%	10
5.8 Max gradeability unladen	%	25
5.10 Service brake		Electric

Electric motors

6.1 Drive motor power	kW	0.35
6.2 Lift motor power	kW	0.4
typ baterii	Traction (C5)	
6.4 Battery voltage	V	24
6.4 Battery capacity, Min	Ah	40
6.4 Battery capacity, Max	Ah	40
6.5 Battery weight, Min	Kg	25
6.5 Battery weight, Max	Kg	40
6.6 Energy consumption according to VDI cycle	kWh/h	0.28
8.4 Sound level at driver's ear	dB(A)	67

*Integrated battery and battery charger



The information is aligned with the Data file at the time of download. Printed on 12/10/2017 (ID 4626)

©2017 | PR INDUSTRIAL s.r.l. | All rights reserved | Image shown may not reflect actual package. Specifications subject to change without notice

