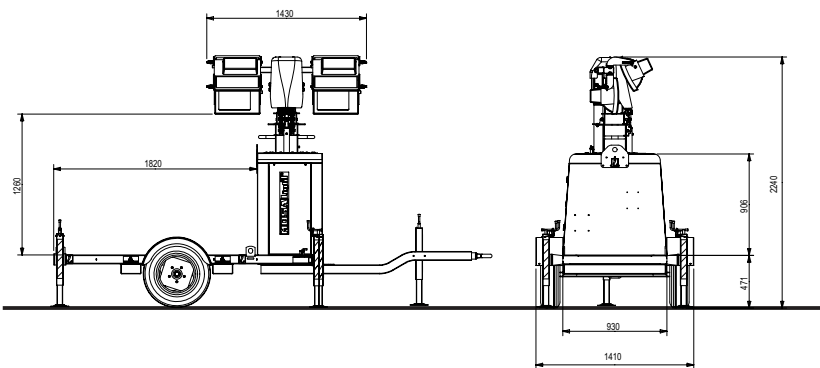


LIGHTING KIT TF NM9

CHARACTERISTICS

- Zinc plated telescopic mast
- Manual winch raise/lower
- 340 degrees manual rotation of the tower
- Wind proof up to 80 km/h with generator having weight ≥ 210 kg
- Two axes manually adjustable floodlights
- Switches to on/off for lamps
- Site tow trailer structure
- 2 x pneumatic wheels with mudguards
- Safety lock
- 4 x adjustable stabilisers, two extendable
- Lifting hooks and forklift pockets
- Frame prepared for installing a generating set from 8 to 20 kVA
- Meets EC directives

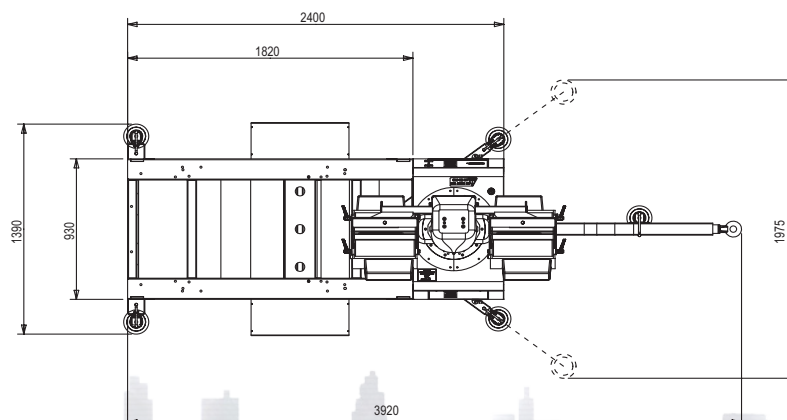


VERSIONS ON REQUEST



AVAILABLE LAMPS

- TF NM9 A-6x1500: 6 HALOGEN
- TF NM9 J-4x1000: 4 METAL HALIDE
- TF NM9 L-4x300: 4 LED



The company reserves the right to change this specification without notice. For further information please contact the sales department.

© MOSA - Viale Europa, 59 - 20090 Cusago (Milano) - Italy - phone +39-0290352.1 - fax + 39-0290390466 E-mail: info@mosa.it Web site: www.mosa.it



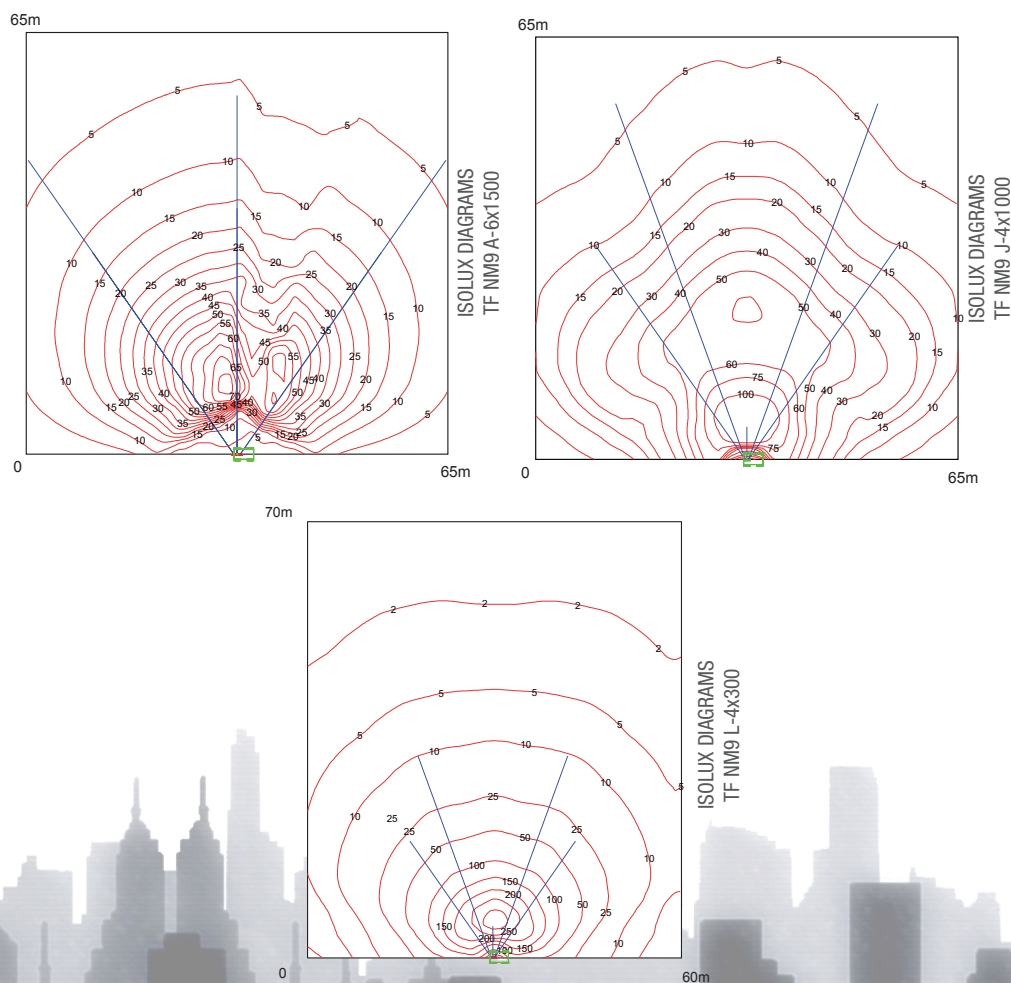
TECHNICAL DATA

DIMENSIONS AND WEIGHT:

	TF NM9 A-6X1500		TF NM9 J-4X1000		TF NM9 L-4X300	
	tower closed	tower open	tower closed	tower open	tower closed	tower open
Width (mm)	1410	1975	1410	1975	1410	1975
Length (mm)	3920	3920	3920	3920	3920	3920
Height (mm)	2240	9000	2240	9000	2240	9000
Weight (Kg)	790		790		790	

FEATURES

	TF NM9 A-6X1500	TF NM9 J-4X1000	TF NM9 L-4X300
Illuminated area	4200 mq	4200 mq	4200 mq
Lux average	16	25	21
Total lumen	216000	340000	130000



The company reserves the right to change this specification without notice. For further information please contact the sales department.

© MOSA - Viale Europa, 59 - 20090 Cusago (Milano) - Italy - phone +39-0290352.1 - fax + 39-0290390466 E-mail: info@mosa.it Web site: www.mosa.it

