

TECHNICAL DATA SHEET



ALTERNATOR E1E10L L

Single-Phase synchronous alternator with brushes and AVR - 2 poles

E1E10L L

COMMON DATA

Rated Power at 50Hz	kVA	8,0	
Rated Power at 60Hz	kVA	9,75	
Rated Power Factor		1	
Nominal Temperature	°C	40	
Control System		self-excited	
Execution		with brushes	
Regulation Type		AVR	
Insulation Class		H	
Protection		IP21	
Maximum Over speed	rpm	4500	
Overload		110% of rated power for one hour in a cycle of 6 hours	
Air Flow Requirement	m ³ /min	3,7 at 50Hz	4,7 at 60Hz
R.F.I. Suppression		Standard EN55011	

REGULATION DATA

AVR		HVR10E
Sensing		single-phase
Voltage Regulation		±1%

WINDING DATA

Stator Winding		Single layer with auxiliary winding	
Rotor Winding		with damping cage	
Number of Leads of Stator		4	
Stator Winding Resistance	Ω	0,45 at 20°C	
Rotor Winding Resistance	Ω	12,1 at 20°C	
THD at full load		<5,5%	
THD at no load		<4%	
Excitation at no Load	Adc	1,8	
Excitation at full Load	Adc	4,6	

STANDARD

References		EN60034-1 ISO8528-3 EN55011
------------	--	-----------------------------

E1E10L L

ELECTRICAL DATA

Frequency		50Hz - 3000rpm	60Hz - 3600rpm
Voltage Series Star	V	115/230	110/220
Rated Power in Class H (125°C/40°C)	kW	8,0	9,75
Rated Power in Class F (105°C/40°C)	kW	7,0	8,4

EFFICIENCY IN CL. H

4/4	79,1%	80,1%
3/4	80,2%	80,5%

MECHANICAL DATA

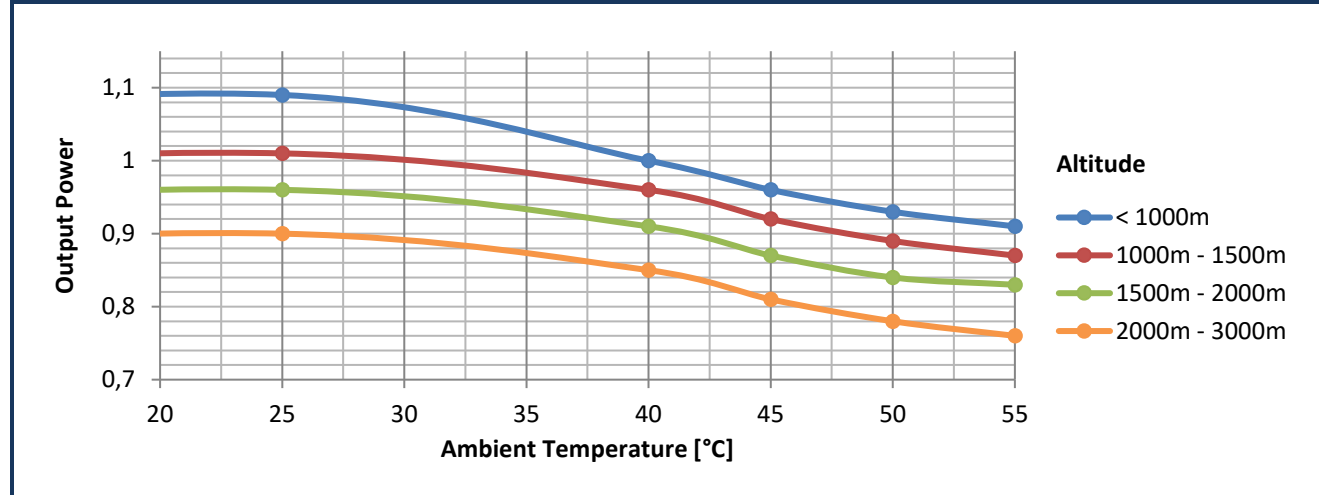
Bearing non drive end		6204-2Z-C3	
Bearing drive end (B3/B14 form)		6305-2Z-C3	
Weight of generator	in B2	kg	\
	in B3/B14	kg	38,5
	in B3/B9	kg	37,8

E1E10L L

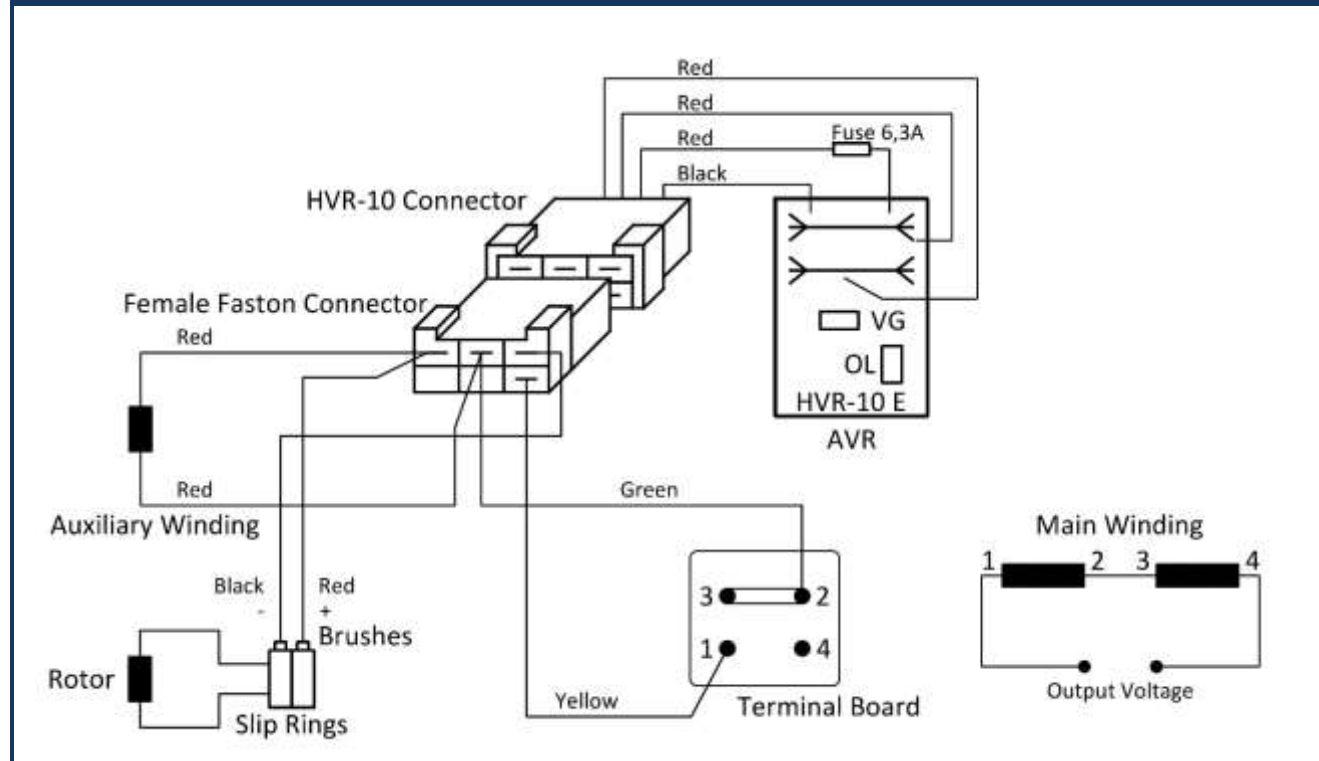
MOMENT OF INERZIA

B3/B9	kg·m ²	0,022
B3/B14	kg·m ²	0,022

DERATING CURVES



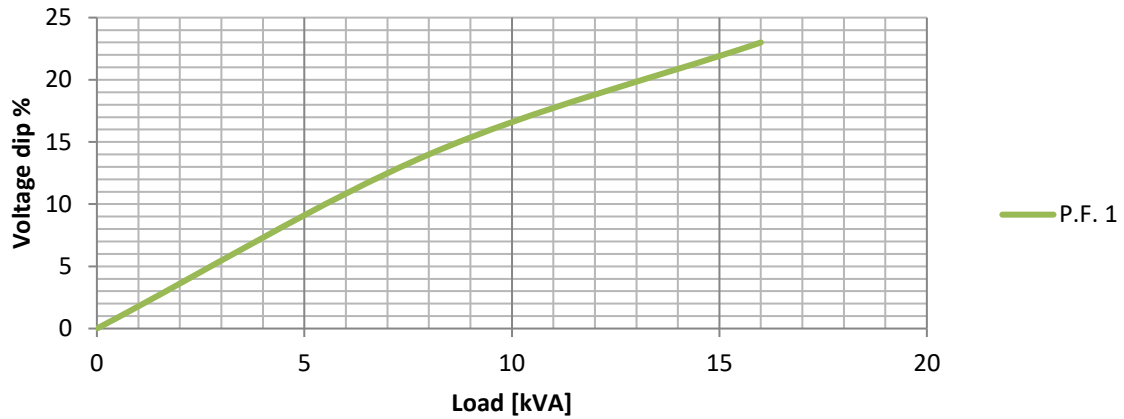
WIRING DIAGRAM



E1E10L L

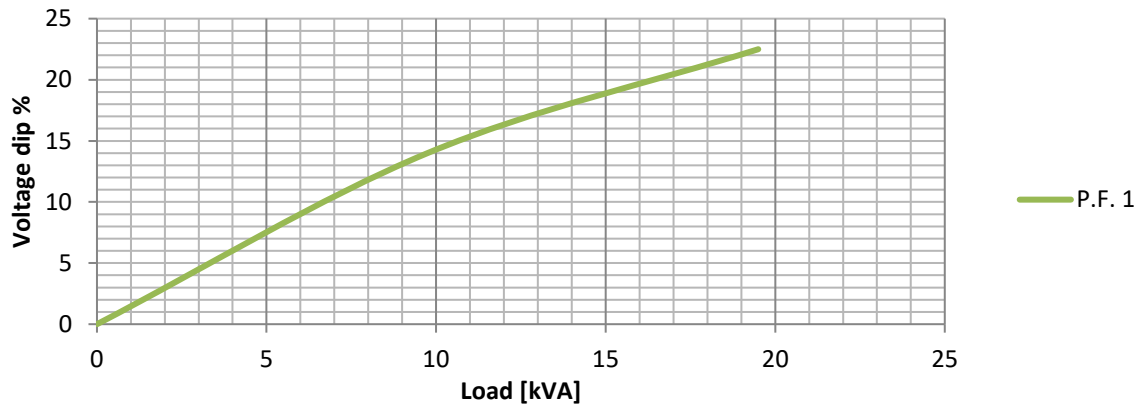
TRANSIENT VOLTAGE VARIATION 50Hz

Transient Voltage Variation @ 50Hz



TRANSIENT VOLTAGE VARIATION 60Hz

Transient Voltage Variation @ 60Hz



E1E10 L

FORMA FORM FORME B3/B9

