

# ↗ DOMETIC

# REFRIGERATION

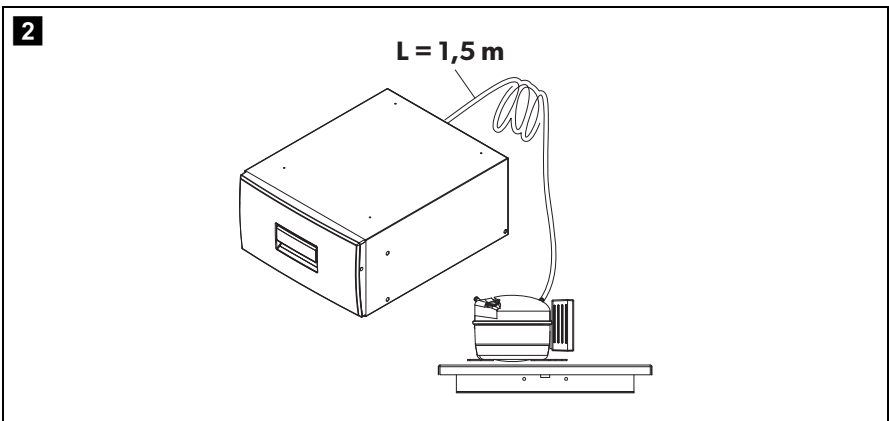
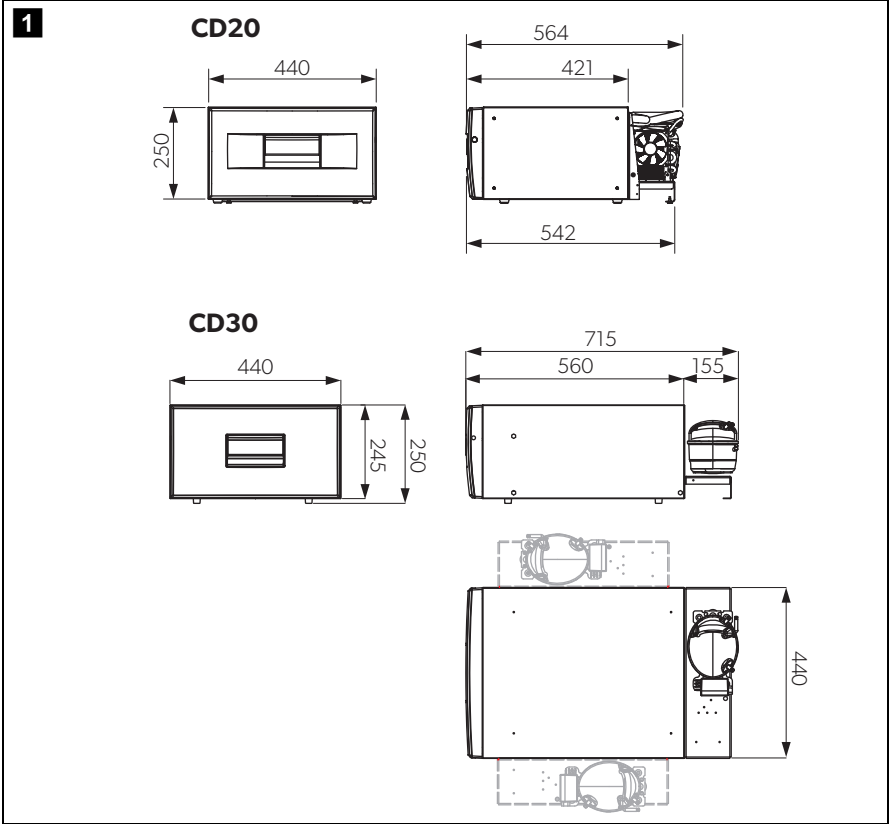
# COOLMATIC

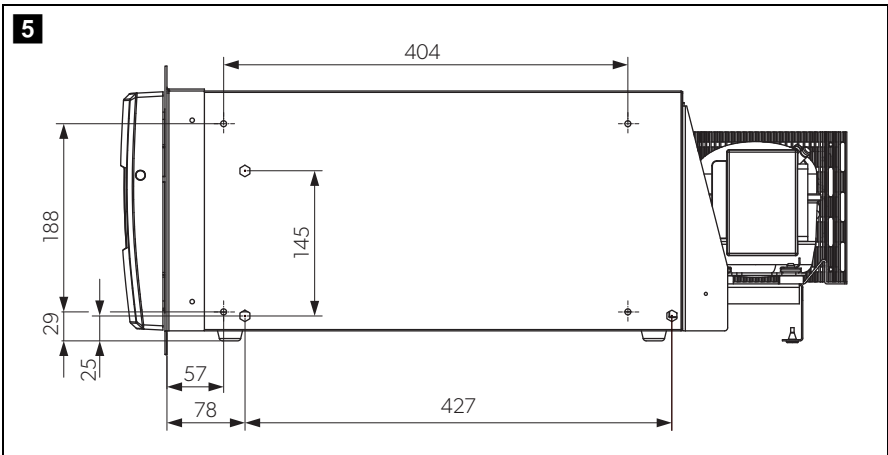
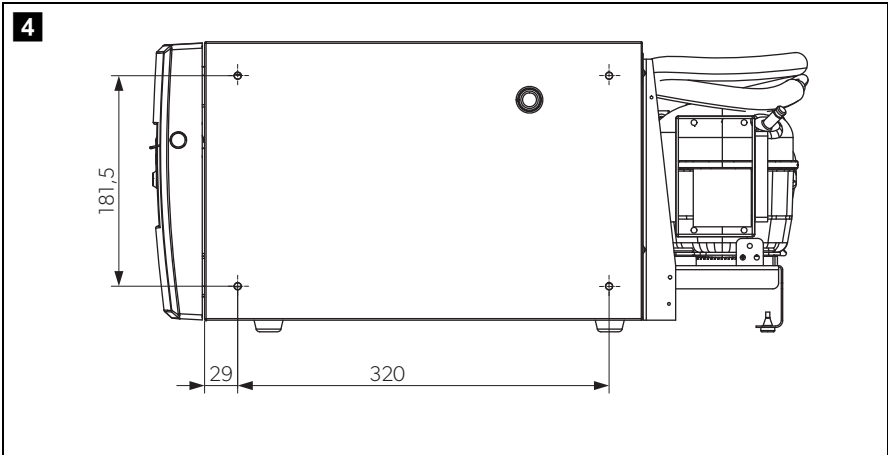
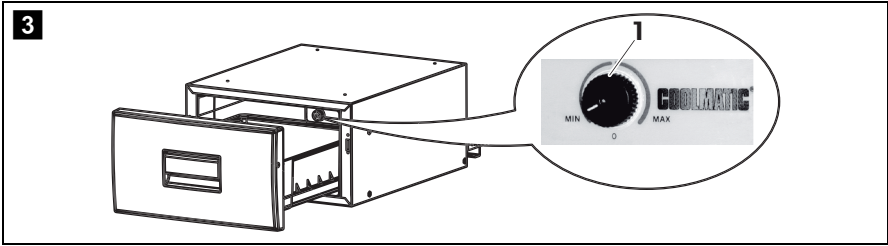


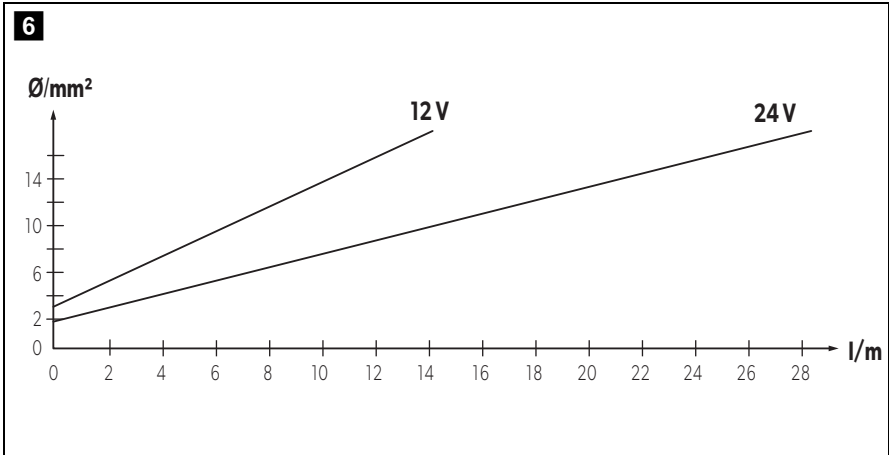
CD 20, CD 30

<b>EN</b>	<b>Drawer Fridge</b> Installation and Operating Manual . . . . . 6	<b>NO</b>	<b>Kjøleboks med skuffer</b> Monterings- og bruksanvisning . . . . . 126
<b>DE</b>	<b>Schubfach-Kühlbox</b> Montage- und Bedienungsanleitung . . . . . 19	<b>FI</b>	<b>Lokerokylmäläatikko</b> Asennus- ja käyttöohje . . . . . 139
<b>FR</b>	<b>Glacière à tiroir</b> Instructions de montage et de service . . . . . 32	<b>RU</b>	<b>Ящичный холодильник</b> Инструкция по монтажу и эксплуатации . . . . . 152
<b>ES</b>	<b>Cajón nevera</b> Instrucciones de montaje y de uso . . . . . 46	<b>PL</b>	<b>Lodówka szufladowa</b> Instrukcja montażu i obsługi . . . . . 166
<b>PT</b>	<b>Geleira de gaveta</b> Instruções de montagem e manual de instruções . . . . . 60	<b>SK</b>	<b>Zásuvkový chladicí box</b> Návod na montáž a uvedenie do prevádzky . . . . . 180
<b>IT</b>	<b>Frigorifero a cassetto</b> Istruzioni di montaggio e d'uso . . . . . 73	<b>CS</b>	<b>Chladicí box v provedení zasouvací přihrádky</b> Návod k montáži a obsluze . . . . . 193
<b>NL</b>	<b>Ladekoelbox</b> Montagehandleiding en gebruiksaanwijzing . . . . . 87	<b>HU</b>	<b>Fiókos hűtőláda</b> Szerelési és használati útmutató . . . . . 206
<b>DA</b>	<b>Skuffe-køleboks</b> Monterings- og betjeningsvejledning . . . 100		
<b>SV</b>	<b>Kylbox med utdragslåda</b> Monterings- och bruksanvisning . . . . . 113		









**Please read this operating manual carefully before starting the device. Keep it in a safe place for future reference. If the device is passed on to another person, this operating manual must be handed over to the user along with it.**

The manufacturer cannot be held liable for damage resulting from **improper usage** or **incorrect operation**.

## Contents

1	Explanation of symbols . . . . .	7
2	Safety instructions . . . . .	7
3	Scope of delivery . . . . .	9
4	Proper use . . . . .	10
5	Technical description . . . . .	10
6	Installation . . . . .	11
7	Operation . . . . .	12
8	Cleaning and care . . . . .	14
9	Warranty . . . . .	15
10	Disposal . . . . .	15
11	Troubleshooting . . . . .	15
12	Technical data . . . . .	18

# 1 Explanation of symbols

**DANGER!**

**Safety instruction:** Failure to observe this instruction will cause fatal or serious injury.

**WARNING!**

**Safety instruction:** Failure to observe this instruction can cause fatal or serious injury.

**CAUTION!**

**Safety instruction:** Failure to observe this instruction can lead to injury.

**NOTICE!**

Failure to observe this instruction can cause material damage and impair the function of the product.

**NOTE**

Supplementary information for operating the product.

## 2 Safety instructions

### 2.1 General safety

**WARNING!**

- Do not operate the device if it is visibly damaged.
- If this device's power cable is damaged, it must be replaced by the manufacturer, customer service or a similarly qualified person in order to prevent safety hazards.
- This device may only be repaired by qualified personnel. Improper repairs can lead to considerable hazards.
- This device can be used by children aged 8 years or over, as well as by persons with diminished physical, sensory or mental capacities or a lack of experience and/or knowledge, providing they are supervised or have been taught how to use the device safely and are aware of the resulting risks.

- Cleaning and user maintenance must not be carried out by children without supervision.
- Children must not play with the device.
- Children must be supervised to ensure that they do not play with the device.
- Always keep and use the device out of the reach of children under the age of 8 years.
- Do not store any explosive substances such as spray cans with a flammable propellant in the device.

**CAUTION!**

- Disconnect the device from the power supply
  - before each cleaning and maintenance
  - after every use
- Food may only be stored in its original packaging or in suitable containers.

**NOTICE!**

- Check that the voltage specification on the type plate corresponds to that of the energy supply.
- Only connect the device to a DC plug socket in the vehicle (e. g. cigarette lighter) with the DC cable.
- Never pull the plug out of the socket by the cable.
- Disconnect the cooler and other power consuming devices from the battery before connecting the quick charging device.
- Disconnect the cooler or switch it off when you turn off the engine. Otherwise you may discharge the battery.
- The cooling device is not suitable for transporting caustic materials or materials containing solvents.
- The cooling device contains inflammable cyclopentane in the insulation. The gases in the insulation material require special disposal procedures. Deliver the device at the end of its life-cycle to an appropriate recycling.

## 2.2 Operating the device safely

**CAUTION!**

- Before starting the device, ensure that the power supply line and the plug are dry.



**NOTICE!**

- Do not use electrical devices inside the cooler unless they are recommended by the manufacturer for the purpose.
- Do not place the device near naked flames or other heat sources (heaters, direct sunlight, gas ovens etc.).
- **Danger of overheating!**  
Ensure at all times that there is sufficient ventilation so that the heat that arises during operation does not build up. Make sure that the device is sufficiently far away from walls and other objects so that the air can circulate.
- Ensure that the ventilation openings are not covered.
- Do not fill the inner container with ice or fluid.
- Never immerse the device in water.
- Protect the device and the cable against heat and moisture.
- For HGV operation:  
Empty the coolbox and switch the device off (see chapter “Switching off the coolbox” on page 13), before the driver's cabin is tipped up.

### 3 Scope of delivery

Quantity	Description
1	Drawer coolbox
4	Mounting bracket
1	Operating instructions

## 4 Proper use

The drawer coolers CD 20 and CD 30 are suitable for use in HGVs, boats or caravans and has been designed for a maximum permanent inclination of 30°.

An optimum cooling capacity is guaranteed at ambient temperatures between +16 °C and +32 °C and at a maximum air humidity of 90 %.



### NOTE

Before exposing the cooling device to extreme conditions, please contact the manufacturer.



### CAUTION! Health hazard!

- Please check if the cooling capacity of the device is suitable for storing the food or medicine you wish to cool.
- Food may only be stored in its original packaging or in suitable containers.

## 5 Technical description

The cooling devices can cool goods or keep goods cool in a temperature range from -2 °C to +12 °C.

The coolbox is equipped with a battery monitor which switches the compressor off and on again and thereby protects both the battery and compressor against damage. The switch-off and switch-on points measured at the connection terminals of the compressor are listed in the chapter "Technical data" on page 18.

### 5.1 Control elements

No. in  
fig. 3,  
page 4

Explanation

1	Thermostat
---	------------

## 6 Installation



### NOTICE!

- Ensure that the positive cable is connected to the positive terminal and the negative cable to the negative terminal.
- When choosing the installation location, ensure that the air heated by the liquefier can be drawn off.



### NOTE

- To avoid voltage loss and therefore a drop in performance, the cable route should be kept as short as possible and should not be interrupted if this is possible. For this reason avoid additional switches, plug or power strips.
- You can detach the compressor from the cooling device and mount it in another place on the cooling device, or separately from it (fig. **2**, page 3). Make sure that the refrigerant line is 1.5 m (CD20)/1.5 m (CD30) long.

Please observe the following instructions:

- Determine the required cross section of the cable in relation to the cable length according to fig. **6**, page 5.

Key to fig. **6**, page 5

Co-ordinate axis	Meaning	Unit
l	Cable length	m
∅	Cable cross section	mm <sup>2</sup>

Connect your cooling device as directly as possible to the battery terminal or to an outlet with a fuse of at least 15 A (12 V) or 7.5 A (24 V).

- Fix the device in place using the screwing holes (see fig. **4**, page 4 and fig. **5**, page 4).

## 7 Operation



### NOTE

Before starting your new cooling device for the first time, you should clean it inside and outside with a damp cloth for hygienic reasons (please also refer to the chapter "Cleaning and care" on page 14).

### 7.1 Energy saving tips

- Choose a well ventilated installation location which is protected against direct sunlight.
- Allow warm food to cool down first before placing it in the cooling device to keep cool.
- Do not open the cooling device more often than necessary.
- Do not leave the cooling device open for longer than necessary.
- Defrost your cooling device as soon as a layer of ice forms.
- Avoid unnecessarily low temperatures.
- Clean the condenser of dirt (dust etc.) at regular intervals.

### 7.2 Switching on the coolbox

- Open the coolbox drawer.
- To switch on the coolbox, turn the thermostat knob clockwise (see fig. **3** 1, page 4).
- ✓ The coolbox starts cooling the interior.



### NOTE

Ensure that the objects placed in the coolbox are suitable for cooling/warming to the selected temperature.

### 7.3 Selecting the temperature

The switch on the thermostat (see fig. **3** 1, page 4) displays the selected temperature.

Switch position	Temperature range (dependent of ambient temperature)	
	CD20	CD30
MAX	approx. -2 °C in interior	
MIN	approx. +12 °C in interior	

- If you wish to set the temperature to cooling, turn the thermostat knob (see fig. **3** 1, page 4), to the desired temperature range.

### 7.4 Switching off the coolbox



#### NOTE

If you wish to leave the cooling device switched off for a longer period, clean it and leave the drawer slightly open. This will prevent unpleasant odours from forming.

- Open the coolbox drawer.
- To switch off the coolbox, turn the thermostat knob (see fig. **3** 1, page 4) to the "0" position.
- ✓ The coolbox is switched off.
- If you wish to stop using the coolbox, disconnect the connecting cable from the battery.

## 7.5 Defrosting

Humidity can form frost in the interior of the cooling device. This reduces the cooling capacity. Defrost the device in good time to avoid this.

**NOTICE!**

Do not remove the layer of ice with hard or sharp tools. These can damage the plastic of the vaporiser.

- Take the food or other objects out of the device and place it in another cooling device to keep it cool, if necessary.
- Switch the cooling device off (see chapter “Switching off the coolbox” on page 13) and leave the drawer open.
- Wipe off the water resulting from defrosting or – if present – empty the collecting tray.

## 8 Cleaning and care

**WARNING!**

Always disconnect the device from the power supply before you clean and service it.

**NOTICE! Risk of damage**

- Never clean the cooler under running water or in dish water.
- Do not use abrasive cleaning agents or hard objects during cleaning as these can damage the cooler.

- Occasionally clean the device interior and exterior with a damp cloth.
- Make sure that the air inlet and outlet vents on the device are free of any dust and dirt, so that heat can be released and the device is not damaged.

## 9 Warranty

The statutory warranty period applies. If the product is defective, please contact the manufacturer's branch in your country (see the back of the instruction manual for the addresses) or your retailer.

For repair and guarantee processing, please include the following documents when you send in the device:

- A copy of the receipt with purchasing date
- A reason for the claim or description of the fault

## 10 Disposal

- Place the packaging material in the appropriate recycling waste bins wherever possible.



If you wish to finally dispose of the product, ask your local recycling centre or specialist dealer for details about how to do this in accordance with the applicable disposal regulations.

## 11 Troubleshooting



### WARNING!

This device may only be repaired by specialist personnel. Inadequate repairs can lead to considerable hazards.

### Compressor does not run

Feature	Possible cause	Remedy
$U_{\text{Term}} = 0 \text{ Volt}$	There is an interruption in the connection between the battery and the electronics	Establish a connection
	Main switch faulty (if installed)	Replace the main switch
	Additional supply line fuse has blown (if installed)	Replace the supply line fuse
$U_{\text{Term}} \leq U_{\text{ON}}$	Battery voltage is too low	Charge the battery

Feature	Possible cause	Remedy
During attempted start up $U_{Term} \leq U_{OFF}$	Loose cable connection Poor contact (corrosion)	Establish a connection
	Cable cross section too small	Replace the cable (fig. 6, page 5)
	Battery capacity too low	Replace the battery
During attempted start up $U_{Term} \geq U_{ON}$	Ambient temperature too high	–
	Insufficient ventilation and/or air supply	Move the refrigerator to another location
	Condensor is dirty	Clean the condenser
Electric circuit between the pins in the compressor interrupted	Defective compressor	Replace the compressor

$U_{Term}$  Voltage between the positive and negative electronic terminals

$U_{ON}$  Switch on voltage of the electronic connection terminals (see chapter “Technical description” on page 10)

$U_{OFF}$  Switch off voltage of the electronic connection terminals (see chapter “Technical description” on page 10)

### Interior temperature too low in the “MIN” thermostat setting

Feature	Possible cause	Remedy
Compressor runs continuously	Thermostat sensor has no contact to the vaporiser	Secure the sensor
	Short circuit in the thermostat line	Change the thermostat
	Thermostat defective	
Compressor runs for a long time	Large quantities have been frozen in the vaporiser compartment	



### Cooling capacity drops, interior temperature rises

Feature	Possible cause	Remedy
Compressor runs for a long time/continuously	Vaporiser iced over	Defrost the vaporiser
	Cooling area insulation is insufficient (moist/wet)	Adjust/replace the drawer seal
	Ambient temperature too high	
	Insufficient ventilation	Ensure that the device is sufficiently ventilated
	Condenser is dirty	Clean the condenser
	Fan defective (if installed)	Replace the fan
Compressor does not run often	Battery capacity exhausted	Charge the battery


### Unusual noises

Feature	Possible cause	Remedy
Loud humming	A component of the refrigerant circuit cannot move freely (touching the wall)	Bend the component carefully away from the obstruction
	Foreign body jammed between the cooling unit and the wall	Remove the foreign body
	Fan noise	–

### Radio or television interference in the vehicle

Feature	Possible cause	Remedy
Reception interference when the compressor is running	The electronic connection of the cooling device is not directly clamped on to the battery	Connect the cooling device as directly as possible to the battery

## 12 Technical data

	CD20	CD30
Connection voltage:	12 V $\overline{=}$ /24 V $\overline{=}$	
Switch-off voltage:	10.4 V at 12 V $\overline{=}$ 22.8 V at 24 V $\overline{=}$	
Switch-on voltage:	11.7 V at 12 V $\overline{=}$ 24.2 V at 24 V $\overline{=}$	
Rated current:	12 V $\overline{=}$ : 3 A 24 V $\overline{=}$ : 1.5 A	
Cooling capacity:	-2 °C to +12 °C	
Capacity:	20 l	30 l
Climatic class:	N	
Ambient temperature:	+16 °C to +32 °C	
Relative humidity:	max. 90 %	
Permanent inclination:	max. 30°	
Refrigerant quantity:	38 g	42 g
CO <sub>2</sub> equivalent:	0.054 t	0.060 t
Global warming potential (GWP):	1430	
Dimensions:	fig. <b>1</b> , page 3	
Weight:	16.1 kg	18 kg
Test/certificates:		

The refrigerant circuit contains R134a.

Contains fluorinated greenhouse gases

Hermetically sealed equipment

**Bitte lesen Sie diese Anleitung vor der Inbetriebnahme sorgfältig durch und bewahren Sie sie auf. Geben Sie sie im Falle einer Weitergabe des Kühlgerätes an den Nutzer weiter.**

Der Hersteller haftet nicht für Schäden, die durch **nicht bestimmungsgemäßen Gebrauch** oder **falsche Bedienung** verursacht werden.

## Inhaltsverzeichnis

1	Erklärung der Symbole . . . . .	20
2	Sicherheitshinweise . . . . .	20
3	Lieferumfang . . . . .	23
4	Bestimmungsgemäßer Gebrauch . . . . .	23
5	Technische Beschreibung . . . . .	23
6	Kühlbox einbauen . . . . .	24
7	Kühlbox bedienen . . . . .	25
8	Reinigung und Pflege . . . . .	27
9	Gewährleistung . . . . .	28
10	Entsorgung . . . . .	28
11	Störungen beseitigen . . . . .	28
12	Technische Daten . . . . .	31

# 1 Erklärung der Symbole

**GEFAHR!**

**Sicherheitshinweis:** Nichtbeachtung führt zu Tod oder schwerer Verletzung.

**WARNUNG!**

**Sicherheitshinweis:** Nichtbeachtung kann zu Tod oder schwerer Verletzung führen.

**VORSICHT!**

**Sicherheitshinweis:** Nichtbeachtung kann zu Verletzungen führen.

**ACHTUNG!**

Nichtbeachtung kann zu Materialschäden führen und die Funktion des Produktes beeinträchtigen.

**HINWEIS**

Ergänzende Informationen zur Bedienung des Produktes.

## 2 Sicherheitshinweise

### 2.1 Allgemeine Sicherheit

**WARNUNG!**

- Wenn das Kühlgerät sichtbare Beschädigungen aufweist, dürfen Sie es nicht in Betrieb nehmen.
- Wenn das Anschlusskabel dieses Kühlgerätes beschädigt wird, muss es durch den Hersteller, seinen Kundendienst oder eine ähnlich qualifizierte Person ersetzt werden, um Gefährdungen zu vermeiden.
- Reparaturen an diesem Kühlgerät dürfen nur von Fachkräften durchgeführt werden. Durch unsachgemäße Reparaturen können erhebliche Gefahren entstehen.

- Dieses Kühlgerät kann von Kindern ab 8 Jahren und darüber sowie von Personen mit verringerten physischen, sensorischen oder mentalen Fähigkeiten oder Mangel an Erfahrung und Wissen benutzt werden, wenn sie beaufsichtigt oder bezüglich des sicheren Gebrauchs des Kühlgerätes unterwiesen wurden und die daraus resultierenden Gefahren verstehen.
- Reinigung und Benutzer-Wartung dürfen nicht von Kindern ohne Beaufsichtigung durchgeführt werden.
- Kinder dürfen nicht mit dem Kühlgerät spielen.
- Kinder sollten beaufsichtigt werden, um sicherzustellen, dass sie nicht mit dem Kühlgerät spielen.
- Verwahren und benutzen Sie das Kühlgerät außerhalb der Reichweite von Kindern unter 8 Jahren.
- Lagern Sie keine explosionsfähigen Stoffe wie z. B. Sprühdosen mit brennbarem Treibgas im Kühlgerät.

**VORSICHT!**

- Trennen Sie das Kühlgerät von der Stromversorgung
  - vor jeder Reinigung und Pflege
  - nach jedem Gebrauch
- Lebensmittel dürfen nur in Originalverpackungen oder geeigneten Behältern eingelagert werden.

**ACHTUNG!**

- Vergleichen Sie die Spannungsangabe auf dem Typenschild mit der vorhandenen Energieversorgung.
- Schließen Sie das Kühlgerät nur mit dem Gleichstrom-Anschlusskabel an die Gleichstrom-Bordsteckdose (z. B. Zigarettenanzünder) im Fahrzeug an.
- Ziehen Sie den Stecker nie am Anschlusskabel aus der Steckdose.
- Klemmen Sie Ihr Kühlgerät und andere Verbraucher von der Fahrzeugbatterie ab, bevor Sie ein Schnellladegerät anschließen.
- Trennen Sie die Verbindung oder schalten Sie das Kühlgerät aus, wenn Sie den Motor ausschalten. Sonst kann die Fahrzeugbatterie entladen werden.
- Das Kühlgerät ist nicht geeignet für den Transport ätzender oder Lösungsmittelhaltiger Stoffe.

- Dieses Kühlgerät enthält in der Isolierung brennbares Zyklopentan. Die Gase im Isolationsmaterial erfordern ein besonderes Entsorgungsverfahren. Führen Sie das Kühlgerät am Ende seiner Lebensdauer einer ordnungsgemäßen Entsorgung zu.

## 2.2 Sicherheit beim Betrieb des Kühlgerätes



### VORSICHT!

- Achten Sie vor der Inbetriebnahme darauf, dass Zuleitung und Stecker trocken sind.



### ACHTUNG!

- Benutzen Sie keine Elektrogeräte innerhalb des Kühlgerätes, außer wenn diese Elektrogeräte vom Hersteller dafür empfohlen werden.
- Stellen Sie das Kühlgerät nicht in der Nähe von offenen Flammen oder anderen Wärmequellen (Heizung, starke Sonneneinstrahlung, Gasöfen usw.) ab.
- **Überhitzungsgefahr!**  
Achten Sie stets darauf, dass beim Betrieb entstehende Wärme ausreichend abgeführt werden kann. Sorgen Sie dafür, dass das Kühlgerät in ausreichendem Abstand zu Wänden oder Gegenständen steht, sodass die Luft zirkulieren kann.
- Achten Sie darauf, dass die Lüftungsöffnungen nicht abgedeckt werden.
- Füllen Sie keine Flüssigkeiten oder Eis in den Innenbehälter.
- Tauchen Sie das Kühlgerät nie in Wasser.
- Schützen Sie das Kühlgerät und die Kabel vor Hitze und Nässe.
- Für den Betrieb im LKW:  
Leeren Sie die Kühlbox und schalten Sie das Gerät aus (siehe Kapitel „Kühlbox ausschalten“ auf Seite 26), bevor das Fahrerhaus gekippt wird.

### 3 Lieferumfang

Menge	Bezeichnung
1	Schubfach-Kühlbox
4	Befestigungswinkel
1	Einbau- und Bedienungsanleitung

### 4 Bestimmungsgemäßer Gebrauch

Die Schubfach-Kühlboxen CD20 und CD30 sind für den mobilen Einsatz in LKW, Boot oder Caravan geeignet und ist für eine Dauer-Krängung von maximal 30° ausgelegt.

Eine optimale Kühlleistung ist gewährleistet bei Umgebungstemperaturen zwischen +16 °C und +32 °C sowie bei einer Luftfeuchtigkeit von höchstens 90 %.



#### HINWEIS

Bevor Sie das Kühlgerät extremen Beanspruchungen aussetzen, sollten Sie sich mit dem Hersteller in Verbindung setzen.



#### VORSICHT! Gesundheitsgefahr!

- Prüfen Sie bitte, ob die Kühlleistung des Gerätes den Anforderungen der Lebensmittel oder Medikamente entspricht, die Sie kühlen wollen.
- Lebensmittel dürfen nur in Originalverpackungen oder geeigneten Behältern eingelagert werden.

### 5 Technische Beschreibung

Die Kühlgeräte können Waren in einem Temperaturbereich von -2 °C bis +12 °C abkühlen bzw. kühl halten.

Die Kühlbox ist mit einem Batteriewächter ausgestattet, der den Kompressor aus- und wieder einschaltet und damit Batterie und Kompressor vor Schaden schützt. Die Ein- und Ausschaltpunkte, gemessen an den Anschlussklemmen des Kompressors, sind im Kapitel „Technische Daten“ auf Seite 31 aufgeführt.

## 5.1 Bedienelemente

Nr. in  
Abb. **3**,  
Seite 4

Erklärung

1

Thermostat

## 6 Kühlbox einbauen



### ACHTUNG!

- Achten Sie darauf, dass das Plus-Kabel am Plus- und das Minus-Kabel am Minus-Pol angeschlossen werden.
- Stellen Sie bei der Wahl des Einbauortes sicher, dass die vom Verflüssiger erwärmte Luft gut abziehen kann.



### HINWEIS

- Um Spannungs- und damit Leistungsverluste zu vermeiden, sollte der Kabelweg möglichst kurz und nicht unterbrochen sein. Vermeiden Sie daher zusätzliche Schalter, Stecker oder Verteilerdosen.
- Sie können den Kompressor vom Kühlgerät abbauen und an einer anderen Stelle am Kühlgerät oder separat davon montieren (Abb. **2**, Seite 3). Beachten Sie dabei die Länge der Kühlmittelleitung von 1,5 m (CD 20)/1,5 m (CD 30).

Bitte beachten Sie folgende Hinweise:

- Bestimmen Sie den notwendigen Querschnitt des Kabels in Abhängigkeit von der Kabellänge gemäß Abb. **6**, Seite 5.

Legende zu Abb. **6**, Seite 5

Koordinatenachse	Bedeutung	Einheit
l	Kabellänge	m
∅	Kabelquerschnitt	mm <sup>2</sup>

Schließen Sie Ihr Kühlgerät möglichst direkt an die Pole der Batterie oder an einen mit mindestens 15 A (12 V)/7,5 A (24 V) abgesicherten Steckplatz an.

- Verschrauben Sie das Kühlgerät am Einbauort an den Anschraubpunkten (Abb. **4**, Seite 4, und Abb. **5**, Seite 4).



## 7 Kühlbox bedienen



### HINWEIS

Bevor Sie das neue Kühlgerät in Betrieb nehmen, sollten Sie es aus hygienischen Gründen innen und außen mit einem feuchten Tuch reinigen (siehe auch Kapitel „Reinigung und Pflege“ auf Seite 27).

### 7.1 Tipps zum Energiesparen

- Wählen Sie einen gut belüfteten und vor Sonnenstrahlen geschützten Einsatzort.
- Lassen Sie warme Speisen erst abkühlen, bevor Sie sie im Kühlgerät kühl halten.
- Öffnen Sie das Kühlgerät nicht häufiger als nötig.
- Lassen Sie das Kühlgerät nicht länger offen als nötig.
- Tauen Sie Ihr Kühlgerät ab, sobald sich eine Eisschicht gebildet hat.
- Vermeiden Sie eine unnötig tiefe Innentemperatur!
- Befreien Sie in regelmäßigen Abständen den Kondensator von Verunreinigungen (Staub usw.).

### 7.2 Kühlbox einschalten

- Öffnen Sie die Schublade der Kühlbox.
  - Um die Kühlbox einzuschalten, drehen Sie den Knopf des Thermostats (Abb. **3** 1, Seite 4) im Uhrzeigersinn.
- ✓ Die Kühlbox startet mit dem Kühlen des Innenraums.



### HINWEIS

Achten Sie darauf, dass sich nur Gegenstände bzw. Waren in der Kühlbox befinden, die auf die gewählte Temperatur gekühlt bzw. erwärmt werden dürfen.

## 7.3 Temperatur wählen

Der Schaltknopf am Thermostat (Abb. **3** 1, Seite 4) zeigt den gewählten Temperaturbereich an.

Schaltknopf- Position	Temperaturbereich (abhängig von Umgebungstemperatur)	
	CD 20	CD 30
MAX	ca. -2 °C im Innenraum	
MIN	ca. +12 °C im Innenraum	

- Wenn Sie die Temperatur zum Kühlen wählen wollen, drehen Sie den Schaltknopf am Thermostat (Abb. **3** 1, Seite 4), bis der gewünschte Temperaturbereich erreicht ist.

## 7.4 Kühlbox ausschalten



### HINWEIS

Wenn Sie das Kühlgerät für längere Zeit stilllegen, reinigen Sie es und lassen Sie die Schublade leicht geöffnet. Auf diese Weise verhindern Sie die Bildung von unangenehmen Gerüchen.

- Öffnen Sie die Schublade der Kühlbox.
- Um die Kühlbox auszuschalten, drehen Sie den Knopf des Thermostats (Abb. **3** 1, Seite 4) auf die Position „0“.
- ✓ Die Kühlbox ist ausgeschaltet.
- Wenn Sie die Kühlbox außer Betrieb nehmen, klemmen Sie das Anschlusskabel von der Batterie ab.

## 7.5 Kühlbox abtauen

Luftfeuchtigkeit kann sich im Innenraum des Kühlgerätes als Reif niederschlagen, der die Kühlleistung verringert. Tauen Sie das Gerät daher rechtzeitig ab.



### **ACHTUNG!**

Entfernen Sie die Eisschicht nie mit harten oder spitzen Werkzeugen, die den Kunststoff oder den Verdampfer beschädigen können.

- Nehmen Sie das Kühlgut heraus und lagern Sie es ggf. in einem anderen Kühlgerät, damit es kalt bleibt.
- Schalten Sie das Kühlgerät aus (siehe Kapitel „Kühlbox ausschalten“ auf Seite 26) und lassen Sie die Schublade offen.
- Wischen Sie das Tauwasser auf oder – falls vorhanden – leeren Sie die Auffangschale.

## 8 Reinigung und Pflege



### **WARNUNG!**

Trennen Sie vor jeder Reinigung und Pflege das Kühlgerät von der Stromversorgung.



### **ACHTUNG! Beschädigungsgefahr!**

- Reinigen Sie das Kühlgerät niemals unter fließendem Wasser oder gar im Spülwasser.
- Verwenden Sie zur Reinigung keine scharfen Reinigungsmittel oder harten Gegenstände, da diese das Kühlgerät beschädigen können.

- Reinigen Sie das Kühlgerät innen und außen gelegentlich mit einem feuchten Tuch.
- Stellen Sie sicher, dass die Be- und Entlüftungsöffnungen des Kühlgerätes frei von Staub und Verunreinigungen sind, damit die beim Betrieb entstehende Wärme abgeführt werden kann und das Kühlgerät keinen Schaden nimmt.

## 9 Gewährleistung

Es gilt die gesetzliche Gewährleistungsfrist. Sollte das Produkt defekt sein, wenden Sie sich bitte an die Niederlassung des Herstellers in Ihrem Land (Adressen siehe Rückseite der Anleitung) oder an Ihren Fachhändler.

Zur Reparatur- bzw. Gewährleistungsbearbeitung müssen Sie folgende Unterlagen mitschicken:

- eine Kopie der Rechnung mit Kaufdatum,
- einen Reklamationsgrund oder eine Fehlerbeschreibung.

## 10 Entsorgung

- Geben Sie das Verpackungsmaterial möglichst in den entsprechenden Recycling-Müll.



Wenn Sie das Produkt endgültig außer Betrieb nehmen, informieren Sie sich bitte beim nächsten Recyclingcenter oder bei Ihrem Fachhändler über die zutreffenden Entsorgungsvorschriften.

## 11 Störungen beseitigen



### WARNING!

Reparaturen an diesem Gerät dürfen nur von Fachkräften durchgeführt werden. Durch unsachgemäße Reparaturen können erhebliche Gefahren entstehen.

### Kompressor läuft nicht

Störung	Mögliche Ursache	Lösung
$U_{KL} = 0 V$	Unterbrechung in der Anschlussleitung Batterie – Elektronik	Verbindung herstellen
	Hauptschalter defekt (falls vorhanden)	Hauptschalter wechseln
	Zusätzliche Leitungsabsicherung durchgebrannt (falls vorhanden)	Leitungsabsicherung wechseln
$U_{KL} \leq U_{EIN}$	Batteriespannung zu niedrig	Batterie laden

Störung	Mögliche Ursache	Lösung
Startversuch mit $U_{KL} \leq U_{AUS}$	Lose Kabelverbindung Schlechter Kontakt (Korrosion)	Verbindung herstellen
	Batteriekapazität zu gering	Batterie wechseln
	Kabelquerschnitt zu gering	Kabel wechseln (Abb. <b>6</b> , Seite 5)
Startversuch mit $U_{KL} \geq U_{EIN}$	Umgebungstemperatur zu hoch	–
	Be- und Entlüftung nicht ausreichend	Kühlschrank umstellen
	Kondensator verschmutzt	Kondensator reinigen
Elektrische Unterbrechung im Kompressor zwischen den Stiften	Kompressor defekt	Kompressor wechseln

$U_{KL}$  Spannung zwischen Plus- und Minusklemme der Elektronik

$U_{EIN}$  Einschaltspannung Anschlussklemme Elektronik  
(siehe Kapitel „Technische Beschreibung“ auf Seite 23)

$U_{AUS}$  Ausschaltspannung Anschlussklemme Elektronik  
(siehe Kapitel „Technische Beschreibung“ auf Seite 23)

### Innentemperatur zu kalt in Thermostat-Stellung „MIN“

Störung	Mögliche Ursache	Lösung
Kompressor läuft dauernd	Thermostat-Fühler hat keinen Kontakt am Verdampfer	Fühler befestigen
	Kurzschluss in Thermostatleitung	Thermostat wechseln
	Thermostat defekt	
Kompressor läuft lange	Im Gefrierfach wurde größere Menge eingefroren	–

**Kühlleistung lässt nach, Innentemperatur steigt**

Störung	Mögliche Ursache	Lösung
Kompressor läuft lange/dauernd	Verdampfer vereist	Verdampfer abtauen
	Kühlraum-Isolierung nicht ausreichend (feucht/nass)	Schubladendichtung nachstellen/austauschen
	Umgebungstemperatur zu hoch	–
	Be- und Entlüftung nicht ausreichend	Kühlschrank umstellen
	Kondensator verschmutzt	Kondensator reinigen
	Lüfter defekt	Lüfter wechseln
Kompressor läuft selten	Batteriekapazität erschöpft	Batterie laden


**Ungewöhnliche Geräusche**

Störung	Mögliche Ursache	Lösung
Lautes Brummen	Bauteil des Kältekreislaufes kann nicht frei schwingen (liegt an Wandung an)	Bauteil vorsichtig abbiegen
	Fremdkörper zwischen Kühlmaschine und Wand eingeklemmt	Fremdkörper entfernen
	Lüftergeräusch	–

**Rundfunk- oder Fernsehstörungen im Fahrzeug**

Störung	Mögliche Ursache	Lösung
Empfangsstörungen während der Kompressor läuft	Elektronik-Anschluss des Kühlgerätes ist nicht direkt an der Batterie angeklemt	Schließen Sie Ihr Kühlgerät möglichst direkt an die Pole der Batterie an.

## 12 Technische Daten

	CD20	CD30
Anschlussspannung:	12 V $\overline{\text{---}}$ /24 V $\overline{\text{---}}$	
Ausschaltspannung:	10,4 V bei 12 V $\overline{\text{---}}$ 22,8 V bei 24 V $\overline{\text{---}}$	
Einschaltspannung:	11,7 V bei 12 V $\overline{\text{---}}$ 24,2 V bei 24 V $\overline{\text{---}}$	
Nennstrom:	12 V $\overline{\text{---}}$ : 3 A 24 V $\overline{\text{---}}$ : 1,5 A	
Kühlleistung:	-2 °C bis +12 °C	
Nutzinhalt:	20 l	30 l
Klimaklasse:	N	
Umgebungstemperatur:	+16 °C bis +32 °C	
Luftfeuchtigkeit:	max. 90 %	
Dauer-Krängung:	max. 30°	
Kühlmittelmenge:	38 g	42 g
CO <sub>2</sub> -Äquivalent:	0,054 t	0,060 t
Treibhauspotential (GWP):	1430	
Abmessungen:	Abb. <b>1</b> , Seite 3	
Gewicht:	16,1 kg	18 kg
Prüfung/Zertifikate:		

Der Kühlkreislauf enthält R134a.

Enthält fluorierte Treibhausgase

Hermetisch geschlossene Einrichtung

**Veillez lire ce manuel avec attention avant de mettre l'appareil en service. Conservez ensuite ce manuel. En cas de passer de l'appareil, veuillez le transmettre au nouvel acquéreur.**

Le fabricant décline toute responsabilité en cas de dommages provoqués par une **utilisation non-conforme de l'appareil** ou **par des erreurs de manipulation**.

## Table des matières

1	Explication des symboles . . . . .	33
2	Consignes de sécurité . . . . .	33
3	Livraison . . . . .	35
4	Utilisation conforme . . . . .	36
5	Description technique . . . . .	36
6	Montage . . . . .	37
7	Utilisation . . . . .	38
8	Nettoyage et entretien . . . . .	40
9	Garantie . . . . .	41
10	Retraitement . . . . .	41
11	Dépannage . . . . .	42
12	Caractéristiques techniques . . . . .	45



# 1 Explication des symboles

**DANGER !**

**Consigne de sécurité :** le non-respect de ces consignes entraîne la mort ou de graves blessures.

**AVERTISSEMENT !**

**Consigne de sécurité :** le non-respect de ces consignes peut entraîner la mort ou de graves blessures.

**ATTENTION !**

**Consigne de sécurité :** le non-respect de ces consignes peut entraîner des blessures.

**AVIS !**

Le non-respect de ces consignes peut entraîner des dommages matériels et des dysfonctionnements du produit.

**REMARQUE**

Informations complémentaires sur l'utilisation du produit.

## 2 Consignes de sécurité

### 2.1 Sécurité générale

**AVERTISSEMENT !**

- Si l'appareil présente des dégâts visibles, vous ne devez pas le mettre en service.
- Si le câble de raccordement de l'appareil est endommagé, il doit être remplacé par le fabricant, son service après-vente ou une personne de qualification similaire, afin d'éviter tout danger.
- Seul un personnel qualifié est habilité à effectuer des réparations sur l'appareil. Toute réparation mal effectuée risque d'entraîner de graves dangers.

- Les enfants âgés de 8 ans et plus ainsi que les personnes ayant des déficiences physiques, sensorielles ou mentales ou un manque d'expérience ou de connaissances peuvent utiliser ce produit à condition d'être sous surveillance ou d'avoir reçu des instructions concernant l'utilisation de l'appareil en toute sécurité et de comprendre les dangers qui en résultent.
- Le nettoyage et la maintenance ne doivent pas être effectués par des enfants sans surveillance.
- Les enfants ne doivent pas jouer avec cet appareil.
- Les enfants doivent être surveillés pour s'assurer qu'ils ne jouent pas avec l'appareil.
- Placez et utilisez l'appareil hors de portée des enfants de moins de 8 ans.
- Ne stockez aucune substance explosive comme p. ex. des aérosols contenant des agents propulseurs dans l'appareil.

**ATTENTION !**

- Débranchez l'appareil du secteur
  - avant tout nettoyage et entretien
  - après chaque utilisation
- Les aliments ne peuvent être conservés que dans leurs emballages originaux ou dans des récipients appropriés.

**AVIS !**

- Comparez la tension indiquée sur la plaque signalétique avec l'alimentation électrique dont vous disposez.
- Branchez l'appareil uniquement avec le câble de raccordement CC sur une prise CC du véhicule (par ex. un allume-cigare).
- Ne tirez jamais sur le câble de raccordement pour sortir la fiche de la prise.
- Débranchez de la batterie la glacière et les autres consommateurs d'énergie avant de raccorder un chargeur rapide.
- Débranchez ou éteignez la glacière lorsque vous éteignez le moteur. Dans le cas contraire, il se pourrait que la batterie se décharge.
- N'utilisez pas la glacière pour le transport de produits corrosifs ou de solvants.

- Cette glacière contient du cyclopentane inflammable dans son isolation. Les gaz contenus dans le matériau d'isolation exigent une procédure de retraitement particulière. Une fois que vous ne l'utilisez plus, recyclez l'appareil de manière conforme.

## 2.2 Consignes de sécurité concernant le fonctionnement de l'appareil



### ATTENTION !

- Avant de mettre l'appareil en service, assurez-vous que la ligne d'alimentation électrique et la fiche sont sèches.



### AVIS !

- N'utilisez aucun appareil électrique dans la glacière, sauf si ces appareils sont recommandés par le fabricant pour cet usage.
- Ne placez pas l'appareil près de flammes ou d'autres sources de chaleur (chauffage, rayons solaires, réchauds à gaz, etc.).
- **Danger de surchauffe !**  
Veillez toujours à ce que la chaleur produite lors du fonctionnement soit suffisamment dissipée. Veillez à ce que l'appareil se trouve à une distance suffisante des murs ou des objets, de sorte que l'air puisse circuler.
- Assurez-vous que les fentes d'aération ne sont pas recouvertes.
- Ne pas remplir le bac intérieur de substances liquides ou de glace.
- Ne plongez jamais l'appareil dans l'eau.
- Tenez l'appareil et les câbles à l'abri de la chaleur et de l'humidité.
- Dans la voiture :  
Videz la glacière et débranchez l'appareil (voir chapitre « Débrancher la glacière », page 39) avant que la cabine du conducteur ne soit déchargée.

## 3 Livraison

Quantité	Désignation
1	Glacière à tiroir
4	Equerre de fixation
1	Notice d'emploi

## 4 Utilisation conforme

Les glacières à tiroir CD 20 et CD 30 sont conçues pour l'utilisation mobile dans la voiture, sur le bateau ou dans la caravane et supporte un angle de gîte de maximum 30°.

Une puissance de refroidissement optimale est garantie à des températures ambiantes comprises entre +16 °C et +32 °C ainsi que pour une humidité de l'air de 90 % maximum.



### REMARQUE

Veillez contacter le fabricant avant de soumettre la glacière à des conditions extrêmes.



### ATTENTION ! Risque pour la santé !

- Veuillez vérifier si la puissance frigorifique de l'appareil correspond à la température de conservation recommandée pour les aliments ou les médicaments que vous souhaitez refroidir.
- Les produits alimentaires doivent être conservés dans leurs emballages originaux ou dans des récipients appropriés.

## 5 Description technique

Les appareils réfrigérants peuvent réfrigérer et maintenir au frais des aliments dans une plage de température de -2 °C à +12 °C.

La glacière est pourvue d'un protecteur de batterie qui débranche et rebranche le condensateur afin de protéger la batterie et le compresseur de dommages. Les points de démarrage et d'arrêt, mesurés aux bornes de raccordement du compresseur, sont représentés dans le chapitre « Caractéristiques techniques », page 45.

### 5.1 Éléments de commande

N° dans  
fig. 3,  
page 4

Explication

1

Thermostat

## 6 Montage



### AVIS !

- Veillez à respecter la polarité, c'est-à-dire à ce que le câble positif soit raccordé au pôle positif et le câble négatif soit raccordé au pôle négatif.
- Assurez-vous que l'air chauffée par le condenseur sur le lieu d'emplacement peut facilement être évacuée.



### REMARQUE

- Pour éviter des pertes de tension et de puissance frigorifique, le parcours du câble doit être le plus court possible et ne peut être interrompu. Evitez donc de placer des interrupteurs, des connecteurs ou des répartiteurs supplémentaires.
- Vous pouvez démonter le compresseur de la glacière et le monter à un autre endroit de la glacière ou même séparément (fig. **2**, page 3).  
Ce faisant, tenez compte de la longueur du câble de réfrigérant, de 1,5 m (CD20)/1,5 m (CD30).

Veillez respecter les consignes suivantes :

- A l'aide de fig. **6**, page 5, déterminez la section nécessaire du câble en fonction de sa longueur.

Légende de fig. **6**, page 5

Axe des coordonnées	Signification	Unité
l	Longueur du câble	m
∅	Section du câble	mm <sup>2</sup>

Raccordez votre glacière directement au pôle de la batterie ou à un emplacement pourvu d'une prise de courant embrochable d'au moins 15 A (12 V) ; 7,5 A (24 V).

- Utilisez les points de vissage prévus sur les côtés de la glacière pour la fixation de l'appareil sur l'emplacement (voir fig. **4**, page 4 et fig. **5**, page 4).

## 7 Utilisation



### REMARQUE

Avant de mettre en service la nouvelle glacière, vous devez, pour des raisons d'hygiène, le nettoyer à l'intérieur et à l'extérieur à l'aide d'un tissu humide (voir aussi chapitre « Nettoyage et entretien », page 40).

### 7.1 Recommandations pour consommer moins d'électricité

- Choisissez un emplacement bien aéré et à l'abri du soleil.
- Laissez refroidir les aliments chauds avant de les déposer dans la glacière.
- Ne pas ouvrir la glacière plus souvent que nécessaire.
- Ne laissez pas la glacière ouverte plus longtemps que nécessaire.
- Dégivrez la glacière dès qu'une couche de glace s'est formée.
- Évitez une basse température intérieure inutile !
- Ecartez régulièrement les impuretés du condensateur (poussière etc.).

### 7.2 Brancher la glacière

- Ouvrez le tiroir de la glacière.
- Pour brancher la glacière, tournez le bouton du thermostat (voir fig. **3** 1, page 4) dans le sens des aiguilles d'une montre.
- ✓ La glacière commence par la réfrigération de la chambre intérieure.



### REMARQUE

Veillez à déposer uniquement des objets ou des aliments qui peuvent être réfrigérés ou réchauffés à la température déterminée dans la glacière.

## 7.3 Sélectionner la température

Le bouton de démarrage au thermostat indique (vois fig. **3** 1, page 4) la plage de température sélectionnée.

Position du bouton de démarrage	Plage de température : (dépend de la température ambiante)	
	CD20	CD30
MAX	env. -2 °C dans la chambre intérieure	
MIN	env. +12 °C dans la chambre intérieure	

- Lorsque vous voulez sélectionner la température pour réfrigérer, tournez le bouton de démarrage du thermostat (voir fig. **3** 1, page 4) jusqu'à ce que la plage de température souhaitée est atteinte.

## 7.4 Débrancher la glacière



### REMARQUE

Si vous avez l'intention de mettre à l'arrêt la glacière pour une période prolongée, nous vous recommandons de la nettoyer et de laisser le tiroir partiellement ouvert. Ainsi vous évitez la production de mauvaises odeurs.

- Ouvrez le tiroir de la glacière.
- Pour débrancher la glacière, tournez le bouton du thermostat (voir fig. **3** 1, page 4) jusqu'à ce qu'il se trouve en position « 0 ».
- ✓ La glacière est débranchée.
- Lorsque vous mettez l'appareil hors service, débranchez le câble de raccordement de la batterie.

## 7.5 Dégivrage

L'humidité de l'air peut se condenser en forme de givre à l'intérieur de la glacière et diminuer ainsi la puissance frigorifique. Veillez donc à dégivrer l'appareil bien à temps.



### AVIS !

N'écartez jamais la couche de glace à l'aide d'outils durs ou pointilleux car ceux-ci peuvent endommager la matière plastique ou l'évaporateur.

- Retirez les produits de la glacière et déposez-les dans un autre appareil réfrigérateur si nécessaire afin qu'ils restent froids.
- Débranchez la glacière (voir chapitre « Débrancher la glacière », page 39) et laissez le tiroir ouvert.
- Essayez l'eau provenant du dégivrage ou videz le récipient s'il est à disposition.

## 8 Nettoyage et entretien



### AVERTISSEMENT !

Avant toute opération de nettoyage ou d'entretien de l'appareil, veillez à le mettre hors secteur.



### AVIS ! Risque d'endommagement !

- Ne nettoyez jamais la glacière à l'eau courante et ne la plongez pas non plus dans l'eau.
  - N'utilisez pour le nettoyage ni produits abrasifs ni objets durs qui pourraient endommager la glacière.
- Nettoyez de temps à autre l'appareil à l'intérieur et à l'extérieur avec un chiffon humide.
  - Assurez-vous que les ouvertures d'aération et de ventilation de l'appareil ne sont pas encombrées de saletés ou de poussières, pour que la chaleur générée par le fonctionnement soit évacuée et que l'appareil ne soit pas endommagé.



## 9 Garantie

Le délai légal de garantie s'applique. Si le produit s'avérait défectueux, veuillez vous adresser à la filiale du fabricant située dans votre pays (voir adresses au verso du présent manuel) ou à votre revendeur spécialisé.

Veillez y joindre les documents suivants pour la gestion des réparations et de la garantie :

- une copie de la facture avec la date d'achat,
- le motif de la réclamation ou une description du dysfonctionnement.

## 10 Retraitement

- Jetez les emballages dans les conteneurs de déchets recyclables prévus à cet effet.



Lorsque vous mettez votre produit définitivement hors service, informez-vous auprès du centre de recyclage le plus proche ou auprès de votre revendeur spécialisé sur les prescriptions relatives au retraitement des déchets.

# 11 Dépannage



## AVERTISSEMENT !

Les réparations sur cet appareil doivent être effectuées uniquement par des spécialistes. Des dangers sérieux peuvent être provoqués par des réparations non conformes.

### Le compresseur ne fonctionne pas

Caractéristiques	Cause éventuelle	Solution
$U_{\text{Bornes}} = 0 \text{ Volt}$	Interruption de la ligne de raccordement entre la batterie et l'électronique	Rétablir la connexion
	Commutateur principal défectueux (s'il fait partie des composants)	Changer le commutateur principal
	Le fusible supplémentaire de la ligne est grillé (s'il fait partie des composants)	Changer le fusible de la ligne
$U_{\text{Bornes}} \leq U_{\text{Marche}}$	Tension de batterie trop faible	Charger la batterie
Lors d'un essai de démarrage $U_{\text{Bornes}} \leq U_{\text{Arrêt}}$	Les câbles sont débranchés Mauvais contact (corrosion)	Rétablir la connexion
	Capacité de batterie trop faible	Changer la batterie
	Section du câble trop petite	Changer le câble (fig. <b>6</b> , page 5)
Lors d'un essai de démarrage $U_{\text{Bornes}} \geq U_{\text{Marche}}$	Température ambiante trop élevée	–
	Ventilation et aération insuffisantes	Déplacer l'appareil
	Le condensateur est sale	Nettoyer le condensateur
Interruption électrique dans le compresseur entre les broches	Compresseur défectueux.	La réparation peut être effectuée uniquement par un service après-vente agréé.

$U_{\text{Bornes}}$	Tension entre la pince positive et négative de l'électronique
$U_{\text{Marche}}$	Tension de démarrage de la pince de raccordement de l'électronique (voir chapitre « Description technique », page 36)
$U_{\text{Arrêt}}$	Tension d'arrêt de la pince de raccordement de l'électronique voir chapitre « Description technique », page 36)

### Température intérieure trop basse sur la position « MIN » du thermostat

Caractéristiques	Cause éventuelle	Solution
Fonctionnement continu du compresseur	Pas de contact établi entre le détecteur du thermostat et l'évaporateur	Fixer le détecteur
	Court-circuit dans la ligne du thermostat	Changer le thermostat
	Thermostat défectueux	
Longue durée de fonctionnement du compresseur	Grande quantité gelée dans le compartiment de l'évaporateur	

### Puissance frigorifique non-satisfaisante, augmentation de la température intérieure

Caractéristiques	Cause éventuelle	Solution
Longue durée de fonctionnement/fonctionnement continu du compresseur	Givrage de l'évaporateur	Dégivrer l'évaporateur
	Isolation insuffisante du compartiment réfrigérateur (humide/mouillée)	Réajuster/changer les joints du tiroir
	Température ambiante trop élevée	
	Ventilation par aspiration et aération insuffisante	Garantir une ventilation suffisante
	Condensateur sali	Nettoyer le condensateur
Le compresseur fonctionne rarement	Ventilateur défectueux (s'il fait partie des composants)	Changer le ventilateur
	Batterie à plat/usagée	Charger la batterie


**Bruits inhabituels**

<b>Caractéristiques</b>	<b>Cause éventuelle</b>	<b>Solution</b>
Ronronnement fort	Les mouvements d'un élément du circuit de refroidissement sont bloqués (l'élément est coincé contre la paroi)	Redresser l'élément avec précaution
	Corps étranger coincé entre l'unité de réfrigération et la paroi	Retirer le corps étranger
	Le ventilateur fait du bruit	–

**Réception radio/télévision perturbée dans la voiture**

<b>Caractéristiques</b>	<b>Cause éventuelle</b>	<b>Solution</b>
Interférences lors du fonctionnement du compresseur	Raccord électronique de la machine frigorifique n'est pas connecté directement à la batterie	Raccordez votre glacière directement aux pôles de la batterie

## 12 Caractéristiques techniques

	CD20	CD30
Tension de raccordement :	12 V $\overline{\text{---}}$ /24 V $\overline{\text{---}}$	
Tension d'arrêt :	10,4 V à 12 V $\overline{\text{---}}$ 22,8 V à 24 V $\overline{\text{---}}$	
Tension de démarrage :	11,7 V à 12 V $\overline{\text{---}}$ 24,2 V à 24 V $\overline{\text{---}}$	
Courant nominal :	12 V $\overline{\text{---}}$ : 3 A 24 V $\overline{\text{---}}$ : 1,5 A	
Puissance frigorifique :	-2 °C à +12 °C	
Capacité utile :	20 l	30 l
Classe climatique :	N	
Température ambiante :	+16 °C à +32 °C	
Humidité de l'air :	max. 90 %	
Angle de gîte permanent :	max. 30°	
Quantité de fluide frigorigène :	38 g	42 g
Équivalent CO <sub>2</sub> :	0,054 t	0,060 t
Potentiel d'effet de serre (GWP) :	1430	
Dimensions :	fig. <b>1</b> , page 3	
Poids :	16,1 kg	18 kg
Contrôle/certificats :		

Le circuit de refroidissement contient du R134a.

Contient des gaz à effet de serre fluorés

Équipement hermétiquement scellé

**Lea atentamente este manual antes de la puesta en funcionamiento del aparato y consérvelo en un lugar seguro para futuras consultas. En caso de vender o entregar el aparato a otra persona, entregue también estas instrucciones.**

El fabricante declina toda responsabilidad por los daños causados por **el uso inadecuado** o por el **uso incorrecto** del aparato.

## Índice

1	Explicación de los símbolos . . . . .	47
2	Indicaciones de seguridad . . . . .	47
3	Contenido del envío . . . . .	49
4	Uso adecuado . . . . .	50
5	Descripción técnica . . . . .	50
6	Montaje . . . . .	51
7	Manejo. . . . .	52
8	Limpieza y mantenimiento . . . . .	54
9	Garantía legal . . . . .	55
10	Eliminación . . . . .	55
11	Solución de averías. . . . .	56
12	Datos técnicos. . . . .	59

# 1 Explicación de los símbolos

**¡PELIGRO!**

**Indicación de seguridad:** su incumplimiento acarrea la muerte o graves lesiones.

**¡ADVERTENCIA!**

**Indicación de seguridad:** su incumplimiento puede acarrear la muerte o graves lesiones.

**¡ATENCIÓN!**

**Indicación de seguridad:** su incumplimiento puede acarrear lesiones.

**¡AVISO!**

Su incumplimiento puede acarrear daños materiales y perjudicar el correcto funcionamiento del producto.

**NOTA**

Información adicional para el manejo del producto.

## 2 Indicaciones de seguridad

### 2.1 Seguridad general

**¡ADVERTENCIA!**

- No ponga el aparato en funcionamiento si presenta desperfectos visibles.
- Si se daña el cable de conexión del aparato, éste deberá ser reemplazado por el fabricante, su servicio de atención al cliente o una persona cualificada para evitar así posibles peligros.
- Sólo personal especializado puede realizar reparaciones en el aparato. Las reparaciones realizadas indebidamente pueden dar lugar a situaciones de considerable peligro.

- Los niños mayores de 8 años y las personas de capacidad física, sensorial o mental disminuida, así como aquellas personas con falta de experiencia y/o conocimientos suficientes solo podrán utilizar este aparato si están vigilados o han sido instruidos respecto al uso seguro del aparato y a los posibles peligros que pueden emanar de él.
- Los niños solo podrán realizar las tareas de limpieza y mantenimiento bajo vigilancia.
- Los niños no están autorizados a jugar con el aparato.
- Se ha de vigilar a los niños para garantizar que no usen este aparato como juguete.
- Mantenga y utilice el aparato fuera del alcance de los niños menores de 8 años.
- No guarde en el aparato sustancias con peligro de explosión como, p. ej., atomizadores con gases combustibles.

**¡ATENCIÓN!**

- Desconecte el aparato de la red
  - antes de realizar cualquier tarea de limpieza y mantenimiento;
  - después de cada uso.
- Los alimentos sólo se pueden guardar en los envases originales o en recipientes adecuados.

**¡AVISO!**

- Compare el valor de tensión indicado en la placa de características con el suministro de energía existente.
- Conecte el aparato únicamente con el cable de alimentación CC a una caja de enchufe CC en el vehículo (por ejemplo mechero del vehículo)
- No extraiga nunca la clavija de la caja de enchufe tirando del cable de conexión.
- Desconecte de la batería el aparato refrigerador u otros dispositivos consumidores si va a conectar un cargador rápido.
- Desconecte la conexión o apague el aparato cuando apague el motor. De lo contrario podrá descargarse la batería.
- Este aparato refrigerador no es apto para transportar sustancias corrosivas o disolventes.



- Este aislamiento de este aparato refrigerador contiene ciclopentano inflamable. Los gases presentes en el material aislante requieren un proceso de eliminación especial. Elimine debidamente el aparato al final de su vida útil.

## 2.2 Seguridad durante el funcionamiento del aparato



### ¡ATENCIÓN!

- Antes de la puesta en funcionamiento, asegúrese de que el cable de alimentación y la clavija de enchufe estén secos.



### ¡AVISO!

- No utilice ningún aparato eléctrico dentro de la nevera, a no ser que el aparato en cuestión haya sido recomendado para ello por el fabricante.
- No coloque el aparato cerca de llamas vivas ni de otras fuentes de calor (calefacción, radiación directa del sol, estufas de gas, etc.).
- **¡Peligro de sobrecalentamiento!**  
Asegúrese todo el tiempo de que el calor producido durante el funcionamiento se puede desalojar adecuadamente. Asegúrese de que el aparato guarda la suficiente distancia con las paredes u objetos, de forma que el aire pueda circular.
- Procure que no se obstruyan las ranuras de ventilación.
- No introduzca líquidos ni hielo en el contenedor interior.
- No sumerja nunca el aparato en agua.
- Proteja el aparato y los cables del calor y de la humedad.
- Para el funcionamiento en un camión:  
Vacíe la nevera y apague el aparato (véase capítulo “Desconexión de la nevera” en la página 53), antes de bascular la cabina del conductor.

## 3 Contenido del envío

Cantidad	Descripción
1	Cajón nevera
4	Escuadra de sujeción
1	Manual de instrucciones

## 4 Uso adecuado

Los cajones nevera CD 20 y CD 30 son aptos para su uso portátil en camiones, embarcaciones o caravanas y han sido diseñados para funcionar con un ángulo de escora constante de 30° como máximo.

La potencia de refrigeración óptima viene dada con una temperatura ambiente entre +16 °C y +32 °C y una humedad del aire del 90 % como máximo.



### NOTA

Consulte con el fabricante antes de someter esta nevera a condiciones de funcionamiento extremas.



### ¡ATENCIÓN! ¡Riesgo para la salud!

- Compruebe si la potencia de refrigeración del aparato cumple las exigencias de los alimentos o medicamentos que desea enfriar.
- Los alimentos sólo se pueden guardar en los envases originales o en recipientes adecuados.

## 5 Descripción técnica

Estas neveras pueden enfriar o mantener fríos productos en un rango de temperatura entre -2 °C y +12 °C.

La nevera está equipada con un dispositivo controlador de la batería, que apaga y enciende el compresor para proteger la batería y el compresor frente a posible daños. En el capítulo capítulo “Datos técnicos” en la página 59 se detallan los puntos de conexión y desconexión medidos en los bornes de conexión del compresor.

### 5.1 Elementos de mando

N.º en  
fig. 3,  
página 4

Explicación

1

Termostato

## 6 Montaje



### ¡AVISO!

- Preste atención de que el cable positivo se conecta al polo positivo y el cable negativo al polo negativo.
- A la hora de elegir el lugar de montaje, asegúrese de que el aire caliente que produce el licuefactor se evacúe correctamente.



### NOTA

- A fin de evitar pérdidas de tensión, y por lo tanto de potencia, el cable debería ser lo más corto posible y sin interrupciones. Por lo tanto, evite instalar interruptores adicionales, enchufes o cajas de distribución.
- Puede desmontar el compresor de la nevera y montarlo en otro lugar de la misma o incluso por separado (fig. **2**, página 3). Tenga en cuenta que el conducto de refrigerante mide 1,5 m (CD20)/1,5 m (CD30).

Para ello tenga en cuenta las siguientes indicaciones:

- Determine la sección necesaria del cable dependiendo de su longitud según fig. **6**, página 5.

Leyendas para fig. **6**, página 5

Eje de coordenadas	Significado	Unidad
l	Longitud del cable	m
∅	Sección del cable	mm <sup>2</sup>

Si es posible, conecte el aparato refrigerador directamente a los bornes de la batería o de lo contrario a una conexión de como mínimo 15 A (12 V); 7,5 A (24 V).

- Para fijar correctamente el refrigerador en el lugar de montaje, utilice los puntos de atornilladura dispuestos en los laterales del aparato (véase fig. **4**, página 4 y fig. **5**, página 4).

## 7 Manejo



### NOTA

Por razones de higiene, debería limpiar el nuevo aparato por dentro y por fuera con un paño húmedo antes de ponerlo en funcionamiento (véase también capítulo “Limpieza y mantenimiento” en la página 54).

### 7.1 Consejos para el ahorro de energía

- Elija un lugar de montaje correctamente ventilado y protegido de la radiación solar.
- Antes de introducir alimentos calientes, deje que se enfríen.
- Evite abrir la nevera más de lo necesario.
- No deje la nevera abierta más tiempo del que sea necesario.
- Descongele el refrigerador cuando se forme una capa de escarcha.
- Evite utilizar temperaturas bajas innecesarias.
- Elimine regularmente las impurezas del condensador (polvo, etc.).

### 7.2 Conexión de la nevera

- ▶ Abra el cajón de la nevera.
- ▶ Para conectar la nevera, gire la rueda del termostato (véase fig. **3** 1, página 4) en el sentido de las agujas del reloj.
- ✓ La nevera empezará a refrigerar el interior.



### NOTA

Asegúrese de que en la nevera solo hay objetos o productos que puedan enfriarse o calentarse a la temperatura seleccionada.

## 7.3 Selección de la temperatura

La rueda de selección del termostato (véase fig. **3** 1, página 4) indicará el rango de temperatura seleccionado.

Posición de la rueda de selección	Rango de temperatura (depende de la temperatura del entorno)	
	CD20	CD30
MAX	aprox. $-2^{\circ}\text{C}$ en el espacio interior	
MIN	aprox. $+12^{\circ}\text{C}$ en el espacio interior	

- Si desea seleccionar una temperatura para enfriar, gire la rueda de selección del termostato (véase fig. **3** 1, página 4) hasta alcanzar la temperatura deseada.

## 7.4 Desconexión de la nevera



### NOTA

Si no va a utilizar el aparato refrigerador durante un largo periodo de tiempo, límpielo y deje el cajón ligeramente abierto. De este modo evitará la aparición de olores desagradables.

- Abra el cajón de la nevera.
- Para desconectar la nevera, gire la rueda de selección del termostato (véase fig. **3** 1, página 4) a la posición "0".
- ✓ La nevera está desconectada.
- Si va a dejar sin funcionamiento la nevera, desconecte el cable de conexión de la batería.

## 7.5 Desconectar

Es posible que el vapor de la humedad del aire se deposite en forma de escarcha en el interior del refrigerador, disminuyendo de este modo la capacidad de enfriamiento. Por este motivo, descongele regularmente el aparato.



### ¡AVISO!

Jamás retire la capa de escarcha con un objeto duro o puntiagudo ya que de lo contrario podría dañar el recubrimiento sintético o el evaporador.

- Saque los productos del interior y, si fuese necesario, colóquelos en otro refrigerador para mantener la temperatura de éstos.
- Apague el refrigerador (véase capítulo “Desconexión de la nevera” en la página 53) y deje el cajón abierto.
- Seque el agua de condensación formada o, en caso de disponer, vacíe la bandeja colectora de agua de condensación.

## 8 Limpieza y mantenimiento



### ¡ADVERTENCIA!

Desconecte el aparato de la red antes de proceder con la limpieza o el mantenimiento del mismo.



### ¡AVISO! ¡Peligro de ocasionar daños materiales!

- Nunca limpie la nevera bajo el chorro de agua corriente ni inmersa en agua jabonosa.
- No emplee productos de limpieza corrosivos u objetos que puedan arañar o deteriorar el aparato durante su limpieza.

- Limpie de vez en cuando el interior y el exterior de la nevera con un paño húmedo.
- Asegúrese de que las aberturas de ventilación y desaireación del aparato están limpias de polvo para que se pueda evacuar el calor generado durante el funcionamiento y el aparato no resulte perjudicado.

## 9 Garantía legal

Rige el plazo de garantía legal. Si el producto presenta algún defecto, diríjase a la sucursal del fabricante de su país (ver direcciones en el dorso de estas instrucciones) o a su establecimiento especializado.

Para la tramitación de la reparación y de la garantía debe enviar también los siguientes documentos:

- una copia de la factura con fecha de compra,
- el motivo de la reclamación o una descripción de la avería.

## 10 Eliminación

► Deseche el material de embalaje en el contenedor de reciclaje correspondiente.



Cuando vaya a desechar definitivamente el producto, infórmese en el centro de reciclaje más cercano o en un comercio especializado sobre las normas pertinentes de eliminación de materiales.

# 11 Solución de averías



## ¡ADVERTENCIA!

Las reparaciones en el aparato solamente pueden ser realizadas por personal cualificado. Las reparaciones inadecuadas pueden dar lugar a situaciones de peligro considerable.

### El compresor no funciona

Síntoma	Causa posible	Solución
$U_{BR}=0$ Volt	Interrupción en la línea de conexión entre la batería y la electrónica	Establezca la conexión.
	El interruptor principal está averiado (si existe).	Cambie el interruptor principal.
	Se ha quemado el fusible adicional del cable (si existe).	Cambie el fusible del cable.
$U_{BR} \leq U_{CON}$	Tensión de la batería insuficiente	Cargue la batería.
En el intento de arranque: $U_{BR} \leq U_{DESC}$	Unión del cable suelta	Establezca la conexión.
	Contacto defectuoso (corrosión)	
	Capacidad de la batería insuficiente	Cambie la batería.
En el intento de arranque: $U_{BR} \geq U_{CON}$	Sección del cable insuficiente	Cambie el cable (fig. <b>6</b> , página 5).
	Temperatura ambiente demasiado alta	–
	Ventilación insuficiente	Cambie la ubicación de la nevera.
Interrupción eléctrica entre los pernos del compresor	Suciedad en el condensador	Limpie el condensador.
	Interrupción en la línea de conexión entre la batería y la electrónica	Establezca la conexión.

$U_{BR}$  Tensión entre el borne negativo y positivo del sistema electrónico

$U_{CON}$  Tensión de conexión del borne de conexión del sistema eléctrico véase capítulo "Descripción técnica" en la página 50)

$U_{DESC}$  Tensión de desconexión del borne de conexión del sistema eléctrico véase capítulo "Descripción técnica" en la página 50)



### Temperatura del interior demasiado baja para la posición "MIN" del termostato

Síntoma	Causa posible	Solución
El compresor funciona continuamente	El sensor del termostato no hace contacto con el evaporador	Apriete el sensor
	Cortocircuito en el cable del termostato	Reemplazar el termostato
	Termostato defectuoso	
El compresor permanece en funcionamiento demasiado tiempo	En el cajón del evaporador se ha congelado una gran cantidad	

### La capacidad de enfriamiento se reduce, aumenta la temperatura interior

Síntoma	Causa posible	Solución
El compresor permanece en funcionamiento demasiado tiempo/continuamente	El evaporador escarcha	Descongelar el evaporador
	El aislamiento interior no es suficiente (húmedo/mojado)	Reajustar/reemplazar la junta del cajón
	Temperatura del entorno demasiado alta	
	Ventilación insuficiente	Procure que la ventilación sea adecuada
	Suciedad en el condensador	Limpiar el condensador
El compresor funciona raramente	El ventilador está defectuoso (si existe)	Sustituir el ventilador
	Batería agotada	Cargar la batería


## Formación de ruidos

Síntoma	Causa posible	Solución
Fuerte zumbido	El componente del circuito de refrigeración no puede vibrar libremente (contacto con la pared).	Tuerza cuidadosamente el componente.
	Cuerpos extraños enganchados entre la nevera y la pared.	Retire el cuerpo extraño.
	Ruido del ventilador	–

## Interferencias televisivas o radiofónicas en el vehículo

Síntoma	Causa posible	Solución
Perturbación de la recepción durante el funcionamiento del compresor	Compresor averiado	Sólo un servicio de asistencia técnica autorizado puede realizar las reparaciones.

## 12 Datos técnicos

	CD20	CD30
Tensión de conexión:	12 V $\overline{\text{---}}$ /24 V $\overline{\text{---}}$	
Tensión de desconexión:	10,4 V a 12 V $\overline{\text{---}}$ 22,8 V a 24 V $\overline{\text{---}}$	
Tensión de conexión:	11,7 V a 12 V $\overline{\text{---}}$ 24,2 V a 24 V $\overline{\text{---}}$	
Corriente nominal:	12 V $\overline{\text{---}}$ : 3 A 24 V $\overline{\text{---}}$ : 1,5 A	
Potencia de refrigeración:	de -2 °C a +12 °C	
Capacidad útil:	20 l	30 l
Categoría de clima:	N	
Temperatura ambiente:	+16 °C hasta +32 °C	
Humedad del aire:	máx. 90 %	
Ángulo de escora constante:	máx. 30°	
Cantidad de refrigerante:	38 g	42 g
Equivalente a CO <sub>2</sub> :	0,054 t	0,060 t
Índice GWP:	1430	
Dimensiones:	fig. <b>1</b> , página 3	
Peso:	16,1 kg	18 kg
Inspección/certificados:		

El circuito de refrigeración contiene R134a.

Contiene gases de efecto invernadero fluorados

Aparato sellado herméticamente

**Por favor, leia atentamente este manual antes da colocação em funcionamento do aparelho e guarde-o em local seguro. Em caso de revenda do aparelho, entregue o manual ao novo comprador.**

O fabricante não se responsabiliza por danos resultantes de uma **utilização inadequada** ou de uma **operação incorrecta**.

## Índice

1	Explicação dos símbolos .....	61
2	Indicações de segurança .....	61
3	Material fornecido .....	63
4	Utilização adequada .....	64
5	Descrição técnica .....	64
6	Instalar a geleira .....	65
7	Operar a geleira .....	66
8	Limpeza e manutenção .....	68
9	Garantia .....	69
10	Eliminação .....	69
11	Eliminar falhas .....	69
12	Dados técnicos .....	72

# 1 Explicação dos símbolos

**PERIGO!**

**Indicação de segurança:** o incumprimento causa a morte ou ferimentos graves.

**AVISO!**

**Indicação de segurança:** o incumprimento pode provocar a morte ou ferimentos graves.

**PRECAUÇÃO!**

**Indicação de segurança:** o incumprimento pode provocar ferimentos.

**NOTA!**

O incumprimento pode causar danos materiais e pode prejudicar o funcionamento do produto.

**OBSERVAÇÃO**

Informações suplementares sobre a operação do produto.

## 2 Indicações de segurança

### 2.1 Segurança geral

**AVISO!**

- Quando o aparelho apresentar danos visíveis, ele não deve ser colocado em funcionamento.
- Quando o cabo de conexão for danificado, o mesmo tem de ser substituído pelo fabricante, pela sua assistência técnica ou por uma pessoa com qualificações equivalentes para evitar perigos.
- As reparações neste aparelho apenas devem ser realizadas por técnicos especializados. As reparações inadequadas podem provocar perigos substanciais.

- Este aparelho pode ser utilizado por crianças a partir dos 8 anos, assim como por pessoas com capacidades físicas, sensoriais ou mentais reduzidas e/ou com insuficiente experiência e conhecimento, quando supervisionadas ou quando tenham recebido informação acerca da utilização segura do aparelho e tenham compreendido os perigos dele resultantes.
- A limpeza e a manutenção por parte do utilizador não podem ser efetuadas por crianças sem supervisão.
- As crianças não podem brincar com o aparelho.
- As crianças devem ser supervisionadas para garantir que não brincam com o aparelho.
- Guarde e utilize o aparelho fora do alcance de crianças com idade inferior a 8 anos.
- Não guarde as substâncias com risco de explosão, como p.ex. latas de spray com gás carburante inflamável, no aparelho.

**PRECAUÇÃO!**

- Separe o aparelho da rede
  - antes de cada limpeza e conservação
  - após cada utilização
- Os géneros alimentícios apenas podem ser armazenados nas embalagens originais ou recipientes adequados.

**NOTA!**

- Compare a indicação da tensão na placa de características com a alimentação de energia existente.
- Ligue o aparelho apenas com o cabo de ligação DC à tomada de bordo DC (p. ex. isqueiro) no veículo.
- Nunca retire a ficha da tomada eléctrica puxando pelo cabo de conexão.
- Desconecte a sua geleira e outros consumidores da bateria antes de conectar um carregador rápido.
- Separe a ligação ou desligue a geleira se desligar o motor. Caso contrário, a bateria pode ficar descarregada.
- A geleira não é adequada para o transporte de substâncias corrosivas ou substâncias com solventes.

- Este aparelho contém ciclopentano inflamável no isolamento. Os gases no material de isolamento requerem um processo de eliminação especial. No final da sua vida útil, entregue o aparelho num ponto de eliminação apropriado.

## 2.2 Segurança durante a utilização do aparelho



### PRECAUÇÃO!

- Antes da colocação em funcionamento, tenha atenção para que o cabo de conexão e a ficha estejam secos.



### NOTA!

- Não utilize aparelhos eléctricos dentro da geleira, excepto se estes aparelhos tiverem sido recomendados pelo fabricante.
- Não coloque o aparelho na proximidade de chamas abertas ou outras fontes de calor (aquecimento, radiação solar intensa, fogões a gás, etc.).
- **Perigo de sobreaquecimento!**  
Tenha sempre atenção para que o calor gerado durante o funcionamento possa ser dissipado adequadamente. Certifique-se de que o aparelho está posicionado com uma distância suficiente em relação a paredes ou objectos de modo a que o ar possa circular livremente.
- Tenha atenção para que as aberturas de ventilação não sejam cobertas.
- Não verta líquidos ou gelo para dentro do recipiente interior.
- Nunca mergulhe o aparelho em água.
- Proteja o aparelho e os cabos do calor e da humidade.
- Para o funcionamento num camião:  
Esvazie a geleira e desligue o aparelho (ver capítulo “Desligar a geleira” na página 67) antes de inclinar a cabina.

## 3 Material fornecido

Quant.	Designação
1	Geleira de gaveta
4	Suporte de fixação
1	Manual de instalação e de instruções

## 4 Utilização adequada

As geleiras com gaveta CD 20 e CD 30 são adequadas para utilização móvel em camiões, barcos ou caravanas e foram concebidas para uma inclinação constante de, no máximo, 30°.

É assegurada uma potência de refrigeração ideal com temperaturas ambiente entre +16 °C e +32 °C, assim como uma humidade do ar máxima de 90 %.



### OBSERVAÇÃO

Antes de expor o aparelho de refrigeração a esforços extremos, deverá entrar em contato com o fabricante.



### PRECAUÇÃO! Risco para a saúde!

- Por favor, verifique se a potência de refrigeração do aparelho cumpre os requisitos dos géneros alimentícios ou dos medicamentos que pretende refrigerar.
- Os alimentos apenas podem ser armazenados nas embalagens originais ou recipientes adequados.

## 5 Descrição técnica

Estas geleiras têm capacidade para refrigerar e manter frios produtos num intervalo de temperatura entre -2 °C e +12 °C.

A geleira está equipada com um monitorizador da bateria que desliga e liga novamente o compressor, protegendo assim a bateria e o compressor contra danos. Os pontos de ligação e desligamento, medidos nos terminais de conexão do compressor, são apresentados em capítulo “Dados técnicos” na página 72.

### 5.1 Elementos de comando

N.º na  
fig. 3,  
página 4

Explicação

1

Termóstato



## 6 Instalar a geleira



### NOTA!

- Certifique-se de que o cabo positivo está conectado ao polo positivo e que o cabo negativo está conectado ao polo negativo.
- Ao selecionar o local de instalação, garanta que o ar aquecido do condensador pode ser extraído adequadamente.



### OBSERVAÇÃO

- Para evitar perdas de tensão e, assim, de potência, o cabo deve ser o mais curto possível e não deve ser interrompido. Evite por isso interruptores, fichas ou distribuidores adicionais.
- É possível desmontar o compressor do aparelho de refrigeração e instalá-lo noutra local do aparelho ou em separado (fig. **2**, página 3). Preste atenção ao comprimento do tubo de líquido de refrigeração de 1,5 m (CD20)/1,5 m (CD30).

Tome em consideração as seguintes indicações:

- Determine a secção transversal necessária do cabo dependendo do comprimento do cabo de acordo com a fig. **6**, página 5.

Legenda da fig. **6**, página 5

Eixo de coordenadas	Significado	Unidade
l	Comprimento do cabo	m
∅	Corte transversal do cabo	mm <sup>2</sup>

Ligue a geleira o mais diretamente possível aos polos da bateria ou a uma tomada com proteção de pelo menos 15 A (12 V)/7,5 A (24 V).

- Para a fixação através de parafusos do aparelho de refrigeração no local de instalação, utilize os pontos de aparafusamento na lateral do aparelho (fig. **4**, página 4 e fig. **5**, página 4).

## 7 Operar a geleira



### OBSERVAÇÃO

Por motivos de higiene, antes de colocar o novo aparelho de refrigeração em funcionamento, deve limpar o seu interior e exterior com um pano húmido (ver também capítulo “Limpeza e manutenção” na página 68).

### 7.1 Dicas para poupar energia

- Escolha um local de utilização bem arejado e protegido de raios solares.
- Primeiro, deixe as refeições quentes arrefecer antes de as manter frescas.
- Não abra a geleira mais do que as vezes necessárias.
- Não deixe a geleira aberta mais tempo do que o necessário.
- Descongele o aparelho de refrigeração logo que se formar uma camada de gelo.
- Evite uma temperatura interior desnecessariamente baixa!
- Limpe regularmente o condensador (elimine o pó, etc.).

### 7.2 Ligar a geleira

- ▶ Abra a gaveta da geleira.
- ▶ Para ligar a geleira, rode o botão do termóstato (fig. **3** 1, página 4) para a direita.
- ✓ A geleira inicia a refrigeração do interior.



### OBSERVAÇÃO

Tenha atenção para que apenas se encontrem objetos ou produtos na geleira que possam ser refrigerados ou aquecidos para a temperatura selecionada.

## 7.3 Selecionar a temperatura

O botão de comutação no termóstato (fig. **3** 1, página 4) indica o intervalo de temperatura selecionado.

Posição do botão de comutação	Intervalo de temperatura (dependente da temperatura ambiente)	
	CD20	CD30
MAX	aprox. -2 °C no interior	
MIN	aprox. +12 °C no interior	

- Se pretender selecionar a temperatura de refrigeração, rode o botão de comutação no termóstato (fig. **3** 1, página 4) até alcançar o intervalo de temperatura desejado.

## 7.4 Desligar a geleira



### OBSERVAÇÃO

Se deixar o aparelho de refrigeração desligado durante muito tempo, limpe-o e deixe a gaveta ligeiramente aberta. Assim, impede o desenvolvimento de cheiros desagradáveis.

- Abra a gaveta da geleira.
- Para desligar a geleira, rode o botão do termóstato (fig. **3** 1, página 4) para a posição "0".
- ✓ A geleira está desligada.
- Quando colocar a geleira fora de funcionamento, retire o cabo de conexão da bateria.

## 7.5 Descongelar a geleira

A humidade do ar pode formar gelo no interior do aparelho de refrigeração, o que reduz a capacidade de arrefecimento. Descongele, nesse caso, o aparelho atempadamente.

**NOTA!**

Nunca remova a camada de gelo com ferramentas duras ou pontiagudas que possam danificar o plástico ou o vaporizador.

- Retire os produtos refrigerados e guarde-os num outro aparelho de refrigeração para que permaneçam frios.
- Desligue o aparelho de refrigeração (ver capítulo “Desligar a geleira” na página 67) e deixe a gaveta aberta.
- Limpe a água de condensação que se tenha formado ou esvazie a bandeja coletora (se existente).

## 8 Limpeza e manutenção

**AVISO!**

Antes de cada limpeza e conservação, separe o aparelho da rede.

**NOTA! Perigo de danos!**

- Nunca limpe a geleira debaixo de água corrente nem dentro de água de lavar a loiça.
- Não utilize produtos de limpeza abrasivos ou objectos duros para a limpeza, uma vez que podem danificar a geleira.

- De vez em quando, limpe o interior e o exterior do aparelho com um pano húmido.
- Certifique-se que as aberturas de ventilação e extracção de ar do aparelho estão livres de pó e sujidade para que, durante o funcionamento, o ar quente possa ser extraído e o aparelho não seja danificado.

## 9 Garantia

É válido o prazo de garantia legal. Se o produto estiver com defeito, por favor, dirija-se à representação do fabricante no seu país (endereços, ver verso do manual) ou ao seu revendedor.

Para fins de reparação ou de garantia, terá de enviar os seguintes documentos em conjunto:

- uma cópia da factura com a data de aquisição,
- um motivo de reclamação ou uma descrição da falha.

## 10 Eliminação

- Sempre que possível, coloque o material de embalagem no respectivo contentor de reciclagem.



Para colocar o aparelho definitivamente fora de funcionamento, por favor, informe-se junto do centro de reciclagem mais próximo ou revendedor sobre as disposições de eliminação aplicáveis.

## 11 Eliminar falhas



### AVISO!

As reparações neste aparelho apenas devem ser realizadas por técnicos especializados. As reparações inadequadas podem levar a perigos graves.

### O compressor não funciona

Falha	Possível causa	Solução
$U_{BR} = 0V$	Interrupção no cabo de ligação bateria – sistema eletrónico	Estabelecer a ligação
	Interruptor principal com avaria (caso exista)	Substituir o interruptor principal
	Fusíveis adicionais queimados (caso exista)	Substituir os fusíveis de linha
$U_{BR} \leq U_{Lig}$	Tensão da bateria muito baixa	Carregue a bateria

Falha	Possível causa	Solução
Tentativa de arranque com $U_{BR} \leq U_{Deslig}$	Ligação de cabos solta Mau contacto (corrosão)	Estabelecer a ligação
	Capacidade da bateria muito baixa	Substituir a bateria
	Corte transversal do cabo muito baixo	Substituir o cabo (fig. 6, página 5)
Tentativa de arranque com $U_{BR} \geq U_{Lig}$	Temperatura ambiente muito elevada	–
	Ventilação e exaustão de ar insuficientes	Mudar o lugar de instalação do frigorífico
	O condensador está sujo	Limpar o condensador
Interrupção elétrica no compressor entre os pinos	O compressor está com defeito	Isto pode apenas ser reparado por uma unidade de assistência ao cliente autorizada.

$U_{BR}$  Tensão entre os bornes positivo e negativo do sistema eletrónico

$U_{Lig}$  Tensão de ligação do borne de ligação do sistema eletrónico (ver capítulo “Descrição técnica” na página 64)

$U_{Deslig}$  Tensão de desligamento do borne de ligação do sistema eletrónico (ver capítulo “Descrição técnica” na página 64)

### Temperatura interior muito baixa na posição “MIN” do termóstato

Falha	Possível causa	Solução
O compressor está sempre a funcionar	O sensor do termóstato não está em contacto com o vaporizador	Fixar o sensor
	Curto-circuito no condutor do termóstato	Substituir o termóstato
	O termóstato está avariado	–
O compressor está a funcionar há muito tempo	No congelador foi colocada uma quantidade excessiva a congelar	–

## A capacidade de refrigeração diminui, a temperatura interior sobe

Falha	Possível causa	Solução
O compressor está a funcionar há muito tempo/permanentemente	Vaporizador congelado	Descongelar vaporizador
	Isolamento do espaço de refrigeração insuficiente.(húmido/molhado)	Reajustar/substituir a vedação da gaveta
	Temperatura ambiente muito elevada	–
	Ventilação e exaustão de ar insuficientes	Mudar o lugar de instalação do frigorífico
	O condensador está sujo	Limpar o condensador
	O ventilador está avariado	Substituir o ventilador
O compressor funciona raramente	A capacidade da bateria está esgotada	Carregue a bateria


## Ruídos não habituais

Falha	Possível causa	Solução
Ruído elevado	O componente do circuito de refrigeração não balança (está preso ao painel)	Virar o componente com cuidado
	Objeto estranho entalado entre a máquina de refrigeração e a parede	Retirar o objeto estranho
	Ruído do ventilador	–

## Interferências no rádio ou na televisão do veículo

Falha	Possível causa	Solução
Interferências na receção durante o funcionamento do compressor	A ligação eletrónica do aparelho de refrigeração não está conectada diretamente à bateria	Ligue a geleira o mais diretamente possível aos polos da bateria.

## 12 Dados técnicos

	CD20	CD30
Tensão de conexão:	12 V $\overline{=}$ /24 V $\overline{=}$	
Tensão de desconexão:	10,4 V em 12 V $\overline{=}$ 22,8 V em 24 V $\overline{=}$	
Tensão de ligação:	11,7 V em 12 V $\overline{=}$ 24,2 V em 24 V $\overline{=}$	
Corrente nominal:	12 V $\overline{=}$ : 3 A 24 V $\overline{=}$ : 1,5 A	
Potência de refrigeração:	-2 °C a +12 °C	
Volume útil:	20 l	30 l
Classe climática:	N	
Temperatura ambiente:	+16 °C a +32 °C	
Humidade do ar:	máx. 90 %	
Inclinação constante:	máx. 30°	
Quantidade do agente de refrigeração:	38 g	42 g
Equivalente a CO <sub>2</sub> :	0,054 t	0,060 t
Potencial de aquecimento global (GWP):	1430	
Dimensões:	fig. <b>1</b> , página 3	
Peso:	16,1 kg	18 kg
Verificação/Certificados:		

O circuito de refrigeração contém R134a.

Contém gases fluorados com efeito de estufa

Equipamento hermeticamente fechado



**Prima di effettuare la messa in funzione leggere accuratamente questo manuale di istruzioni, conservarlo e, in caso di trasmissione dell'apparecchio consegnarlo all'utente successivo.**

Il produttore declina ogni responsabilità per danni risultanti da un **uso non conforme alla destinazione** o **da un impiego scorretto**.

## Indice

1	Spiegazione dei simboli . . . . .	74
2	Indicazioni di sicurezza . . . . .	74
3	Dotazione . . . . .	76
4	Uso conforme alla destinazione . . . . .	77
5	Descrizione tecnica. . . . .	77
6	Installazione. . . . .	78
7	Impiego . . . . .	79
8	Pulizia e cura . . . . .	81
9	Garanzia . . . . .	82
10	Smaltimento . . . . .	82
11	Eliminazione dei disturbi. . . . .	83
12	Specifiche tecniche. . . . .	86

# 1 Spiegazione dei simboli

**PERICOLO!**

**Avviso di sicurezza:** la mancata osservanza di questo avviso comporta ferite gravi anche mortali.

**AVVERTENZA!**

Avviso di sicurezza: la mancata osservanza di questo avviso può causare ferite gravi anche mortali.

**ATTENZIONE!**

**Avviso di sicurezza:** la mancata osservanza di questo avviso può essere causa di lesioni.

**AVVISO!**

La mancata osservanza di questa nota può causare danni materiali e compromettere il funzionamento del prodotto.

**NOTA**

Informazioni integranti relative all'impiego del prodotto.

## 2 Indicazioni di sicurezza

### 2.1 Sicurezza generale

**AVVERTENZA!**

- Se l'apparecchio presenta danni visibili, non metterlo in funzione.
- Se il cavo di allacciamento di questo apparecchio viene danneggiato, esso deve essere sostituito dal produttore, da parte del suo servizio clienti, oppure da una persona sufficientemente qualificata, al fine di evitare pericoli.
- Questo apparecchio deve essere riparato solo da personale specializzato. Le riparazioni effettuate in modo scorretto potrebbero causare rischi enormi.

- Il presente apparecchio può essere usato da bambini a partire dagli 8 anni e da utenti con ridotte capacità fisiche, sensoriali o mentali o inesperti e/o con conoscenze insufficienti, se non sono lasciati soli o se sono stati istruiti sull'utilizzo sicuro dell'apparecchio e hanno compreso i pericoli che possono insorgere.
- La pulizia e la manutenzione da parte dell'utente non possono essere compiute da bambini lasciati soli.
- I bambini non possono giocare con l'apparecchio.
- Sorvegliare i bambini per evitare che giochino con l'apparecchio.
- Conservare e utilizzare l'apparecchio lontano dalla portata dei bambini al di sotto degli 8 anni.
- Nell'apparecchio non conservare sostanze esplosive come ad es. bombolette spray con gas propellente infiammabile.

**ATTENZIONE!**

- Staccare l'apparecchio dalla rete
  - prima di effettuare la pulizia e la cura
  - dopo ogni utilizzo
- I prodotti alimentari possono essere conservati solo nelle confezioni originali o in contenitori adeguati.

**AVVISO!**

- Confrontare i dati della tensione riportati sulla targhetta con quelli delle prese e degli attacchi disponibili.
- Collegare l'apparecchio solo con il cavo di allacciamento CC alla spina CC del veicolo (ad es. accendisigari).
- Non estrarre mai la spina dalla presa tirando il cavo di allacciamento.
- Staccare il frigorifero e le altre utenze dalla batteria prima di collegare il caricabatterie rapido.
- Interrompere il collegamento o spegnere il frigorifero se il motore viene spento. Altrimenti la batteria si può scaricare.
- Il frigorifero non è adatto per il trasporto di sostanze corrosive o solventi.
- Questo frigorifero contiene nell'isolamento ciclopentano infiammabile. I gas contenuti nel materiale di isolamento richiedono un processo di smaltimento particolare. Al termine della sua vita utile, smaltire l'apparecchio in modo conforme.

## 2.2 Sicurezza durante il funzionamento dell'apparecchio



### ATTENZIONE!

- Prima della messa in funzione assicurarsi che la linea di alimentazione e la spina siano asciutte.



### AVVISO!

- Non utilizzare apparecchi elettrici all'interno del frigorifero ad eccezione di quelli consigliati dallo stesso produttore.
- Non collocare l'apparecchio nelle vicinanze di fiamme libere o altre fonti di calore (riscaldamento, intensa esposizione ai raggi solari, forni a gas ecc.).
- **Pericolo di surriscaldamento!**  
Assicurarsi che il calore generato durante il funzionamento sfugga sufficientemente. Assicurarsi che la distanza fra l'apparecchio e le pareti o altri oggetti sia tale che l'aria possa circolare liberamente.
- Fare attenzione che le feritoie di aerazione non vengano coperte.
- Non versare nessun tipo di liquido o ghiaccio nel contenitore interno.
- Non immergere mai l'apparecchio in acqua.
- Proteggere l'apparecchio e i cavi dal caldo e dall'umidità.
- Per il funzionamento nell'autocarro:  
svuotare il frigorifero e spegnere l'apparecchio (vedi capitolo "Come spegnere il frigorifero" a pagina 80), prima di inclinare la cabina di guida.

## 3 Dotazione

Quantità	Denominazione
1	Frigorifero a cassetto
4	Angolo di fissaggio
1	Istruzioni per l'uso

## 4 Uso conforme alla destinazione

I frigoriferi a cassetto CD20 e CD30 sono idonei per l'utilizzo in autocarri, imbarcazioni o caravan e sono studiati per uno sbandamento continuo di massimo 30°.

Un raffreddamento ottimale è garantito con temperature ambiente tra i +16 °C e i +32 °C e un'umidità massima del 90 %.



### NOTA

Prima di sottoporre l'apparecchio a sollecitazioni estremamente elevate, mettersi in contatto con il produttore.



### ATTENZIONE! Pericolo per la salute!

- Controllare che la capacità di raffreddamento dell'apparecchio sia conforme ai requisiti degli alimenti o medicinali che si desidera raffreddare.
- I prodotti alimentari possono essere conservati solo nelle confezioni originali o in contenitori adeguati.

## 5 Descrizione tecnica

Essi raffreddano e conservano prodotti in una temperatura d'esercizio da -2 °C a +12 °C.

Il frigorifero è dotato di un dispositivo di controllo automatico della batteria che disinserisce e reinserisce il compressore proteggendo in questo modo la batteria e il compressore da eventuali danni. I punti di inserimento e disinserimento, misurati sui morsetti del compressore sono elencati nel capitolo "Specifiche tecniche" a pagina 86.

### 5.1 Elementi di comando

**N. in fig. 3,**  
**pagina 4**      **Spiegazione**

1      Termostato

## 6 Installazione



### AVVISO!

- Fare attenzione che il cavo positivo sia collegato al polo positivo e che il cavo negativo sia collegato al polo negativo.
- Nel scegliere il luogo di installazione assicurarsi che l'aria calda prodotta dal condensatore possa circolare abbondantemente.



### NOTA

- Per evitare perdite di tensione e quindi perdite di potenza, la canaletta per cavi dovrebbe essere più corta possibile e non essere interrotta. Evitare perciò interruttori extra, prese e scatole di derivazione.
- È possibile smontare il compressore dal frigorifero e montarlo in un altro punto sul frigorifero o in sede separata (fig. **2**, pagina 3). Assicurarsi però che la lunghezza della tubazione del liquido di raffreddamento sia 1,5 m (CD 20)/1,5 m (CD 30).

Osservare le seguenti indicazioni:

- Stabilire la sezione necessaria del cavo in funzione della sua lunghezza, come da fig. **6**, pagina 5.

Legenda per fig. **6**, pagina 5

Assi coordinati	Significato	Unità
l	Lunghezza del cavo	m
∅	Sezione cavo	mm <sup>2</sup>

Collegare il frigorifero il più direttamente possibile ai poli della batteria oppure ad uno slot con una protezione minima di 15 A (12 V); 7,5 A (24 V).

- Per fissare il frigorifero nel luogo di installazione utilizzare i punti di avvvitamento disposti sui lati dell'apparecchio (vedi fig. **4**, pagina 4 e fig. **5**, pagina 4).

## 7 Impiego



### NOTA

Per motivi igienici, prima della messa in funzione iniziale del frigorifero, pulirne l'interno e l'esterno con un panno umido (vedi anche capitolo "Pulizia e cura" a pagina 81).

### 7.1 Suggerimenti per risparmiare energia

- Scegliere un luogo di impiego ben aerato e riparato dai raggi solari.
- Prima di immagazzinare cibi caldi nell'apparecchio, lasciarli prima raffreddare.
- Non aprire il frigorifero più spesso del necessario.
- Non lasciare il frigorifero aperto più del necessario.
- Sbrinare il frigorifero appena si è formato uno strato di ghiaccio.
- Evitare un abbassamento eccessivo della temperatura interna se non necessario.
- Ad intervalli regolari eliminare dal condensatore eventuali impurità (polvere ecc.).

### 7.2 Come accendere il frigorifero

- Aprire il cassetto del frigorifero.
  - Per accendere il frigorifero, girare la manopola del termostato in senso orario (vedi fig. **3** 1, pagina 4).
- ✓ Lo spazio interno del frigorifero inizia a raffreddarsi.



### NOTA

Assicurarsi che nel frigorifero si trovino solo oggetti o prodotti che devono essere raffreddati o riscaldati alla temperatura selezionata.

## 7.3 Selezione della temperatura

Il bottone di comando localizzato sul termostato (fig. **3** 1, pagina 4) indica l'intervallo di variazione della temperatura selezionata.

Posizione del bottone di comando	Intervallo di variazione della temperatura (a seconda della temperatura ambiente)	
	CD20	CD30
MAX	ca -2 °C all'interno	
MIN	ca +12 °C all'interno	

- Se si vuole selezionare la temperatura di raffreddamento, girare il bottone di comando del termostato (vedi fig. **3** 1, pagina 4), finché non è stato raggiunto l'intervallo di variazione della temperatura desiderata.

## 7.4 Come spegnere il frigorifero



### NOTA

Qualora si voglia lasciare spento il frigorifero per un periodo prolungato, pulirlo e lasciare il cassetto leggermente aperto. In questo modo si evita la formazione di odori sgradevoli.

- Aprire il cassetto del frigorifero.
- Per spegnere il frigorifero, portare la manopola del termostato (vedi fig. **3** 1, pagina 4) su "0".
- ✓ Il frigorifero è spento.
- Quando il frigorifero viene spento per un periodo lungo, staccare il cavo di allacciamento dalla batteria.



## 7.5 Sbrinamento

L'umidità dell'aria all'interno del frigorifero può condensarsi formando brina la quale diminuisce la potenza frigorifera. Sbrinare perciò l'apparecchio tempestivamente.



### AVVISO!

Non rimuovere mai lo strato di ghiaccio con utensili ruvidi o acuminati che potrebbero danneggiare il materiale plastico oppure l'evaporatore.

- Togliere i prodotti dal frigorifero e immagazzinarli eventualmente in un'altro frigorifero in modo che si mantengano freddi.
- Spegnerne il frigorifero (vedi capitolo "Come spegnere il frigorifero" a pagina 80) e lasciare il cassetto aperto.
- Asciugare la condensa o – se presente – svuotare la bacinella di raccolta.

## 8 Pulizia e cura



### AVVERTENZA!

Staccare l'apparecchio dalla rete ogni volta che si effettua la pulizia e la cura.



### AVVISO! Pericolo di danni!

- Non lavare mai il frigorifero sotto acqua corrente e non immergerlo in acqua per risciaccarlo.
- Per la pulizia non impiegare detergenti corrosivi oppure oggetti ruvidi, perché potrebbero danneggiare il frigorifero.

- Pulire l'interno e l'esterno dell'apparecchio di tanto in tanto con un panno umido.
- Assicurarsi che le aperture di aerazione e disaerazione dell'apparecchio siano prive di polvere e sporizia in modo da permettere, al calore generato durante il funzionamento, di fuoriuscire e non danneggiare l'apparecchio.

## 9 Garanzia

Vale il termine di garanzia previsto dalla legge. Qualora il prodotto risultasse difettoso, La preghiamo di rivolgersi alla filiale del produttore del suo Paese (l'indirizzo si trova sul retro del manuale di istruzioni), oppure al rivenditore specializzato di riferimento.

Per la riparazione e per il disbrigo delle condizioni di garanzia è necessario inviare la seguente documentazione:

- una copia della fattura con la data di acquisto del prodotto,
- un motivo su cui fondare il reclamo, oppure una descrizione del guasto.

## 10 Smaltimento

- Raccogliere il materiale di imballaggio possibilmente negli appositi contenitori di riciclaggio.



Quando il prodotto viene messo fuori servizio definitivamente, informarsi al centro di riciclaggio più vicino, oppure presso il proprio rivenditore specializzato, sulle prescrizioni adeguate concernenti lo smaltimento.

# 11 Eliminazione dei disturbi



## AVVERTENZA!

L'apparecchio deve essere riparato solo da personale specializzato. Riparazioni effettuate non correttamente possono comportare rischi enormi.

### Il compressore non gira

Caratteristica	Possibile causa	Rimedio
$U_{MO} = 0$ Volt	Interruzione nella linea di allacciamento batteria – sistema elettronico	Eseguire il collegamento
	Interruttore principale guasto (se disponibile)	Sostituire l'interruttore principale
	Protezione supplementare della linea saltata (se disponibile)	Sostituire la protezione della linea
$U_{MO} \leq U_{ON}$	Tensione batteria insufficiente	Caricare la batteria
Durante il tentativo di avviamento: $U_{MO} \leq U_{OFF}$	Collegamento cavi allentato Cattivo contatto (corrosione)	Eseguire il collegamento
	Capacità batteria insufficiente	Sostituire la batteria
	Sezione cavo insufficiente	Sostituire il cavo (fig. <b>6</b> , pagina 5)
Durante il tentativo di avviamento: $U_{MO} \geq U_{ON}$	Temperatura ambiente eccessiva	–
	Aerazione e disaerazione insufficienti	Spostare il frigorifero
	Condensatore sporco	Pulire il condensatore
Interruzione elettrica nel compressore fra le spine	Compressore difettoso	I lavori di riparazione devono essere effettuati solo da un Punto Assistenza Clienti autorizzato.

- $U_{MO}$  Tensione fra il morsetto positivo e il morsetto negativo del sistema elettronico
- $U_{ON}$  Per tensione di accensione morsetto del sistema elettronico (vedi capitolo "Descrizione tecnica" a pagina 77)
- $U_{OFF}$  Per tensione di interruzione morsetto del sistema elettronico (vedi capitolo "Descrizione tecnica" a pagina 77)

### Temperatura interna troppo fredda nella posizione termostato "MIN"

Caratteristica	Possibile causa	Rimedio
Il compressore gira ininterrottamente	Il sensore del termostato non è in contatto con l'evaporatore	Fissare il sensore
	Cortocircuito nella linea del termostato	Sostituire il termostato
	Termostato difettoso	
Il compressore gira da molto tempo	Nello scomparto dell'evaporatore è stata congelata una quantità elevata	

### La potenza frigorifera si riduce, la temperatura interna aumenta

Caratteristica	Possibile causa	Rimedio
Il compressore gira da molto tempo/ininterrottamente	L'evaporatore è ghiacciato	Scongelare l'evaporatore
	Isolamento cella frigorifera insufficiente (umido/bagnato)	Regolare/sostituire la guarnizione del cassetto
	Temperatura ambiente eccessiva	
	Aerazione e disaerazione insufficienti	Provvedere ad una sufficiente aerazione
	Condensatore sporco	Pulire il condensatore
	Ventola difettosa (se disponibile)	Sostituire la ventola
Il compressore gira di rado	Capacità batteria esaurita	Ricaricare la batteria


**Rumori insoliti**

<b>Caratteristica</b>	<b>Possibile causa</b>	<b>Rimedio</b>
Forte ronzio	L'elemento costruttivo del ciclo frigorifero non può oscillare liberamente (dipende dalla parete)	Piegare con cautela l'elemento costruttivo
	Presenza di corpi estranei bloccati fra refrigeratore e parete	Eliminare i corpi estranei
	Rumore della ventola	–

**Radiodisturbi o interferenze televisive nel veicolo**

<b>Caratteristica</b>	<b>Possibile causa</b>	<b>Rimedio</b>
Disturbi di ricezione mentre il compressore gira	L'allacciamento del sistema elettronico del frigorifero non è direttamente collegato alla batteria	Collegare il frigorifero il più direttamente possibile ai poli della batteria

## 12 Specifiche tecniche

	CD20	CD30
Tensione di allacciamento:	12 V $\equiv$ /24 V $\equiv$	
Tensione di interruzione:	10,4 V a 12 V $\equiv$ 22,8 V a 24 V $\equiv$	
Tensione di accensione:	11,7 V a 12 V $\equiv$ 24,2 V a 24 V $\equiv$	
Corrente nominale:	12 V $\equiv$ : 3 A 24 V $\equiv$ : 1,5 A	
Capacità di raffreddamento:	da -2 °C a +12 °C	
Volume utile:	20 l	30 l
Classe climatica:	N	
Temperatura ambiente:	+16 °C a +32 °C	
Umidità dell'aria:	max 90 %	
Sbandamento continuo:	max 30°	
Quantità di refrigerante:	38 g	42 g
Equivalenti CO <sub>2</sub> :	0,054 t	0,060 t
Potenziale di riscaldamento globale (GWP):	1430	
Dimensioni:	fig. <b>1</b> , pagina 3	
Peso:	16,1 kg	18 kg
Certificati di controllo:		

Il circuito di raffreddamento contiene R134a.

Contiene gas fluorurati a effetto serra

Apparecchiature ermeticamente sigillate

**Lees deze handleiding voor de ingebruikname zorgvuldig door en bewaar deze. Geef de handleiding bij doorgeven van het toestel door aan de gebruiker.**

De fabrikant kan niet aansprakelijk worden gesteld voor schade die door **gebruik tegen de voorschriften in** of door **verkeerde bediening** wordt veroorzaakt.

## Inhoudsopgave

1	Verklaring van de symbolen . . . . .	88
2	Veiligheidsinstructies . . . . .	88
3	Omvang van de levering . . . . .	90
4	Gebruik volgens de voorschriften . . . . .	91
5	Technische beschrijving . . . . .	91
6	Inbouw. . . . .	92
7	Bediening . . . . .	93
8	Reiniging en onderhoud. . . . .	95
9	Garantie . . . . .	96
10	Afvoer . . . . .	96
11	Verhelpen van storingen. . . . .	96
12	Technische gegevens . . . . .	99

# 1 Verklaring van de symbolen

**GEVAAR!**

**Veiligheidsaanwijzing:** Het niet naleven leidt tot overlijden of ernstig letsel.

**WAARSCHUWING!**

**Veiligheidsaanwijzing:** Het niet naleven kan leiden tot overlijden of ernstig letsel.

**VOORZICHTIG!**

**Veiligheidsaanwijzing:** Het niet naleven kan leiden tot letsel.

**LET OP!**

Het niet naleven ervan kan leiden tot materiële schade en de werking van het product beperken.

**INSTRUCTIE**

Aanvullende informatie voor het bedienen van het product.

## 2 Veiligheidsinstructies

### 2.1 Algemene veiligheid

**WAARSCHUWING!**

- Als het toestel zichtbaar beschadigd is, mag het niet in gebruik worden genomen.
- Als de aansluitkabel van dit toestel wordt beschadigd, moet deze, om gevaren te vermijden, door de fabrikant, diens klantenservice of een gelijkwaardig gekwalificeerd persoon vervangen worden.
- Reparaties aan dit toestel mogen uitsluitend door vakmonteurs uitgevoerd worden. Door ondeskundige reparaties kunnen grote gevaren ontstaan.



- Dit toestel kan door kinderen vanaf 8 jaar en ouder evenals door personen met verminderde fysieke, zintuiglijke of geestelijke vermogens of tekortschietende ervaring en/of kennis gebruikt worden, als ze worden begeleid of hun is uitgelegd hoe ze het toestel veilig kunnen gebruiken. Ook dienen ze inzicht te hebben in de gevaren die het gebruik van het toestel met zich meebrengt.
- Reiniging en gebruikersonderhoud mogen niet door kinderen zonder begeleiding worden uitgevoerd.
- Kinderen mogen niet met het toestel spelen.
- Er moet toezicht worden gehouden op kinderen, zodat ze niet met toestel gaan spelen.
- Bewaar en gebruik het toestel buiten het bereik van kinderen onder 8 jaar.
- Bewaar geen explosiegevaarlijke stoffen, zoals spuitbussen met brandbaar drijfgas, in het toestel.

**VOORZICHTIG!**

- Scheid het toestel van het net
  - voor iedere reiniging en ieder onderhoud
  - na elk gebruik
- Levensmiddelen mogen alleen in de originele verpakkingen of geschikte bakken worden opgeslagen.

**LET OP!**

- Vergelijk de spanning op het typeplaatje met de voorhanden energievoorziening.
- Sluit het toestel alleen met de DC-aansluitkabel op een DC-stopcontact in het voertuig (bijv. sigarettenaansteker) aan.
- Trek de stekker nooit aan de aansluitkabel uit het stopcontact.
- Klem uw koeltoestel en andere verbruikers van de accu af voor u een snellader aansluit.
- Verbreek de verbinding of schakel het koeltoestel uit, als u de motor uitschakelt. Anders kan de accu worden ontladen.
- Het koeltoestel is niet geschikt voor het transport van bijtende of oplosmiddelhoudende stoffen.
- Deze koeltoestel bevat in de isolering brandbaar cyclopentaan. De gassen in het isoleringsmateriaal vereisen een bijzonder afvoerproces. Voer het apparaat aan het einde van zijn levensduur af volgens de voorschriften.

## 2.2 Veiligheid bij het gebruik van het toestel



### VOORZICHTIG!

- Let er voor de ingebruikneming op dat de voedingskabel en de stekker droog zijn.



### LET OP!

- Gebruik geen elektrische toestellen binnen de koeltoestel, behalve als deze toestellen daarvoor door de fabrikant worden aanbevolen.
- Zet het toestel niet in de buurt van open vlammen of andere warmtebronnen (verwarming, sterke zonnestraling, gasovens enz.).
- **Oververhittingsgevaar!**  
Let er altijd op dat de warmte, die bij het bedrijf ontstaat, goed afgevoerd kan worden. Zorg ervoor, dat het toestel op voldoende afstand tot wanden en voorwerpen staat, zodat de lucht kan circuleren.
- Let erop dat de ventilatiesleuven niet worden afgedekt.
- Doe geen vloeistoffen of ijs in het binnenreservoir.
- Dompel het toestel nooit onder water.
- Bescherm het toestel en de kabels tegen hitte en vocht.
- Voor het gebruik in de vrachtwagen:  
Leeg de koelbox en schakel het toestel uit (zie hoofdstuk „Koelbox uitschakelen“ op pagina 94), voor de bestuurderscabine gekipt wordt.

## 3 Omvang van de levering

Aantal	Omschrijving
1	Ladekoelbox
4	Bevestigingshoek
1	Gebruiksaanwijzing

## 4 Gebruik volgens de voorschriften

De ladekoelboxen CD20 en CD30 zijn voor het mobiele gebruik in vrachtwagen, boot of caravan geschikt en is voor een permanente helling van maximaal 30° geschikt.

Een optimaal koelvermogen is gegarandeerd bij omgevingtemperaturen tussen +16 °C en +32 °C alsmede bij een luchtvochtigheid van hoogstens 90 %.



### INSTRUCTIE

Voordat u de koelbox aan extreme belastingen blootstelt, dient u contact op te nemen met de fabrikant.



### VOORZICHTIG! Gevaar voor de gezondheid!

- Controleer of het koelvermogen van het toestel voldoet aan de eisen van de levensmiddelen of geneesmiddelen die u wilt koelen.
- Levensmiddelen mogen alleen in de originele verpakking of in geschikte bakken worden bewaard.

## 5 Technische beschrijving

De koeltoestellen kunnen waren in een temperatuurbereik van -2 °C tot +12 °C worden afgekoeld resp. koel worden gehouden.

De koelbox is met een accumulator uitgerust die de compressor uit- en opnieuw inschakelt en hierdoor de accu en de compressor tegen schade beschermt. De in- en uitschakelpunten, gemeten aan de aansluitklemmen van de compressor, zijn in het hoofdstuk hoofdstuk „Technische gegevens“ op pagina 99 beschreven.

### 5.1 Bedieningselementen

Nr. in afb. <b>3</b> , pagina 4	Verklaring
1	Thermostaat

## 6 Inbouw



### LET OP!

- Zorg ervoor dat de pluskabel aan de plus- en de minkabel aan de minpool aangesloten wordt.
- Zorg er bij de keuze van de inbouwplaats voor dat de door de condensor opgewarmde lucht goed kan wegtrekken.



### INSTRUCTIE

- Om spannings- en hierdoor vermogensverlies te vermijden, moet de kabel zo kort mogelijk zijn en mag de kabel niet onderbroken worden. Vermijd daarom bijkomende schakelaars, stekkers of verdeelkasten.
- U kunt de compressor van de koelbox demonteren en op een andere plaats aan de koelbox of gescheiden van de koelbox monteren (afb. **2**, pagina 3). Let daarbij op de lengte van de koelmiddelleiding van 1,5 m (CD20)/1,5 m (CD30).

Neem de volgende aanwijzingen in acht:

- Bepaal de nodige kabeldiameter afhankelijk van de kabellengte aan de hand van afb. **6**, pagina 5.

Legenda bij afb. **6**, pagina 5

Coördinaten	Betekenis	Eenheid
l	Kabellengte	m
∅	Kabeldiameter	mm <sup>2</sup>

Sluit uw koeltoestel zo direct mogelijk tegen de pool van de accu of aan een met minstens 15 A (12 V); 7,5 A (24 V) beveiligde steekplaats aan.

- Gebruik voor het vastschroeven van het koeltoestel aan de inbouwplaats de aan de toestelzijden aangebrachte aanschroefpunten (zie afb. **4**, pagina 4 en afb. **5**, pagina 4).

## 7 Bediening



### INSTRUCTIE

Voor u het nieuwe koeltoestel in gebruik neemt, moet u het om hygiënische redenen van binnen en van buiten reinigen met een vochtige doek (zie ook hoofdstuk „Reiniging en onderhoud” op pagina 95).

### 7.1 Tips om energie te sparen

- Kies een goed geventileerde en tegen zonnestralen beschermde plaats.
- Laat warme spijzen eerst afkoelen, voordat u ze in het toestel koel houdt.
- Open het koeltoestel niet vaker dan nodig.
- Laat het koeltoestel niet langer open dan nodig is.
- Ontdooi uw koeltoestel zodra er zich een ijslaag gevormd heeft.
- Vermijd een onnodig lage binnentemperatuur.
- Verwijder regelmatig vuil van de condensator (stof enz.).

### 7.2 Koelbox inschakelen

- Open de schuiflade van de koelbox.
  - Om de koelbox in te schakelen, draait u de knop van de thermostaat (zie afb. **3** 1, pagina 4) in de richting van de wijzers van de klok.
- ✓ De koelbox start met het koelen van de binnenruimte.



### INSTRUCTIE

Zorg ervoor dat er zich enkel voorwerpen of waren in de koelbox bevinden die op de gekozen temperatuur gekoeld of opgewarmd mogen worden.

## 7.3 Temperatuur kiezen

De schakelknop aan de thermostaat (zie afb. **3** 1, pagina 4) geeft het gekozen temperatuurbereik aan.

Schakelknoppositie	Temperatuurbereik (afhankelijk van de omgevingstemperatuur)	
	CD20	CD30
MAX	ca -2 °C in de binnenruimte	
MIN	ca +12 °C in de binnenruimte	

- Als u de temperatuur voor het koelen wilt kiezen, draai dan de schakelknop aan de thermostaat (zie afb. **3** 1, pagina 4), tot het gewenste temperatuurbereik bereikt is.

## 7.4 Koelbox uitschakelen



### INSTRUCTIE

Wilt u het koeltoestel gedurende langere tijd stilliggen, reinig het dan en laat de lade een beetje open. Op die manier voorkomt u de vorming van onaangename geurtjes.

- Open de schuiflade van de koelbox.
- Om de koelbox uit te schakelen, draait u de knop van de thermostaat (zie afb. **3** 1, pagina 4) op „0”.
- ✓ De koelbox is uitgeschakeld.
- Als u de koelbox uit gebruik neemt, klem dan de aansluitkabel van de accu af.

## 7.5 Ontdooien

Luchtvochtigheid kan zich in de binnenruimte van het koeltoestel als rijm afzetten, waardoor het koelvermogen verminderd wordt. Ontdooi het toestel daarom tijdig.



### LET OP!

Verwijder de ijslaag nooit met harde of scherpe werktuigen die de kunststof of de verdamper zouden kunnen beschadigen.

- Neem de waren eruit en bewaar ze evt. in een ander koeltoestel zodat ze koud blijven.
- Schakel het koeltoestel uit (zie hoofdstuk „Koelbox uitschakelen” op pagina 94) en laat de lade open.
- Veeg het dooiwater af of – indien voorhanden – leeg de opvangbak.

## 8 Reiniging en onderhoud



### WAARSCHUWING!

Scheid voor elke reiniging en verzorging het toestel van het net.



### LET OP! Gevaar voor beschadiging!

- Reinig het koeltoestel nooit onder stromend water of in afwaswater.
- Gebruik voor het reinigen geen bijtende schoonmaakmiddelen of harde voorwerpen, aangezien het koeltoestel hierdoor beschadigd zou kunnen raken.

- Reinig het toestel van binnen en buiten af en toe met een vochtige doek.
- Zorg ervoor dat de ventilatieopeningen van het toestel vrij zijn van stof en verontreinigingen, zodat de bij het gebruik ontstane warmte kan worden afgevoerd en het toestel niet beschadigd raakt.

## 9 Garantie

De wettelijke garantieperiode is van toepassing. Als het product defect is, wendt u zich tot het filiaal van de fabrikant in uw land (adressen zie achterkant van de handleiding) of tot uw speciaalzaak.

Voor de afhandeling van de reparatie of garantie dient u de volgende documenten mee te sturen:

- een kopie van de factuur met datum van aankoop,
- reden van de klacht of een beschrijving van de storing.

## 10 Afvoer

► Laat het verpakkingsmateriaal indien mogelijk recylen.



Als u het product definitief buiten bedrijf stelt, informeer dan bij het dichtstbijzijnde recyclingcentrum of uw speciaalzaak naar de betreffende afvoervoorschriften.

## 11 Verhelpen van storingen



### WAARSCHUWING!

Reparaties aan dit toestel mogen enkel door vaklui uitgevoerd worden. Door ondeskundige reparaties kunnen grote gevaren ontstaan.

### Compressor loopt niet

Kenmerk	Mogelijke oorzaak	Oplossing
$U_{KL}=0$ volt	Onderbreking in de aansluitleiding accu – elektronica	Verbinding tot stand brengen
	Hoofdschakelaar defect (indien voorhanden)	Hoofdschakelaar vervangen
	Extra leidingbeveiliging doorgebrand (indien voorhanden)	Leidingbeveiliging vervangen
$U_{KL} \leq U_{AAN}$	Accuspanning te laag	Accu laden



Kenmerk	Mogelijke oorzaak	Oplossing
Bij de startpoging: $U_{KL} \leq U_{UIT}$	Losse kabelverbinding	Verbinding tot stand brengen
	Slecht contact (corrosie)	
	Accu capaciteit te gering	Accu vervangen
Bij de startpoging: $U_{KL} \geq U_{AAN}$	Kabeldiameter te gering	Kabel vervangen (afb. 6, pagina 5)
	Omgevingstemperatuur te hoog	–
	Be- en ontluftung niet voldoende	Koelkast anders zetten
Elektrische onderbreking in de compressor tussen de stiften	Condensator vervuild	Condensator reinigen
	Compressor defect	De reparatie kan alleen door een geautoriseerd servicebedrijf uitgevoerd worden.

$U_{KL}$  Spanning tussen plus- en minklem van de elektronica

$U_{AAN}$  Inschakelspanning aansluitklem elektronica (zie hoofdstuk „Technische beschrijving“ op pagina 91)

$U_{UIT}$  Uitschakelspanning aansluitklem elektronica (zie hoofdstuk „Technische beschrijving“ op pagina 91)

### Binnentemperatuur te laag in thermostaatstand „MIN“

Kenmerk	Mogelijke oorzaak	Oplossing
Compressor loopt permanent	Thermostaatsensor heeft geen contact aan de verdampers	Sensor bevestigen
	Kortsluiting in de thermostaatleiding	Thermostaat vervangen
	Thermostaat defect	
Compressor loopt lang	In het verdampervak werd een grotere hoeveelheid ingevroren	

**Koelvermogen vermindert, binnentemperatuur stijgt**

Kenmerk	Mogelijke oorzaak	Oplossing
Compressor loopt lang/continu	Verdamper verijst	Verdamper ontdooien
	Isolatie van de koelruimte niet voldoende (vochtig/nat)	Ladenafdichting bijstellen/vervangen
	Omgevingstemperatuur te hoog	
	Be- en ontluchting niet voldoende	Zorg voor voldoende ventilatie
	Condensator vervuild	Condensator reinigen
	Ventilator defect (indien voorhanden)	Ventilator vervangen
Compressor loopt zelden	Accucapaciteit uitgeput	Accu laden


**Abnormale geluiden**

Kenmerk	Mogelijke oorzaak	Oplossing
Luid brommen	Onderdeel van het koelcircuit kan niet vrij trillen (ligt tegen wand aan)	Onderdeel voorzichtig buigen
	Vreemde voorwerpen tussen koelmachine en wand ingeklemd	Vreemde voorwerpen verwijderen
	Ventilatorgeluid	–

**Radio- of televisiestoringen in het voertuig**

Kenmerk	Mogelijke oorzaak	Oplossing
Ontvangststoringen tijdens de compressor loopt	Elektronica-aansluiting van het koeltoestel is niet direct aan de accu aangeklemd	Sluit uw koeltoestel het best direct aan de pool van de accu aan

## 12 Technische gegevens

	CD20	CD30
Aansluitspanning:	12 V $\overline{\text{---}}$ /24 V $\overline{\text{---}}$	
Uitschakelspanning:	10,4 V bij 12 V $\overline{\text{---}}$ 22,8 V bij 24 V $\overline{\text{---}}$	
Inschakelspanning:	11,7 V bij 12 V $\overline{\text{---}}$ 24,2 V bij 24 V $\overline{\text{---}}$	
Nominale stroom:	12 V $\overline{\text{---}}$ : 3 A 24 V $\overline{\text{---}}$ : 1,5 A	
Koelvermogen:	-2 °C tot +12 °C	
Nuttige inhoud:	20 l	30 l
Klimaatklasse:	N	
Omgevingstemperatuur:	+16 °C tot +32 °C	
Luchtvochtigheid:	max. 90 %	
Permanente kanteling:	max. 30°	
Koelmiddelhoeveelheid:	38 g	42 g
CO <sub>2</sub> -equivalent:	0,054 t	0,060 t
Aardopwarmingsvermogen (GWP):	1430	
Afmetingen:	afb. <b>1</b> , pagina 3	
Gewicht:	16,1 kg	18 kg
Keurmerk/certificaten:		

Het koelcircuit bevat R134a.

Bevat gefluoreerde broeikasgassen

Hermetisch afgesloten apparaat

**Læs denne vejledning omhyggeligt igennem før ibrugtagning, og gem den. Giv den til brugeren, hvis du giver apparatet videre.**

Producenten hæfter ikke for skader, der er forårsaget af **ukorrekt brug** eller **forkert betjening**.

## Indholdsfortegnelse

1	Forklaring af symbolerne . . . . .	101
2	Sikkerhedshenvisninger . . . . .	101
3	Leveringsomfang . . . . .	103
4	Korrekt brug . . . . .	104
5	Teknisk beskrivelse . . . . .	104
6	Installation . . . . .	105
7	Betjening . . . . .	106
8	Rengøring og vedligeholdelse . . . . .	108
9	Garanti . . . . .	109
10	Bortskaffelse . . . . .	109
11	Udbedring af fejl . . . . .	109
12	Tekniske data . . . . .	112

# 1 Forklaring af symbolerne

**FARE!**

**Sikkerhedshenvisning:** Manglende overholdelse medfører død eller alvorlig kvæstelse.

**ADVARSEL!**

**Sikkerhedshenvisning:** Manglende overholdelse kan medføre død eller alvorlig kvæstelse.

**FORSIGTIG!**

**Sikkerhedshenvisning:** Manglende overholdelse kan medføre kvæstelser.

**VIGTIGT!**

Manglende overholdelse kan medføre materielle skader og begrænse produktets funktion.

**BEMÆRK**

Supplerende informationer om betjening af produktet.

## 2 Sikkerhedshenvisninger

### 2.1 Generel sikkerhed

**ADVARSEL!**

- Hvis apparatet har synlige beskadigelser, må du ikke tage det i brug.
- Hvis dette apparats tilslutningskabel beskadiges, skal det udskiftes af producenten, dennes kundeservice eller en lignende kvalificeret person for at undgå farer.
- Reparationer på dette apparat må kun foretages af fagfolk. Ved ukorrekte reparationer kan der opstå betydelige farer.
- Dette apparat kan anvendes af børn over 8 år og derudover af personer med begrænsede fysiske, sanse- eller mentale evner eller uden erfaring og/eller viden, hvis de er under opsyn eller blev instrueret i sikker brug af apparatet og forstår farerne, der følger heraf.

- Rengøring og brugerens vedligeholdelse må ikke udføres af børn uden opsyn.
- Børn må ikke lege med apparatet.
- Børn bør være under opsyn for at sikre, at de ikke leger med apparatet.
- Opbevar og anvend apparatet uden for børns rækkevidde (under 8 år).
- Opbevar ikke eksplosive stoffer, som f.eks. spraydåser med drivgas, i apparatet.

**FORSIGTIG!**

- Afbryd apparatet fra nettet
  - før rengøring og vedligeholdelse
  - efter brug
- Levnedsmidler må kun opbevares i original emballage eller egnede beholdere.

**VIGTIGT!**

- Sammenlign spændingsangivelsen på typeskiltet med energiforsyningen, der er til rådighed.
- Tilslut kun apparatet til en DC-stikdåse i køretøjet (f.eks. cigaret-tænder) med DC-tilslutningskablet.
- Træk aldrig stikket ud af stikdåsen med tilslutningskablet.
- Afbryd køleapparatet og andre forbrugere fra batteriet, før du tilslutter hurtigopladeren.
- Afbryd forbindelsen, eller slå køleapparatet fra, når motoren standses. I modsat fald kan batteriet blive afladet.
- Køleapparatet er ikke egnet til transport af stoffer, der er ætsende eller indeholder opløsningsmidler.
- Dette køleapparatet indeholder brændbart cyklopentan i isoleringen. Gasserne i isoleringsmaterialet kræver en særlig bortskaffelsesmetode. Aflever apparatet til korrekt bortskaffelse ved afslutningen af dets levetid.

## 2.2 Sikkerhed under anvendelse af apparatet

**FORSIGTIG!**

- Kontrollér før ibrugtagning, at ledningen og stikket er tørre.

**VIGTIGT!**

- Anvend ikke elektriske apparater i køleapparatet, undtagen hvis producenten anbefaler disse apparater hertil.
- Stil ikke apparatet i nærheden af åben ild eller andre varmekilder (varmeapparater, stærk sol, gasovne osv.).
- **Fare for overophedning!**  
Sørg altid for, at varme, der opstår under driften, kan føres tilstrækkeligt bort. Sørg for, at apparatet har tilstrækkelig afstand til vægge og genstande, så luften kan cirkulere.
- Ventilationsåbningerne må ikke tildækkes.
- Fyld ikke væsker eller is i den indvendige beholder.
- Dyb aldrig apparatet i vand.
- Beskyt apparatet og kablerne mod varme og fugtighed.
- Ved anvendelse i lastbiler:  
Tøm køleboksen, og slå apparatet fra (se kapitlet „Frakobling af køleboksen“ på side 107), før førerhuset vipkes.

### 3 Leveringsomfang

Mængde	Betegnelse
1	Skuffe-køleboks
4	Fastgørelsesvinkel
1	Betjeningsvejledning

## 4 Korrekt brug

Skuffe-køleboksene CD 20 og CD 30 er egnede til mobil anvendelse i lastbiler, både eller campingvogne og er dimensioneret til en konstant hældning på maks. 30°.

En optimal kølekapacitet er sikret ved omgivelsestemperaturer mellem +16 °C og +32 °C samt ved en luftfugtighed på maks. 90 %.



### BEMÆRK

Før du udsætter køleapparatet for ekstrem belastning, bør du kontakte producenten.



### FORSIGTIG! Sundhedsfare!

- Kontrollér, om apparatets kølekapacitet svarer til kravene for fødevarerne eller lægemidlerne, som du vil køle.
- Levnedsmidler må kun opbevares i original emballage eller egnede beholdere.

## 5 Teknisk beskrivelse

Køleapparaterne kan køle varer i et temperaturområde på –2 °C til +12 °C og holde dem kolde.

Køleboksen er udstyret med en batteriovervågning, der frakobler kompressoren og tilkobler den igen og dermed beskytter batteriet og kompressoren mod skader. Til- og frakoblingspunkterne, målt på kompressorens tilslutningsklemmerne, er anført i kapitlet kapitlet „Tekniske data“ på side 112.

### 5.1 Betjeningselementer

Nr. på  
fig. 3,  
side 4

Forklaring

1

Termostat



## 6 Installation



### VIGTIGT!

- Plus-kablet skal tilsluttes til plus-polen og minus-kablet til minus-polen.
- Ved valg af monteringsstedet skal du sørge for, at luften, der er opvarmet af kondensatoren, kan slippe bort.



### BEMÆRK

- For at undgå spændings- og dermed effekttab skal kabelføringen være så kort som mulig og må ikke være afbrudt. Undgå derfor ekstra kontakter, stik eller fordelerdåser.
- Du kan afmontere kompressoren fra køleapparatet og montere det på et andet sted på køleapparatet eller uafhængigt af det (fig. **2**, side 3).  
Vær i den forbindelse opmærksom på kølemiddelledningens længde på 1,5 m (CD 20)/1,5 m (CD 30).

Overhold følgende henvisninger:

- Bestem kablets nødvendige tværsnit i forhold til kabellængden iht. fig. **6**, side 5.

Forklaring til fig. **6**, side 5

Koordinatakse	Betydning	Enhed
l	Kabellængde	m
Ø	Kabeltværsnit	mm <sup>2</sup>

Tilslut køleapparatet så direkte som muligt til batteriets poler eller til en sikret stikdåse med min. 15 A (12 V) eller 7,5 A (24 V).

- Anvend de monteringspunkter, der er placeret på apparatets sider, til at skrue køleapparatet fast på monteringsstedet (se fig. **4**, side 4 og fig. **5**, side 4).

## 7 Betjening



### BEMÆRK

Før du tager køleapparatet i brug, bør du af hygiejniske årsager rengøre det indvendigt og udvendigt med en fugtig klud (se også kapitlet „Rengøring og vedligeholdelse“ på side 108).

### 7.1 Tips til energibesparelse

- Vælg et anvendelsessted, der er godt ventileret og beskyttet mod sol.
- Lad først varm mad afkøle, før du holder den kold i apparatet.
- Åbn ikke køleapparatet hyppigere end nødvendigt.
- Lad ikke køleapparatet forblive åbent længere end nødvendigt.
- Afrim køleapparatet, så snart der har dannet sig et islag.
- Undgå unødigt lav indvendig temperatur.
- Rengør med regelmæssige mellemrum kondensatoren (støv osv.).

### 7.2 Tilkobling af køleboksen

- Åbn køleboksens skuffe.
- For at tilkoble køleboksen skal du dreje termostatens knap (se fig. **3** 1, side 4) med uret.
- ✓ Køleboksen starter med at køle det indvendige rum.



### BEMÆRK

Sørg for, at der kun er genstande eller varer i køleboksen, der må afkøles eller opvarmes til den valgte temperatur.

## 7.3 Valg af temperatur

Knappen på termostaten (se fig. **3** 1, side 4) viser det valgte temperaturområde.

Knap-position	Temperaturområde (afhængigt af udenomstemperaturen)	
	CD20	CD30
MAX	ca -2 °C i det indvendige rum	
MIN	ca +12 °C i det indvendige rum	

- Hvis du vil indstille temperaturen til køling, skal du dreje knappen på termostaten (se fig. **3** 1, side 4), indtil det ønskede temperaturområde er nået.

## 7.4 Frakobling af køleboksen



### BEMÆRK

Hvis du ikke vil bruge køleapparatet i længere tid, skal du rengøre det og lade skuffen være åbnet lidt. På den måde undgår du, at der opstår ubehagelig lugt.

- Åbn køleboksens skuffe.
- For at frakoble køleboksen skal du dreje termostatens knap (se fig. **3** 1, side 4) til position „0“.
- ✓ Køleboksen er frakoblet.
- Når du tager køleboksen ud af drift, skal du afbryde tilslutningskablet fra batteriet.

## 7.5 Afrimning

Luftfugtighed kan sætte sig som rim i køleapparatets indvendige rum og derved reducere kølekapaciteten. Afrim derfor apparatet rettidigt.



### VIGTIGT!

Fjern aldrig islaget med hårdt eller spidst værktøj, der kan beskadige kunststoffet eller fordampere.

- Tag indholdet ud, og opbevar det evt. i et andet køleapparat, så det holdes koldt.
- Sluk for køleapparatet (se kapitlet „Frakobling af køleboksen“ på side 107), og lad skuffen stå åben.
- Tør kondensvandet op, eller tøm opsamlingsbakken, hvis den findes.

## 8 Rengøring og vedligeholdelse



### ADVARSEL!

Afbryd før rengøring og vedligeholdelse apparatet fra nettet.



### VIGTIGT! Fare for beskadigelse!

- Rengør aldrig køleapparatet under rindende vand eller i opvaskevand.
  - Anvend ikke skrabe rengøringsmidler eller hårde genstande ved rengøringen, da de kan beskadige køleapparatet.
- Rengør af og til apparatet indvendigt og udvendigt med en fugtig klud.
  - Sørg for, at apparatets ventilations- og udluftsåbninger er fri for støv og urenheder, så varmen, der opstår under driften, kan ledes bort, og apparatet ikke tager skade.

## 9 Garanti

Den lovbestemte garantiperiode gælder. Hvis produktet er defekt, skal du kontakte producentens afdeling i dit land (adresser, se vejledningens bagside) eller din forhandler.

Ved reparation eller krav om garanti skal du medsende følgende bilag:

- En kopi af regningen med købsdato
- En reklamationsgrund eller en fejlbeskrivelse

## 10 Bortskaffelse

► Bortskaf så vidt muligt emballagen sammen med det tilsvarende genbrugsaffald.



Hvis du tager produktet endegyldigt ud af drift, skal du kontakte det nærmeste recyclingcenter eller din faghandel for at få de pågældende forskrifter om bortskaffelse.

## 11 Udbedring af fejl



### ADVARSEL!

Reparationer på dette apparat må kun foretages af fagfolk. Ved ukorrekte reparationer kan der opstå betydelige farer.

### Kompressoren kører ikke

Kendetegn	Mulig årsag	Løsning
$U_{KL} = 0$ volt	Afbrydelse i tilslutningsledningen batteri – elektronik	Etablér forbindelsen
	Hovedafbryder defekt (hvis den findes)	Udskift hovedafbryderen
	Ekstra ledningssikring brændt over (hvis den findes)	Udskift ledningssikringen
$U_{KL} \leq U_{TIL}$	Batterispænding for lav	Opladning af batteriet

Kendetegn	Mulig årsag	Løsning
Ved startforsøg: $U_{KL} \leq U_{FRA}$	Løs kabelforbindelse	Etablér forbindelsen
	Dårlig forbindelse (korrosion)	
	Batterikapacitet for lav	Udskift batteriet
	Kabeltværsnit for lille	Udskift kablet (fig. 6, side 5)
Ved startforsøg: $U_{KL} \geq U_{TIL}$	Udenomstemperatur for høj	–
	Ventilation og udluftning ikke tilstrækkelig	Stil køleskabet et andet sted
	Kondensator snavset	Rengør kondensatoren
Elektrisk afbrydelse i kompressoren mellem stikbenene	Kompressor defekt	Reparationen kan kun foretages af en tilladt kundeservice.

$U_{KL}$  Spænding mellem elektronikkens plus- og minusklemme

$U_{TIL}$  Tilkoblingsspænding på elektronikkens tilslutningsklemme (se kapitlet „Teknisk beskrivelse“ på side 104)

$U_{FRA}$  Frakoblingsspænding på elektronikkens tilslutningsklemme (se kapitlet „Teknisk beskrivelse“ på side 104)

### Indvendig temperatur for kold i termostat-position „MIN“

Kendetegn	Mulig årsag	Løsning
Kompressor kører konstant	Termostatføleren har ikke forbindelse til fordampere	Fastgør føleren
	Kortslutning i termostatledningen	Udskift termostaten
	Termostat defekt	
Kompressoren kører længe	I fordamperrummet blev der nedfrosset en større mængde	

**Kølekapacitet reduceres, den indvendige temperatur stiger**

Kendetegn	Mulig årsag	Løsning
Kompressoren kører længe/konstant	Der dannes islag på fordampere	Afrim fordampere
	Kølerumsisoleringen ikke tilstrækkelig (fugtig/våd)	Justér/udskift skuffetætningen
	Udenomstemperatur for høj	
	Ventilation og udluftning ikke tilstrækkelig	Sørg for tilstrækkelig ventilation
	Kondensator snavset	Rengør kondensatoren
	Ventilator defekt (hvis den findes)	Udskift ventilatoren
Kompressoren kører sjældent	Batterikapacitet opbrugt	Oplad batteriet


**Usædvanlige lyde**

Kendetegn	Mulig årsag	Løsning
Høj brummen	En af kølekredsløbets komponenter kan ikke svinge frit (ligger op mod væggen)	Bøj forsigtigt komponenten
	Fremmedlegeme klemt inde mellem kølemaskinen og væggen	Fjern fremmedlegemet
	Ventilatorstøj	–

**Radio- eller tv-forstyrrelser i køretøjet**

Kendetegn	Mulig årsag	Løsning
Modtagelsesforstyrrelser, mens kompressoren kører	Køleapparats elektroniktillutning er ikke tilsluttet direkte til batteriet	Tilslut køleapparatet så direkte som muligt til batteriets poler

## 12 Tekniske data

	CD20	CD30
Tilslutningsspænding:	12 V $\overline{=}$ /24 V $\overline{=}$	
Frakoblingsspænding:	10,4 V ved 12 V $\overline{=}$ 22,8 V ved 24 V $\overline{=}$	
Tilkoblingsspænding:	11,7 V ved 12 V $\overline{=}$ 24,2 V ved 24 V $\overline{=}$	
Mærkestrøm:	12 V $\overline{=}$ : 3 A 24 V $\overline{=}$ : 1,5 A	
Kølekapacitet:	-2 °C til +12 °C	
Nettoindhold:	20 l	30 l
Klimaklasse:	N	
Udenomstemperatur:	+16 °C til +32 °C	
Luffugtighed:	Maks. 90 %	
Konstant hældning:	Maks. 30°	
Kølemiddelmængde:	38 g	42 g
CO <sub>2</sub> -ækvivalent:	0,054 t	0,060 t
Drivhuspotentiale (GWP):	1430	
Mål:	fig. <b>1</b> , side 3	
Vægt:	16,1 kg	18 kg
Godkendelse/certifikater:		

Kølekredsløbet indeholder R134a.

Indeholder fluorerede drivhusgasser

Hermetisk lukkede anlæg eller hermetisk lukket udstyr



**Läs igenom anvisningarna noga innan apparaten tas i drift. Spara bruksanvisningen för senare bruk. Överlämna bruksanvisningen till den nya ägaren vid ev. vidareförsäljning.**

Tillverkaren ansvarar inte för skador som uppstår p.g.a. **icke ändamålsenlig användning** eller **felaktig hantering/skötsel**.

## Innehållsförteckning

1	Förklaring av symboler . . . . .	114
2	Säkerhetsanvisningar . . . . .	114
3	Leveransomfång . . . . .	116
4	Ändamålsenlig användning . . . . .	117
5	Teknisk beskrivning. . . . .	117
6	Installation . . . . .	118
7	Drift . . . . .	119
8	Rengöring och underhåll . . . . .	121
9	Garanti . . . . .	122
10	Avfallshantering. . . . .	122
11	Åtgärdande av störningar. . . . .	122
12	Tekniska data. . . . .	125

# 1 Förklaring av symboler

**FARA!**

**Observera:** Beaktas anvisningen ej leder det till dödsfara eller svåra skador.

**WARNING!**

**Observera:** Beaktas anvisningen ej kan det leda till dödsfara eller svåra skador.

**AKTA!**

**Observera:** Beaktas anvisningen ej kan det leda till kroppsskador.

**OBSERVERA!**

Om anvisningarna inte beaktas kan det leda till materialskador och produktens funktion kan påverkas negativt.

**ANVISNING**

Kompletterande information om användning av produkten.

## 2 Säkerhetsanvisningar

### 2.1 Allmän säkerhet

**WARNING!**

- Om apparaten uppvisar synliga skador får den ej tas i drift.
- Om apparatens anslutningskabel skadas måste den, av säkerhetsskäl, bytas ut av tillverkaren, tillverkarens kundtjänst eller annan behörig person.
- Reparationer på apparaten får endast utföras av behörigt fackfolk. Icke fackmässiga reparationer kan leda till att allvarliga faror uppstår.
- Denna apparat kan användas av barn från 8 år samt personer med fysiska, sensoriska eller mentala funktionshinder eller oerfarenhet och/eller ovetande under uppsikt av en ansvarig person eller om de har undervisats hur apparaten används på ett säkert sätt utan att faror uppstår.
- Rengöring och underhåll får inte genomföras av barn utan uppsikt.

- Barn får inte leka med apparaten.
- Barn bör hållas under uppsikt, så att de inte leker med apparaten.
- Förvara och använd apparaten utom räckhåll för barn under 8 år.
- Lagra inga ämnen som kan explodera i apparaten, som t.ex. sprayburkar med brännbar drivgas.

**AKTA!**

- Koppla alltid bort apparaten från elnätet
  - före rengöring och underhåll
  - efter användning
- Livsmedel får endast förvaras i originalförpackningarna eller i andra lämpliga behållare.

**OBSERVERA!**

- Jämför spänningsangivelsen på typskylten med elförsörjningen på plats.
- Anslut apparaten endast till ett DC-uttag i fordonet (t. ex. cigarettuttag) med DC-anlutningskabel.
- Dra aldrig ut stickkontakten ur uttaget genom att dra i anslutningskabeln.
- Koppla bort kylapparaten och andra elförbrukare från batteriet innan en batteriladdare ansluts.
- Skilj apparaten från elnätet eller stäng av den när motorn stängs av. Annars kan batteriet urladdas.
- Kylapparaten är inte ämnad för transport av frätande ämnen och ämnen som innehåller lösningsmedel.
- Kylapparaten isolering innehåller brännbart cyklopentan. Gaserna i isoleringsmaterialet gör att materialet kräver särskild hantering. Lämna in kylboxen till en lämplig återvinningscentral när den inte ska användas längre.

## 2.2 Säkerhet under drift

**AKTA!**

- Kontrollera, innan apparaten tas i drift, att elkabeln och stickkontakten är torra.

**OBSERVERA!**

- Använd inga elektriska apparater för arbeten inne i kylapparaten. Undantag: apparaterna rekommenderas för sådan användning av tillverkaren.
- Ställ inte kylapparaten i närheten av öppen eld eller andra värmekällor (värmeelement, starkt solljus, gasspisar osv.).
- **Risk för överhettning!**  
Se till att värmen som alstras under användningen kan avledas ordentligt. Apparaten måste ha tillräckligt stort avstånd till väggen/andra föremål, så att luften kan cirkulera fritt.
- Se till att ventilationsspringorna inte täcks över.
- Fyll inte innerfacket med vätskor eller is.
- Doppa aldrig ned apparaten i vatten.
- Skydda apparaten och kablarna mot hetta och fukt.
- Vid användning i lastbil:  
Töm kylboxen och stäng av apparaten (se kapitel "Stänga av kylboxen" på sidan 120) innan hytten tippas.

### 3 Leveransomfång

Mängd	Beteckning
1	Kylbox med utdragslåda
4	Fästvinkel
1	Bruksanvisning

## 4 Ändamålsenlig användning

Kylboxarna med utdragslåda CD20 och CD30 är framtagna för mobil användning i lastbil, båt eller husvagn och är konstruerade för en lutning på maximalt 30° i kontinuerlig drift.

Kyleffekten är optimal vid omgivningstemperaturer på mellan +16 °C och +32 °C samt vid en luftfuktighet på högst 90 %.



### ANVISNING

Kontakta tillverkaren innan kylboxen utsätts för extrema belastningar.



### AKTA! Hälsorisk!

- Kontrollera om apparatens kyleffekt motsvarar kraven för de livsmedel eller mediciner du vill hålla kalla.
- Livsmedel får endast förvaras i originalförpackningarna eller i andra lämpliga behållare.

## 5 Teknisk beskrivning

Kylboxarna kan kyla ner livsmedel till temperaturer mellan -2 °C till +12 °C och hålla livsmedlen kylda.

Kylboxen är utrustad med en batterivakt som stänger av och sätter på kompressorn, och därmed skyddar batteriet och kompressorn från skador. Till- och frånkopplingspunkterna mätta vid kompressorns anslutningar finns angivna i kapitlet "Tekniska data" på sidan 125.

### 5.1 Reglage, knappar

Nr på bild <b>3</b> , sida 4	Förklaring
1	Termostat

## 6 Installation



### OBSERVERA!

- Säkerställ att plus-kabeln ansluts till pluspolen och minus-kabeln till minuspolen.
- Se till att kylboxen monteras så att den uppvärmda luften från kompressorn kan vädras bort.



### ANVISNING

- För att undvika spänningsförluster och effektförluster ska kabelns väg, om möjligt, vara kort och oavbruten. Undvik ytterligare brytare, kontakter och fördelningsdosor.
- Kompressorn kan demonteras från kylapparaten och monteras på ett annat ställe på apparaten eller separat (bild **2**, sida 3). Observera kylvätskeledningens längd på 1,5 m (CD 20)/1,5 m (CD 30).

Observera följande anvisningar:

- Bestäm kabelarean passande till kabellängden, se bild **6**, sida 5.

Teckenförklaring till bild **6**, sida 5

Koordinataxel	Betydelse	Enhet
l	Kabellängd	m
Ø	Kabelarea	mm <sup>2</sup>

Anslut kylboxen, om möjligt, direkt till polen på batteriet eller till en säkrad kontakt med åtminstone 15 A (12 V); 7,5 A (24 V).

- Använd skruvfästena på apparatens sidor vid monteringen av kylboxen (se bild **4**, sida 4 och bild **5**, sida 4).

## 7 Drift



### ANVISNING

Innan kylboxen tas i drift, ska den av hygieniska skäl torkas av in- och utvändigt med en fuktig trasa (se även kapitel "Rengöring och underhåll" på sidan 121).

### 7.1 Tips för energibesparing

- Välj en uppställningsplats med god ventilation som är skyddad mot direkt solljus.
- Låt varm mat svalna innan den läggs in i kylapparaten.
- Öppna inte kylapparaten oftare än nödvändigt.
- Låt inte kylskåpsdörren stå öppen längre än nödvändigt.
- Frosta av frysboxen så snart det bildas is i den.
- Undvik en onödigt låg temperatur i frysboxen.
- Avlägsna med jämna mellanrum föroreningar från kondensorn (damm osv.).

### 7.2 Sätta på kylboxen

- Öppna kylboxens låda.
- Vrid reglaget på termostaten (se bild **3** 1, sida 4) medurs för att sätta på kylboxen.
- ✓ Kylboxen startar och kyler kylfacket.



### ANVISNING

Säkerställ att det bara finns föremål resp. varor i kylboxen som får kylas resp. värmas till den inställda temperaturen.

## 7.3 Välja temperatur

Reglaget på termostaten (se bild **3** 1, sida 4) visar det valda temperaturområdet.

Läge på reglaget	Temperaturområde (beroende på yttertemperatur)	
	CD20	CD30
MAX	ca -2 °C i kylfacket	
MIN	ca +12 °C i kylfacket	

- För att välja kyltemperatur: vrid reglaget på termostaten (se bild **3** 1, sida 4) till önskat temperaturområde.

## 7.4 Stänga av kylboxen



### ANVISNING

När du inte ska använda kylboxen under en längre tid, rengör den och låt lådan stå lite öppen. På så sätt förhindras dålig lukt.

- Öppna kylboxens låda.
- Vrid reglaget på termostaten (se bild **3** 1, sida 4) till positionen "0" för att stänga av kylboxen.
- ✓ Kylboxen är avstängd.
- Koppla bort anslutningskabeln från batteriet när kylboxen tas ur drift.



## 7.5 Avfrostning

Luftfuktigheten kan avsätta sig som frost i kylfacket på kylboxen, om så sker minskar kylförmågan. Frosta då av apparaten så snart som möjligt.



### **OBSERVERA!**

Avlägsna aldrig isbeläggningar med hårda eller spetsiga verktyg, då de kan skada plasten eller förångaren.

- Plocka ur kylvarorna och lagra dem vid behov i ett annat kylskåp, så att de förblir kalla.
- Stäng av kylboxen (se kapitel "Stänga av kylboxen" på sidan 120) och låt lådan vara öppen.
- Torka upp smältvattnet eller töm uppsamlingskärlet (om tillgängligt).

## 8 Rengöring och underhåll



### **VARNING!**

Koppla alltid bort apparaten från elnätet före rengöring och skötsel.



### **OBSERVERA! Risk för skador!**

- Rengör aldrig kylapparaten under rinnande vatten eller i diskvatten.
- Använd inga skarpa rengöringsmedel eller hårda föremål vid rengöring, det kan skada kylapparaten.

- Rengör apparaten då och då in- och utvändigt med en fuktig trasa.
- Kontrollera att luftnings-/ventilationsöppningarna är rena från damm och annat smuts så att värmen i vid användning kan avledas ordentligt så att produkten inte skadas.

## 9 Garanti

Den lagstadgade garantitiden gäller. Om produkten är defekt: kontakta tillverkarens kontor i ditt land (adresser, se bruksanvisningens baksida) eller återförsäljaren.

Vid reparations- resp. garantiärenden ska följande skickas med:

- en kopia på fakturan med inköpsdatum,
- en reklambeskrivning/felbeskrivning.

## 10 Avfallshantering

► Lämna om möjligt förpackningsmaterialet till återvinning.



När produkten slutgiltigt tas ur bruk: informera dig om gällande bestämmelser hos närmaste återvinningscentral eller hos återförsäljaren.

## 11 Åtgärdande av störningar



### VARNING!

Reparationer på denna apparat får endast genomföras av härför utbildade fackmän. Icke fackmässiga reparationer kan leda till att allvarliga faror uppstår.

### Kompressorn kör inte

Kännetecken	Möjlig orsak	Lösning
$U_{KL}=0$ Volt	Avbrott, anslutningskabeln batteri – elektronik	Anordna anslutningen
	Huvudbrytare defekt (i förekommande fall)	Byt huvudbrytare
	Extra säkring utlöst (om sådan finns)	Byt ut säkringen
$U_{KL} \leq U_{PÅ}$	Batterispänningen är för låg	Ladda batteriet
Vid startförsök: $U_{KL} \leq U_{AV}$	Lös kabelanslutning	Anordna anslutningen
	Dålig kontakt (korrosion)	
	Batterikapaciteten är för dålig	Byt batteri
	För liten kabelarea	Byt kabel (bild <b>6</b> , sida 5)

Kännetecken	Möjlig orsak	Lösning
Vid startförsök: $U_{KL} \geq U_{PÅ}$	Omgivningstemperaturen är för hög	–
	Otillräcklig luftning/ventilation	Flytta kylskåpet
	Kondensorn nedsmutsad	Rengör kondensorn
Elektriskt avbrott i kompressorn mellan stiften	Kompressorn defekt	Reparationer får endast utföras av auktoriserad kundservice.

$U_{KL}$  Spänning mellan elektronikens plus- och minusklämma

$U_{PÅ}$  Tillkopplingsspänning anslutningsklämma elektronik (se kapitel "Teknisk beskrivning" på sidan 117)

$U_{AV}$  Frånkopplingsspänning anslutningsklämma elektronik (se kapitel "Teknisk beskrivning" på sidan 117)

### Temperaturen är för låg när termostaten står i läget "MIN"

Kännetecken	Möjlig orsak	Lösning
Kompressorn kör oavbrutet	Termostat-sensorn har ingen kontakt med förångaren	Sätt fast sensorn
	Kortslutning i termostatledningen	Byt ut termostaten
	Termostaten defekt	
Kompressorn kör länge	I frysacket fryses en större mängd in	

**Kylförmågan försämrad, innertemperaturen stiger**

Kännetecken	Möjlig orsak	Lösning
Kompressorn kör länge/oavbrutet	Förångaren nedisad	Frosta av förångaren
	Kylfackets isolering otillräcklig (fuktig/våt)	lordningsställ eller byt ut tätningen på utdragslådan
	Omgivningstemperaturen är för hög	
	Otillräcklig luftning	Tillgodose en tillräcklig luftning
	Kondensorn nedsmutsad	Rengör kondensorn
	Fläkt defekt (om sådan finns)	Byt ut fläkten
Kompressorn kör sällan	Batterikapaciteten är uttömd	Ladda batteriet


**Ovanliga ljud**

Kännetecken	Möjlig orsak	Lösning
Högt brummande	En konstruktionsdel på kylkretsloppet kan inte svänga fritt (stöter mot väggen)	Böj ut delen försiktigt
	Främmande föremål mellan kylmaskinen och väggen	Tag bort föremålet
	Oljud från fläkten	–

**Radio- eller TV-störningar i fordonet**

Kännetecken	Möjlig orsak	Lösning
Mottagningsstörningar medans kompressorn kör	Kylboxens elektriska anslutning är inte kopplad direkt till batteriet	Anslut, om det är möjligt, kylboxen direkt till polerna på batteriet

## 12 Tekniska data

	CD20	CD30
Anslutningsspänning:	12 V $\overline{=}$ /24 V $\overline{=}$	
Frånkopplingsspänning:	10,4 V vid 12 V $\overline{=}$ 22,8 V vid 24 V $\overline{=}$	
Tillkopplingsspänning:	11,7 V vid 12 V $\overline{=}$ 24,2 V vid 24 V $\overline{=}$	
Nominell ström:	12 V $\overline{=}$ : 3 A 24 V $\overline{=}$ : 1,5 A	
Kyleffekt:	-2 °C till +12 °C	
Nyttovolym:	20 l	30 l
Klimatklass:	N	
Omgivningstemperatur:	+16 °C till +32 °C	
Luftfuktighet:	max. 90 %	
Konstant krängning:	max. 30°	
Mängd kylvätska:	38 g	42 g
Motsvarande CO <sub>2</sub> :	0,054 t	0,060 t
Global uppvärmningspotential (GWP):	1430	
Mått:	bild <b>1</b> , sida 3	
Vikt:	16,1 kg	18 kg
Provning/certifikat:		

Kylkretsen innehåller R 134a.

Innehåller fluorerade växthusgaser

Hermetiskt sluten utrustning

**Les bruksanvisningen nøye før du tar i bruk apparatet, og ta vare på den. Hvis apparatet selges videre, må man sørge for å gi bruksanvisningen videre også.**

Produsenten påtar seg intet ansvar for skader som skyldes **ikke tiltenkt bruk** eller **feil bruk**.

## Innhold

1	Symbolforklaringer . . . . .	127
2	Sikkerhetsregler . . . . .	127
3	Leveringsomfang . . . . .	129
4	Forskriftsmessig bruk . . . . .	130
5	Teknisk beskrivelse . . . . .	130
6	Montering . . . . .	131
7	Betjening . . . . .	132
8	Rengjøring og stell . . . . .	134
9	Garanti . . . . .	135
10	Deponering . . . . .	135
11	Utbedring av feil . . . . .	135
12	Tekniske data . . . . .	138

# 1 Symbolforklaringer

**FARE!**

**Sikkerhetsregel:** Hvis man ikke overholder denne regelen, fører det til død eller alvorlig skade.

**ADVARSEL!**

**Sikkerhetsregel:** Hvis man ikke overholder denne regelen, kan det føre til død eller alvorlig skade.

**FORSIKTIG!**

**Sikkerhetsregel:** Hvis man ikke overholder denne regelen, kan det føre til personskader.

**PASS PÅ!**

Hvis man ikke overholder denne regelen, kan det føre til materielle skader og skade funksjonen til produktet.

**MERK**

Utfyllende informasjon om bruk av produktet.

## 2 Sikkerhetsregler

### 2.1 Generell sikkerhet

**ADVARSEL!**

- Apparatet må ikke tas i bruk hvis det har synlige skader.
- Hvis tilkoblingskabelen på dette apparatet blir skadet, må den erstattes av produsent, kundeservice eller annen kvalifisert person for å unngå farlige situasjoner.
- Reparasjoner på dette apparatet må kun utføres av fagfolk. Feil reparasjoner kan føre til betydelige skader.
- Dette apparatet kan brukes av barn fra 8 år og oppover, og av personer med nedsatte fysiske, sensoriske eller mentale evner eller manglende erfaring og/eller kunnskap, når de er under oppsikt eller har fått opplæring i sikker bruk av apparatet og hvilke farer som er forbundet med det.

- Rengjøring og vedlikehold må ikke utføres av barn uten at de er under oppsikt.
- Barn må ikke leke med apparatet.
- Barn skal være under tilsyn for å sikre at de ikke leker med apparatet.
- Oppbevar og bruk apparatet slik at det ikke er tilgjengelig for barn under 8 år.
- Ikke lagre eksplosjonsfarlige stoffer som f.eks. spraybokser med drivgass i apparatet.

**FORSIKTIG!**

- Koble apparatet fra strømmettet
  - før rengjøring og stell
  - hver gang etter bruk
- Næringsmidler må oppbevares i originalforpakning eller i egnede beholdere.

**PASS PÅ!**

- Sammenlign spenningsspesifikasjonene på merkeskiltet med tilgjengelig strømtilførsel.
- Koble til apparatet kun med DC-tilkoblingskabelen til et DC-stikkkontakt i kjøretøyet (f. eks. sigaretttenner).
- Trekk aldri støpslet ut av stikkkontakten etter ledningen.
- Koble dette kjøleapparatet og andre forbrukere fra batteriet før du kobler til hurtiglader.
- Koble fra forbindelsen eller slå av kjøleapparatet når du slår av motoren. Hvis ikke kan batteriet bli ladet ut.
- Kjøleapparatet er ikke egnet for transport av etsende eller løsemiddelholdige stoffer.
- Dette kjøleapparatet inneholder isoleringen brennbar cyklopentan. Gassene i isolasjonsmaterialet krever en spesiell bortskaffingsprosess. Etter endt levetid skal apparatet bortskaffes på forskriftsmessig måte.

## 2.2 Sikkerhet ved bruk av apparatet

**FORSIKTIG!**

- Før du tar apparatet i bruk, må du passe på at ledningen og støpslet er tørre.





### PASS PÅ!

- Ikke bruk elektriske apparater inne i kjøleapparatet, hvis ikke disse apparatene er anbefalt brukt av produsenten.
- Ikke plasser apparatet i nærheten av åpen flamme eller andre varmekilder (oppvarming, sterk solbestråling, gassovner osv.).
- **Fare for overoppheting!**  
Påse at varme som oppstår under drift alltid blir ventilert bort på en tilfredsstillende måte. Påse derfor at apparatet står langt nok unna vegger eller gjenstander, slik at luften kan sirkulere.
- Pass på at lufteåpningene ikke blir blokkert.
- Fyll ikke væsker eller is i den innvendige beholderen.
- Dypp aldri apparatet i vann.
- Beskytt apparatet og kablen mot varme og fuktighet.
- Før bruk i lastebil:  
Tøm kjøleboksen og koble fra apparatet (se kapittel «Slå av kjøleboksen» på side 133), før man vipper opp førerhuset.

## 3 Leveringsomfang

Antall	Betegnelse
1	Kjøleboks med skuffer
4	Festevinkel
1	Bruksanvisning

## 4 Forskriftsmessig bruk

Kjøleboksene med skuffer CD 20 og CD 30 er beregnet for mobil bruk i lastebiler, båter eller campingvogner og tåler en maksimal krengeing på 30°.

En optimal kjøleeffekt garanteres ved omgivelsestemperaturer mellom +16 °C og +32 °C, og ved en luftfuktighet på maks 90 %.



### MERK

Før kjøleapparatet utsettes for ekstreme belastninger, må man kontakte produsenten for mer informasjon.



### FORSIKTIG! Helsefare!

- Kontroller om apparatets kjøleeffekt oppfyller kravene til næringsmidlene eller medikamentene som du ønsker å kjøle.
- Næringsmidler må oppbevares i originalforpakning eller i egnede beholdere.

## 5 Teknisk beskrivelse

Kjøleapparatene kan kjøle ned hvv. holde kalde varer i et temperaturområde fra -2 °C til +12 °C.

Kjøleboksen er utstyrt med batterivakt, som kobler ut hvv. inn kompressoren for å beskytte batteriet og kompressoren mot skader. Inn- og utkoblingspunktet, målt på tilkoblingsklemmene til kompressoren, er spesifisert i kapittel kapittel «Tekniske data» på side 138.

### 5.1 Betjeningselementer

Nr. i fig. **3**,  
side 4      **Forklaring**

1      Termostat

## 6 Montering



### PASS PÅ!

- Pass på at plusskabelen kobles til plusspolen og minuskabelen til minuspolen.
- Forsikre deg om at luften på montasjestedet ventileres bort effektivt.



### MERK

- For å redusere spennings- og effekttapene mest mulig må lengden på kabelen være så kort som mulig. Unngå ekstra brytere, kontakter eller fordelerbokser.
- Du kan montere kompressoren av kjøleapparatet og montere den på et annet sted på kjøleapparatet eller separat fra kjøleapparatet (fig. **2**, side 3). Ta hensyn til lengden på kjølemiddelledningen på 1,5 m (CD20)/1,5 m (CD30).

Vær oppmerksom på følgende henvisninger:

- Bestem nødvendig kabelvernsnitt avhengig av kabellengden iht. fig. **6**, side 5.  
Forklaring til fig. **6**, side 5

Koordinatakse	Betydning	Enhet
l	Kabellengde	m
Ø	Kabelvernsnitt	mm <sup>2</sup>

Koble kjøleapparatet mest mulig direkte til polene på batteriet eller til minimum et støpsel sikret med 15 A (12 V); 7,5 A (24 V).

- For fastmontering av kjøleapparatet på montasjestedet benytter du festepunktene på apparatet som er beregnet til dette (se fig. **4**, side 4 og fig. **5**, side 4).

## 7 Betjening



### MERK

Før kjøleapparatet tas i bruk skal man av hygieniske årsaker rengjøre det innvendig og utenpå med en fuktig klut (se også kapittel «Rengjøring og stell» på side 134).

### 7.1 Tips for energisparing

- Velg et montasjested som har god ventilasjon og er beskyttet mot solstråling.
- Avkjøl varm mat før du plasserer den i apparatet for avkjøling.
- Ikke åpne kjøleapparatet lenger enn nødvendig.
- Ikke la kjøleskapet stå lenger åpent enn nødvendig.
- Rim av kjøleapparatet hvis det har dannet seg is på det.
- Unngå unødvendig høy innetemperatur.
- Unngå forurensinger i nærheten av kondensatoren (støv osv.).

### 7.2 Koble inn kjøleboksen

- Åpne skuffen på kjøleboksen.
- For å koble inn kjøleboksen, dreier du termostatten (se fig. **3** 1, side 4) med urviseren.
- ✓ Kjøleboksen begynner å kjøle ned kjølerommet.



### MERK

Pass på at kun gjenstander hhv. varer som befinner seg i kjøleboksen blir nedkjølt hhv. oppvarmet til innstilt temperatur.

## 7.3 Stille inn temperaturen

Bryterknappen på termostaten (se fig. **3** 1, side 4) viser innstilt temperatur.

Bryterknappstilling	Temperaturområde (avhengig av omgivelsestemperatur)	
	CD20	CD30
MAX	ca -2 °C inne i boksen	
MIN	ca +12 °C inne i boksen	

- Når man har valgt Kjøling, dreier du bryterknappen på termostaten (se fig. **3** 1, side 4), til ønsket temperaturområde.

## 7.4 Slå av kjøleboksen



### MERK

Hvis kjøleapparatet ikke skal brukes over lengere tid, rengjres det og man lar skuffene stå litt åpne. På denne måten forhindrer du at det danner seg ubehagelig lukt.

- Åpne skuffen på kjøleboksen.
- For å slå av kjøleboksen, dreier du termostaten (se fig. **3** 1, side 4) til stilling «0».
- ✓ Kjøleboksen er nå slått av.
- Når du skal ta kjøleboksen ut av bruk, kobler du tilkoblingskabelen fra batteriet.

## 7.5 Avriming

Luftfuktigheten felles ut i kjølerommet som rim, noe som reduserer kjøleeffekten. Avrim derfor apparatet til riktig tid.

**PASS PÅ!**

Ikke fjern isbelegget med harde eller skarpe verktøy, som kan skade plasten eller fordampere.

- Ta ut kjølewarene og lagre dem f.eks. i et annet kjøleapparat, slik at de holder seg kalde.
- Slå av kjøleapparat (se kapittel «Slå av kjøleboksen» på side 133) og la skuffene stå åpne.
- Tørk av tinevannet, og bruk gjerne en oppsamlingskål hvis du har dette tilgjengelig.

## 8 Rengjøring og stell

**ADVARSEL!**

Skill apparatet fra strømmettet før rengjøring og stell.

**PASS PÅ! Fare for skade!**

- Kjøleapparatet må aldri rengjøres under rennende vann eller spyles.
- Bruk ikke slipende vaskemidler eller harde gjenstander til rengjøring, da det kan skade kjøleapparatet.

- Rengjør apparatet innvendig og utvendig fra tid til annen med en fuktig klut.
- Påse at ventilasjonsåpningene på apparatet er fri for støv og forurensinger, slik at varmen som oppstår under drift kan ledes bort og apparatet ikke tar skade.

## 9 Garanti

Lovmessig garantitid gjelder. Hvis produktet skulle være defekt, kontakter du produsentens filial i ditt land (du finner adressene på baksiden av veiledningen) eller til din faghandler.

Ved henvendelser vedrørende reparasjon eller garanti, må du sende med følgende dokumentasjon:

- kopi av kvitteringen med kjøpsdato,
- årsak til reklamasjonen eller beskrivelse av feilen.

## 10 Deponering

► Lever emballasje til resirkulering så langt det er mulig.



Når du tar produktet ut av drift for siste gang, må du sørge for å få informasjon om deponeringsforskrifter hos nærmeste resirkuleringsstasjon eller hos din faghandler.

## 11 Utbedring av feil



### ADVARSEL!

Reparasjoner på dette apparatet må kun utføres av fagfolk. Feil reparasjoner kan det føre til betydelige skader.

### Kompressoren går ikke

Kjennetegn	Mulig årsak	Løsning
$U_{KL}=0$ Volt	Brudd i tilkoblingsledningen batteri –elektronikk	Opprett forbindelse
	Hovedbryteren er defekt (hvis en slik er montert)	Bytt hovedbryter
	Ekstra ledningssikringer avbrent (i tillegg dette er montert)	Bytt ledningssikringer
$U_{KL} \leq U_{P\ddot{A}}$	Batterispennning for lav	Lad batteri

Kjennetegn	Mulig årsak	Løsning
Ved forsøk på start: $U_{KL} \leq U_{AV}$	Løs kabelforbindelse	Opprett forbindelse
	Dårlig kontakt (korrosjon)	
	Batterikapasiteten for dårlig	Bytt batteri
	For lite kabelvernsnitt	Bytt kabel (fig. 6, side 5)
Ved forsøk på start: $U_{KL} \geq U_{P\ddot{A}}$	Omgivelsestemperaturen for høy	–
	Utilstrekkelig ventilasjon	Flytt kjøleskapet
	Kondensatoren er skitten	Rengjør kondensatoren
Elektrisk brudd i kompressoren mellom stiftene	Kompressoren er defekt	Reparasjonen kan kun utføres av en godkjent kundeservicebedrift.

$U_{KL}$  Spenning mellom pluss- og minusklemmen på elektronikken

$U_{P\ddot{A}}$  Innkoblingsspenning tilkoblingsklemme elektronikk (se kapittel «Teknisk beskrivelse» på side 130)

$U_{AV}$  Utkoblingsspenning tilkoblingsklemme elektronikk (se kapittel «Teknisk beskrivelse» på side 130)

### Innetemperatur for lav for termostatinnstillingen «MIN»

Kjennetegn	Mulig årsak	Løsning
Kompressoren går kontinuerlig	Termostatføleren kan ikke kontakt med fordampere	Fest føleren
	Kortslutning i termostatledningen	Bytt termostaten
	Termostat defekt	
Kompressoren går lenge	Mye påfrysing i fordamperrummet	



**Kjølebelastningen øker, innetemperaturen stiger**

Kjennetegn	Mulig årsak	Løsning
Kompressoren går lenge/kontinuerlig	Fordamperen iser ned	Fordamperen avrimes
	Isoleringen av kjølerommet ikke tilstrekkelig (fuktighet/støv)	Korriger/bytt tettingen til skuffene
	Omgivelsestemperaturen for høy	
	Utilstrekkelig ventilasjon	Sørg for tilstrekkelig ventilasjon
	Kondensatoren er skitten	Rengjør kondensatoren
	Viften er defekt (hvis en slik er montert)	Bytt viften
Kompressoren går sjelden	Batteriene utslitt	Lade batteri


**Mye støy**

Kjennetegn	Mulig årsak	Løsning
Høy brumming	Komponenten til kjølekretsløpet kan ikke svinge fritt (ligger i veggen)	Bøy komponenten forsiktig av
	Fremmedlegeme innklemt mellom kjølemaskin og vegg	Fjern fremmedlegemer
	Viftestøy	–

**Forstyrrelser på radio eller fjernsyn i kjøretøyet**

Kjennetegn	Mulig årsak	Løsning
Mottaksstøy når kompressoren går	Elektronikk-tilkoblingen til kjøleapparatet er ikke direkte tilkoblet batteriet	Koble kjøleapparatet mest mulig direkte til batteripolene

## 12 Tekniske data

	CD20	CD30
Tilkoblingsspenning:	12 V $\overline{\text{---}}$ /24 V $\overline{\text{---}}$	
Utkoblingsspenning:	10,4 V ved 12 V $\overline{\text{---}}$ 22,8 V ved 24 V $\overline{\text{---}}$	
Innkoblingsspenning:	11,7 V ved 12 V $\overline{\text{---}}$ 24,2 V ved 24 V $\overline{\text{---}}$	
Merkestrøm:	12 V $\overline{\text{---}}$ : 3 A 24 V $\overline{\text{---}}$ : 1,5 A	
Kjøleeffekt:	-2 °C til +12 °C	
Nytteinnhold:	20 l	30 l
Klimaklasse:	N	
Omgivelsestemperatur:	+16 °C til +32 °C	
Luftfuktighet:	Maks. 90 %	
Kontinuerlig kretning:	Maks. 30°	
Kjølemiddelmengde:	38 g	42 g
CO <sub>2</sub> -ekvivalent:	0,054 t	0,060 t
GWP-verdi:	1430	
Mål:	fig. <b>1</b> , side 3	
Vekt:	16,1 kg	18 kg
Test/sertifikater:		

Kjølekretsløpet inneholder R134a.

Inneholder fluoriserte drivhusgasser

Hermetisk lukket innretning

**Lue tämä ohje huolellisesti läpi ennen käyttöönottoa ja säilytä ohje hyvin. Jos myyt tuotteen eteenpäin, anna ohje tällöin edelleen uudelle käyttäjälle.**

Valmistaja ei ota vastuuta vahingoista, jotka aiheutuvat **epäasianmukaisesta käytöstä** tai **väärästä käytöstä**.

## Sisällysluettelo

1	Symbolien selitykset . . . . .	140
2	Turvallisuusohjeet . . . . .	140
3	Toimituskokonaisuus . . . . .	142
4	Tarkoituksenmukainen käyttö . . . . .	143
5	Tekninen kuvaus . . . . .	143
6	Asentaminen . . . . .	144
7	Käyttö . . . . .	145
8	Puhdistaminen ja hoito . . . . .	147
9	Tuotevastuu . . . . .	148
10	Hävittäminen . . . . .	148
11	Vianetsintä . . . . .	148
12	Tekniset tiedot . . . . .	151

# 1 Symbolien selitykset

**VAARA!**

**Turvallisuusohje:** Huomiotta jättäminen aiheuttaa hengenvaaran tai vakavan loukkaantumisen.

**VAROITUS!**

**Turvallisuusohje:** Huomiotta jättäminen voi aiheuttaa hengenvaaran tai vakavan loukkaantumisen.

**HUOMIO!**

**Turvallisuusohje:** Huomiotta jättäminen voi johtaa loukkaantumiseen.

**HUOMAUTUS!**

Huomiotta jättäminen voi johtaa materiaalivaurioihin ja haitata tuotteen toimintaa.

**OHJE**

Tuotteen käyttöä koskevia lisätietoja.

## 2 Turvallisuusohjeet

### 2.1 Yleinen turvallisuus

**VAROITUS!**

- Laitetta ei saa ottaa käyttöön, jos siinä on näkyviä vaurioita.
- Jos tämän laitteen liitäntäjohto vaurioituu, tulee valmistajan tai valtuutetun asiakaspalvelun tai vastaavasti pätevän henkilön vaihtaa se vaaran välttämiseksi.
- Ainoastaan ammattilaiset saavat korjata tätä laitetta. Epäasianmukaisista korjauksista saattaa aiheutua huomattavia vaaroja.
- 8-vuotiaat tai sitä vanhemmat lapset sekä henkilöt, joiden fyysiset, sensoriset tai psyykkiset kyvyt ovat rajoittuneita tai jotka ovat kokemattomia ja/tai tietämättömiä, voivat käyttää tätä laitetta valvonnan alaisina tai kun heille on opetettu laitteen turvallinen käyttö ja he ovat ymmärtäneet siitä aiheutuvat vaarat.

- Lapset eivät saa puhdistaa laitetta tai tehdä käyttäjähuoltoa ilman valvontaa.
- Lapset eivät saa leikkiä laitteella.
- Lapsia tulee valvoa sen varmistamiseksi, etteivät he leiki laitteella.
- Säilytä ja käytä laitetta alle 8-vuotiaiden lasten ulottumattomissa.
- Älä säilytä laitteessa mitään räjähdysalttiita tavaroita kuten esim. suihkepurkkeja, joissa on palavaa punneainetta.



### **HUOMIO!**

- Irrota laite verkosta
  - ennen jokaista puhdistusta tai hoitoa
  - jokaisen käytön jälkeen
- Elintarvikkeita saa säilyttää vain alkuperäispakkauksissa tai tarkoitukseen sopivissa astioissa.



### **HUOMAUTUS!**

- Verratkaa tyyppikilven jännitetietoja käytettävissä olevaan energiansyöttöön.
- Liitä laite ainoastaan DC-liitäntäjohdolla ajoneuvon DC-pistorasiaan (esim. savukkeensytyttimeen).
- Älä ota pistoketta koskaan pois pistorasiasta johdosta vetämällä.
- Irrrottakaa kylmälaitteenne ja muut sähköä käyttävät laitteet akusta ennen pikalaturin liittämistä.
- Irrota liitäntä tai sammuta ylmälaitte, kun sammutat moottorin. Muuten akku voi purkautua.
- Kylmälaite ei sovi syövyttävien tai liuotainainepitoisten aineiden kuljettamiseen.
- Tämän kylmälaitteen erityksessä on palavaa syklopentaania. Eristysmateriaalin kaasut vaativat erityisen hävittämismenetelmän. Vie kylmälaite käyttöiän täytyttyä asianmukaiseen hävityspisteeseen.

## **2.2 Laitteen käyttöturvallisuus**



### **HUOMIO!**

- Huolehdi ennen laitteen käyttöönottoa siitä, että johto ja pistoke ovat kuivia.



### HUOMAUTUS!

- Älä käytä kylmälaukun sisällä mitään sähkölaitteita, vaikka valmistaja näitä suosittelisikin.
- Älkää asettako laitetta avoliekkien tai muiden lämpölähteiden (lämmitys, voimakas auringonpaiste, kaasu-uunit jne.) lähelle.
- **Ylikuumenemisvaara!**  
Huolehtikaa aina siitä, käytössä syntyvä lämpö saadaan johdettua riittävän hyvin pois. Huolehtikaa siitä, että laite on riittävän etäällä seinistä tai esineistä, jotta ilma pääsee kiertämään.
- Huolehtikaa siitä, että tuuletusrakojia ei peitetä.
- Älkää laittako sisäästiaan minkäänlaisia nesteitä tai jäätä.
- Älkää upottako laitetta koskaan veteen.
- Suojatkaa laite ja sen johto kuumuudelta ja kosteudelta.
- Kuorma-autokäytössä:  
Tyhjentäkää kylmälaatikko ja kytkekää laite pois päältä (kts. kap. "Kylmälaatikon pois päältä kytkeminen" sivulla 146) ennen ohjaamon kallistamista.

## 3 Toimituskokonaisuus

Määrä	Nimitys
1	Lokerokylmälaatikko
4	Kiinnityskulma
1	Käyttöohje

## 4 Tarkoituksenmukainen käyttö

Lokerokylmälaatikot CD20 ja CD30 sopivat liikkuvaan käyttöön kuorma-autossa, veneessä tai matkailuvaunussa. Ne on suunniteltu korkeintaan 30°:een jatkuvalle kallistukselle.

Optimaalinen jäähdytysteho saavutetaan varmimmin ympäröivän lämpötilan ollessa +16 °C – +32 °C ja suhteellisen ilmankosteuden enintään 90 %.



### OHJE

Kääntykää valmistajan puoleen ennen laitteen altistamista äärimmäisille rasituksille.



### HUOMIO! Terveysriski!

- Ole hyvä ja tarkista, vastaako laitteen jäähdytysteho niiden elintarvikkeiden tai lääkkeiden vaatimuksia, joita haluat jäähdyttää.
- Elintarvikkeita saa säilyttää vain alkuperäispakkauksissa tai tarkoitukseen sopivissa astioissa.

## 5 Tekninen kuvaus

Jäähdytyslaite voi jäähdyttää tuotteita lämpötila-alueelle –2 °C – +12 °C.

Kylmälaatikossa on akkutarkkailulaite, joka kytkee kompressorin pois ja päälle ja suojaa siten akkua ja kompressoria. Kompressorin liittimistä mitattavat päälle- ja poiskytkenäpisteet ilmoitetaan kappaleessa kap. ”Tekniset tiedot” sivulla 151.

### 5.1 Käyttölaitteet

#### Nro kuvassa

kuva **3**, Selitys  
sivulla 4

1 Termostaatti

## 6 Asentaminen



### HUOMAUTUS!

- Huolehtikaa siitä, että plusjohto liitetään plusnapaan ja miinusjohto miinusnapaan.
- Varmistakaa asennuspaikkaa valitessanne, että nesteyttimen lämmitetty ilma voi poistua hyvin.



### OHJE

- Jännite- ja tehohäviöiden välttämiseksi johtojen mitan tulisi olla mahdollisimman lyhyt eikä siinä tulisi olla katkoja. Välttääksää siksi lisäkytkimiä, pistokkeita tai jakorasioita.
- Voit irrottaa kompressorin kylmälaitteesta ja asentaa eri paikkaan kylmälaitteeseen tai siitä erilleen (kuva **2**, sivulla 3). Huomaa tällöin kylmäainejohtimen pituus 1,5 m (CD 20)/1,5 m (CD 30).

Noudata seuraavia ohjeita:

- Määritä johdon tarvittava läpimitta sen pituutta vastaavasti: kuva **6**, sivulla 5.  
Selitys kuva **6**, sivulla 5

Koordinaattiakseli	Merkitys	Yksikkö
l	Johdon pituus	m
∅	Johdon poikkileikkaus	mm <sup>2</sup>

Liitätkää jäähdytyslaite mahdollisuuksien mukaan suoraan akun napoihin tai liitäntään, jossa on vähintään 15 A (12 V); 7,5 A (24 V) -suojaus.

- Käyttäkää laitteessa olevia ruuvi kiinnityskohtia (kts. kuva **4**, sivulla 4 ja kuva **5**, sivulla 4) jäähdytyslaitteen ruuvaamiseksi lujasti kiinni asennuspaikkaan.



## 7 Käyttö



### OHJE

Puhdistakaa uusi jäähdytyslaite hygieenisistä syistä kostealla liinalla sisältä ja ulkoa ennen laitteen käyttöön ottamista (kts. myös kap. "Puhdistaminen ja hoito" sivulla 147).

### 7.1 Vinkejä energian säästämiseen

- Valitkaa asennuspaikka, joka on hyvin tuuletettu ja suojassa auringonpaisteelta.
- Antakaa lämminten ruokien jäähtyä ennen niiden säilyttämistä laitteessa kylminä.
- Älkää avatko kylmälaitetta tarpeettoman usein.
- Älä jätä jäähdytyslaitetta auki pidemmäksi ajaksi kuin tarpeen.
- Sulattakaa jäähdytyslaite heti, kun siihen on muodostunut jääkerros.
- Vältä kää tarpeettoman matalaa sisälämpötilaa.
- Puhdistakaa kondensaattori säännöllisin väliajoin epäpuhtauksista (pöly jne.).

### 7.2 Kylmälaatikon päälle kytkeminen

- Avatkaa kylmälaatikon lokero.
- Kääntäkää termostaatin nuppia (kts. kuva **3** 1, sivulla 4) myötäpäivään kylmälaatikon kytkemiseksi päälle.
- ✓ Kylmälaatikko alkaa jäähdyttää sisätilaansa.



### OHJE

Huolehtikaa siitä, että kylmälaatikossa on vain esineitä tai tuotteita, jotka saa jäähdyttää tai lämmittää valittuun lämpötilaan.

## 7.3 Lämpötilan valitseminen

Termostaatin kytkinruppi (kts. kuva **3** 1, sivulla 4) näyttää valitun lämpötila-alueen.

Kytkinrupin asento	Lämpötila-alue (riippuu ympäristön lämpötilasta)	
	CD 20	CD 30
MAX	n. -2 °C sisätilassa	
MIN	n. +12 °C sisätilassa	

- Jos haluatte valita lämpötilan jäähtymykseen, kiertäkää termostaatin kytkinruppia (kts. kuva **3** 1, sivulla 4), kunnes haluttu lämpötila-alue on saavutettu.

## 7.4 Kylmälaatikon pois päältä kytkeminen



### OHJE

Jos haluatte poistaa jäähdytyslaitteen pidemmäksi ajaksi käytöstä, puhdistakaa se ja jättäkää lokero hieman auki. Tällä tavalla estätte epämiellyttävien hajujen muodostumisen.

- Avatkaa kylmälaatikon lokero.
- Kääntäkää termostaatin nuppi (kts. kuva **3** 1, sivulla 4) asentoon "0" kylmälaatikon kytkemiseksi pois päältä.
- ✓ Kylmälaatikko on kytketty pois päältä.
- Jos poistatte kylmälaatikon käytöstä, irrottakaa liitäntäjohto akusta.

## 7.5 Sulattaminen

Ilmankosteus voi muodostaa jäähdytyslaitteen sisälle jäätä, joka heikentää jäähdytys-tehoa. Sulattakaa laite siksi ajoissa.



### HUOMAUTUS!

Älkää poistako jääkerrosta koskaan kovilla tai terävillä työkaluilla, jotka voivat vahingoittaa muovia tai haihdutinta.

- Ottakaa jäähdytettävät tuotteet pois ja varastoikaa ne niiden kylmänä pitämiseksi toiseen jäähdytyslaitteeseen.
- Kytkekää jäähdytyslaite pois päältä (kts. kap. "Kylmälaatikon pois päältä kytkeminen" sivulla 146) ja jättäkää lokero auki.
- Pyyhkikää sulamisvesi pois tai tyhjentäkää – jos sellainen on – keräyskaukalo.

## 8 Puhdistaminen ja hoito



### VAROITUS!

Irrota laite verkosta aina ennen puhdistusta ja huoltoa.



### HUOMAUTUS! Vaurioitumisvaara!

- Älä puhdista kylmälaitetta koskaan juoksevan veden alla tai tiskivedessä.
- Älä käytä puhdistamiseen kovia puhdistusaineita tai kovia esineitä, koska ne voivat vahingoittaa kylmälaitetta.

- Puhdistakaa laite toisinaan sisältä ja ulkoa kostealla liinalla.
- Varmista, että laitteen ilmanotto- ja poistoaukot ovat puhtaita pölystä ja liasta, jotta toiminnassa syntyvä lämpö voidaan johtaa pois ja laite ei pääse vaurioitumaan.

## 9 Tuotevastuu

Laitetta koskee lakisääteinen takuu-aika. Jos tuote sattuu olemaan viallinen, käänny maasi valmistajan toimipisteen puoleen (osoitteet käyttöohjeen takasivulla) tai ota yhteyttä omaan ammattikauppiaseesi.

Korjaus- ja takuukäsittelyä varten lähetä mukana seuraavat asiakirjat:

- kopio ostolaskusta, jossa näkyy ostopäivä,
- valitusperuste tai vikakuvaus.

## 10 Hävittäminen

- Vie pakkausmateriaali mahdollisuuksien mukaan vastaavan kierrätysjätteen joukkoon.



Jos poistat tuotteen lopullisesti käytöstä, pyydä tietoa sen hävittämistä koskevista määräyksistä lähimmästä kierrätyskeskuksesta tai ammattiliikkeestäsi.

## 11 Vianetsintä



### VAROITUS!

Ainoastaan ammattilaiset saavat korjata tätä laitetta. Epäasianmukaisista korjauksista saattaa aiheutua huomattavia vaaroja.

### Kompressori ei käy

Ilmiö	Mahdollinen syy	Ratkaisu
$U_{NAV} = 0$ voltia	Katko liitäntäjohtimessa akku – elektroniikka	Luo liitäntä
	Pääkytkin rikki (jos sellainen on)	Vaihda pääkytkin
	Lisäjohtosulake palanut (jos sellainen on)	Vaihda johtosulake
$U_{NAV} \leq U_{Päällä}$	Akkujännite liian matala	Lataa akku

Ilmiö	Mahdollinen syy	Ratkaisu
Käynnistysyrityksessä: $U_{NAV} \leq U_{Pois}$	Löysä johtoliitos	Luo liitäntä
	Huono kontakti (korroosio)	
	Akkukapasiteetti liian vähäinen	Vaihda akku
	Johdon läpimitta liian pieni	Vaihda johto (kuva <b>6</b> , sivulla 5)
Käynnistysyrityksessä: $U_{NAV} \geq U_{Päällä}$	Ympäristön lämpötila liian korkea	–
	Ilman syöttö ja poisto ei ole riittävä	Siirrä jääkaappia
	Kondensaattori likaantunut	Puhdista kondensaattori
Sähköinen katkos kompressorissa tappien välillä	Kompressorin rikki	Vain valtuutettu asiakaspalveluliike voi korjata vian.

$U_{NAV}$  Jännite elektroniikan plus- ja miinusnavan välillä

$U_{Päällä}$  Päällekytkentäjännite elektroniikan liittimessä (kts. kap. "Tekninen kuvaus" sivulla 143)

$U_{Pois}$  Poiskytkentäjännite elektroniikan liittimessä (kts. kap. "Tekninen kuvaus" sivulla 143)

### Sisälämpötila liian kylmä termostaattiasennossa "MIN"

Ilmiö	Mahdollinen syy	Ratkaisu
Kompressorin jatkuva	Termostaattianturilla ei ole kontaktia haihduttimeen	Kiinnitäkää anturi
	Oikosulku termostaattijohtimessa	Vaihtakaa termostaatti
	Termostaatti rikki	
Kompressorin pitkä	Haihdutinlokerossa on pakastettu suuria määriä	

**Jäähdytysteho heikkenee, sisälämpötila nousee**

<b>Ilmiö</b>	<b>Mahdollinen syy</b>	<b>Ratkaisu</b>
Kompressori käy pitkään/jatkuvasti	Haihduutin jäänyt	Sulattakaa haihduutin
	Jäähdytystilan eristys ei ole riittävä (kostea/märkä)	Säätäkää/vaihtakaa loke-ron tiiviste
	Ympäristön lämpötila liian korkea	
	Ilman syöttö ja poisto ei ole riittävä	Huolehtikaa riittävästä ilmanvaihdosta
	Kondensaattori likaantunut	Puhdistakaa kondensaattori
	Tuuletin rikki (jos sellainen on)	Vaihtakaa tuuletin
Kompressori käy harvoin	Akkukapasiteetti käytetty loppuun	Ladatkaa akku


**Epätavallisia ääniä**

<b>Ilmiö</b>	<b>Mahdollinen syy</b>	<b>Ratkaisu</b>
Kovaa jyrinää	Jokin jäähdytyskierron osa ei pääse heilumaan vapaasti (ottaa kiinni seinään)	Väännä osaa varovasti
	Vieras esine kylmäkoneen ja seinän välissä	Ota vieras esine pois
	Tuuletinmelua	–

**Radio- tai televisiohäiriöitä ajoneuvossa**

<b>Ilmiö</b>	<b>Mahdollinen syy</b>	<b>Ratkaisu</b>
Vastaanottohäiriöitä, kun kompressori käy	Jäähdytyslaitteen sähköliitintä ei ole liitetty suoraan akkuun	Liittäkää jäähdytyslaite mahdollisuuksien mukaan suoraan akun napoihin

## 12 Tekniset tiedot

	CD 20	CD 30
Liitäntäjännite:	12 V $\overline{\text{---}}$ /24 V $\overline{\text{---}}$	
Poiskytkentäjännite:	10,4 V – 12 V $\overline{\text{---}}$ 22,8 V – 24 V $\overline{\text{---}}$	
Päällekytkentäjännite:	11,7 V – 12 V $\overline{\text{---}}$ 24,2 V – 24 V $\overline{\text{---}}$	
Nimellisvirta:	12 V $\overline{\text{---}}$ : 3 A 24 V $\overline{\text{---}}$ : 1,5 A	
Jäähdytysteho:	-2 °C ... +12 °C	
Hyötytilavuus:	20 l	30 l
Ilmastoluokka:	N	
Ympäristön lämpötila:	+16 °C ... +32 °C	
Ilmankosteus:	maks. 90 %	
Jatkuva kallistus:	maks. 30°	
Jäähdytysainemäärä:	38 g	42 g
CO <sub>2</sub> -ekvivalentti:	0,054 t	0,060 t
Vaikutus ilmaston lämpenemiseen (GWP):	1430	
Mitat:	kuva <b>1</b> , sivulla 3	
Paino:	16,1 kg	18 kg
Tarkastus/sertifikaatit:		

Jäähdytyskierto sisältää R134a:ta.

Sisältää fluorattuja kasviuonekaasuja

Ilmatiiviisti suljetulla laitteella

**Прочтите данную инструкцию перед вводом в эксплуатацию и сохраните ее. В случае передачи прибора передайте инструкцию следующему пользователю.**

Изготовитель не несет ответственности за ущерб, вызванный **использованием не по назначению** или **неправильным управлением**.

## Оглавление

1	Пояснение символов . . . . .	153
2	Указания по технике безопасности . . . . .	153
3	Объем поставки . . . . .	156
4	Использование по назначению . . . . .	156
5	Техническое описание . . . . .	157
6	Монтаж холодильника . . . . .	158
7	Управление холодильником . . . . .	159
8	Чистка и уход . . . . .	161
9	Гарантия . . . . .	162
10	Утилизация . . . . .	162
11	Устранение неисправностей . . . . .	162
12	Технические данные . . . . .	165



# 1 Пояснение символов



## **ОПАСНОСТЬ!**

**Указания по технике безопасности:** Несоблюдение ведет к смертельному исходу или тяжелым травмам.



## **ПРЕДУПРЕЖДЕНИЕ!**

**Указания по технике безопасности:** Несоблюдение может привести к смертельному исходу или тяжелым травмам.



## **ОСТОРОЖНО!**

**Указания по технике безопасности:** Несоблюдение может привести к травмам.



## **ВНИМАНИЕ!**

Несоблюдение может привести к повреждениям и нарушить работу продукта.



## **УКАЗАНИЕ**

Дополнительная информация по управлению продуктом.

# 2 Указания по технике безопасности

## 2.1 Общая безопасность



### **ПРЕДУПРЕЖДЕНИЕ!**

- Запрещается вводить прибор в работу, если он имеет видимые повреждения,
- В случае повреждения питающего кабеля данного прибора он – во избежание опасностей – должен быть заменен изготовителем, сервисным центром или имеющим аналогичную квалификацию персоналом.
- Ремонт данного прибора разрешается выполнять только специалистам. Неправильно выполненный ремонт может приводить к серьезным опасностям.

- Этот прибор может использоваться детьми с 8-ми лет и старше, а также лицами с ограниченными физическими, сенсорными и умственными способностями или при недостатке необходимого опыта и/или знаний только под присмотром или после прохождения инструктажа по безопасному использованию прибора, если они поняли опасности, которые при этом могут возникнуть.
- Запрещается выполнять очистку и пользовательское техническое обслуживание детям без присмотра.
- Детям запрещается играть с прибором.
- За детьми необходимо постоянно следить, чтобы не допустить их игры с прибором.
- Поэтому храните и используйте прибор в месте, недоступном для детей младше 8-ми лет.
- Не храните в приборе взрывоопасные вещества, например, аэрозольные баллоны с горючим газами-вытеснителями.

**ОСТОРОЖНО!**

- Отсоединяйте прибор от сети
  - перед каждой чисткой и уходом
  - после каждого использования
- Продукты питания разрешается хранить только в оригинальной упаковке или подходящих емкостях.

**ВНИМАНИЕ!**

- Сравните значения напряжения, указанные на заводской табличке, с характеристиками имеющегося источника питания.
- Присоединяйте прибор только питающим кабелем для постоянного тока к бортовой розетке постоянного тока (например, прикуривателю) в автомобиле.
- Не вытаскивайте штекер из розетки за питающий кабель.
- Отсоедините холодильник и другие потребители от аккумуляторной батареи, прежде чем присоединить устройство для ускоренного заряда.
- Прервите соединение или выключите холодильник перед выключением двигателя. В противном случае аккумуляторная батарея может разрядиться.
- Холодильник не предназначен для транспортировки едких или содержащих растворители веществ.

- Этот холодильный аппарат содержит в своей изоляции горючий циклопентан. Газы в изоляционном материале требуют особого метода утилизации. После окончания срока службы холодильного аппарата сдайте его должным образом в центр по утилизации.

## 2.2 Техника безопасности при работе прибора



### ОСТОРОЖНО!

- Перед вводом в эксплуатацию убедитесь в том, что питающий кабель и штекер сухие.



### ВНИМАНИЕ!

- Не используйте электрические приборы внутри холодильника, за исключением случаев, когда эти приборы рекомендованы для этого изготовителем.
- Не устанавливайте прибор вблизи открытого огня или других источников тепла (радиаторов отопления, сильных солнечных лучей, газовых печей и т. п.).
- **Опасность перегрева!**  
Постоянно следите за тем, чтобы образующееся при работе тепло могло быть надежно отведено. Прибор должен всегда находиться на достаточном расстоянии до стен или иных предметов, чтобы обеспечивалась хорошая циркуляция воздуха.
- Следите за тем, чтобы не перекрывались вентиляционные отверстия.
- Запрещается заполнять внутреннее пространство жидкостями или льдом.
- Не погружайте прибор в воду.
- Предохраняйте прибор и кабели от действия жары и влаги.
- Для эксплуатации в грузовых автомобилях:  
Перед опрокидыванием кабины опорожните холодильник и выключите его (см. гл. «Выключение холодильника» на стр. 160).

### 3 Объем поставки

Кол-во	Наименование
1	Ящичный холодильник
4	Крепежный уголок
1	Инструкция по монтажу и эксплуатации

### 4 Использование по назначению

Ящичные холодильники CD 20 и CD 30 предназначены для мобильного использования в грузовых автомобилях, катерах или домах-фургонках и рассчитаны на длительный крен не более 30°.

Оптимальная мощность охлаждения обеспечивается при температуре окружающей среды от +16 °С до +32 °С, а также при влажности воздуха максимум 90 %.



#### УКАЗАНИЕ

Прежде, чем подвергать холодильник экстремальным нагрузкам, следует связаться с изготовителем.



#### ОСТОРОЖНО! Опасность для здоровья!

- Проверьте, соответствует ли холодопроизводительность прибора требованиям продуктов питания или медикаментов, которые нужно охладить.
- Продукты питания разрешается хранить только в оригинальной упаковке или подходящих емкостях.

## 5 Техническое описание

Холодильники могут охлаждать продукты в диапазоне температур от  $-2^{\circ}\text{C}$  до  $+12^{\circ}\text{C}$  и поддерживать их в охлажденном состоянии.

Холодильник оснащен защитным реле, которое выключает и снова включает компрессор, тем самым защищая аккумуляторную батарею и компрессор от повреждений. Точки включения и выключения, измеренные на присоединительных зажимах компрессора, приведены в гл. «Технические данные» на стр. 165.

### 5.1 Органы управления

№ на рис. <b>3</b> , стр. <b>4</b>	Пояснение
1	Термостат

## 6 Монтаж холодильника



### ВНИМАНИЕ!

- Убедитесь в том, что положительный кабель присоединен к положительному полюсу, а отрицательный – к отрицательному.
- При выборе места монтажа убедитесь в том, что нагретый конденсатором воздух может хорошо отводиться.



### УКАЗАНИЕ

- Во избежание потерь напряжения и, тем самым, мощности кабеля должны быть как можно короче. Поэтому не используйте дополнительные выключатели, штекеры или распределительные коробки.
- Вы можете демонтировать компрессор с холодильника и установить его в другом месте на холодильнике или отдельно от него (рис. **2**, стр. 3). Учитывайте при этом длину трубопровода подачи хладагента – 1,5 м (CD 20)/1,5 м (CD 30).

Соблюдайте следующие указания:

- Определите необходимое поперечное сечение кабеля в зависимости от его длины согласно рис. **6**, стр. 5.

Пояснения к рис. **6**, стр. 5

Ось координат	Значение	Единица измерения
l	Длина кабеля	м
∅	Поперечное сечение кабеля	мм <sup>2</sup>

По возможности, присоединяйте холодильник непосредственно к аккумуляторной батарее или к гнезду, защищенным предохранителем на 15 А (12 В)/7,5 А (24 В).

- Для стационарного крепления холодильника в месте монтажа используйте расположенные на боковых сторонах прибора точки привинчивания (рис. **4**, стр. 4 и рис. **5**, стр. 4).

## 7 Управление холодильником



### УКАЗАНИЕ

Перед вводом нового холодильника в работу его, в гигиенических целях, следует протереть снаружи и изнутри влажной тряпкой (см. также гл. «Чистка и уход» на стр. 161).

### 7.1 Советы по энергосбережению

- Выбирайте хорошо проветриваемое, защищенное от солнечных лучей место применения.
- Дайте теплым блюдам охладиться, прежде чем поддерживать их в холодном состоянии в холодильнике.
- Не открывайте холодильник чаще, чем это действительно необходимо.
- Не оставляйте холодильник открытым дольше, чем это действительно необходимо.
- Оттаивайте холодильник, как только образовался слой льда.
- Избегайте излишне низкую внутреннюю температуру!
- Регулярно очищайте конденсатор от загрязнений (пыли и т. п.).

### 7.2 Включение холодильника

- Откройте ящик холодильника.
- Для включения холодильника поверните кнопку термостата (рис. **3** 1, стр. 4) по часовой стрелке.
- ✓ Холодильник начинает охлаждать внутреннее пространство.



### УКАЗАНИЕ

Следите за тем, чтобы в холодильнике находились только предметы и продукты, которые разрешается охлаждать или разогревать до выбранной температуры.

### 7.3 Выбор температуры

Включающая кнопка на термостате (рис. **3** 1, стр. 4) указывает выбранный диапазон температур.

Положение включающей кнопки	Диапазон температур (в зависимости от окружающей температуры)	
	CD 20	CD 30
MAX	ок. -2 °C в камере	
MIN	ок. +12 °C в камере	

- Если Вы хотите выбрать температуру для охлаждения, то вращайте включающую кнопку на термостате (рис. **3** 1, стр. 4) до тех пор, пока не будет достигнут требуемый диапазон температур.

### 7.4 Выключение холодильника



#### УКАЗАНИЕ

Если Вы предполагаете не использовать холодильник длительное время, то очистите его и оставьте ящик слегка открытым. Тем самым Вы предотвращаете образование неприятных запахов.

- Откройте ящик холодильника.
- Для выключения холодильника поверните кнопку термостата (рис. **3** 1, стр. 4) в положение «0».
- ✓ Холодильник выключен.
- При выводе холодильника из эксплуатации отсоедините питающий кабель от батареи.



## 7.5 Оттаивание холодильника

Влага из воздуха может выпадать в камере холодильника в виде снеговой шубы, которая уменьшает холодопроизводительность. Поэтому своевременно оттаивайте прибор.



### **ВНИМАНИЕ!**

Для удаления слоя льда не используйте твердые или острые инструменты, которые могут повредить пластмассу или испаритель.

- Выньте охлаждаемые продукты и, при необходимости, переложите их в другой холодильник, чтобы они оставались холодными.
- Выключите холодильник (см. гл. «Выключение холодильника» на стр. 160) и оставьте ящик открытым.
- Вытрите оттаявшую воду или – если имеется – опорожните поддон.

## 8 Чистка и уход



### **ПРЕДУПРЕЖДЕНИЕ!**

Перед чисткой и уходом всегда отсоединяйте прибор от сети.



### **ВНИМАНИЕ! Опасность повреждения!**

- Категорически запрещается чистить прибор под струей воды или даже в емкости с водой.
- Не используйте для чистки абразивные чистящие средства или острые предметы, т. к. они могут привести к повреждениям холодильника.

- Периодически очищайте прибор снаружи и изнутри влажной тряпкой.
- Убедитесь в том, что приточно-вытяжные вентиляционные отверстия очищены от пыли загрязнений, чтобы можно было отвести возникающее при работе тепло и предотвратить опасность повреждения прибора.

## 9 Гарантия

Действителен установленный законом срок гарантии. Если продукт неисправен, обратитесь в представительство изготовителя в Вашей стране (адреса см. на оборотной стороне инструкции) или в торговую организацию.

В целях проведения ремонта или гарантийного обслуживания Вы должны также послать следующие документы:

- копию счета с датой покупки,
- причину рекламации или описание неисправности.

## 10 Утилизация

- По возможности, выкидывайте упаковочный материал в мусор, подлежащий вторичной переработке.



Если Вы окончательно выводите продукт из эксплуатации, то получите информацию в ближайшем центре по вторичной переработке или в торговой сети о соответствующих предписаниях по утилизации.

## 11 Устранение неисправностей



### ПРЕДУПРЕЖДЕНИЕ!

Ремонт данного прибора разрешается выполнять только специалистам. Неправильно выполненный ремонт может приводить к серьезным опасностям.

### Компрессор не работает

Неисправность	Возможная причина	Устранение
$U_3 = 0\text{ В}$	Обрыв соединительного кабеля батарея – электронный модуль	Восстановить соединение
	Неисправен главный выключатель (если имеется)	Заменить главный выключатель
	Перегорел дополнительный линейный предохранитель (если имеется)	Заменить линейный предохранитель
$U_3 \leq U_{\text{вкл}}$	Слишком низкое напряжение батареи	Зарядить батарею

Неисправность	Возможная причина	Устранение
Попытка пуска с $U_3 \leq U_{\text{выкл}}$	Ослабленное кабельное соединение Плохой контакт (коррозия)	Восстановить соединение
	Слишком низкая емкость батареи	Заменить батарею
	Слишком низкое поперечное сечение кабеля	Заменить кабель (рис. <b>6</b> , стр. 5)
Попытка пуска с $U_3 \geq U_{\text{вкл}}$	Слишком высокая температура окружающей среды	–
	Недостаточная приточно-вытяжная вентиляция	Переставить холодильник
	Загрязнен конденсатор	Очистить конденсатор
Электрический разрыв в компрессоре между штифтами	Компрессор неисправен	Ремонт разрешается выполнять только авторизованному сервисному центру.

$U_3$	Напряжение между положительным и отрицательным выводом электронного модуля
$U_{\text{вкл}}$	Напряжение включения присоединительного зажима электронного модуля (см. гл. «Техническое описание» на стр. 157)
$U_{\text{выкл}}$	Напряжение выключения присоединительного зажима электронного модуля (см. гл. «Техническое описание» на стр. 157)

### Слишком низкая внутренняя температура в положении термостата «MIN»

Неисправность	Возможная причина	Устранение
Компрессор работает непрерывно	Отсутствует контакт датчика термостата с испарителем	Закрепить датчик
	Короткое замыкание в линии термостата	Заменить термостат
	Неисправен термостат	–
Компрессор работает долго	В морозильной камере было заморожено большое количество продуктов	–

## Холодопроизводительность уменьшается, внутренняя температура растет

Неисправность	Возможная причина	Устранение
Компрессор работает долго/непрерывно	Обледенел испаритель	Оттаять испаритель
	Недостаточная изоляция холодильной камеры (влажная/мокрая)	Подрегулировать/заменить уплотнение ящика
	Слишком высокая температура окружающей среды	–
	Недостаточная приточно-вытяжная вентиляция	Переставить холодильник
	Загрязнен конденсатор	Очистить конденсатор
	Неисправен вентилятор	Заменить вентилятор
Компрессор работает редко	Батарея разряжена	Зарядить батарею


## Необычные шумы

Неисправность	Возможная причина	Устранение
Громкое гудение	Деталь холодильного контура не может свободно колебаться (прилегает к стенке)	Осторожно изогнуть деталь
	Между холодильной машиной и стенкой зажаты инородные предметы	Удалить инородные предметы
	Шум вентилятора	–

## Помехи радио- или телевизионному приему в автомобиле

Неисправность	Возможная причина	Устранение
Помехи приему при работе компрессора	Разъем электроники холодильника не присоединен непосредственно к батарее.	По возможности, присоединяйте холодильник непосредственно к полюсу батареи.

## 12 Технические данные

	CD20	CD30
Подводимое напряжение:	12 В $\overline{=}$ /24 В $\overline{=}$	
Напряжение отключения:	10,4 V при 12 В $\overline{=}$ 22,8 V при 24 В $\overline{=}$	
Напряжение включения:	11,7 V при 12 В $\overline{=}$ 24,2 V при 24 В $\overline{=}$	
Номинальный ток:	12 В $\overline{=}$ : 3 A 24 В $\overline{=}$ : 1,5 A	
Холодопроизводительность:	от -2 °C до +12 °C	
Полезный объем:	20 м <sup>3</sup>	30 м <sup>3</sup>
Климатический класс:	N	
Температура окружающей среды:	от +16 °C до +32 °C	
Относительная влажность воздуха:	макс. 90 %	
Постоянный крен:	макс. 30°	
Количество хладагента:	38 г	42 г
Эквивалент CO <sub>2</sub> :	0,054 т	0,060 т
Потенциал глобального потепления (GWP):	1430	
Размеры:	рис. <b>1</b> , стр. 3	
Вес:	16,1 кг	18 кг
Испытания/сертификаты:		

Холодильный контур содержит R134a.

Содержит фторированные парниковые газы

Герметически закрытая конструкция

**Przed uruchomieniem urządzenia należy uważnie przeczytać niniejszą instrukcję. Instrukcję należy zachować. W razie przekazywania urządzenia należy ją przekazać kolejnemu nabywcy.**

Producent nie odpowiada za szkody powstałe w **wyniku użytkowania niezgodnego z przeznaczeniem** lub **niewłaściwej obsługi**.

## Spis treści

1	Objaśnienie symboli . . . . .	167
2	Zasady bezpieczeństwa . . . . .	167
3	Zakres dostawy . . . . .	170
4	Użytkowanie zgodne z przeznaczeniem . . . . .	170
5	Opis techniczny . . . . .	171
6	Montaż lodówki . . . . .	172
7	Obsługa lodówki. . . . .	173
8	Czyszczenie i pielęgnacja. . . . .	175
9	Gwarancja . . . . .	176
10	Utylizacja . . . . .	176
11	Usuwanie usterek . . . . .	176
12	Dane techniczne . . . . .	179

# 1 Objąśnienie symboli

**NIEBEZPIECZEŃSTWO!**

**Wskazówka dot. bezpieczeństwa:** Nieprzestrzeganie powoduje śmierć lub ciężkie obrażenia ciała.

**OSTRZEŻENIE!**

**Wskazówka dot. bezpieczeństwa:** Nieprzestrzeganie może prowadzić do śmierci lub ciężkich obrażeń ciała.

**OSTROŻNIE!**

**Wskazówka dot. bezpieczeństwa:** Nieprzestrzeganie może prowadzić do obrażeń ciała.

**UWAGA!**

Nieprzestrzeganie może prowadzić do powstania szkód materialnych i zakłóceń w działaniu produktu.

**WSKAZÓWKA**

Informacje uzupełniające dot. obsługi produktu.

## 2 Zasady bezpieczeństwa

### 2.1 Ogólne bezpieczeństwo

**OSTRZEŻENIE!**

- Uruchamianie urządzenia jest zabronione, gdy ma ono widoczne uszkodzenia.
- Gdy przewód zasilania ulegnie uszkodzeniu, musi zostać wymieniony przez producenta, jego serwis lub podobnie wykwalifikowaną osobę, aby uniknąć zagrożenia.
- Napraw mogą dokonywać tylko odpowiednio wykwalifikowane osoby. Niefachowe naprawy mogą spowodować poważne niebezpieczeństwo.

- Dzieci od 8 roku życia i osoby o ograniczonych możliwościach fizycznych, sensorycznych lub umysłowych oraz/lub osoby niedysponujące stosowną wiedzą i doświadczeniem mogą użytkować to urządzenie, o ile osoby te znajdują się pod nadzorem lub zostały poinstruowane w zakresie bezpiecznego użytkowania urządzenia i zrozumiały ewentualne zagrożenia wynikające z niewłaściwego użytkowania.
- Dzieci nie mogą również czyścić i konserwować urządzenia bez nadzoru.
- Dzieci nie mogą bawić się urządzeniem.
- Należy dopilnować, aby dzieci nie bawiły się urządzeniem.
- Urządzenie należy stosować i przechowywać poza zasięgiem dzieci poniżej 8 roku życia.
- W urządzeniu nie wolno przechowywać substancji wybuchowych, np. pojemników aerozolowych z palnym gazem wyłaczającym.

**OSTROŻNIE!**

- Urządzenie należy odłączyć od sieci
  - przed każdym czyszczeniem i konserwacją
  - po każdym użyciu
- Środki spożywcze mogą być przechowywane tylko w oryginalnych opakowaniach lub odpowiednich pojemnikach.

**UWAGA!**

- Należy porównać dane dotyczące napięcia na tabliczce znamionowej z danymi dostępnego źródła zasilania.
- Podłączać urządzenie do gniazda wtykowego DC (np. gniazda zapalniczki) tylko za pomocą przewodu zasilania prądem stałym.
- Wtyczki nie należy nigdy wyciągać z gniazda zapalniczki samochodowej ani gniazda elektrycznego, pociągając za przewód zasilania.
- Przed podłączeniem do ładowarki należy odłączyć lodówkę i inne urządzenia od akumulatora.
- Wyłączając silnik należy odłączyć urządzenie lub je wyłączyć. W przeciwnym razie akumulator może się rozładować.
- Przenośna lodówka nie nadaje się do transportu substancji żrących lub zawierających rozpuszczalniki!



- Izolacja tego urządzenia chłodniczego zawiera cyklopentan. Znajdujące się w materiale izolacyjnym gazy wymagają specjalnej procedury utylizacyjnej. Nienadające się do dalszej eksploatacji urządzenia chłodnicze należy dostarczyć do specjalistycznego zakładu utylizacyjnego.

## 2.2 Bezpieczeństwo podczas eksploatacji urządzenia



### OSTROŻNIE!

- Przed użyciem należy sprawdzić, czy przewód i wtyczka są suche.



### UWAGA!

- Wewnątrz przenośnej lodówki nie należy używać żadnych urządzeń elektrycznych – z wyjątkiem urządzeń zaleconych przez producenta.
- Nie należy ustawiać urządzenia w pobliżu otwartego ognia i innych źródeł ciepła (ogrzewanie, silne promieniowanie słoneczne, piec gazowy itp.).
- **Niebezpieczeństwo przegrzania!**  
Należy zawsze pamiętać, że ciepło powstające przy eksploatacji musi być odpowiednio odprowadzone. Należy zadbać o to, aby urządzenie stało w odpowiedniej odległości od ścian lub przedmiotów, tak by możliwa była cyrkulacja powietrza.
- Należy uważać, aby nie zakrywać otworów wentylacyjnych.
- Wypełnianie wewnętrznego pojemnika cieczami i lodem jest zabronione.
- Zanurzanie urządzenia w wodzie jest zabronione.
- Urządzenie i przewody należy chronić przed wysoką temperaturą i wilgocią.
- Do zastosowania w samochodzie ciężarowym:  
Przed przechYLENIEM kabiny należy opróżnić przenośną lodówkę i ją odłączyć (zob. rozdz. „Wyłączanie lodówki przenośnej” na stronie 174).

### 3 Zakres dostawy

Ilość	Nazwa
1	Lodówka szufladowa
4	Kątownik mocujący
1	Instrukcja montażu i obsługi

### 4 Użytkowanie zgodne z przeznaczeniem

Lodówki szufladowe CD 20 i CD 30 są przeznaczone do stosowania w samochodach ciężarowych, na łodziach lub w przyczepach kempingowych i nadają się do użytku przy przechyle ciągłym maksymalnie 30°.

Optymalna moc chłodzenia jest zagwarantowana w temperaturze otoczenia od +16 °C do +32 °C i przy wilgotności powietrza maksymalnie 90 %.



#### WSKAZÓWKA

Przed narażeniem przenośnej lodówki na skrajne obciążenia – takie jak ekspedycje – należy skontaktować się z producentem.



#### OSTROŻNIE! Zagrożenie zdrowia!

- Należy sprawdzić, czy wydajność chłodzenia odpowiada wymaganiom związanym z żywnością lub lekami, które mają być przechowywane w lodówce.
- Artykuły spożywcze mogą być przechowywane tylko w oryginalnych opakowaniach lub w odpowiednich pojemnikach.

## 5 Opis techniczny

Te lodówki mogą schładzać lub utrzymywać schłodzone produkty w zakresie temperatur od  $-2\text{ }^{\circ}\text{C}$  do  $+12\text{ }^{\circ}\text{C}$ .

Lodówka jest wyposażona w czujnik ochrony akumulatora, który wyłącza i ponownie włącza sprężarkę i tym samym chroni akumulator oraz sprężarkę przed uszkodzeniami. Punkty włączenia i wyłączenia, mierzone na zaciskach przyłączeniowych sprężarki są przedstawione w poniższej tabeli rozdz. „Dane techniczne” na stronie 179.

### 5.1 Elementy obsługi

Nr na  
rys. **3**,  
strona **4**

Objaśnienie

1

Termostat

## 6 Montaż lodówki



### UWAGA!

- Należy pamiętać, aby połączyć kabel dodatni z biegunem dodatnim, a kabel ujemny z biegunem ujemnym.
- Przy wyborze miejsca montażu należy się upewnić, że możliwy jest odpływ powietrza ogrzanego przez skraplacz.



### WSKAZÓWKA

- Aby uniknąć strat napięcia i mocy, należy zastosować możliwie krótki i niezgięty kabel. Z tego względu należy unikać korzystania z dodatkowych przełączników, wtyczek i puszek rozgałęźnych.
- Sprężarkę można wymontować i zamontować w innym miejscu lodówki lub osobno (rys. **2**, strona 3). Należy pamiętać o długości przewodu sterującego wynoszącej 1,5 m (CD 20)/1,5 m (CD 30).

Należy stosować się do następujących wskazówek:

- Średnicę kabla określa się w zależności od jego długości zgodnie z rys. **6**, strona 5.

Legenda do rys. **6**, strona 5

Oś współrzędnych	Znaczenie	Jednostka
l	Długość kabla	m
∅	Średnica kabla	mm <sup>2</sup>

Proszę podłączyć lodówkę w miarę możliwości bezpośrednio do bieguna akumulatora lub do gniazdka z minimalnym zabezpieczeniem 15 A (12 V)/7,5 A (24 V).

- W celu przymocowania lodówki za pomocą śrub w miejscu montażu należy wykorzystać punkty mocowania naniesione na bokach urządzenia (rys. **4**, strona 4 i rys. **5**, strona 4).

## 7 Obsługa lodówki



### WSKAZÓWKA

Przed pierwszym użyciem lodówki należy ze względów higienicznych wyczyścić ją od wewnątrz i z zewnątrz wilgotną ściereczką (patrz również rozdz. „Czyszczenie i pielęgnacja” na stronie 175).

### 7.1 Rady dotyczące oszczędzania energii

- Wybierz miejsce z dobrą wentylacją, nienarażone na promieniowanie słoneczne.
- Schłódź ciepłe potrawy przed ich włożeniem do urządzenia.
- Nie otwieraj lodówki częściej niż jest to konieczne.
- Nie zostawiaj otwartej lodówki dłużej niż jest konieczne.
- Należy odszronić lodówkę zaraz po wytworzeniu się warstwy lodu.
- Należy unikać zbyt niskiej temperatury wewnętrznej!
- Należy regularnie czyścić skraplacz (z kurzu itd.)

### 7.2 Włączanie lodówki przenośnej

- ▶ Najpierw należy otworzyć szufladę lodówki.
- ▶ Aby włączyć lodówkę, należy przekręcić pokrętkę termostatu (rys. **3** 1, strona 4) w kierunku zgodnym z ruchem wskazówek zegara.
- ✓ Przenośna lodówka zaczyna chłodzić komorę.



### WSKAZÓWKA

Należy uważać, aby w lodówce znajdowały się tylko rzeczy lub produkty, które mogą być chłodzone lub podgrzewane do wybranej temperatury.

## 7.3 Wybór temperatury

Pokrętko na termostacie (rys. **3** 1, strona 4) wskazuje wybrany zakres temperatur.

Pozycja pokrętki	Zakres temperatur (zależny od temperatury otoczenia)	
	CD20	CD30
MAX	ok. -2 °C w komorze	
MIN	ok. +12 °C w komorze	

- ▶ W celu wybrania temperatury chłodzenia należy przekręcać pokrętko na termostacie (rys. **3** 1 strona 4) do chwili uzyskaniażądanego zakresu temperatur.

## 7.4 Wyłączanie lodówki przenośnej



### WSKAZÓWKA

Wyłączając lodówkę na dłuższy czas, należy ją wyczyścić i pozostawić lekko otwartą szufladę. To zapobiega wytwarzaniu się nieprzyjemnych zapachów.

- ▶ Najpierw należy otworzyć szufladę lodówki.
- ▶ Aby wyłączyć lodówkę, należy przekręcić pokrętko termostatu (rys. **3** 1, strona 4) i ustawić je na pozycji „0”.
- ✓ Lodówka zostanie wyłączona.
- ▶ Po wyłączeniu przenośnej lodówki należy odłączyć przewód przyłączeniowy od akumulatora.

## 7.5 Odszranianie lodówki

Wilgotne powietrze może się osadzać wewnątrz lodówki w postaci szronu, który ogranicza wydajność chłodzenia. Dlatego należy w odpowiednim czasie odszranic urządzenie.



### UWAGA!

Do usuwania warstwy lodu nie wolno używać twardych lub ostrych narzędzi, które mogłyby uszkodzić tworzywo sztuczne lub parownik.

- ▶ Następnie należy wyjąć chłodzone produkty i przełożyć je do innej lodówki, tak aby pozostały zimne.
- ▶ Należy wyłączyć lodówkę (zob. rozdz. „Wyłączanie lodówki przenośnej” na stronie 174) i pozostawić otwartą szufladę.
- ▶ Zetrzeć wodę powstałą w wyniku odszraniania lub opróżnić rynienkę odpływową, jeśli została zastosowana.

## 8 Czyszczenie i pielęgnacja



### OSTRZEŻENIE!

Przed każdym czyszczeniem należy odłączyć urządzenie od sieci.



### UWAGA! Niebezpieczeństwo uszkodzenia!

- Przenośnej lodówki nie wolno nigdy czyścić pod bieżącą wodą ani zamaczać w wodzie.
  - Do czyszczenia nie należy używać agresywnych środków czyszczących ani twardych przedmiotów, gdyż mogą uszkodzić lodówkę.
- ▶ Obudowę należy czyścić od czasu do czasu wilgotną ściereczką od wewnątrz i na zewnątrz.
  - ▶ Należy upewnić się, że otwory wentylacyjne urządzenia nie są zabrudzone ani zakurzone, aby możliwe było odprowadzanie ciepła podczas pracy urządzenia, co pozwoli uniknąć uszkodzenia urządzenia.

## 9 Gwarancja

Warunki gwarancji zostały opisane w Karcie Gwarancyjnej dołączonej do produktu.

W celu naprawy lub rozpatrzenia gwarancji konieczne jest przesłanie:

- kopii rachunku z datą zakupu,
- informacji o przyczynie reklamacji lub opisu wady.

## 10 Utylizacja

- Opakowanie należy wyrzucić do odpowiedniego pojemnika na śmieci do recyklingu.



Jeżeli produkt nie będzie dłużej eksploatowany, koniecznie dowiedz się w najbliższym zakładzie recyklingu lub w specjalistycznym sklepie, jakie są aktualnie obowiązujące przepisy dotyczące utylizacji.

## 11 Usuwanie usterek



### OSTRZEŻENIE!

Napraw mogą dokonywać tylko odpowiednio wykwalifikowane osoby. Niefachowe naprawy mogą spowodować poważne niebezpieczeństwo.

### Sprężarka nie działa

Usterka	Możliwa przyczyna	Rozwiązanie
$U_{ZA} = 0 \text{ V}$	Przerwanie w przewodzie przyłączeniowym akumulator – elektronika	Wykonanie połączenia
	Uszkodzony wyłącznik główny (jeśli istnieje)	Wymiana wyłącznika głównego
	Przepalone dodatkowe zabezpieczenie przewodu (jeśli istnieje)	Wymiana zabezpieczenia przewodu
$U_{ZA} \leq U_{W\dot{L}}$	Za niskie napięcie w akumulatorze	Naładować akumulator



Usterka	Możliwa przyczyna	Rozwiązanie
Próba uruchomienia z $U_{ZA} \leq U_{WYL}$	Luźne połączenie kablowe Zły zestyk (korozja)	Wykonanie połączenia
	Za mała pojemność akumulatora	Wymiana baterii
	Za mała średnica kabla	Wymiana kabla (rys. <b>6</b> , strona 5)
Próba uruchomienia z $U_{ZA} \geq U_{WYL}$	Za wysoka temperatura otoczenia	–
	Niewystarczająca wentylacja	Przestawienie lodówki
	Zabrudzony kondensator	Czyszczenie kondensatora
Przerwany obwód elektryczny pomiędzy stykami w sprężarce	Uszkodzona sprężarka	Naprawę może wykonać tylko autoryzowany serwis.

$U_{ZA}$  Napięcie pomiędzy zaciskiem plus a zaciskiem minus w układzie elektronicznym

$U_{WYL}$  Napięcie włączenia na zacisku przyłączeniowym w elektronice (zob. rozdz. „Opis techniczny” na stronie 171)

$U_{WYL}$  Napięcie wyłączenia na zacisku przyłączeniowym w elektronice (zob. rozdz. „Opis techniczny” na stronie 171)

### Za niska temperatura wewnętrzna w położeniu regulatora termostatu „MIN”

Usterka	Możliwa przyczyna	Rozwiązanie
Sprężarka pracuje bez przerwy	Czujnik termostatu nie styka się z parownikiem	Zamocowanie czujnika
	Zwarcie w przewodzie termostatu	Wymiana termostatu
	Uszkodzony termostat	
Sprężarka pracuje przez długi czas	W zamrażalniku zamrożono większą partię artykułów	–

**Wydajność chłodzenia maleje, temperatura wewnętrzna rośnie**

<b>Usterka</b>	<b>Możliwa przyczyna</b>	<b>Rozwiązanie</b>
Sprężarka pracuje za długo/bez przerwy	Oblodzony parownik	Odszronienie parownika
	Izolacja komory chłodniczej jest niewystarczająca (wilgoć)	Wyregulować/Wymienić uszczelkę szuflady
	Za wysoka temperatura otoczenia	–
	Niewystarczająca wentylacja	Przestawienie lodówki
	Zabrudzony kondensator	Czyszczenie kondensatora
	Uszkodzony wentylator	Wymiana wentylatora
Sprężarka pracuje rzadko	Rozładowany akumulator	Naładować akumulator


**Niestandardowe szумы**

<b>Usterka</b>	<b>Możliwa przyczyna</b>	<b>Rozwiązanie</b>
Głośny przydźwięk	Element konstrukcyjny obiegu chłodzenia nie może wykonywać swobodnie ruchu drgającego (przylega do ścianki)	Odgięcie elementu konstrukcyjnego przy zachowaniu ostrożności
	Zakleszczone ciało obce pomiędzy lodówką a ścianą	Usunięcie ciała obcego
	Szum wentylatora	–

**Zakłócenia w odbiorze radia lub telewizji w pojeździe**

<b>Usterka</b>	<b>Możliwa przyczyna</b>	<b>Rozwiązanie</b>
Zakłócenia odbioru podczas pracy sprężarki	Przyłącze elektroniki lodówki nie jest bezpośrednio połączone z akumulatorem	Należy podłączyć lodówkę w miarę możliwości bezpośrednio do bieguna akumulatora

## 12 Dane techniczne

	CD 20	CD 30
Zasilanie:	12 V $\overline{\text{---}}$ /24 V $\overline{\text{---}}$	
Napięcie wyłączenia:	10,4 V przy 12 V $\overline{\text{---}}$ 22,8 V przy 24 V $\overline{\text{---}}$	
Napięcie włączenia:	11,7 V przy 12 V $\overline{\text{---}}$ 24,2 V przy 24 V $\overline{\text{---}}$	
Prąd znamionowy:	12 V $\overline{\text{---}}$ : 3 A 24 V $\overline{\text{---}}$ : 1,5 A	
Zakres temperatury chłodzenia:	od -2 °C do +12 °C	
Pojemność użytkowa:	20 l	30 l
Klasa klimatyczna:	N	
Temperatura otoczenia:	od +16 °C do +32 °C	
Wilgotność powietrza:	maks. 90 %	
Przechyl ciągi:	maks. 30°	
Ilość czynnika chłodzącego:	38 g	42 g
Ekwiwalent CO <sub>2</sub> :	0,054 t	0,060 t
Potencjał tworzenia efektu cieplarnianego (GWP):	1430	
Wymiary:	rys. <b>1</b> , strona 3	
Waga:	16,1 kg	18 kg
Kontrola/certyfikaty:		

Obieg chłodzący zawiera R134a.

Zawiera fluorowane gazy cieplarniane

Hermetycznie zamknięte urządzenie

**Pred uvedením zariadenia do prevádzky si prosím pozorne prečítajte tento návod a odložte si ho. V prípade odovzdania zariadenia ďalšiemu používateľovi mu odovzdajte aj tento návod.**

Výrobca neručí za škody, ktoré vzniknú používaním, ktoré **nie je v súlade s určeným použitím** alebo boli spôsobené **nesprávnou obsluhou**.

## Obsah

1	Vysvetlenie symbolov . . . . .	181
2	Bezpečnostné pokyny . . . . .	181
3	Rozsah dodávky . . . . .	183
4	Použitie podľa určenia . . . . .	184
5	Technický popis . . . . .	184
6	Zabudovanie chladiaceho boxu. . . . .	185
7	Obsluha chladiaceho boxu . . . . .	186
8	Čistenie a údržba . . . . .	188
9	Záruka . . . . .	189
10	Likvidácia . . . . .	189
11	Odstraňovanie porúch . . . . .	189
12	Technické údaje . . . . .	192

# 1 Vysvetlenie symbolov



## NEBZPEČENSTVO!

**Bezpečnostný pokyn:** Nerešpektovanie vedie k smrti alebo k ťažkému zraneniu.



## VÝSTRAHA!

**Bezpečnostný pokyn:** Nerešpektovanie môže viesť k smrti alebo k ťažkému zraneniu.



## UPOZORNENIE!

**Bezpečnostný pokyn:** Nerešpektovanie môže viesť k zraneniam.



## POZOR!

Nerešpektovanie môže viesť k materiálnym škodám a môže ovplyvniť funkciu zariadenia.



## POZNÁMKA

Doplňujúce informácie k obsluhu výrobku.

# 2 Bezpečnostné pokyny

## 2.1 Všeobecná bezpečnosť



### VÝSTRAHA!

- Ak zariadenie vykazuje očividné poškodenia, nesmiete ho uviesť do prevádzky.
- Ak sa poškodí pripojovací kábel tohoto zariadenia, musí ho vymeniť výrobca, služba zákazníkom alebo podobne kvalifikovaná osoba, aby sa zabránilo ohrozeniu.
- Opravy tohoto zariadenia smú robiť len odborníci. Neodbornými opravami môžu vzniknúť značné nebezpečenstvá.
- Prístroj smú používať deti od 8 rokov a osoby so zníženými psychickými, zmyslovými alebo mentálnymi schopnosťami a vedomosťami, keď sú pod dozorom alebo keď boli poučené o bezpečnom používaní prístroja a keď chápu, aké riziká z toho vyplývajú.
- Čistenie a bežnú údržbu nesmú deti vykonávať bez dozoru.

- Deti sa nesmú hrať s prístrojom.
- Deti musia byť pod dozorom, aby bolo zabezpečené, že sa so zariadením nebudú hrať.
- Prístroj odkladajte a používajte mimo dosahu detí mladších ako 8 rokov.
- V prístroji neuskladňujte látky, pri ktorých hrozí nebezpečenstvo výbuchu, napr. sprejové nádoby s hnacím plynom.

**UPOZORNENIE!**

- Odpojte zariadenie z el. siete
  - pred každým čistením a ošetrovaním
  - po každom použití
- Potraviny sa smú uskladniť len v originálnom balení alebo vo vhodných nádobách.

**POZOR!**

- Porovnajzte údaj o napätí na typovom štítku s prívodom el. energie, ktorý máte k dispozícii.
- Vo vozidle pripájajte zariadenie len s pripojovacím káblom pre jednosmerný prúd na zásuvku jednosmerného prúdu (na pr. zapalovač cigariet).
- Nikdy nevyt'ahujte zástrčku zo zásuvky za pripojovací kábel.
- Odpojte vaše chladiace zariadenie a ostatné spotrebiče od batérie skôr než pripojíte rýchlonabíjačku.
- Rozpojte spojenie alebo vypnite chladiace zariadenie, keď vypnete motor. V opačnom prípade sa môže vybit' batéria.
- Chladiace zariadenie nie je vhodné na prepravu dráždivých alebo rozpúšť'adlá obsahujúcich látok.
- Toto chladiace zariadenie obsahuje v izolácii horľavý cyklopentan. Plyny v izolačných materiáloch vyžadujú špeciálnu metódu na likvidáciu. Chladiace zariadenie na konci životnosti odovzdajte k riadnej likvidácii.

## 2.2 Bezpečnosť pri prevádzke zariadenia

**UPOZORNENIE!**

- Pred uvedením do prevádzky dbajte, aby boli prívod a zástrčka suché.

**POZOR!**

- Nepoužívajte žiadne elektrické prístroje vo vnútri chladiaceho zariadenia, okrem prístrojov, ktoré sú na to doporučené výrobcom zariadenia.
- Nepostavte zariadenie v blízkosti otvoreného ohňa alebo iných zdrojov tepla (kúrenie, slnečné žiarenie, plynové kachle atď.).
- **Nebezpečenstvo prehriatia!**  
Vždy dbajte, aby teplo, ktoré pri prevádzke vzniká, bolo možné dostatočne odvádzať. Postarajte sa, aby zariadenie stálo v dostatočnej vzdialenosti od stien alebo predmetov, aby mohol vzduch cirkulovať.
- Dbajte, aby nedošlo k zakrytiu vetracích otvorov.
- Do vnútornej nádoby nedávajte žiadne kvapaliny alebo ľad.
- Nikdy neponorte zariadenie do vody.
- Chráňte zariadenie a káble pred horúčavou a vlhkom.
- Pre prevádzku v nákladnom vozidle:  
Pred sklopením kabíny chladiaci box vyprázdňte a prístroj vypnite (pozri kap. „Vypnutie chladiaceho boxu“ na strane 187).

### 3 Rozsah dodávky

Množstvo	Označenie
1	Zásuvkový chladiaci box
4	Upevňovací uholník
1	Návod na montáž a obsluhu

## 4 Použitie podľa určenia

Zásuvkové chladiace boxy CD 20 a CD 30 sú vhodné na mobilné používanie v nákladnom automobile, člene alebo karavane a dimenzované pre trvalé 30° naklonenie.

Optimálny chladiaci výkon je zaručený pri teplote okolia +16 °C až +32 °C a pri vlhkosti vzduchu maximálne 90 %.



### POZNÁMKA

Skôr, ako chladiace zariadenie vystavíte náročným podmienkam, mali by ste sa poradiť s výrobcom.



### UPOZORNENIE! Nebezpečenstvo ohrozenia zdravia!

- Skontrolujte, či chladiaci výkon zariadenia zodpovedá požiadavkám potravín alebo liekov, ktoré chcete chladiť.
- Potraviny sa smú skladovať len v originálnom balení alebo v vhodných nádobách.

## 5 Technický popis

Chladiace prístroje dokážu schladiť tovar, resp. ho udržať v chlade, v rozsahu teploty od -2 °C až +12 °C.

Chladiaci box je vybavený kontrolou batérie, ktorá vypína a opäť zapína kompresor a chráni tak batériu a kompresor pred poškodením. Body zapnutia a vypnutia, merané na pripojovacích svorkách kompresora, sú uvedené v kapitole kap. „Technické údaje“ na strane 192.

### 5.1 Ovládacie prvky

Č. v obr. **3**, Vysvetlenie  
strane 4

1 Termostat



## 6 Zabudovanie chladiaceho boxu



### POZOR!

- Dbajte na to, aby bol kladný kábel pripojený ku kladnému pólu a záporný kábel k zápornému pólu.
- Pri výbere miesta zabudovania sa uistite, že vzduch zahriaty kondenzátorom môže voľne unikať.



### POZNÁMKA

- Aby ste predišli napäťovým stratám a tým aj výkonovým stratám, mal by byť kábel čo najkratší a nepreerušný. Preto sa vyhýbajte doplnkovým spínačom, zásuvkám alebo rozdeľovacím zásuvkám.
- Kompresor z chladiaceho zariadenia môžete odmontovať a namontovať na iné miesto na chladiacom zariadení alebo samostatne (obr. 2, strane 3). Pritom dbajte na dĺžku vedenia chladiaceho prostriedku 1,5 m (CD20)/1,5 m (CD30).

Rešpektujte nasledujúce upozornenia:

- Určte potrebný prierez kábla v závislosti od dĺžky kábla podľa obr. 6, strane 5. Legenda k obr. 6, strane 5

Súradnicová os	Význam	Jednotka
l	Dĺžka kábla	m
∅	Prierez kábla	mm <sup>2</sup>

Vaše chladiace zariadenie pripojte pokiaľ možno priamo na póly batérie alebo ku konektoru, ktorý je zaistený minimálne poistkou 15 A (12 V)/7,5 A (24 V).

- Na pevné upevnenie chladiaceho zariadenia na mieste montáže použite upevňovacie body, ktoré sa nachádzajú na bočných stranách zariadenia (obr. 4, strane 4 a obr. 5, strane 4).

## 7 Obsluha chladiaceho boxu



### POZNÁMKA

Skôr, ako nové chladiace zariadenie uvediete do prevádzky, mali by ste ho z hygienických dôvodov zvnútra a zvonku poutierať vlhkou handrou (pozri aj kap. „Čistenie a údržba“ na strane 188).

### 7.1 Tipy pre úsporu energie

- Zvoľte dobre odvetrané a pred slnečným žiarením chránené miesto osadenia.
- Teplé jedlá nechajte najprv ochladiť, pokiaľ ich budete v zariadení udržiavať studené.
- Neotvárajte chladiace zariadenia častejšie než je to potrebné.
- Nenechávajte chladiace zariadenie otvorené dlhšie než je to potrebné.
- Vaše chladiace zariadenie roztopte, keď sa na ňom vytvorí vrstva ľadu.
- Vyhýbajte sa zbytočne nízkej teplote vo vnútri zariadenia!
- V pravidelných intervaloch zbavte kondenzátor nečistôt (prach atď.).

### 7.2 Zapnutie chladiaceho boxu

- Otvorte zásuvku chladiaceho boxu.
- Aby ste chladiaci box zapli, otočte regulátor termostatu (obr. **3** 1, strane 4) v smere chodu hodinových ručičiek.
- ✓ Chladiaci box začne s chladením vnútorného priestoru.



### POZNÁMKA

Dbajte na to, aby sa v chladiacom boxe nachádzali len predmety, príp. tovary, ktoré sa smú na želanú teplotu zachladiť, resp. zahriať.

## 7.3 Voľba teploty

Spínač na termostate (obr. **3** 1, strane 4) zobrazuje zvolený teplotný rozsah.

Pozícia spínača	Teplotný rozsah (závislý od teploty okolia)	
	CD20	CD30
MAX	cca -2 °C vo vnútornom priestore	
MIN	cca +12 °C vo vnútornom priestore	

- Ak chcete zvoliť teplotu chladenia, otočte spínač na termostate (obr. **3** 1, strane 4), pokým sa nedosiahne želaný teplotný rozsah.

## 7.4 Vypnutie chladiaceho boxu



### POZNÁMKA

Keď chladiace zariadenie na dlhší čas vypnete, vyčistite ho a nechajte jeho zásuvku mierne pootvorenú. Týmto spôsobom zabránite tvorbe nepríjemných zápachov.

- Otvorte zásuvku chladiaceho boxu.
- Aby ste chladiaci box vypli, otočte regulátor termostatu (obr. **3** 1, strane 4) do pozície „0“.
- ✓ Chladiaci box je vypnutý.
- Keď chladiaci box uvediete mimo prevádzku, odpojte pripojovací kábel od batérie.

## 7.5 Roztopenie chladiaceho boxu

Vlhkosť vzduchu sa môžu vo vnútri chladiaceho zariadenia zrážať ako srieň, ktorá znižuje chladiaci výkon. Zariadenie preto včas roztopte.



### **POZOR!**

Vrstvu ľadu nikdy neodstraňujte ostrým alebo špicatým predmetom, ktorý by mohol poškodiť plast alebo výparník.

- Chladené tovary vyberte a umiestnite ich prípadne do iného chladiaceho zariadenia, aby zostali chladné.
- Chladiace zariadenie vypnite (pozri kap. „Vypnutie chladiaceho boxu“ na strane 187) a zásuvku nechajte otvorenú.
- Poutierajte roztopenú vodu alebo, ak je k dispozícii, vyprázdňte zachytávaciu nádobu.

## 8 Čistenie a údržba



### **VÝSTRAHA!**

Pred každým čistením a ošetrovaním odpojte zariadenie od siete.



### **POZOR! Nebezpečenstvo poškodenia!**

- Nikdy nečistite chladiace zariadenie pod tečúcou vodou alebo dokonca v preplachovacej vode.
- Nepoužívajte na čistenie žiadne ostré alebo tvrdé predmety, lebo tieto by mohli chladiace zariadenie poškodiť.

- Príležitostne vyčistite zariadenie zvnútra aj zvonku s vlhkou utierkou.
- Zabezpečte, aby vetracie a odvzdušňovacie otvory prístroja boli bez prachu a nečistôt, aby sa teplo vznikajúce pri prevádzke mohlo odvádzať a aby sa prístroj nepoškodil.

## 9 Záruka

Platí zákonom stanovená záručná lehota. Ak by bol výrobok chybný, obráťte sa na pobočku vo vašej krajine (adresy pozri na zadnej strane návodu) alebo na vášho špecializovaného predajcu.

Ak žiadate o vybavenie opravy alebo nárokov vyplývajúcich zo záruky, musíte priložiť nasledovné podklady:

- kópiu faktúry s dátumom kúpy,
- dôvod reklamácie alebo opis chyby.

## 10 Likvidácia

- Obalový materiál podľa možnosti odovzdajte do príslušného odpadu na recykláciu.



Keď výrobok definitívne vyradíte z prevádzky, informujte sa v najbližšom recyklačnom stredisku alebo u vášho špecializovaného predajcu o príslušných predpisoch týkajúcich sa likvidácie.

## 11 Odstraňovanie porúch



### VÝSTRAHA!

Opravy tohto prístroja smú vykonávať len kvalifikovaní odborníci. Neodbornými opravami môžu vzniknúť vážne nebezpečenstvá.

### Kompresor nefunguje

Porucha	Možná príčina	Riešenie
$U_{KL} = 0 V$	Prerušenie prípojného vedenia batéria – elektronika	Vytvorte spojenie
	Hlavný spínač je chybný (ak je k dispozícii)	Vymeňte hlavný spínač
	Doplňková výkonová poistka prehorená (ak je k dispozícii)	Vymeňte výkonovú poistku
$U_{KL} \leq U_{ZAP}$	Napätie batérie je príliš nízke	Nabite batériu

Porucha	Možná príčina	Riešenie
Pokus o spustenie s $U_{KL} \leq U_{VYP}$	Voľné káblové spojenie Zlý kontakt (korózia)	Vytvorte spojenie
	Kapacita batérie je príliš nízka	Vymeňte batériu
	Prierez kábla je príliš malý	Vymeňte kábel (obr. <b>6</b> , strane 5)
Pokus o spustenie s $U_{KL} \geq U_{ZAP}$	Teplota okolia je príliš vysoká	–
	Vetracie a odvetrávanie nie je dostatočné	Prestavte chladiace zariadenie
	Kondenzátor znečistený	Vyčistite kondenzátor
Elektrické prerušenie v kompresore medzi kolíkmi	Kompresor je chybný	Opravy smie vykonávať len autorizovaný servis.

$U_{KL}$  Napätie medzi kladnou a zápornou svorkou elektroniky

$U_{ZAP}$  Zapínacie napätie pripojovacej svorky elektroniky (pozri kap. „Technický popis“ na strane 184)

$U_{VYP}$  Vypínacie napätie pripojovacej svorky elektroniky (pozri kap. „Technický popis“ na strane 184)

### Vnútrná teplota príliš nízka v polohe termostatu „MIN“

Porucha	Možná príčina	Riešenie
Kompresor beží trvalo	Snímač termostatu nemá žiadny kontakt s výparníkom	Upevnite snímač
	Skrat vo vedení termostatu	Vymeňte termostat
	Termostat je chybný	–
Kompresor beží príliš dlho	V mraziacom priestore bolo zmrazené väčšie množstvo	–

**Chladiaci výkon klesá, vnútorná teplota stúpa**

Porucha	Možná príčina	Riešenie
Kompresor beží príliš dlho/trvalo	Výparník zamrznutý	Roztopte výparník
	Izolácia chladiaceho priestoru nedostatočná (vlhké/mokré)	Donastavte tesnenie zásuvky/ vymeňte
	Teplota okolia je príliš vysoká	–
	Vetrание a odvzdušnenie nie je dostatočné	Prestavte chladiace zariadenie
	Kondenzátor znečistený	Vyčistite kondenzátor
	Ventilátor je pokazený	Vymeňte ventilátor
Kompresor beží len zriedka	Kapacita batérie vyčerpaná	Nabite batériu


**Neobyčajné zvuky**

Porucha	Možná príčina	Riešenie
Hlasné brnenie	Konštrukčný diel chladiaceho okruhu sa nemôže voľne pohybovať (prilieha k stene)	Konštrukčný diel opatrne ohnite
	Cudzie teleso zachytené medzi chladiacim zariadením a stenou	Odstráňte cudzie teleso
	Hluk ventilátora	–

**Rádiové alebo televízne rušenie vo vozidle**

Porucha	Možná príčina	Riešenie
Poruchy príjmu počas chodu kompresora	Pripojenie elektroniky chladiaceho zariadenia nie je pripojené priamo na batériu	Vaše chladiace zariadenie pripojte pokiaľ možno priamo na póly batérie.

## 12 Technické údaje

	CD20	CD30
Pripájacie napätie:	12 V $\overline{\text{---}}$ /24 V $\overline{\text{---}}$	
Vypínacie napätie:	10,4 V pri 12 V $\overline{\text{---}}$ 22,8 V pri 24 V $\overline{\text{---}}$	
Zapínacie napätie:	11,7 V pri 12 V $\overline{\text{---}}$ 24,2 V pri 24 V $\overline{\text{---}}$	
Menovitý prúd:	12 V $\overline{\text{---}}$ : 3 A 24 V $\overline{\text{---}}$ : 1,5 A	
Chladiaci výkon:	-2 °C až +12 °C	
Užitočný obsah:	20 l	30 l
Teplotná trieda:	N	
Teplota okolia:	+16 °C až +32 °C	
Vlhkosť vzduchu:	max. 90 %	
Trvalé naklonenie:	max. 30°	
Množstvo chladiaceho prostriedku:	38 g	42 g
Ekvivalent CO <sub>2</sub> :	0,054 t	0,060 t
Potenciál globálneho otepľovania (GWP):	1430	
Rozmery:	obr. <b>1</b> , strane 3	
Hmotnosť:	16,1 kg	18 kg
Kontrola/Certifikáty:		

Chladiaci obvod obsahuje R134a.

Obsahuje fluórované skleníkové plyny

Hermeticky uzavreté zariadenie



**Před uvedením do provozu si pečlivě přečtěte tento návod k obsluze a uschovejte jej. V případě dalšího prodeje přístroje předejte návod novému uživateli.**

Výrobce neručí za škody, které vzniknou **nesprávným použitím** nebo **nesprávnou obsluhou**.

## Obsah

1	Vysvětlení symbolů . . . . .	194
2	Bezpečnostní pokyny . . . . .	194
3	Rozsah dodávky . . . . .	196
4	Použití v souladu se stanoveným účelem . . . . .	197
5	Technický popis . . . . .	197
6	Zabudování chladicího boxu . . . . .	198
7	Obsluha chladicího boxu . . . . .	199
8	Čištění a údržba . . . . .	201
9	Záruka . . . . .	202
10	Likvidace . . . . .	202
11	Odstraňování poruch . . . . .	202
12	Technické údaje . . . . .	205

# 1 Vysvětlení symbolů

**NEBEZPEČÍ!**

**Bezpečnostní pokyny:** Následkem nedodržení pokynů jsou smrtelná nebo vážná zranění.

**VÝSTRAHA!**

**Bezpečnostní pokyny:** Následkem nedodržení pokynů mohou být smrtelná nebo vážná zranění.

**UPOZORNĚNÍ!**

**Bezpečnostní pokyny:** Následkem nedodržení mohou být úrazy.

**POZOR!**

Nedodržení pokynů může mít za následek hmotné škody a narušení funkce výrobku.

**POZNÁMKA**

Doplňující informace týkající se obsluhy výrobku.

## 2 Bezpečnostní pokyny

### 2.1 Obecná bezpečnost

**VÝSTRAHA!**

- V případě, že je přístroj viditelně poškozen, nesmíte jej používat.
- Pokud je přívodní kabel přístroje poškozen, musíte jej nechat vyměnit výrobcem, jeho servisním centrem nebo jinou kvalifikovanou osobou tak, aby nemohlo dojít k jakémukoliv ohrožení.
- Opravy tohoto přístroje smí provádět pouze odborníci. Nesprávně provedené opravy mohou způsobit značné škody.
- Tento přístroj mohou používat děti od 8 let a osoby se sníženými fyzickými, sensorickými nebo mentálními schopnostmi, nebo osoby s nedostatkem zkušeností a/nebo znalostí, pokud budou pod dozorem nebo pokud byly poučeny o bezpečném použití přístroje a porozuměly nebezpečím, která z použití výrobku vyplývají.

- Čištění a uživatelem prováděnou údržbu nesmějí provádět děti bez dozoru.
- Nenechávejte děti, aby si s přístrojem hrály!
- Děti musejí být pod dohledem tak, aby si s výrobkem nehrály.
- Přístroj používejte a skladujte mimo dosah dětí mladších 8 let.
- Neskladujte v přístroji výbušné látky, jako např. spreje s hořlavým hnacím plynem.



### UPOZORNĚNÍ!

- Přístroj odpojte od sítě:
  - Před každým čištěním a údržbou
  - Po každém použití
- Skladujte potraviny pouze v originálním balení nebo ve vhodných nádobách.



### POZOR!

- Porovnejte údaj o napětí na typovém štítku se stávajícím zdrojem napájení.
- Připojte přístroj přívodním kabelem stejnosměrného napájení pouze k palubní zásuvce se stejnosměrným proudem ve vozidle (např. autozapalovač).
- Nikdy nevytáhněte zástrčku ze zásuvky tahem za přívodní kabel.
- Odpojte chladničku a jiné spotřebiče od baterie dříve, než je připojíte k rychlonabíječce.
- Po vypnutí motoru přerušte spojení nebo vypněte chladničku. V opačném případě může dojít k vybití baterie.
- Chladnička není vhodná k přepravě leptavých látek nebo látek obsahujících rozpouštědla.
- V izolaci této ledničky je hořlavý cyklopentan. Plyny v izolačním materiálu vyžadují speciální metodu likvidace. Po ukončení životnosti ledničku odevzdejte k řádné likvidaci.

## 2.2 Bezpečnost za provozu přístroje



### UPOZORNĚNÍ!

- Před uvedením do provozu zkontrolujte, zda jsou přívodní kabel a zástrčka suché.

**POZOR!**

- Nepoužívejte uvnitř chladničky žádné elektrické přístroje, pouze pokud jsou k tomu takové přístroje doporučeny výrobcem.
- Neinstalujte přístroj v blízkosti otevřeného ohně nebo jiných tepelných zdrojů (topení, přímé sluneční záření, plynová kamna apod.).
- **Nebezpečí přehřátí!**  
Vždy dbejte, aby bylo teplo, vznikající za provozu zařízení, dostatečně odváděno. Zajistěte, aby byl přístroj postaven v dostatečné vzdálenosti od stěn nebo předmětů tak, aby mohl vzduch cirkulovat.
- Pamatujte, že nesmějí být zakryty větrací otvory.
- Do vnitřní nádoby nelijte žádné kapaliny ani do ní nedávejte led.
- Nikdy neponořujte přístroj do vody.
- Chraňte přístroje a kabely před horkem a vlhkem.
- Pro provoz v nákladním vozidle:  
Před sklopením kabiny řidiče vyprázdněte obsah chladicího boxu a chladicí box vypněte (viz kap. „Vypnutí chladicího boxu“ na straně 200).

### 3 Rozsah dodávky

Množství	Název
1	Chladicí box v provedení zasouvací přihrádky
4	Upevňovací úhelník
1	Návod k instalaci a použití

## 4 Použití v souladu se stanoveným účelem

Zasouvací chladicí boxy CD 20 a CD 30 jsou určeny k mobilnímu použití v nákladních automobilech, na lodích nebo v karavanech a jsou konstruovány k trvalému náklonu maximálně 30°.

Optimální chladicí výkon je zajištěn za okolních teplot +16 °C až +32 °C a za vlhkosti vzduchu maximálně 90 %.



### POZNÁMKA

Dříve než chladničku vystavíte extrémnímu namáhání, měli byste kontaktovat výrobce.



### UPOZORNĚNÍ! Nebezpečí ohrožení zdraví!

- Zkontrolujte, zda chladicí výkon přístroje odpovídá požadavkům potravin nebo léčiv, které chcete skladovat.
- Skladujte potraviny pouze v originálním balení nebo ve vhodných nádobách.

## 5 Technický popis

Chladničky mohou chladit výrobky v rozsahu teplot od -2 °C do +12 °C, nebo je udržovat chladné.

Chladicí box je vybaven snímačem baterie, který vypíná a opět zapíná kompresor a tím chrání baterii a kompresor před poškozením. Body zapnutí a vypnutí měřené na přívodních svorkách kompresoru jsou uvedeny v kap. „Technické údaje“ na straně 205.

### 5.1 Ovládací prvky

Č. na  
obr. **3**,  
strana 4

Vysvětlení

1

Termostat

## 6 Zabudování chladicího boxu



### POZOR!

- Dbejte na to, aby byl plusový kabel připojen ke kladnému pólu a minusový kabel k zápornému pólu.
- Při výběru místa instalace se ujistěte, že lze vzduch ohříváný kondenzátorem dobře odtahovat.



### POZNÁMKA

- Z důvodu zabránění ztrát napětí a výkonu používejte co nejkratší nepřerušovaný kabel. Ze stejného důvodu nepoužívejte další spínače, zástrčky nebo zásuvkové rozbočky.
- Kompresor lze z chladničky demontovat a namontovat na jiné místo na chladniče nebo samostatně (obr. 2, strana 3). Dodržujte délku potrubí chladicího média 1,5 m (CD 20)/1,5 m (CD 30).

Dodržujte následující pokyny:

- Stanovte potřebný průřez kabelu v závislosti na délce kabelu podle obr. 6, strana 5.

Legenda k obr. 6, strana 5

Souřadnicová osa	Význam	Jednotka
l	Délka kabelu	m
∅	Průřez kabelu	mm <sup>2</sup>

Chladničku připojte pokud možno přímo k pólům baterie nebo zdírce s jistěním na minimálně 15 A (12 V)/7,5 A (24 V).

- K pevnému přišroubování chladničky na místě instalace použijte body k našroubování umístěné po stranách přístroje (obr. 4, strana 4 a obr. 5, strana 4).

## 7 Obsluha chladicího boxu



### POZNÁMKA

Dříve než uvedete novou chladničku do provozu, měli byste ji z hygienických důvodů očistit vlhkou utěrkou jak zevnitř, tak zvenčí (viz též kap. „Čištění a údržba“ na stranì 201).

### 7.1 Tipy k úspoře energie

- K používání vyberte dobře větrané místo chráněné před slunečním zářením.
- Teplé pokrmy nechejte před uložením do chladničky vychladnout.
- Neotevírejte chladničku častěji, než je nezbytně nutné.
- Nenechávejte chladničku otevřenou déle, než je nezbytně nutné.
- Odmrazte chladničku, jakmile se vytvoří vrstva ledu.
- Zabraňte vzniku zbytečně nízkých vnitřních teplot!
- Z kondenzátoru odstraňujte v pravidelných intervalech nečistoty (prach atd.).

### 7.2 Zapnutí chladicího boxu

- ▶ Otevřete přihrádku chladicího boxu.
- ▶ Chladicí box se zapíná otáčením knoflíku termostatu (obr. **3** 1, strana 4) ve směru hodinových ručiček.
- ✓ Chladicí box zahájí chlazení vnitřního prostoru.



### POZNÁMKA

Pamatujte, že v chladicím boxu musejí být pouze výrobky nebo předměty, které je dovoleno zchladit nebo ohřát na nastavenou teplotu.

## 7.3 Nastavení teploty

Spínací tlačítko na termostatu (obr. **3** 1, strana 4) zobrazuje zvolené teplotní rozmezí.

Poloha spínacího tlačítka	Teplotní rozmezí (v závislosti na okolní teplotě)	
	CD20	CD30
MAX	cca -2 °C uvnitř	
MIN	cca +12 °C uvnitř	

- Pokud si přejete nastavit teplotu chlazení, stiskněte spínací tlačítko na termostatu (obr. **3** 1, strana 4) a podržte je, dokud nedosáhnete nastaveného teplotního rozsahu.

## 7.4 Vypnutí chladicího boxu



### POZNÁMKA

Pokud se chladnička odstaví na delší dobu, vyčistěte ji a přihrádku nechejte mírně pootevřenou. Tímto způsobem se zabrání tvorbě nepříjemných zápachů.

- Otevřete přihrádku chladicího boxu.
- Chladicí box se vypíná otočením knoflíku termostatu (obr. **3** 1, strana 4) do polohy „0“.
- ✓ Chladicí box je vypnutý.
- Po vypnutí chladicího boxu odpojte přívodní kabel od baterie.



## 7.5 Rozmrazování chladicího boxu

Vzdušná vlhkost se může srážet uvnitř chladničky formou jinovatky, která snižuje chladicí výkon. Příklad proto včas odmrázte.



### POZOR!

Vrstvu ledu nikdy neodstraňujte tvrdými nebo špičatými nástroji, kterými by se plast nebo výparník mohl poškodit.

- Obsah chladničky vyjměte uložte případně do jiné lednice, aby zůstal v chladu.
- Chladničku vypněte (viz kap. „Vypnutí chladicího boxu“ na straně 200) a přihrádku nechejte otevřenou.
- Vyčíte vodu nebo vylijte obsah sběrné misky (pokud je jí přístroj vybaven).

## 8 Čištění a údržba



### VÝSTRAHA!

Před zahájením jakéhokoliv čištění nebo údržby odpojte výrobek od sítě.



### POZOR! Nebezpečí poškození!

- Nikdy neumývejte chladničku pod tekoucí vodou nebo ve vodě s prostředkem na mytí nádobí.
- Nepoužívejte k čištění ostré čisticí prostředky nebo tvrdé předměty, může dojít k poškození chladničky.

- Příležitostně očistěte přístroj zevnitř a zvenčí vlhkým hadrem.
- Zajistěte, aby nebyly větrací a odvětrávací otvory přístroje zaprášené a znečištěné. Tím může být teplo vznikající za provozu odváděno a nedojde k poškození přístroje.

## 9 Záruka

Na výrobek je poskytována záruka v souladu s platnými zákony. Zjistíte-li, že je výrobek vadný, zašlete jej do pobočky výrobce ve vaší zemi (adresy viz zadní strana tohoto návodu) nebo do specializovanému prodejci.

K vyřízení opravy nebo záruky nezapomeňte odeslat následující dokumenty:

- Kopii účtenky s datem zakoupení,
- Uvedení důvodu reklamace nebo popisu vady.

## 10 Likvidace

► Obalový materiál likvidujte v odpadu určeném k recyklaci.



Jakmile výrobek zcela vyřadíte z provozu, informujte se v příslušných recyklačních centrech nebo u specializovaného prodejce o příslušných předpisech o likvidaci odpadu.

## 11 Odstraňování poruch



### VÝSTRAHA!

Opravy tohoto výrobku směřjí provádět pouze odborníci. Nesprávně provedené opravy mohou být zdrojem značných rizik.

### Kompresor neběží

Porucha	Možná příčina	Řešení
$U_{KL} = 0 V$	Přerušení přívodního vodiče baterie – elektronika	Obnovte spojení
	Závada hlavního vypínače (pokud je jím zařízení vybaveno)	Vyměňte hlavní vypínač
	Spálení přídatné pojistky vodiče (pokud je instalována)	Vyměňte pojistky vodiče
$U_{KL} \leq U_{ZAP}$	Napětí baterie je příliš nízké	Nabijte baterii

Porucha	Možná příčina	Řešení
Pokus o spuštění při hodnotě $U_{KL} \leq U_{VYP}$	Uvolněné spojení kabelu Špatný kontakt (koroze)	Obnovte spojení
	Příliš nízká kapacita baterie	Výměna baterie
	Příliš malý průřez vodiče	Vyměňte kabel (obr. <b>6</b> , strana 5)
Pokus o spuštění při hodnotě $U_{KL} \geq U_{ZAP}$	Příliš vysoká okolní teplota	–
	Nedostatečný přívod a odvod vzduchu	Změňte umístění ledničky
	Znečištěný kondenzátor	Vyčistěte kondenzátor
Přerušení elektřiny v kompresoru mezi kolíky	Vadný kompresor	Opravu smí provést pouze schválená provozovna zákaznického centra.

$U_{KL}$  Napětí mezi kladnou a zápornou svorkou elektroniky

$U_{ZAP}$  Napětí k zapnutí přípojovací svorky elektroniky (viz kap. „Technický popis“ na straně 197)

$U_{VYP}$  Napětí k vypnutí přípojovací svorky elektroniky (viz kap. „Technický popis“ na straně 197)

### Vnitřní teplota příliš nízká v poloze termostatu „MIN“

Porucha	Možná příčina	Řešení
Kompresor trvale pracuje	Čidlo termostatu není v kontaktu s výparníkem	Upevněte čidlo
	Zkrat ve vodiči termostatu	Vyměňte termostat
	Termostat je vadný	
Kompresor běží dlouho	V mrazicím boxu je přílišná námraza	–

**Chladicí výkon klesá, vnitřní teplota stoupá**

Porucha	Možná příčina	Řešení
Kompresor běží dlouho/trvale	Námraza na výparníku	Odmrazte výparník
	Nedostatečná izolace chladicího prostoru (vlhko/mokro)	Seřídte/vyměňte těsnění přihrádky
	Příliš vysoká okolní teplota	–
	Nedostatečný přívod a odvod vzduchu	Změňte umístění ledničky
	Znečištěný kondenzátor	Vyčistěte kondenzátor
	Vadný ventilátor	Vyměňte ventilátor
Kompresor běží jen občas	Vybitá baterie	Nabijte baterii


**Nezvyklé zvuky**

Porucha	Možná příčina	Řešení
Hlasité bručivé zvuky	Součást chladicího okruhu nemůže volně vibrovat (je přitisknutá ke stěně)	Opatrně vyhněte součást
	Cizí těleso mezi chladicím agregátem a stěnou	Odstraňte cizí těleso
	Hluk ventilátoru	–

**Rádiové nebo televizní rušení ve vozidle**

Porucha	Možná příčina	Řešení
Poruchy příjmu za chodu kompresoru	Přípojka elektroniky chladničky není připojena svorkou přímo k baterii	Chladničku pokud možno připojte přímo k pólům baterie.

## 12 Technické údaje

	CD20	CD30
Napájení:	12 V $\overline{=}$ / 24 V $\overline{=}$	
Vypínací napětí:	10,4 V pro 12 V $\overline{=}$ 22,8 V pro 24 V $\overline{=}$	
Spínací napětí:	11,7 V pro 12 V $\overline{=}$ 24,2 V pro 24 V $\overline{=}$	
Jmenovitý proud:	12 V $\overline{=}$ : 3 A 24 V $\overline{=}$ : 1,5 A	
Chladicí výkon:	-2 °C až +12 °C	
Užitečný obsah:	20 l	30 l
Klimatická třída	N	
Okolní teplota:	+16 °C až +32 °C	
Vlhkost vzduchu:	max. 90 %	
Trvalý náklon:	max. 30°	
Množství chladicího prostředku:	38 g	42 g
Ekvivalent CO <sub>2</sub> :	0,054 t	0,060 t
Potenciál skleníkových plynů (GWP):	1430	
Rozměry:	obr. <b>1</b> , strana 3	
Hmotnost:	16,1 kg	18 kg
Kontrola/certifikáty:		

Chladicí okruh obsahuje médium R134a.

Obsahuje fluorované skleníkové plyny

Hermeticky uzavřeným zařízením

**A készülék első használata előtt gondosan olvassa el és őrizze meg ezt a használati utasítást. Ha a készüléket továbbadja, mellékelje hozzá a használati utasítást is.**

A gyártó nem felelős olyan károkért vagy sérülésekért, amelyeket **nem rendeltetésszerű használat** vagy **hibás kezelés** okozott.

## Tartalomjegyzék

1	A szimbólumok magyarázata . . . . .	207
2	Biztonsági tudnivalók . . . . .	207
3	Szállítási terjedelem . . . . .	209
4	Rendeltetésszerű használat . . . . .	210
5	Műszaki leírás . . . . .	210
6	A hűtőláda beszerelése . . . . .	211
7	A hűtőláda kezelése . . . . .	212
8	Tisztítás és karbantartás . . . . .	214
9	Szavatosság . . . . .	215
10	Ártalmatlanítás . . . . .	215
11	Üzemzavarok elhárítása . . . . .	215
12	Műszaki adatok . . . . .	218

# 1 A szimbólumok magyarázata



## **VESZÉLY!**

**Biztonsági tudnivaló:** Az utasítás figyelmen kívül hagyása halált vagy súlyos sérülést okoz.



## **FIGYELMEZTETÉS!**

**Biztonsági tudnivaló:** Az utasítás figyelmen kívül hagyása halált vagy súlyos sérülést okozhat.



## **VIGYÁZAT!**

**Biztonsági tudnivaló:** Az utasítás figyelmen kívül hagyása sérüléseket okozhat.



## **FIGYELEM!**

Ha nem veszi figyelembe az információt, az anyagkárosodást eredményezhet, és káros kihatással lehet a termék működésére.



## **MEGJEGYZÉS**

Kiegészítő információk a termék kezelésével kapcsolatosan.

## 2 Biztonsági tudnivalók

### 2.1 Általános biztonság



#### **FIGYELMEZTETÉS!**

- Ha a készüléken sérülések láthatók, akkor azt nem szabad üzembe helyezni.
- Ha a készülék csatlakozókábele megsérül, akkor azt – a veszélyeztetések elkerülése érdekében – a gyártóval, a vevőszolgálattal vagy egy hasonlóan képzett szakemberrel kell kicseréltetni.
- Javításokat csak szakemberek végezhetnek a készüléken. Nem szakszerű javítások jelentős veszélyeket okozhatnak.

- Jelen készüléket 8 év feletti gyermekek, valamint korlátozott fizikai, érzékszervi és szellemi képességű, illetve megfelelő tapasztalattal és/vagy tudással nem rendelkező személyek csak felügyelet mellett, illetve a készülék biztonságos használatát és az abból eredő veszélyeket megértve használhatják.
- A tisztítást és a felhasználói karbantartást gyermekek felügyelet nélkül nem végezhetik.
- A készülékkel gyerekek nem játszhatnak.
- A gyermekekre figyelni kell, hogy a készülékkel ne játsszanak.
- A készüléket 8 év alatti gyermekek által nem hozzáférhető módon tárolja és használja.
- Ne tároljon a készülékben robbanékony anyagokat (például éghető hajtógázt tartalmazó permetpalackokat).

**VIGYÁZAT!**

- Az alábbi esetekben mindig húzza ki a készülék csatlakozódugóját a hálózati aljzatból:
  - minden tisztítás és karbantartás előtt
  - minden használat után.
- Élelmiszert csak eredeti csomagolásban vagy megfelelő tárolókban szabad tárolni.

**FIGYELEM!**

- Hasonlítsa össze a típustáblán feltüntetett a feszültségadatok a rendelkezésre álló energiaellátással.
- A készüléket csak az egyenáramú csatlakozókábelben keresztül csatlakoztassa a jármű egyenáramú aljzatához (pl. szivargyújtóhoz).
- Soha ne húzza ki a csatlakozódugót a csatlakozókábelnél fogva az aljzatból.
- Kösse le a hűtőkészüléket és más fogyasztókat az akkumulátorról, mielőtt gyorstöltő berendezést csatlakoztatna rá.
- Húzza ki a csatlakozódugót vagy kapcsolja ki a hűtőkészüléket, ha a jármű motorját kikapcsolja. Ellenkező esetben az akkumulátor lemerülhet.
- A hűtőkészülék nem alkalmas maró hatású vagy oldószert tartalmazó anyagok szállítására.



- A hűtőegység szigetelése gyúlékony ciklopentánt tartalmaz. A szigetelőanyagban található gázok miatt különleges ártalmatlanítási eljárásra van szükség. A hűtőegységet az élettartama végén a szabályozásoknak megfelelően ártalmatlaníttassa.

## 2.2 Biztonság a készülék üzemeltetése során



### VIGYÁZAT!

- Üzembe helyezés előtt ügyeljen arra, hogy a vezeték és a dugasz száraz legyen.



### FIGYELEM!

- Ne használjon elektromos készülékeket a hűtőkészüléken belül, kivéve ha ezeket a készülékeket a gyártó erre a célra javasolja.
- Ne helyezze a készüléket nyílt láng vagy más hőforrás közelébe (fűtés, erős napsugárzás, gázkályha stb.).
- **Tűlforrósodás veszélye!**  
Mindig ügyeljen arra, hogy az üzemeltetés során keletkező hő kielégítően eltávozhasson. A levegő keringetése érdekében gondoskodjon arról, hogy a készülék kielégítő távolságban álljon a faltól vagy tárgyaktól.
- Ügyeljen arra, hogy a szellőzőnyílások ne legyenek lefedve.
- Ne töltsön folyadékot vagy jeget a belső tartályba.
- Soha ne merítse vízbe a készüléket.
- Védje a készüléket és a kábeleket a hőtől és a nedvességtől.
- Tehergépjárműben történő üzemelés esetén:  
A vezetőfülke billentése előtt ürítse ki a hűtőládát és kapcsolja ki a készüléket (lásd „A hűtőláda kikapcsolása” fejr., 213. oldal).

## 3 Szállítási terjedelem

Mennyiség	Megnevezés
1	Fiókos hűtőláda
4	Rögzítőkönyvek
1	Beépítési és kezelési útmutató

## 4 Rendeltetésszerű használat

A CD 20 és CD 30 fiókos hűtőládák tehergépjárművekben, hajókon vagy lakókocsikban történő mobil használatra szolgálnak és legfeljebb 30°-os tartós dőlésszög mellett használhatók.

Optimális hűtési teljesítmény +16 °C és +32 °C közötti környezeti hőmérséklet, valamint legfeljebb 90 %-os páratartalom mellett biztosítható.



### MEGJEGYZÉS

A hűtőkészülék csak a gyártóval történő előzetes egyeztetést követően tehető ki rendkívüli hatásoknak.



### VIGYÁZAT! Egészségkárosodás veszélye!

- Ellenőrizze, hogy a készülék hűtőteljesítménye megfelel-e a hűteni kívánt élelmiszerek vagy gyógyszerek követelményeinek.
- Élelmiszert csak eredeti csomagolásban vagy megfelelő tárolókban szabad tárolni.

## 5 Műszaki leírás

A hűtőkészülékek -2 °C és +12 °C közötti hőmérsékleti tartományban képesek áruk hűtésére és hidegen tartására.

A hűtőkészülék akkumulátorórral rendelkezik, amely a kompresszort – az akkumulátor és a kompresszor meghibásodás elleni védelme érdekében – ki- és újból bekapcsolja. A kompresszor csatlakozókapcsain mért be- és kikapcsolási pontok jegyzéke itt található: „Műszaki adatok” fejr., 218. oldal.

### 5.1 Kezelőelemek

Szám

(3. ábra, Magyarázat  
4. oldal)

1

Termosztát

## 6 A hűtőláda beszerelése



### FIGYELEM!

- Ügyeljen arra, hogy a pluszkábel a pluszpólusra, a mínuszkábel a mínuszpólusra legyen csatlakoztatva.
- A beszerelés helyének kiválasztása során biztosítsa, hogy a kondenzátor által felmelegített levegő megfelelően távozhasson.



### MEGJEGYZÉS

- Feszültségvesztések – és ezáltal teljesítményvesztések – elkerülése érdekében a kábelutat lehetőleg röviden és megszakításmentesen kell kialakítani. Emiatt célszerű elkerülni kiegészítő kapcsolók, dugaszok vagy elosztóaljzatok használatát.
- A hűtőkészülék kompresszorát leszerelhető és egy másik helyen, a hűtőkészüléken vagy attól különállóan szerelhető fel (2. ábra, 3. oldal). Ennek során vegye figyelembe a hűtőközeg-vezeték 1,5 m (CD 20)/1,5 m (CD 30)-es hosszát.

Vegye figyelembe az alábbi megjegyzéseket:

- ▶ A kábel szükséges keresztmetszetét a kábelhossz függvényében határozza meg a következő szerint: **6.** ábra, 5. oldal.  
A **6.** ábra, 5. oldal magyarázata

Koordinátatengely	Jelentés	Egység
l	Kábelhossz	m
∅	Kábelkeresztmetszet	mm <sup>2</sup>

A hűtőkészüléket lehetőleg közvetlenül csatlakoztassa az akkumulátor pólusaihoz vagy egy legalább 15 A (12 V) / 7,5 A (24 V) értékben biztosított dugaszhelyhez.

- ▶ A hűtőkészülék beszerelési helyen történő, megfelelő szilárdságú csavaröngzítéséhez használja a készülékoldalakon elhelyezett csavarozáspontokat (**4.** ábra, 4. oldal és **5.** ábra, 4. oldal).

## 7 A hűtőláda kezelése



### MEGJEGYZÉS

Az új hűtőkészülék az üzembe helyezés előtt – higiéniai okokból – tisztítsa meg nedves ruhával belül és kívül (lásd „Tisztítás és karbantartás” fejelet, 214. oldal).

### 7.1 Energiatakarékosági tippek

- A készülék működtetéséhez válasszon jól szellőző és napfénytől védett helyet.
- Hagyja lehűlni a meleg ételeket, mielőtt azokat hidegen tartaná a készülékben.
- Ne nyissa ki a hűtőkészüléket a szükségesnél gyakrabban.
- Ne hagyja nyitva a hűtőkészüléket a szükségesnél hosszabban.
- Ha a hűtőládjában jéggréteg alakult ki, olvassza le.
- Kerülje a fölöslegesen alacsony belső hőmérsékletet!
- Rendszeresen szabadítsa meg a kondenzátort a szennyeződésektől (por stb.).

### 7.2 A hűtőláda bekapcsolása

- ▶ Nyissa ki a hűtőláda fiókját.
- ▶ A hűtőláda bekapcsolásához forgassa a termosztát gombját (3. ábra 1, 4. oldal) az óramutató járásával egyező irányba.
- ✓ A hűtőláda a belső tér hűtésével kezdi a működést.



### MEGJEGYZÉS

Ügyeljen arra, hogy csak olyan tárgyak ill. áruk legyenek a hűtőládjában, amelyek lehűthetők, illetve felmelegíthetők a kiválasztott hőmérsékletre.

### 7.3 A hőmérséklet kiválasztása

A termosztáton lévő kapcsológomb (3. ábra 1, 4. oldal) a kiválasztott hőmérséklet-tartományt jelzi.

Kapcsológomb-állás	Hőmérséklet-tartomány (a környezeti hőmérséklet függvényében)	
	CD20	CD30
MAX	kb. -2 °C a beltérben	
MIN	kb. +12 °C a beltérben	

- ▶ Ha hűtéshez szeretné kiválasztani a hőmérsékletet, akkor forgassa a termosztáton lévő forgatógombot (3. ábra 1, 4. oldal) a kívánt hőmérséklet-tartomány eléréséig.

### 7.4 A hűtőláda kikapcsolása



#### MEGJEGYZÉS

Ha a hűtőkészüléket hosszabb időre leállítja, akkor tisztítsa azt meg és hagyja a fiókot kissé nyitva. Ilyen módon megakadályozza kellemetlen szagok képződését.

- ▶ Nyissa ki a hűtőláda fiókját.
- ▶ A hűtőláda kikapcsolásához forgassa a termosztát gombját (3. ábra 1, 4. oldal) „0” állásba.
- ✓ A hűtőláda ki van kapcsolva.
- ▶ Ha a hűtőládát üzemen kívül helyezi, akkor csatlakoztassa le a csatlakozókábelt az akkumulátorról.

## 7.5 A hűtőláda leolvasztása

A levegő nedvességtartalma a hűtőláda belső terében a hűtőtéljesítményt csökkentő dérként csapódhat le. Ezért olvassza le időben a készüléket.



### FIGYELEM!

Soha ne távolítsa el a jégreteget a műanyag vagy a párologtató sérülését okozó kemény vagy hegyes szerszámmal.

- Vegye ki a hűtött árukat és adott esetben egy másik hűtőkészülékben tárolja azokat, hogy hidegen maradjanak.
- Kapcsolja ki a hűtőkészüléket (lásd „A hűtőláda kikapcsolása” fejr., 213. oldal) és hagyja a fiókot nyitva.
- Törölje fel a kiolvadt vizet vagy – ha van – ürítse ki a felfogócsészét.

## 8 Tisztítás és karbantartás



### FIGYELMEZTETÉS!

A készüléket minden tisztítás és karbantartás előtt válassza le a hálózatról.



### FIGYELEM! Sérülés veszélye!

- Soha ne tisztítsa a hűtőkészüléket folyó víz alatt vagy mosogatóvízben.
- Ne használjon a tisztításhoz éles tisztítóeszközöket vagy kemény tárgyakat, mert azok a hűtőkészüléket megsérthetik.

- Alkalmanként tisztítsa meg a készüléket kívül-belül nedves ruhával.
- Biztosítsa, hogy a készülék szellőztető és légtelenítő nyílásai por- és szennyeződésmentesek legyenek, mert így az üzem közben létrejövő hő távozik és a készülék nem károsodik.

## 9 Szavatosság

A termékre a törvény szerinti szavatossági időszak érvényes. A termék meghibásodása esetén forduljon a gyártói lerakathoz (a címeket lásd jelen útmutató hátoldalán), illetve az illetékes szakkereskedőhöz.

A javításhoz, illetve a szavatossági adminisztrációhoz a következő dokumentumokat kell mellékelnie:

- a számla vásárlási dátummal rendelkező másolatát,
- a reklamáció okát vagy a hibát tartalmazó leírást.

## 10 Ártalmatlanítás

- A csomagolóanyagot lehetőleg a megfelelő újrahasznosítható hulladék közé tegye.



Ha a terméket véglegesen kivonja a forgalomból, kérjük, tájékozódjon a legközelebbi hulladékártalmatlanító központnál vagy a szakkereskedőjénél az idevonatkozó ártalmatlanítási előírásokkal kapcsolatosan.

## 11 Üzemzavarok elhárítása



### FIGYELMEZTETÉS!

A készüléken csak szakember végezhet javításokat. A szakszerűtlen javítások jelentős veszélyeket okozhatnak.

### A kompresszor nem jár

Hiba	Lehetséges ok	Megoldás
$U_{KAP} = 0\text{ V}$	Szakadás az akkumulátor és az elektronika közötti csatlakozóvezetékben	Állítsa helyre a csatlakozást
	A főkapcsoló (ha van) meghibásodott	Cserélje ki a főkapcsolót
	A kiegészítő vezetékbiztosíték (ha van) átégett	Cserélje ki a vezetékbiztosítékot
$U_{KAP} \leq U_{BE}$	Az akkumulátorfeszültség túl alacsony	Töltse fel az akkumulátort

Hiba	Lehetséges ok	Megoldás
Indítási kísérlet: $U_{KAP} \leq U_{KI}$	Laza kábelcsatlakozás Rossz érintkezés (korrózió)	Állítsa helyre a csatlakozást
	Az akkumulátorkapacitás túl alacsony	Cserélje ki az akkumulátort
	A kábelkeresztmetszet túl kicsi	Cserélje ki a kábelt (6. ábra, 5. oldal)
Indítási kísérlet: $U_{KAP} \geq U_{BE}$	A környezeti hőmérséklet túl magas	–
	A be- és kimeneti szellőzőlevegő áramlása nem kielégítő	Helyezze át a hűtőkészüléket
	A kondenzátor elszennyeződött	Tisztítsa meg a kondenzátort
Elektromos szakadás a kompresszorban a dugók között	A kompresszor hibás	A javítást csak engedéllyel rendelkező szervizszolgálat végezheti

$U_{KAP}$  Az elektronika pozitív és negatív kapcsa közötti feszültség

$U_{BE}$  Az elektronika csatlakozókapocsnál lévő bekapcsolási feszültsége (lásd „Műszaki leírás” fejr., 210. oldal)

$U_{KI}$  Az elektronika csatlakozókapocsnál lévő kikapcsolási feszültsége (lásd „Műszaki leírás” fejr., 210. oldal)

### A belső hőmérséklet túl alacsony „MIN” termostátállásban

Hiba	Lehetséges ok	Megoldás
A kompresszor folyamatosan jár	A termostátérzékelő nem érintkezik a párologtatónál	Rögzítse az érzékelőt
	Rövidzárlat a termostátvezetékben	Cserélje ki a termostátot
	A termostát meghibásodott	
A kompresszor hosszan jár	A fagyasztórekeszben nagyobb mennyiség lett lefagyasztva	–



**A hűtőteltjesítmény csökken, a belső hőmérséklet emelkedik**

Hiba	Lehetséges ok	Megoldás
A kompresszor hosszan / folyamatosan jár	A párologtató eljegesedett	Olvassa le a párologtatót
	A hűtőtér-szigetelés nem kielégítő (páras / nedves)	Igazítsa a fiókszigetelést / cserélje ki azt
	A környezeti hőmérséklet túl magas	–
	A be- és kimeneti szellőzőlevegő áramlása nem kielégítő	Helyezze át a hűtőkészüléket
	A kondenzátor elszennyeződött	Tisztítsa meg a kondenzátort
	A ventilátor hibás	Cserélje ki a ventilátort
A kompresszor ritkán jár	Az akkumulátorkapacitás kimerült	Töltse fel az akkumulátort


**Szokatlan zajok**

Hiba	Lehetséges ok	Megoldás
Hangos morgás	A hűtőkör alkatrésze nem tud szabadon rezegni (nekifekszik a falzatnak)	Hajlítsa le az alkatrészt óvatosan
	Idegen test szorult a hűtőszekrény és a fal közé	Távolítsa el az idegen testet
	Ventilátorzaj	–

**Rádió- vagy tévétvételi zavarok a járműben**

Hiba	Lehetséges ok	Megoldás
Vételi zavarok a kompresszor járása során	A hűtőkészülék elektronikus csatlakozása nem közvetlenül kapcsolódik az akkumulátorhoz	A hűtőkészüléket lehetőleg közvetlenül csatlakoztassa az akkumulátor pólusaihoz.

## 12 Műszaki adatok

	CD20	CD30
Csatlakozási feszültség:	12 V $\overline{=}$ / 24 V $\overline{=}$	
Kikapcsolási feszültség:	10,4 V (12 V $\overline{=}$ ) 22,8 V (24 V $\overline{=}$ )	
Bekapcsolási feszültség:	11,7 V (12 V $\overline{=}$ ) 24,2 V (24 V $\overline{=}$ )	
Névleges áram:	12 V $\overline{=}$ : 3 A 24 V $\overline{=}$ : 1,5 A	
Hűtőtéljesítmény:	-2 °C és +12 °C között	
Hasznos térfogat:	20 l	30 l
Klímaosztály:	N	
Környezeti hőmérséklet:	+16 °C és +32 °C között	
Légnedvesség:	max. 90 %	
Tartós dőlésszög:	max. 30°	
Hűtőközeg mennyisége:	38 g	42 g
CO <sub>2</sub> -egyenérték:	0,054 t	0,060 t
Üvegházpotenciál (GWP):	1430	
Méretek:	<b>1</b> . ábra, 3. oldal	
Súly:	16,1 kg	18 kg
Vizsgálat / tanúsítványok:		

A hűtőkör R134a közeget tartalmaz.

Fluorozott üvegházgázokat tartalmaz

Hermetikusan zárt berendezés



**GERMANY****Dometic WAECO International GmbH**

Hollefeldstraße 63 · D-48282 Emsdetten  
 ☎ +49 (0) 2572 879-195 · 📠 +49 (0) 2572 879-322  
 Mail: info@dometic-waeco.de

**dometic.com****AUSTRALIA****Dometic Australia Pty. Ltd.**

1 John Duncan Court  
 Varsity Lakes QLD 4227  
 ☎ 1800 212121  
 📠 +61 7 55076001  
 Mail: sales@dometic.com.au

**AUSTRIA****Dometic Austria GmbH**

Neudorferstraße 108  
 A-2353 Guntramsdorf  
 ☎ +43 2236 908070  
 📠 +43 2236 90807060  
 Mail: info@dometic.at

**BENELUX****Dometic Branch Office Belgium**

Zincstraat 3  
 B-1500 Halle  
 ☎ +32 2 3598040  
 📠 +32 2 3598050  
 Mail: info@dometic.be

**BRAZIL****Dometic DO Brasil LTDA**

Avenida Paulista 1754, conj. 111  
 SP 01310-920 Sao Paulo  
 ☎ +55 11 3251 3352  
 📠 +55 11 3251 3362  
 Mail: info@dometic.com.br

**DENMARK****Dometic Denmark A/S**

Nordensvej 15, Taulov  
 DK-7000 Fredericia  
 ☎ +45 75585966  
 📠 +45 75586307  
 Mail: info@dometic.dk

**FINLAND****Dometic Finland OY**

Mestariitie 4  
 FIN-01730 Vantaa  
 ☎ +358 20 7413220  
 📠 +358 9 7593700  
 Mail: info@dometic.fi

**FRANCE****Dometic SAS**

ZA du Pré de la Dame Jeanne  
 B.P. 5  
 F-60128 Pleilly  
 ☎ +33 3 44633525  
 📠 +33 3 44633518  
 Mail: vehiculesdeloisirs@dometic.fr

**HONG KONG****Dometic Group Asia Pacific**

Suites 2207-11 / 22/F - Tower 1  
 The Gateway - 25 Canton Road,  
 Tsim Sha Tsui - Kowloon  
 ☎ +852 2 4611386  
 📠 +852 2 4665553  
 Mail: info@waeco.com.hk

**HUNGARY****Dometic Zrt. Sales Office**

Kerekgyártó u. 5.  
 H-1147 Budapest  
 ☎ +36 1 468 4400  
 📠 +36 1 468 4401  
 Mail: budapest@dometic.hu

**ITALY****Dometic Italy S.r.l.**

Via Virgilio, 3  
 I-47122 Forlì (FC)  
 ☎ +39 0543 754901  
 📠 +39 0543 754983  
 Mail: vendite@dometic.it

**JAPAN****Dometic KK**

Maekawa-Shibaura, Bldg. 2  
 2-13-9 Shibaura Minato-ku  
 Tokyo 108-0023  
 ☎ +81 3 5445 3333  
 📠 +81 3 5445 3339  
 Mail: info@dometic.jp

**MEXICO****Dometic Mx, S. de R. L. de C. V.**

Circuito Médicos No. 6 Local 1  
 Colonia Ciudad Satélite  
 CP 53100 Naucalpan de Juárez  
 Estado de México  
 ☎ +52 55 5374 4108  
 📠 +52 55 5393 4683  
 Mail: info@dometic.com.mx

**NETHERLANDS****Dometic Benelux B.V.**

Ecustraat 3  
 NL-4879 NP Etten-Leur  
 ☎ +31 76 5029000  
 📠 +31 76 5029019  
 Mail: info@dometic.nl

**NEW ZEALAND****Dometic New Zealand Ltd.**

PO Box 12011  
 Penrose  
 Auckland 1642  
 ☎ +64 9 622 1490  
 📠 +64 9 622 1573  
 Mail: customerservices@dometic.co.nz

**NORWAY****Dometic Norway AS**

Østerøyveien 46  
 N-3232 Sandefjord  
 ☎ +47 33428450  
 📠 +47 33428459  
 Mail: firmapost@dometic.no

**POLAND****Dometic Poland Sp. z o.o.**

Ul. Puławska 435A  
 PL-02-801 Warszawa  
 ☎ +48 22 414 3200  
 📠 +48 22 414 3201  
 Mail: info@dometic.pl

**PORTUGAL****Dometic Spain, S.L.**

Branch Office em Portugal  
 Rot. de São Gonçalo nº 1 – Esc. 12  
 2775-399 Carcavelos  
 ☎ +351 219 244 173  
 📠 +351 219 243 206  
 Mail: info@dometic.pt

**RUSSIA****Dometic RUS LLC**

Komsomolskaya square 6-1  
 RU-107140 Moscow  
 ☎ +7 495 780 79 39  
 📠 +7 495 916 56 53  
 Mail: info@dometic.ru

**SINGAPORE****Dometic Pte Ltd**

18 Boon Lay Way 06-140 Trade Hub 21  
 Singapore 609966  
 ☎ +65 6795 3177  
 📠 +65 6862 6620  
 Mail: dometic@dometic.com.sg

**SLOVAKIA****Dometic Slovakia s.r.o. Sales Office Bratislava**

Nádražná 34/A  
 900 28 Ivanka pri Dunaji  
 ☎/📠 +421 2 45 529 680  
 Mail: bratislava@dometic.com

**SOUTH AFRICA****Dometic (Pty) Ltd.****Regional Office****South Africa & Sub-Saharan Africa**

2 Avalon Road  
 West Lake View Ext 11  
 Modderfontein 1645  
 Johannesburg  
 ☎ +27 11 4504978  
 📠 +27 11 4504976  
 Mail: info@dometic.co.za

**SPAIN****Dometic Spain S.L.**

Avda. Sierra del Guadarrama, 16  
 E-28691 Villanueva de la Cañada  
 Madrid  
 ☎ +34 91 833 60 89  
 📠 +34 900 100 245  
 Mail: info@dometic.es

**SWEDEN****Dometic Scandinavia AB**

Gustaf Melins gata 7  
 S-42131 Västra Frölunda  
 ☎ +46 31 7341100  
 📠 +46 31 7341101  
 Mail: info@dometicgroup.se

**SWITZERLAND****Dometic Switzerland AG**

Riedackerstrasse 7a  
 CH-8153 Rümlang  
 ☎ +41 44 8187171  
 📠 +41 44 8187191  
 Mail: info@dometic.ch

**UNITED ARAB EMIRATES****Dometic Middle East FZCO**

P. O. Box 17860  
 S-D 6, Jebel Ali Freezone  
 Dubai  
 ☎ +971 4 883 3858  
 📠 +971 4 883 3868  
 Mail: info@dometic.ae

**UNITED KINGDOM****Dometic UK Ltd.**

Dometic House, The Brewery  
 Blandford St. Mary  
 Dorset DT11 9LS  
 ☎ +44 344 626 0133  
 📠 +44 344 626 0143  
 Mail: customerservices@dometic.co.uk

**USA****Dometic RV Division**

1120 North Main Street  
 Elkhart, IN 46515  
 ☎ +1 574-264-2131