

AGILE PLUS S4 1150X525

THE INNOVATIVE PALLET TRUCK (1.200 KG)



AGILE

The innovative motorized pallet truck that combines electric and manual function for convenient usability. Compact, light, simple and easy to use, AGILE is the perfect pallet truck to minimize the operator effort, increasing efficiency and safety. Ideal in deliveries, supermarket, and retail shop, it can be used by everyone.



AGILE PLUS

The AGILE PLUS is equipped with a Li-ION powerful BATTERY 36V 12,8Ah and the ON BOARD COMPUTER with OLED display that supplies operator several information and the possibility to regulate the maximum travelling speed from 3,2 to 5,3 Km/h, adapting thus the operator experience to the specific application.



DOUBLE TRACTION WHEEL

The first pallet truck with two traction/steering wheels in the market. The big diameter (200mm) and tread (160mm) provide great stability without the needs of stabilizers. Non-marking rubbers grant great traction and comfortable usage on all applications.



LI-ION BATTERY

Long life 36V battery easy to remove for charging and continuous operation with the spare battery.

Two types of charger available (bench and wall mounted) with standard and fast charging time.



HIGH SPEED

The two motorwheels grant high performances and make the AGILE the fastest of the category. The AC technology and the soft non-marking rubbers make the AGILE an extremely quiet unit.



ELECTRIC / MANUAL SWITCH

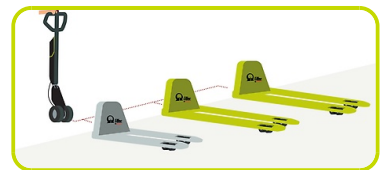
The AGILE is equipped with a MANUAL SWITCH that can be used in the eventual case of low battery: electro brakes are released and the small friction created makes the AGILE as reliable as a standard pallet truck.

On order to move the unit in narrow space AGILE is equipped with TURTLE SWITCH to allow for operation with the tiller in vertical position on reduced speed.



ALL FRAMES USE

Separate drive unit can be combined with frames of any size or metal (steel painted, galvanized, stainless steel) with a low impact cost and short delivery time. Please ask to your Pramac dealer for the combination requested.



LOW MAINTENANCE COST

Simple design with very few components and wiring enabling easy and fast maintenance.



ON-BOARD COMPUTER

Front OLED display with 6 selectable screens provides valuable info on truck activity and allows performance setup:

Pressing the central SCROLL button, operator can get information on:

- Battery status of charge (% of charge)
- Timers (total and partial in h)
- Odometer (total and partial in km)
- Speed setting (% of max speed)
- Diagnostic
- Error page



OPTIONS

- Quicklift hydraulic pump to lift the pallet in just two strokes
- Additional battery for continuous use
- Fast charging battery charger



Kennzeichen

1.1 Hersteller			PR INDUSTRIAL
Lift			Manuell
1.3 Antrieb			ELECTRIC
1.4 Bedienung			Begleitend
1.5 Tragfähigkeit	Q	Kg	1200
1.6 Lastschwerpunkt	c	mm	600
1.8 Lastabstand	x	mm	932
1.9 Radstand	y	mm	1192

Gewicht

2.1 Eigengewicht (inkl. Batterie)		Kg	88
2.2 Achslast mit Last hinten		Kg	891
2.2 Achslast, mit Last vorne		Kg	395
2.3 Achslast mit Last vorne		Kg	59
2.3 Achslast mit Last hinten		Kg	27

Fahrwerk/Räder

3.1 Räder: Lenkräder			Gummi
3.1 Bereifung: Stützräder - Vorne			POLY.I.
3.1 Räder: Lastrollen			NYLON
3.2 Reifengröße, hinten - Breite		mm	40
3.2 Räder Abmessung: Lenkräder - Durchmesser		mm	200
3.3 Reifengröße, hinten - Durchmesser		mm	82
3.3 Reifengröße, hinten - Breite		mm	60
3.5 Reifengröße: hinten - Anzahl (X=angetrieben)		Anzahl	4
3.5 Reifengröße: vorne - Anzahl (X=angetrieben)		Anzahl	2x
3.6 Spurweite, vorn	b10	mm	162
3.7 Spurweite, hinten	b11	mm	375

Grundabmessungen

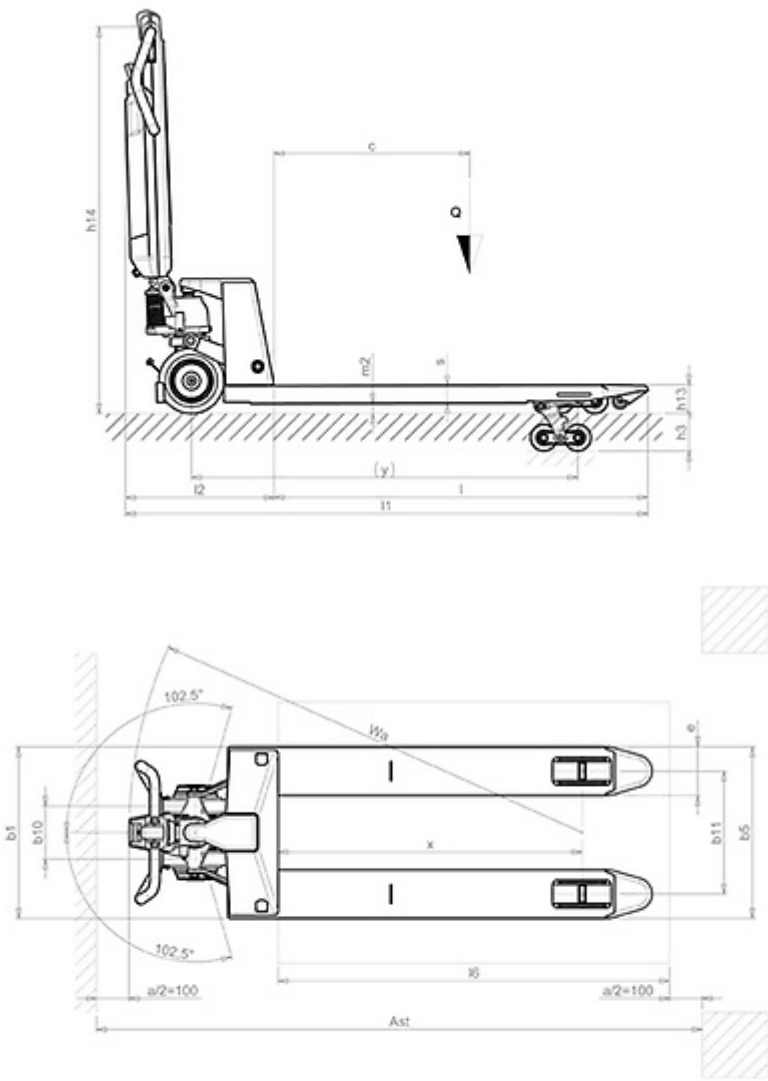
4.4 Hub	h3	mm	115
4.9 Höhe Deichsel in Fahrstellung max.	h14	mm	1185
4.9 Höhe Deichsel in Fahrstellung min.	h14	mm	710
4.15 Höhe gesenkt	h13	mm	85
4.19 Gesamtlänge	l1	mm	1600
4.20 Länge einschl. Gabelrücken	l2	mm	450
4.21 Gesamtbreite	b1	mm	525
4.22 Gabelzinkenmaße - Dicke	s	mm	55
4.22 Gabelzinkenmaße - Breite	e	mm	150
4.22 Gabelzinkenmaße - Länge	l	mm	1150
4.25 Gabelaußenabstand	b5	mm	525
4.32 Bodenfreiheit, Mitte Radstand	m2	mm	30
4.34 Arbeitsgangbreite bei Palette 800x1200 quer	Ast	mm	2063
4.35 Wenderadius	Wa	mm	1382

Leistungsdaten

5.1 Fahrgeschwindigkeit mit Last	Km/h	4.2
5.1 Fahrgeschwindigkeit ohne Last	Km/h	5.3
5.2 Hubgeschwindigkeit mit Last	strokes	12
5.2 Hubgeschwindigkeit ohne Last	strokes	12
5.3 Senkgeschwindigkeit mit Last	m/s	0.1
5.3 Senkgeschwindigkeit ohne Last	m/s	0.02
5.8 Max Steigfähigkeit mit Last	%	5
5.8 Max Steigfähigkeit ohne Last	%	10
5.10 Betriebsbremse		Elektrisch

E - motor

6.1 Fahrmotor, Leistung	kW	2x0.25
Batterietyp	Type	Li-ion
6.4 Batteriespannung	V	36
6.4 Batterie Kapazität, min	Ah	12.8
6.4 Batterie Kapazität, max	Ah	12.8
6.5 Batteriegewicht, min	Kg	3
6.5 Batteriegewicht, max	Kg	3
8.4 Schalldruckpegel, Fahrerohr	dB(A)	60



The information is aligned with the Data file at the time of download. Printed on 21/06/2019 (ID 10567)

©2019 | PR INDUSTRIAL s.r.l. | All rights reserved | Image shown may not reflect actual package. Specifications subject to change without notice

