

AQUA WHISPER PRO - SPECIFICATIONS

Performance

Rated Performance / Product Water Produced: +/-15% at 820 PSI / 56.5 bar, 77°F / 25°C & 35,000 PPM TDS typical sea water

Production

Model #	Per Hour	Per Day
450-1	19 gal / 71 lit	450 gal / 1,703 lit
700-1	29 gal / 110 lit	700 gal / 2,650 lit
900-1	38 gal / 142 lit	900 gal / 3,407 lit
900-2	38 gal / 142 lit	900 gal / 3,407 lit
1400-2	58 gal / 221 lit	1400 gal / 5,300 lit
1800-2	75 gal / 284 lit	1800 gal / 6,814 lit

Salt Rejection (Chloride Ion)

Minimum 99.2%, Average 99.4%

Product Water Temperature

Ambient to feed water temperature

Pressure Adjustment

User adjusted (manual)

Salinity Monitoring

Automatic electronic monitoring. Temperature compensated with the digital continuous readout. The salinity monitoring components of the system give a continuous TDS readout in ppm (parts per million), are temperature compensated, and of a fail safe design.

Salinity Range

Designed for seawater use up to 50,000 PPM TDS (NaCl) (typical seawater salinity is 35,000 ppm)

Temperature Range

Max. 122°F / 50°C, Min. 33°F / .5°C

System Feed Water

Flow: 4.5 gpm / 17 lpm (depending on system)

Reverse Osmosis Membrane

Selected High Rejection/High Yield aromatic tri-polyamid, thin film composite, spiral wound, single pass, high rejection reverse osmosis membrane element.

Chlorine Tolerance

0.1 PPM

pH Range

3-11 (typical seawater pH is 8)

System Pressure

Feed Water: Maximum 35 psi / 2.41 bar / 2.46 Kg/cm²

System Operation

Seawater nominal 820 psi / 56.5 bar / 57.66 Kg/cm²

Weight

Model Number	Compact	Modular
450-1	157 lbs / 69 Kg	153 lbs / 68 Kg
700-1	160 lbs / 71 Kg	156 lbs / 69 Kg
900-1	162 lbs / 72 Kg	158 lbs / 70 Kg
900-2	169 lbs / 75 Kg	165 lbs / 73 Kg
1400-2	175 lbs / 76 Kg	171 lbs / 76 Kg
1800-2	180 lbs / 80 Kg	175 lbs / 78 Kg

External Installation Water Connections

Pipe sizes to be supplied by the installer for connection of the SRC supplied components. The below pipe threads are all US Standard.

Feed Inlet:	3/4" FNPT Female National Pipe Thread
Brine Discharge:	3/4" FNPT Female National Pipe Thread
Product:	3/8" MNPT Male National Pipe Thread

Electrical Requirements

(NOA = Normal Operating Amps; SUC = Start Up Current)

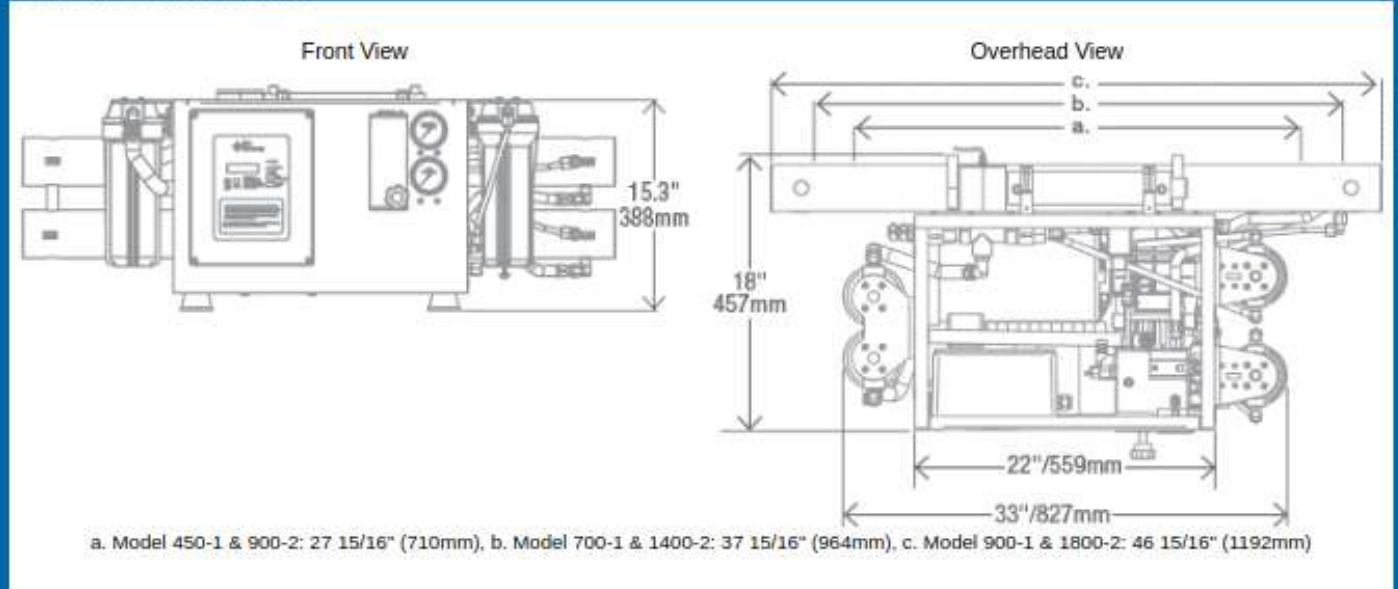
Pump Type	Phase	Pump Motor	Voltage VAC	Hz	NOA	SUC
						(110 / 220)
Plunger	Single	HP / Booster	110-115 / 220-230	50/60	30 / 15	100 / 50
Radial Axial	Single	HP / Booster	220-230 / 380-460	50/60	35 / 17.5	110 / 55
						220 / 380 - 440
Plunger	Single	HP / Booster	220-230 / 380-460	50/60	11 / 5.5	30/15
Radial Axial	Three	HP / Booster	220-230 / 380-460	50/60	11 / 5.5	30/15

Circuit Breaker Size

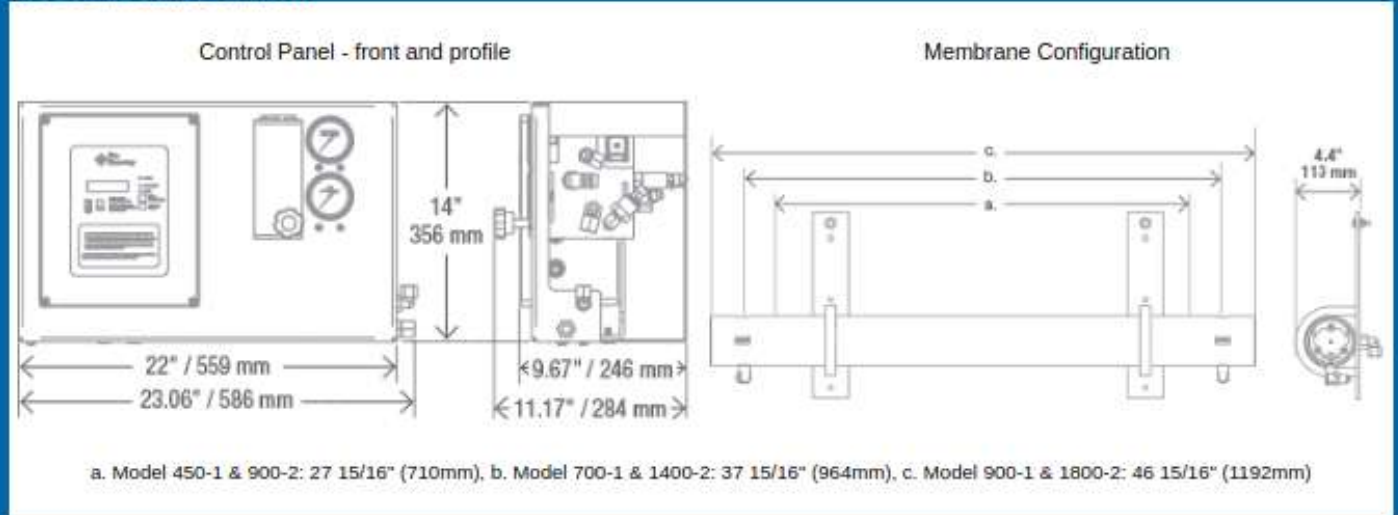
	Operating AC Voltage	Phase	Recommended circuit breaker
Plunger Pump	110-115 / 220-230	Single	40 Ampere / 20 Ampere
Radial Axial Pump	110-115 / 220-230	Single	45 Ampere / 25 Ampere
Plunger Pump	220 / 380 / 460	Three	15 Ampere / 10 Ampere / 10 Ampere
Radial Axial Pump	220 / 380 / 460	Three	15 Ampere / 10 Ampere / 10 Ampere

AQUA WHISPER PRO - DIMENSIONS

COMPACT CONFIGURATION



MODULAR CONFIGURATION



STANDARD COMPONENTS AND ACCESSORIES

