

AQUA WHISPER MINI - SPECIFICATIONS

Performance

Rated Performance / Product Water Produced: +15% at 820 PSI / 57 BAR, 77°F / 25°C & 35,000 PPM TDS typical sea water

Production	Model #	Per Hour	Per Day
	AM 170	7 gal / 26 lit	170 gal / 645 lit
	AM 350	15 gal / 55 lit	350 gal / 1,325 lit
	AM 550	23 gal / 87 lit	550 gal / 2,080 lit
	AM 750	31 gal / 118 lit	750 gal / 2,839 lit
Salt Rejection (Chloride Ion)	Minimum 99.2%, Average 99.4%		
Product Water Temperature	Ambient to feed water temperature		
Pressure Adjustment	User Adjusted		
Salinity Monitoring	Automatic electronic monitoring. Temperature compensated with the digital continuous readout. The salinity monitoring components of the system give a continuous TDS readout in ppm (parts per million), are temperature compensated, and of a fail safe design.		
Salinity Range	Designed for seawater use up to 50,000 PPM TDS (NaCl) (typical seawater salinity is 35,000 ppm)		
Temperature Range	Max. 122°F / 50°C, Min. 33°F / .5°C		
System Feed Water	Flow: 4.5 gpm / 17 lpm (depending on system)		
Reverse Osmosis Membrane	Selected High Rejection/High Yield aromatic tri-polyamid, thin film composite, spiral wound, single pass, high rejection reverse osmosis membrane element.		
Chlorine Tolerance	0.1 PPM		
pH Range	3-11 (typical seawater pH is 8)		
System Pressure	Feed Water: Maximum 35 psi / 2.41 bar / 2.46 Kg/cm ²		
System Operation	Seawater nominal 820 psi / 56.5 bar / 57.66 Kg/cm ²		

Weight

Model Number	Mini Compact	Mini Modular
AM 170	70 lbs / 32 Kg	70 lbs / 32 Kg
AM 350	89 lbs / 40.4 Kg	89 lbs / 40.4 Kg
AM 550	128 lbs / 57 Kg	128 lbs / 57 Kg
AM 750	130 lbs / 59 kg	130 lbs / 59 kg

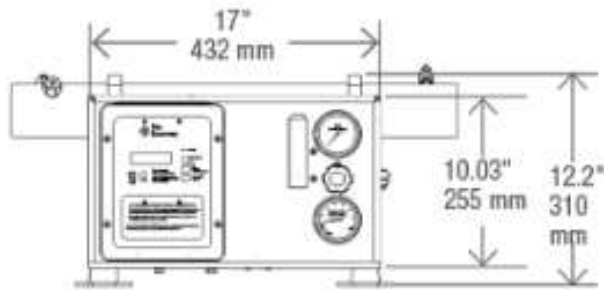
Electrical Requirements (NOA = Normal Operating Amps; SUC = Start Up Current; HP = Horse Power)

Aqua Whisper Mini 170	Phase	Pump Motor	Hz	Voltage	HP	NOA	SUC
	N/A	HP	N/A	12 / 24	.33	27/ 13.4	90 / 45
	Single	HP	50//60	110/230	.33	6.6/3.3//5.2/2.6	26 / 13
Aqua Whisper Mini 350	Phase	Pump Motor	Hz	Voltage	HP	NOA	SUC
	Single	HP	60	110 / 230	1	12.8 / 6.4	39 / 20
	Single	HP	50	110 / 230	1	12.4 / 6.2	37 / 19
Aqua Whisper Mini 550/750 (Single Phase)	Pump Motor	Hz	Voltage	HP	NOA	SUC	
	HP	50 / 60	110/220//115/230	1.75//2.1	18.9/9.4//18.2/9.1	57/28	
	Booster	50 / 60	110 / 220	0.5	9.4/4.7-7.4/3.7	28 /14	
Circuit Breaker Size - Mini 170	Operating AC Voltage	Phase	Recommended Circuit Breaker				
	12 / 24 VDC		40 Ampere / 20 Ampere				
	110 / 230 (AC)	Single	12 Ampere / 10 Ampere				
Aqua Whisper Mini 350	Operating AC Voltage	Phase	Recommended Circuit Breaker				
	110 / 230	Single	20 Ampere / 15 Ampere				
Aqua Whisper Mini 550	Operating AC Voltage	Phase	Recommended Circuit Breaker				
	110	Single	40 Ampere				
Aqua Whisper Mini 750	Operating AC Voltage	Phase	Recommended Circuit Breaker				
	220	Single	20 Ampere				

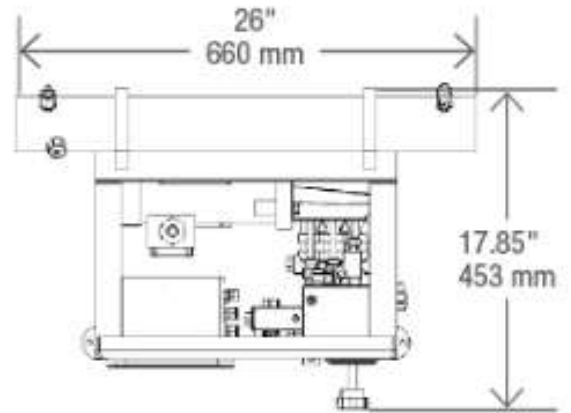
AQUA WHISPER MINI - DIMENSIONS

AQUA WHISPER MINI 170

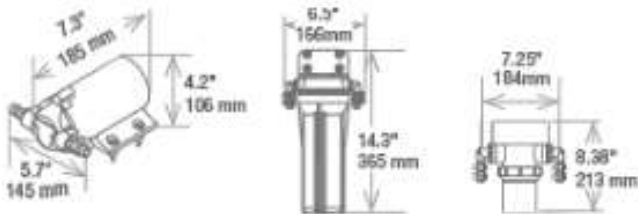
Front View



Overhead View

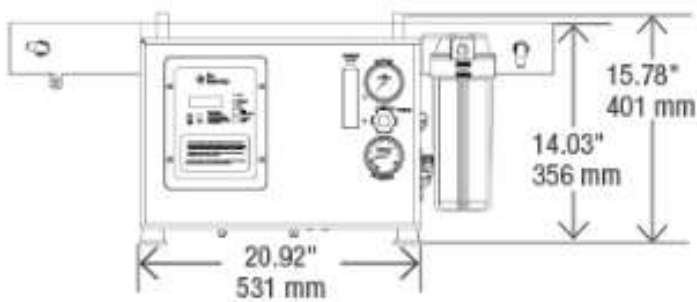


BOOSTER PUMP • PRE-FILTERS • SEA STRAINER

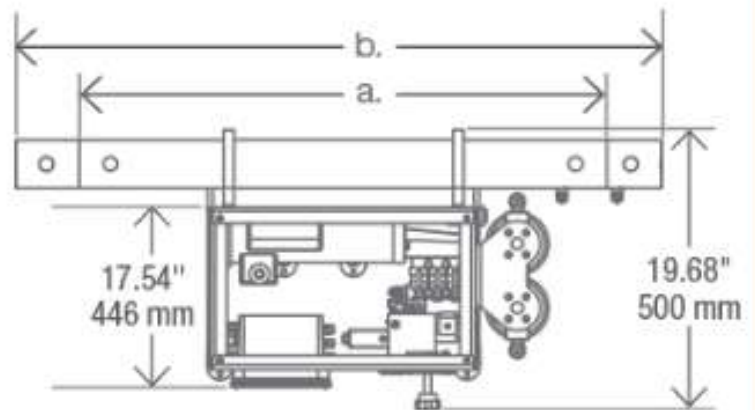


AQUA WHISPER MINI 350 | 550 | 570

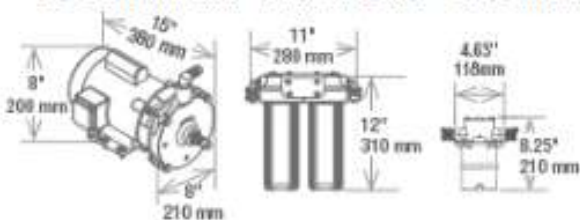
Front View



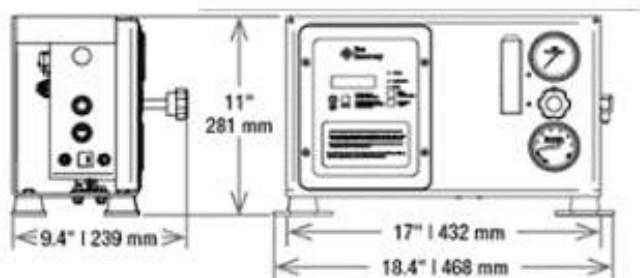
Overhead View



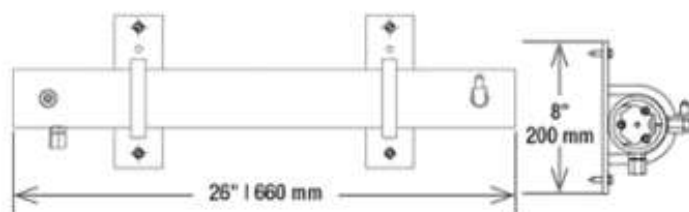
BOOSTER PUMP • PRE-FILTERS • SEA STRAINER



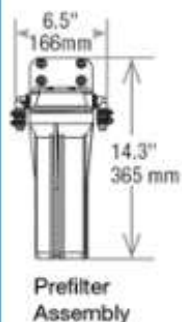
Aqua Whisper Mini Modular Control Panel



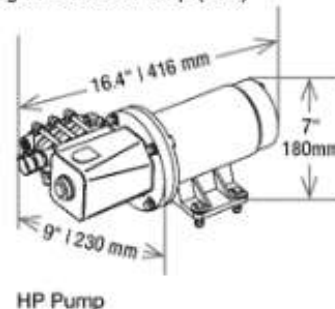
170 - Membrane Configuration



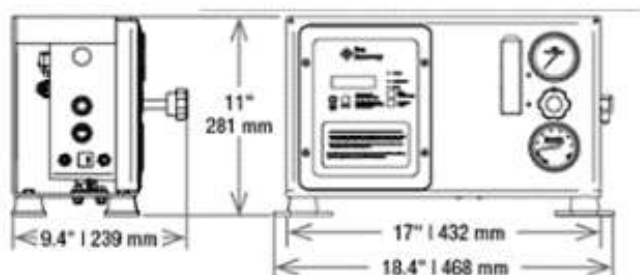
170 - filters



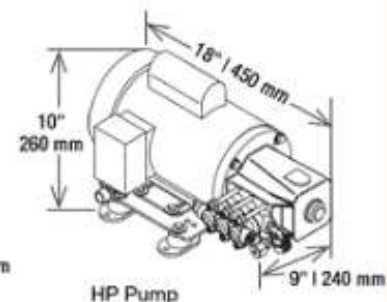
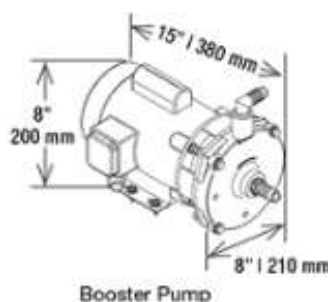
Booster Pump | High Pressure Pump (170)



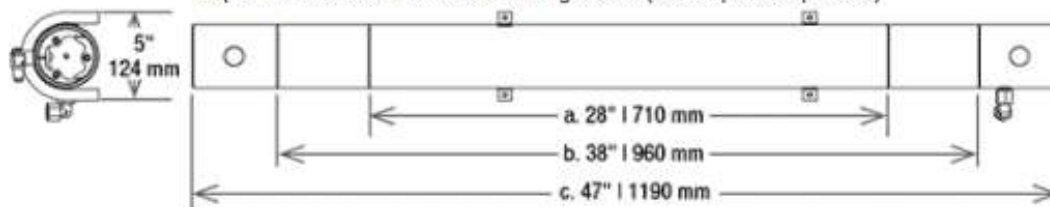
Aqua Whisper Mini Modular Control Panel



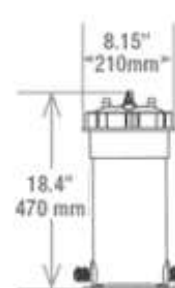
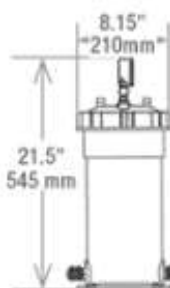
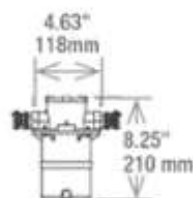
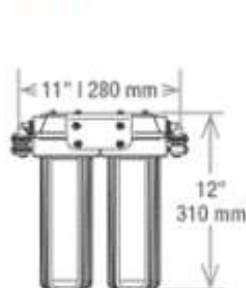
Booster Pump | High Pressure Pump



Aqua Mini Modular Membrane Configuration (a: 325 | b: 550 | c: 750)



Aqua Whisper Mini Modular Filters



Prefilter Assembly

Sea Strainer

Commercial Prefilter

OW Separator