



**AURORA**  
LIGHTING TOWERS

**AURORA LIGHTING TOWERS**  
Brand of Green Power Systems srl  
Loc. Maiano sn 61028  
Sassocorvaro Auditore (PU)  
Italia  
MADE IN ITALY

P + 39 0722 726411  
F + 39 0722 720092  
W [www.auroralightingtowers.it](http://www.auroralightingtowers.it)  
E [info@auroralightingtowers.it](mailto:info@auroralightingtowers.it)  
W [www.eptagruppo.com](http://www.eptagruppo.com)

SCHEDA TECNICA - TECHNICAL DATA SHEET - FICHE TECHNIQUE

# ZETA L 4x160



**Multiled 4x160W**



**7 mt. Max Height**



**2800 mq. Lighting Area**



**Manual Lifting**



**Light Sensor**



**355° Rotation**



**Mast Emergency Brake**



**PRESTAZIONI – FEATURE – PERFORMANCE**

Fari	Floodlights	Projecteurs	<b>4 x 160W Multiled</b>
Area illuminata	Lighting area	Surface éclairée	<b>2800 mq</b>
Lumen	Lumen	Lumen	<b>81400</b>
Temperatura di funzionamento	Operating temperature	Température de fonctionnement	<b>-25°/+50° C</b>
ON/OFF per ogni faro	ON/OFF each floodlight	ON/OFF chaque lampe	<b>STD</b>
Prese extra	Extra sockets	Extra prise	<b>1 x 16A CEE / 230 V</b>
Tensione	Voltage	Voltage	<b>230V</b>
Frequenza	Frequency	Fréquence	<b>50Hz</b>

**PALO – MAST – MÂT**

Altezza massima	Max height	Hauteur max	<b>7 m</b>
Sollevamento	Lifting	Levage	<b>Manuale – Manual - Manuel</b>
Sezioni del palo	Tower Section	Extensions	<b>4</b>
Rotazione	Turning angle	Rotation	<b>359°</b>
Resistenza massima al vento	Max wind rating	Résistance au vente	<b>100 Km/h</b>

**COFANATURA – CANOPY – CAPOT**

Stabilizzatori manuali	Manual stabilizer	Stabilizateurs manuel	<b>4</b>
Ganci di sollevamento	Lifting points	Anneaux de levage	<b>4+2</b>
Guide passaggio forche	Forklift pockets frame	Chassis avec passage des fources	<b>STD</b>

**DIMENSIONI E PESO - DIMENSIONS AND WEIGHT - DIMENSIONS ET POIDS**

Dimensioni torre chiusa	Retracted dimension	Dimensions de transport	<b>940x797x2118 mm</b>
Dimensioni torre aperta	Max dimension working mode	Dimensions ouvert	<b>1809x1666x7000 mm</b>
Peso	Weight	Poids	<b>235 kg approx.</b>



***Fino a 6 unità possono essere collegate in serie ad una singola fonte di energia***

***Up to 6 units can be connected in series to a single power source***

***Jusqu'à 6 unités peuvent être mises en série sur une unique source d'énergie***

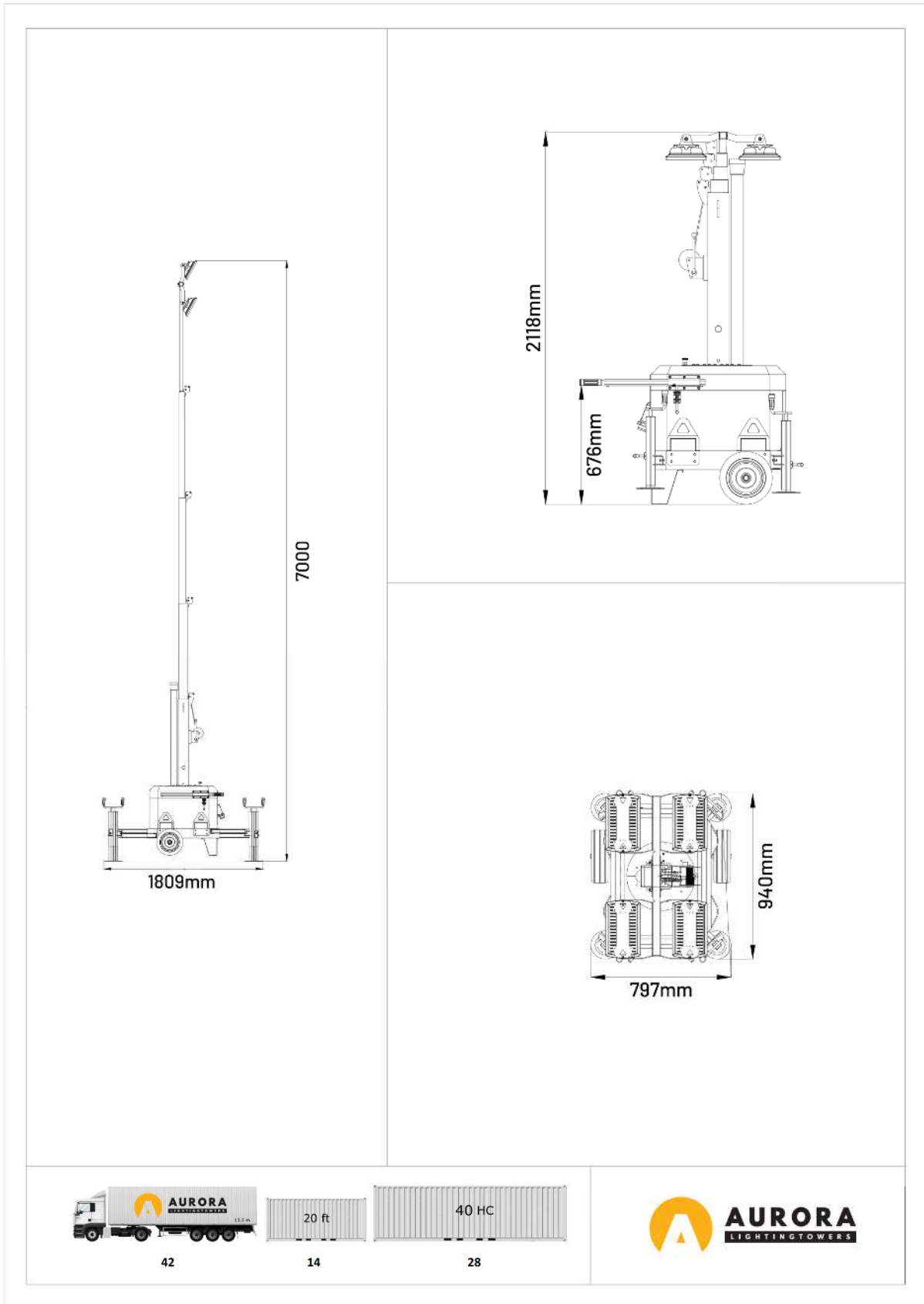


**AURORA**  
LIGHTING TOWERS

**AURORA LIGHTING TOWERS**  
Brand of Green Power Systems srl  
Loc. Maiano sn 61028  
Sassocorvaro Auditore (PU)  
Italia  
MADE IN ITALY

P + 39 0722 726411  
F + 39 0722 720092  
W [www.auroralightingtowers.it](http://www.auroralightingtowers.it)  
E [info@auroralightingtowers.it](mailto:info@auroralightingtowers.it)  
W [www.eptagruppo.com](http://www.eptagruppo.com)

DISEGNI - DRAWS - DESSINS



- Le specifiche tecniche sono soggette a variazioni senza preavviso
- The technical specifications are exposed to alterations without notice
- Nous nous réservons le droit de changer les spécifications techniques sans préavis