

TECHNICAL DATASHEET

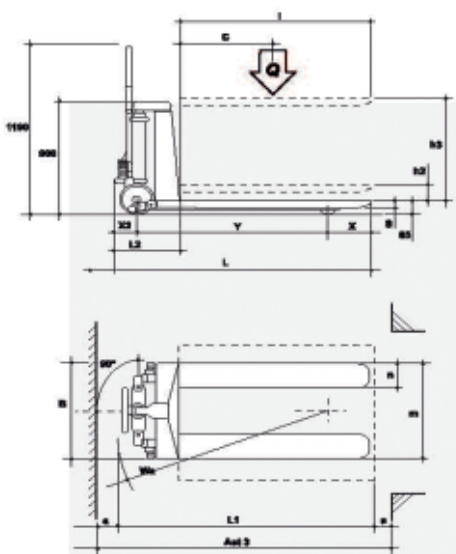
Manual scissor lift pallet truck

Pallet truck with manual scissor lift at 800 mm designed and manufactured to keep the goods at the suitable height to collect/deposit the loads reducing the operator's effort. It is entirely built in stainless steel AISI 304 (including the pump and the hydraulic components) suitable to work in the aggressive and corrosive environments where the cleaning and the hygiene are the most required values and where there is serious problem of corrosion related to the use of corrosive acids and saline solutions. The bearings are sealed waterproof and the bushings are polyamide as required by the food industry. It is the ideal and clean solution for the handling in the agrifood, chemical and pharmaceutical industries. It is corrosion-proof, maneuverable and ergonomic and it is built to withstand regular high-pressure cleaning and disinfection satisfying the strictest hygienic regulations. It is also available in stainless steel AISI 316.



Technical features

- corrosion-proof chassis for aggressive and corrosive environments
- ergonomic tiller arm, robust long-term durable structure
- built to withstand regular high-pressure cleaning and disinfection avoiding the spread of germs and bacteria
- hygienic features and easy access to the components (lower cleaning and maintenance cost)
- easy to handle, quick lifting
- maximum side stability when lifted



Q	t	1.0
C	mm	600
I	mm	1.150
L	mm	1.500
X	mm	155
X2	mm	115
Y	mm	1.230
L2	mm	350
L1	mm	1.750
M	mm	550
N	mm	170
B	mm	550
S	mm	50
H2	mm	95
H3	mm	715
A	mm	100
WA	mm	1.320
AST3	mm	1.520
WEIGHT	Kg	110

Options package

- stainless steel AISI 316
- tailor-made chassis to handle special loads
- custom forks length and width

Model: Bada TMS-80



Codice: UMR.TMS80.EN.REV.02 Edition: 06/2018 Language: English

BADA
INOX ■■■■■

Info: +39.0424.382080

info@badacarrelli.com