



Easy portable



Lightweight



Stage V

Lightweight and easily transportable, the portable generators of the I-BE series are equipped with a Briggs&Stratton 3000 rpm, stage V petrol engine.



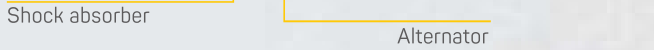
# I-BE SERIES

# STANDARD EQUIPMENT



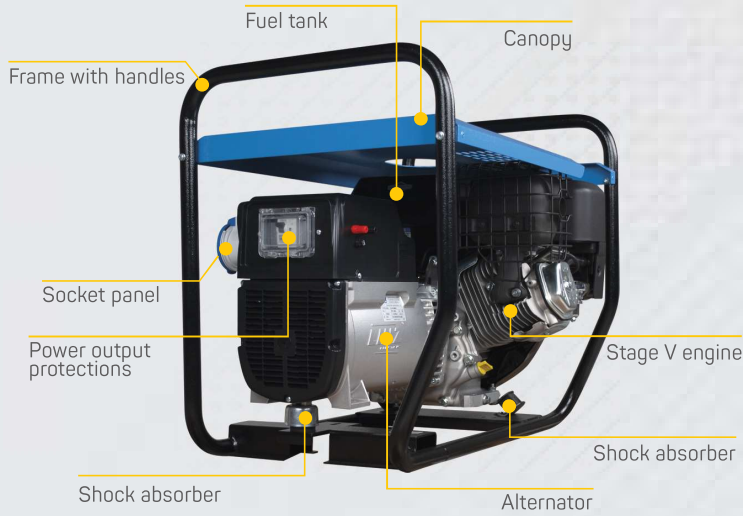
## MG 3000 - 4000 - 5000 I-BE

Low oil level shutdown device  
 2 x 230 V single-phase sockets  
 Power outputs protections



## MG 8000 I-BE

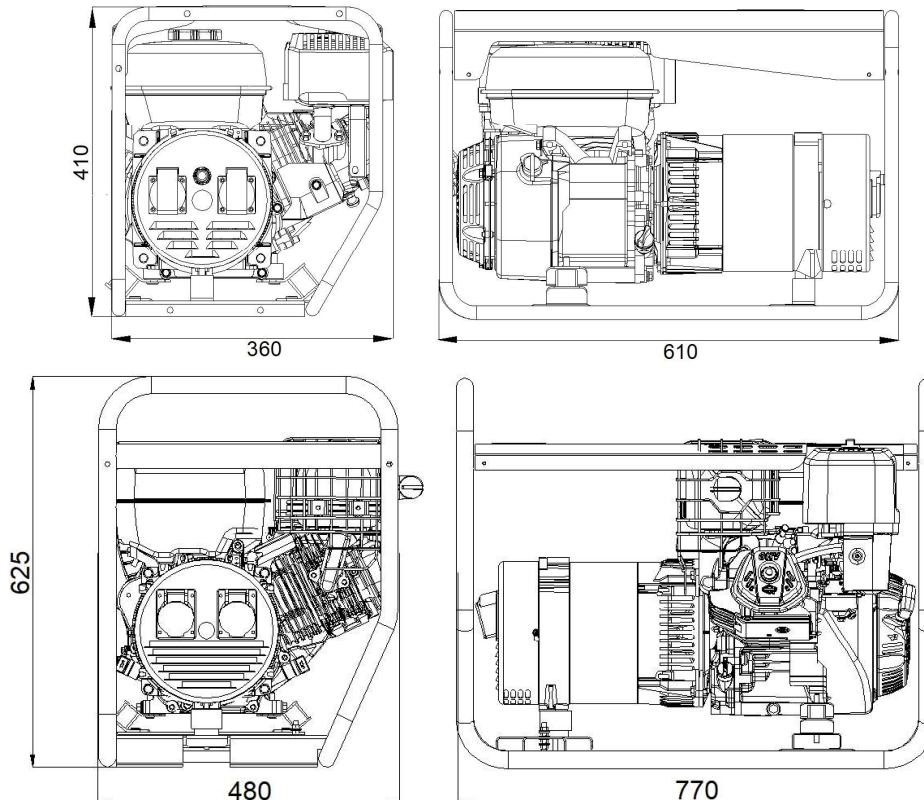
Low oil level shutdown device  
 2 x 16 A - 230 V single-phase sockets  
 Power outputs protections



## MG 7/5 I-BE

Low oil level shutdown device  
 1 x 16 A - 400 V three-phase socket  
 1 x 16 A - 230 V single-phase socket  
 Power outputs protections

## DIMENSIONS IN MM



# I-BE SERIES

# TECHNICAL DATA

|                         | MG 3000 I-BE      | MG 4000 I-BE     | MG 5000 I-BE      | MG 8000 I-BE      | MG 7/5 I-BE       |
|-------------------------|-------------------|------------------|-------------------|-------------------|-------------------|
| Noise level<br>Lwa      | 97 (72 dB a 7 mt) |                  | 98 (73 dB a 7 mt) |                   |                   |
| AC generator-50Hz       | Synchronous       |                  |                   |                   |                   |
| Three-phase max. power  |                   |                  |                   |                   | 7,5 kVA - 400 V   |
| Single-phase max. power | 3 kVA - 230 V     | 3,85 kVA - 230 V | 5 kVA - 230 V     | 7 kVA - 230 V     | 4 kVA - 230 V     |
| Power Factor            | cos φ 0,8         |                  |                   |                   |                   |
| B&S 3000 RPM engine     | XR750             | XR950            | XR1450            | XR2100            | XR2100            |
| Fuel                    | Petrol            |                  |                   |                   |                   |
| No. cylinders           | 1                 |                  |                   |                   |                   |
| Power                   | 4,3 HP (3,2 kWm)  | 5,4 HP (4 kWm)   | 8,3 HP (6,1 kWm)  | 11,9 HP (8,9 kWm) | 11,9 HP (8,9 kWm) |
| Displacement            | 163 cm3           | 208 cm3          | 306 cm3           | 420 cm3           | 420 cm3           |
| Cooling system          | Air               |                  |                   |                   |                   |
| Starting system         | Recoil            |                  |                   |                   |                   |
| Fuel tank capacity      | 3,1 lt            | 3,1 lt           | 5,3 lt            | 6,6 lt            | 6,6 lt            |
| Fuel consumption @75%   | 1,4 lt/h          | 1,7 lt/h         | 2,5 lt/h          | 3,6 lt/h          | 3,6 lt/h          |
| Insulation Class        | H                 |                  |                   |                   |                   |
| Ambient temperature     | 40 °C             |                  |                   |                   |                   |
| Altitude                | 1000 mt           |                  |                   |                   |                   |
| Degree of protection    | IP 23             |                  |                   |                   |                   |
| Dimensions (LxWxH)      | 610x360x410 mm    |                  | 770x480x625 mm    |                   |                   |
| Dry weight              | 38 kg             | 40 kg            | 62 kg             | 84 kg             | 84 kg             |



MG 5000 I-BE

MG 8000 I-BE

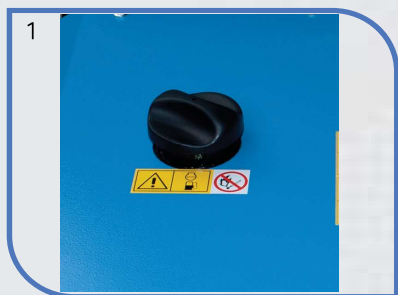
MG 7/5 I-BE

Options on request

- 1- 25 lt fuel tank
- Automatic voltage regulator (AVR)

Accessories

- 2- 2 wheels trolley with handles



NOTE

---

---

---

---

---

