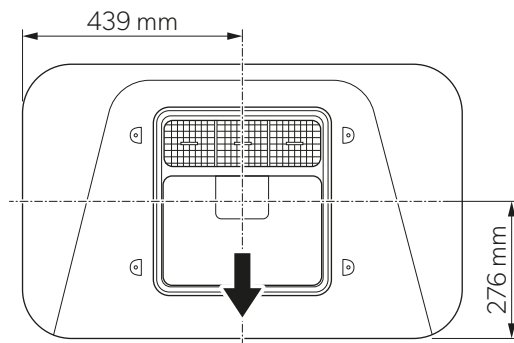
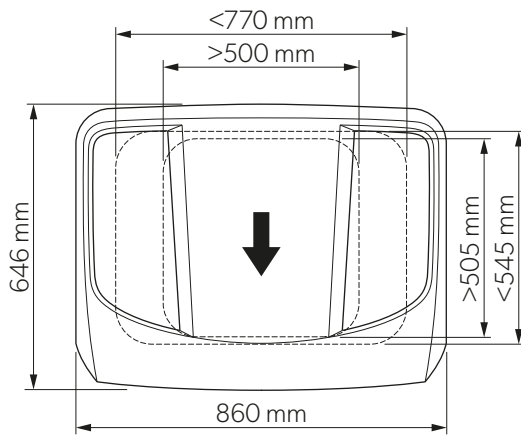
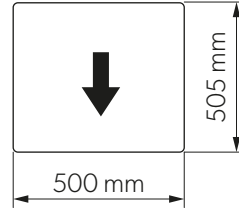
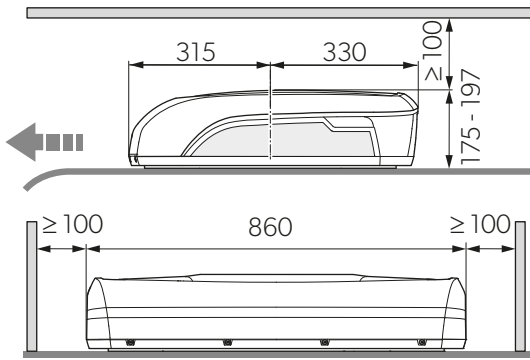
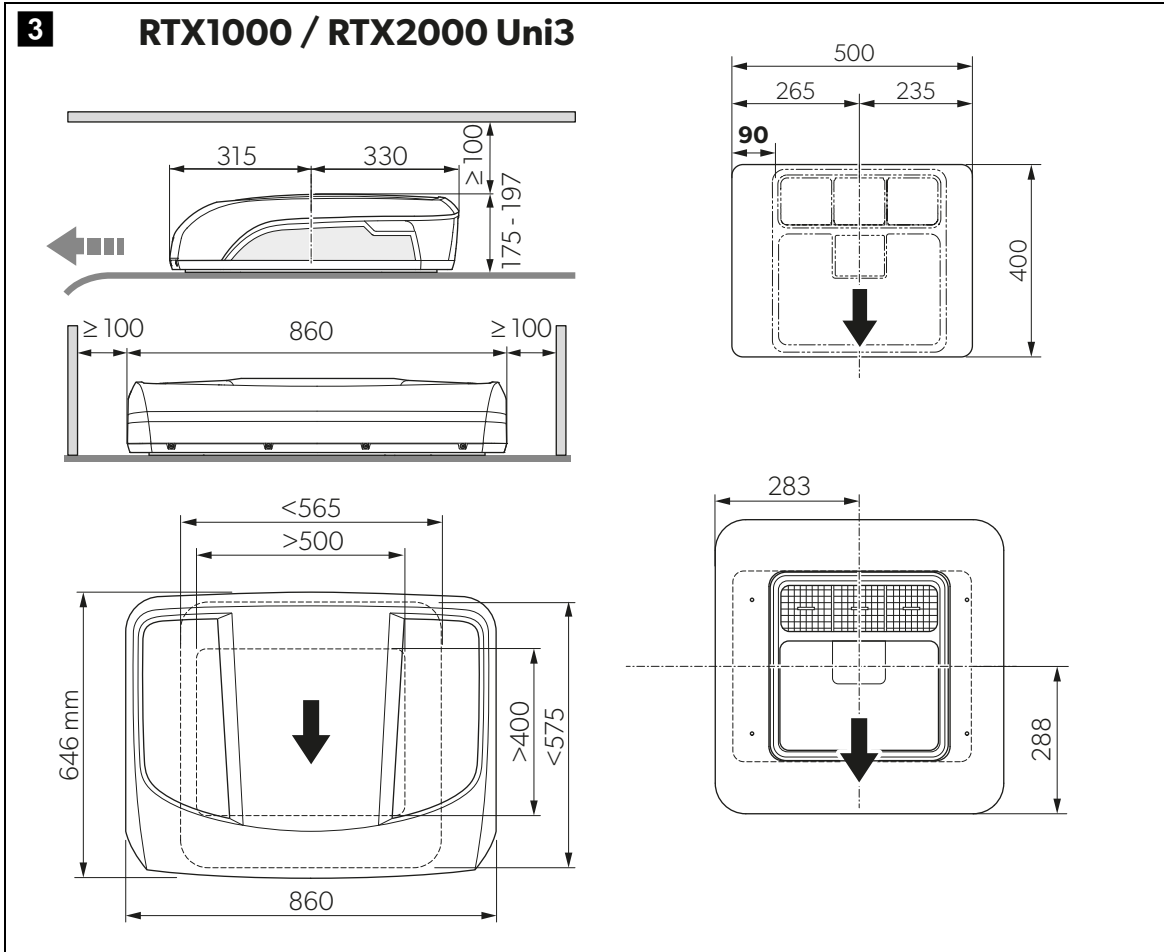
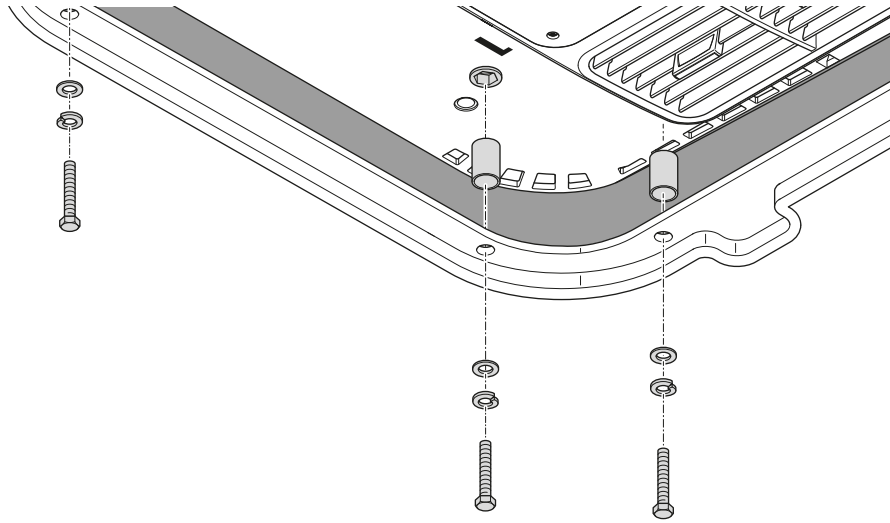


**2** RTX1000 / RTX2000 Uni2

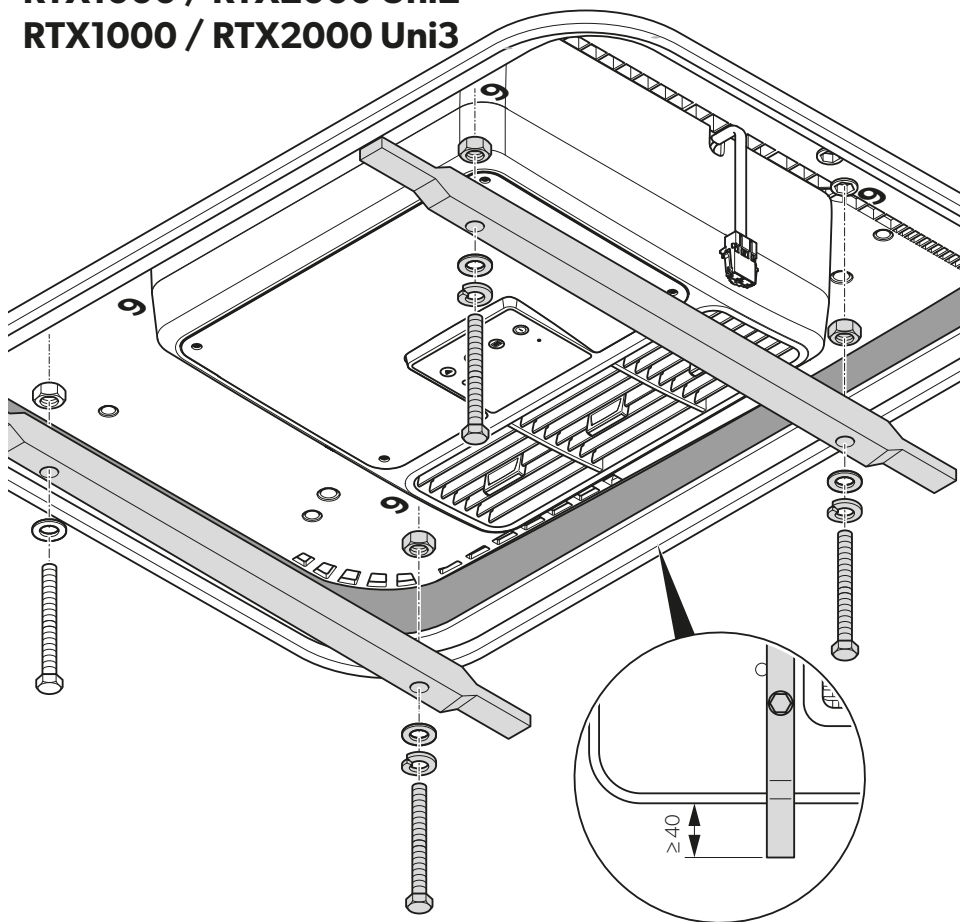




**4** RTX1000 / RTX2000 Uni1



**5** RTX1000 / RTX2000 Uni2  
RTX1000 / RTX2000 Uni3



Please read these instructions carefully and follow all instructions, guidelines, and warnings included in this product manual in order to ensure that you install, use, and maintain the product properly at all times. These instructions **MUST** stay with this product.

By using the product, you hereby confirm that you have read all instructions, guidelines, and warnings carefully and that you understand and agree to abide by the terms and conditions as set forth herein. You agree to use this product only for the intended purpose and application and in accordance with the instructions, guidelines, and warnings as set forth in this product manual as well as in accordance with all applicable laws and regulations. A failure to read and follow the instructions and warnings set forth herein may result in an injury to yourself and others, damage to your product or damage to other property in the vicinity. This product manual, including the instructions, guidelines, and warnings, and related documentation, may be subject to changes and updates. For up-to-date product information, please visit [documents.dometic.com](http://documents.dometic.com).

## Contents

1	Requirements for installation . . . . .	7
1.1	General . . . . .	7
1.2	Electrical requirements . . . . .	8
1.3	Constructional requirements . . . . .	8
1.4	RTX1000, RTX2000 . . . . .	9

# 1 Requirements for installation

## 1.1 General

The parking cooler is **not** suitable for installation in construction machines, agricultural machines or similar equipment. They will not work properly if exposed to strong vibrations.

The parking cooler must not be installed in or instead of roof hatches that are intended or declared as emergency exits.

The parking cooler may only be fitted to vehicles with sufficient suspension, such as spring-loaded truck cabs or transporters or vans.

As the parking cooler uses R134a as refrigerant with a GWP >150, there may be national restrictions for the installation of the appliance on certain vehicles. Please check in advance whether the national requirements permit the installation of the parking cooler on your vehicle.

The roof of your vehicle must be designed for the static weight of the RTX parking cooler and for the loads produced by the parking cooler when the vehicle is stationary and when the vehicle is moving. If a roof cutout is required (e.g. if there is no existing roof hatch opening or the roof hatch opening is not suitable and cannot be used), it is mandatory to check with the manufacturer of your vehicle whether this is permissible and what must be observed to ensure that the vehicle's registration does not expire.

The maximum travel speed permitted is 130 km/h, as noise or damage could occur depending on the vehicle design or installation position.

After installation of the parking cooler, the total vehicle height including the parking cooler must not exceed 4 m.

The weights of the parking coolers totals are:

- RTX1000 24 V: approx. 22.8 kg
- RTX2000 24 V: approx. 31.5 kg
- RTX1000 12 V: approx. 24 kg
- RTX2000 12 V: approx. 33 kg

## 1.2 Electrical requirements

- Battery capacity: min. 170 Ah for each battery.  
To guarantee an optimal operating time, two batteries with 225 Ah each or greater are recommended.
- Input voltage:
  - 12 V $\overline{=}$  parking coolers: between 10 V $\overline{=}$  and 15 V $\overline{=}$
  - 24 V $\overline{=}$  parking coolers: between 20 V $\overline{=}$  and 30 V $\overline{=}$

## 1.3 Constructional requirements

Before installing the parking cooler, check whether any vehicle components could be damaged or have their function impaired as a result of the installation, see dimensions.

Dimensions:

- RTX1000/RTX2000 Uni1: fig. **1**, page 3
- RTX1000/RTX2000 Uni2: fig. **2**, page 4
- RTX1000/RTX2000 Uni3: fig. **3**, page 5

The maximum dimension refers to the contact face required for the seal. The minimum size refers to the diameter of the opening required.

For parking coolers with cover frame: The cover frame is screwed from below to the air conditioner inside the cab. This requires a certain area of roof lining to be available (see fig. **1**, page 3 to fig. **3**, page 5).

The angle of the installation area must be observed. The defined values apply to the vertically and to the horizontally aligned unit. Larger tilt angles may cause damage to the compressor. Where appropriate, the tilt of the unit can be adjusted with spacer sleeves.

## 1.4 RTX1000, RTX2000

- Roof thickness (distance between contact faces of seals and cover frame):
  - With a 10 x 20 mm seal: 50 – 85 mm
  - With a 35 x 20 mm seal: 28 – 63 mm
- Dimensions:
  - RTX1000/RTX2000 Uni1: fig. **1**, page 3
  - RTX1000/RTX2000 Uni2: fig. **2**, page 4
  - RTX1000/RTX2000 Uni3: fig. **3**, page 5
- Angle of the installation area:
  - RTX1000: max. 8° (to the front)
  - RTX2000: max. 20° (to the front)
- Installation method:
  - RTX1000/RTX2000 Uni1: fig. **4**, page 6
  - RTX1000/RTX2000 Uni2/Uni3: fig. **5**, page 6