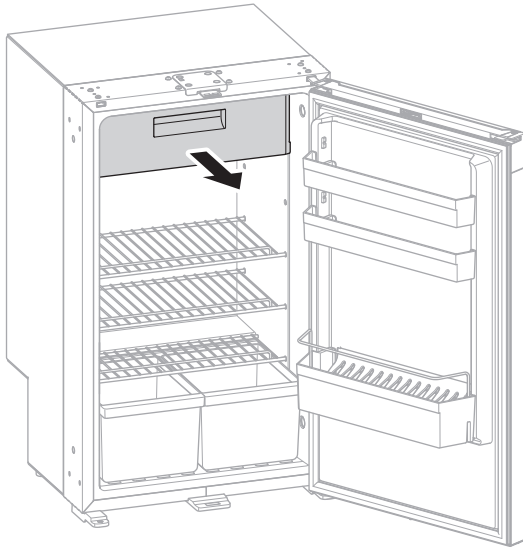


8



Please read these instructions carefully and follow all instructions, guidelines, and warnings included in this product manual in order to ensure that you install, use, and maintain the product properly at all times. These instructions **MUST** stay with this product.

By using the product, you hereby confirm that you have read all instructions, guidelines, and warnings carefully and that you understand and agree to abide by the terms and conditions as set forth herein. You agree to use this product only for the intended purpose and application and in accordance with the instructions, guidelines, and warnings as set forth in this product manual as well as in accordance with all applicable laws and regulations. A failure to read and follow the instructions and warnings set forth herein may result in an injury to yourself and others, damage to your product or damage to other property in the vicinity. This product manual, including the instructions, guidelines, and warnings, and related documentation, may be subject to changes and updates. For up-to-date product information, please visit documents.dometic.com, dometic.com.

Related documents



You find the detailed operating manual online at documents.dometic.com/?object_id=86590

Explanation of symbols



WARNING!

Safety instruction: Indicates a hazardous situation that, if not avoided, could result in death or serious injury.



CAUTION!

Safety instruction: Indicates a hazardous situation that, if not avoided, could result in minor or moderate injury.



NOTICE!

Indicates a situation that, if not avoided, can result in property damage.



NOTE

Supplementary information for operating the product.

Safety instructions

General safety



WARNING! Failure to obey these warnings could result in death or serious injury.

Electrocution hazard

- Installation and removal of the refrigerator may only be carried out by qualified personnel.

- Do not operate the refrigerator if it is visibly damaged.
- This refrigerator may only be repaired by qualified personnel. Improper repairs can result in considerable danger or damage to the refrigerator.
- If the power cable for this refrigerator is damaged, it must be replaced by the manufacturer, customer service or a similarly qualified person in order to prevent safety hazards.
- When positioning the refrigerator, ensure the supply cord is not trapped or damaged.
- Plug the device to sockets that ensure proper connection especially when the device needs to be grounded.

Fire hazard

- The refrigerant in the refrigerant circuit is highly flammable and in the event of a leakage combustible gases could build up if the appliance is in a small room.
In the event of any damage to the refrigerant circuit:
 - Keep naked flames and potential ignition sources away from the refrigerator.
 - Ventilate the room well.
 - Switch off the refrigerator.

For refrigerators with R600a refrigerant:

- The refrigeration circuit contains a small quantity of an environmentally friendly but flammable refrigerant. It does not damage the ozone layer and does not increase the greenhouse effect. Any leaking refrigerant may ignite.
- Do not use or store the refrigerator in confined spaces with none or minimal air flow.
- Keep the installation recess for the refrigerator free of any electrical components and luminaires which during normal or abnormal operation produce sparks or arcs (i.e. relays or fuse boxes).

Explosion hazard

- Do not store any explosive substances, such as aerosol cans with propellants, in the refrigerator.

Health hazard

- This refrigerator can be used by children aged from 8 years and above and persons with reduced physical, sensory or mental capabilities or lack of experience and knowledge if they have been given supervision or instruction concerning use of the refrigerator in a safe way and understand the hazards involved.

- Children aged from 3 to 8 years are allowed to load and unload the refrigerator.
- Cleaning and user maintenance shall not be made by children without supervision.
- Children must be supervised to ensure that they do not play with the refrigerator.
- Attach the winter covers of the ventilation grille (accessories) when the vehicle is cleaned from the outside or not used for a prolonged period of time.
- The refrigerator may not be exposed to rain.

Risk of child entrapment

- Ensure that the shelves are mounted and secured so that children cannot lock themselves in the refrigerator.
- Before disposing of your old refrigerator:
 - Dismantle the drawers.
 - Leave the shelves in the refrigerator so that children cannot climb inside.
 - Take off the doors.



CAUTION! Failure to obey these cautions could result in minor or moderate injury.

Health hazard

- To avoid a hazard due to instability of the refrigerator, it must be fixed in accordance with the installation instructions.
- Keep ventilation openings, on the refrigerator and in its enclosure or in the built-in structure, clear of obstruction.
- Do not use mechanical devices or other means to accelerate the defrosting process, other than those recommended by the manufacturer.
- Do not open or damage the refrigerant circuit under any circumstances.
- Do not use electrical devices inside the refrigerator unless they are recommended by the manufacturer for that purpose.

Risk of injury

- Do not use or store flammable materials in or near this refrigerator.
- Do not place articles on or against this refrigerator.
- Do not modify this refrigerator.



NOTICE!
Damage hazard

- Check that the voltage specification on the data plate is the same as that of the power supply.
- Do not place the refrigerator near heat sources (heaters, direct sunlight, gas ovens, etc.).
- Keep the condensate drain clean at all times.
- Do not use a high-pressure cleaner near the ventilation grille when cleaning the vehicle.

Safety when operating



CAUTION! Failure to obey these cautions could result in minor or moderate injury.

Health hazard

- Ensure to put only items in the refrigerator which may be chilled at the selected temperature.
- Food may only be stored in its original packaging or in suitable containers.
- Opening the door for long periods can cause significant increase of the temperature in the compartments of the refrigerator.
- Clean regularly surfaces that can come in contact with food and accessible drainage systems.
- Store raw meat and fish in suitable containers in the refrigerator, so that it is not in contact with and cannot drip onto other food.
- If the refrigerator is left empty for long periods:
 - Switch off the refrigerator.
 - Defrost the refrigerator.
 - Clean and dry the refrigerator.
 - Leave the door open to prevent mold developing within the refrigerator.

Risk of injury

- Do not put your fingers into the hinge.
- Close and latch the refrigerator door before beginning a journey.
- The cooling system at the back of the refrigerator becomes very hot during operation. Protect yourself from coming into contact with hot parts when removing ventilation grilles.



NOTICE! Damage hazard

- Do not lean on the open refrigerator door.
- Store heavy objects such as bottles or cans only in the refrigerator door, in the vegetable compartment or on the bottom shelf.
- If the refrigerator has a double-sided door and the door is not locked correctly on the opposite side, push on that side at the top and the bottom until it locks in place.
- Ensure that the ventilation openings are not covered.

• **Danger of overheating!**

Always ensure sufficient ventilation so that the heat generated during operation can dissipate. Ensure that the refrigerator is sufficiently far away from walls and other objects so that the air can circulate.

- Do not fill the interior with ice or fluid.
- Protect the refrigerator and the cable against heat and moisture.

NOTE

- If the battery management of your vehicle shuts down the refrigerator to protect the battery, contact your vehicle manufacturer.
- Put the refrigerator door and the freezer door into the winter position if the refrigerator will not be used for a longer period of time. This prevents mold from forming.
- For ambient temperatures of +15 °C to +25 °C select the average temperature setting.
- To avoid food waste, note the following:
 - Keep temperature fluctuation as low as possible. Only open the freezer as often and for as long as necessary. Store the foodstuff in such a way that the air can still circulate well.
 - If the temperature can be adjusted: Adjust the temperature to the quantity and type of the foodstuff.
 - Store the different foodstuff types as shown in the figures.
 - Foodstuff can easily absorb or release odor or taste. Always store foodstuff covered or in closed containers/bottles.

Intended use

The refrigerator is suitable for:

- Installation in caravans, motor homes, and trucks
- Cooling and storing food
- Storing prefrozen food

This refrigerator is **not** intended to be used in household applications.

The refrigerator is **not** suitable for:

- Storing medications
- Storing corrosive substances or substances that contain solvents
- Quick-freezing food

The frozen compartment is suitable for storing pre-frozen food, storing or making ice cream and making ice cubes. It is **not** suitable for freezing previously unfrozen food.

The refrigerator is intended for installation in a piece of cabinetry or an installation niche.

This product is only suitable for the intended purpose and application in accordance with these instructions.

This manual provides information that is necessary for proper installation and/or operation of the product. Poor installation and/or improper operating or maintenance will result in unsatisfactory performance and a possible failure.

The manufacturer accepts no liability for any injury or damage to the product resulting from:

- Incorrect assembly or connection, including excess voltage
- Incorrect maintenance or use of spare parts other than original spare parts provided by the manufacturer
- Alterations to the product without express permission from the manufacturer
- Use for purposes other than those described in this manual

Dometic reserves the right to change product appearance and product specifications.

Operation

Proceed as shown:

- Information on storing food: fig. **1**, page 3
- Opening the refrigerator door: fig. **2**, page 3
- Closing and securing the refrigerator door: fig. **3**, page 3
- Switching on and off: fig. **4**, page 4
- Setting the operation modes: fig. **5**, page 4
- Setting the cooling level: fig. **6**, page 5
- Repositioning the shelves: fig. **7**, page 5
- Removing the frozen compartment: fig. **8**, page 6

Warranty

The statutory warranty period applies. If the product is defective, please contact your retailer or the manufacturer's branch in your country (see dometic.com/dealer).

For repair and warranty processing, please include the following documents when you send in the product:

- A copy of the receipt with purchasing date
- A reason for the claim or description of the fault

Note that self-repair or non-professional repair can have safety consequences and might void the warranty.

Disposal



NOTICE!

The insulation of the cooling device contains flammable cyclopentane and requires special disposal procedures. Deliver the cooling device at the end of its life-cycle to an appropriate recycling center.



- ▶ Place the packaging material in the appropriate recycling waste bins wherever possible.
- ▶ Consult a local recycling center or specialist dealer for details about how to dispose of the product in accordance with the applicable disposal regulations.