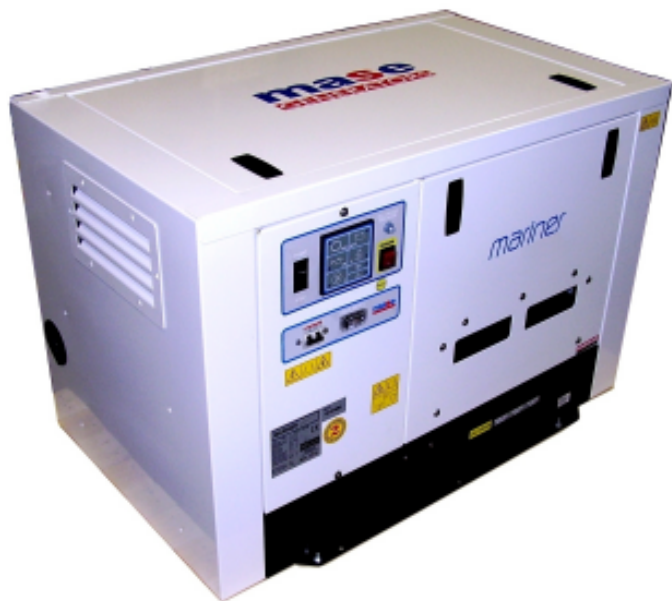


# MARINER 2400

26 kW 50 Hz

# MARINER 2800

30 kW 60 Hz



## Control Panel

The gen-set control panel was designed to include, in one single panel, the switches, control devices and the protection devices

The components are the following :

- Engine cut-off module for automatic stop of engine in case of high water temperature, low oil pressure, high alternator temperature.
- Hour-meter.
- Start-stop button.
- Breaker for protection against of overload or short circuit.
- Thermal switch for D.C. electric circuit.

## Engine

- Easy access in case of maintenance to the feeding system and lubrication, of the sea/water pump and the air filter.
- Safety stop in case of low oil pressure.
- Safety stop in case high water/exhaust gas temperature.
- Oil and fuel filters of easy access.

## Alternator

- Synchronous, 4 poles, brush less self-excited, electronic voltage regulator (AVR).
- Rotor and stator coated with epoxy resin against external agents.
- Rotor dynamically balanced.
- Insulation class H.

## Soundproof cabin

A new project engineering design with a structure of a draw piece of aluminum supporting, painted aluminum panels type 5754 of high resistance to external agents.

Good accessibility inside canopy, makes maintenance services more easy.

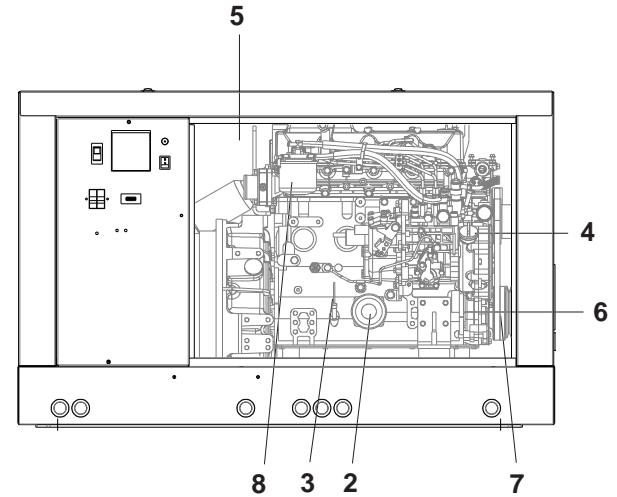
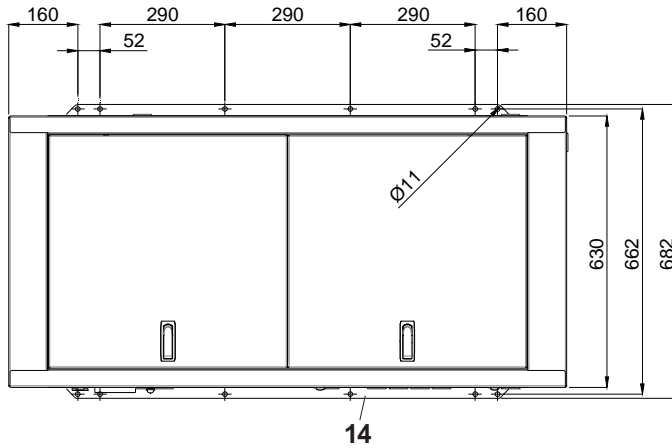
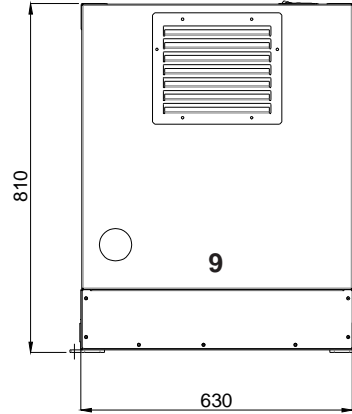
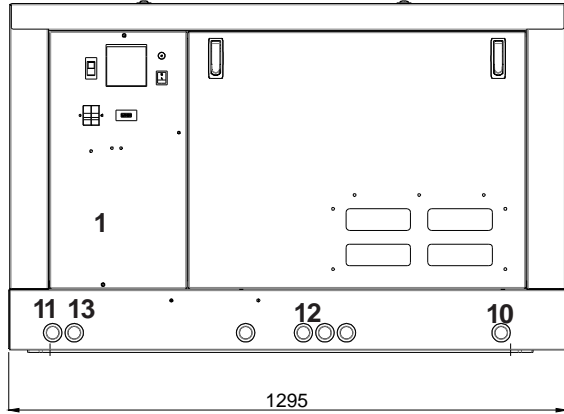
Engine	50 Hz	60 Hz
Model	Yanmar 4TNV98	
Type	Diesel 4 stroke	
Cylinders (nr.)	4	
Cylinder block material	Cast iron	
Bore (mm - in.)	98 - 3,9	
Stroke (mm - in.)	110 - 4,3	
Displacement (cc - cu.in.)	3319 - 202,5	
Power (hp)	47	56
Rated rpm	1500	1800
Combustion system	Indirect	
Engine head material	Cast iron	
Speed governor	Centrifugal mechanical	
Lubrication system	Forced	
Oil sump capacity (L - qt.)	10,5 - 11,1	
Engine stop system	Stop solenoid	
Fuel pump	Electric	
Fuel pump discharge (cm - in.)	70 - 27,6	
Full load consumption (L/h -	7,6 - 2,01	8,9 - 2,35
Starting battery (Ah-V)	80 - 12	
Battery charger (Ah-V)	40 - 12	
Starter (kW-V)	2,3 - 12	
Max. inclination	30°	
Water pump flow (L/min - gal/min)	40 - 10,6	45 - 11,9

Alternator	50 Hz	60 Hz
Type	Synchronous, 4-poles, self-excited	
Cooling	Air	
Voltage (V)	115 - 230	120 - 240
Frequency (Hz)	50	60
Current (A)	226 - 113	250 - 125
Max. power (kW)	26	30
Continuous power (kW)	24	28
Power factor ( cos $\phi$ )	1	
Insulating class	H	
Voltage stability	±2%	
Frequency stability	±5%	

## Cooling system

The cooling of the engine is based on a closed inner flow of coolant. The system is based on a cupronickel heat exchanger seawater/coolant type, where the thermal exchange occurs between coolant and seawater. Two separate pumps contribute to the flow of the coolant and the sea water.

	50 Hz	60 Hz	
Dimensions (Leng. x Width x Height)	1295 x 630 x 810 mm		(with canopy)
	51,0 x 24,8 x 31,9 in.		
Weight	625 kg , 1375 lb		(with canopy)
Noise power level	54 dBA @ 7mt	56 dBA @ 7mt	



- 1 - Control panel
- 2 - Oil filter cartridge
- 3 - Oil dipstick
- 4 - Oil top up cap
- 5 - Air filter
- 6 - Engine water pump
- 7 - Seawater pump

- 8 - Fuel filter
- 9 - Sea outlet (Ø 75mm)
- 10 - Sea inlet (Ø 25mm)
- 11 - Battery connection
- 12 - Fuel tank connection (Ø 8mm)
- 13 - Electric cable connection
- 14 - Fixing brackets

## FITTINGS

EXHAUST GAS KIT

SIPHON BREAK

WATER-GAS SEPARATOR KIT

REMOTE CONTROL PANEL WITH INSTRUMENTS

*This drawing is only a reference and is not indicated for the installation. For more information, you may contact your local dealer or **mase** generators S.p.A..*

**mase** generators S.p.A. reserves the right to change the design or specifications without notice and without any obligations or liability whatsoever. For more information, you may contact your local **mase** dealer.

Dealer: