



		FM 80H	FM 7.5H
a.c. output	230 V	<sup>1</sup> max.kW	5,6
	50 Hz 1~	<sup>2</sup> cont.kW	5
power factor		cos ø	1
a.c. output	400 V	max .kVA	7
	50 Hz 3~	cont .kVA	6,5
power factor		cos ø	0,8
fuel		Gasoline	
starting		manual	
alternator		synchronous	
engine		HONDA GX390	
cooling system		air	
displacement		c.c.	389
n° cylinders			1
prime power		HP	11,5
R.P.M.			3000
fuel tank capacity		lt.	6,5
¾ load operating hours		h	2,5
sound power level		L <sub>wA</sub>	100
acoustic pressure at 7 mt.		dB(A)	75

		FM 80H	FM 7.5H	
DIMENSIONS	L	725	725	mm
	W	515	515	mm
	H	585	585	mm
WEIGHT		93	95	kg

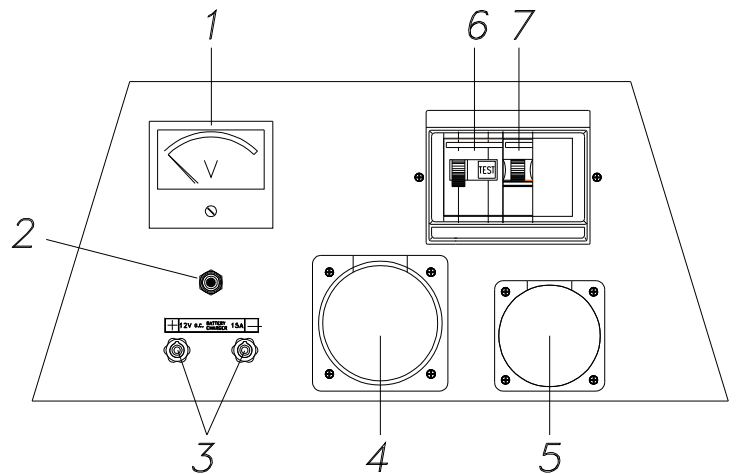
<sup>(1)</sup> **Stand-by power:**  
power available for emergency

<sup>(2)</sup> **Prime power:** maximum power  
available at variable loads for an  
unlimited numbers of hours

## CONTROL PANELS

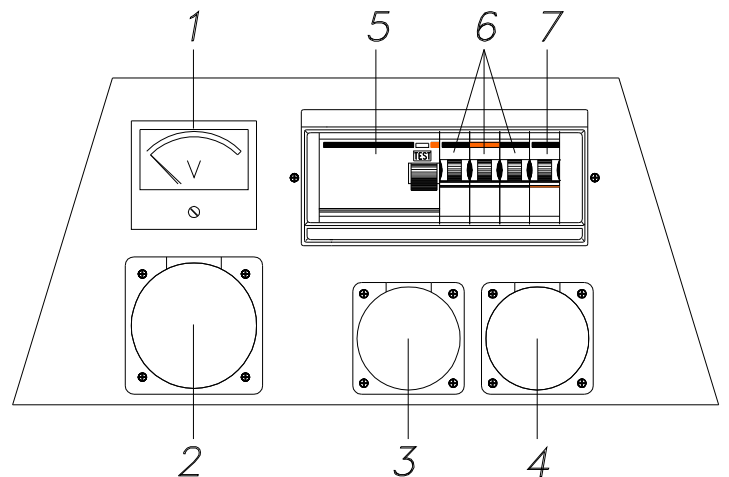
### FM 80 H

- 1 Voltmeter 300V
- 2 Thermal circuit breaker 15A
- 3 Battery charger terminals 12V 15A
- 4 Single-phase outlet EC 230V 32A 2P+T
- 5 Single-phase outlet EC 230V 16A 2P+T
- 6 Differential magnetothermal switch 1P+N 25A
- 7 Magnetothermal switch 1P 16A



### FM 7.5 H

- 1 Voltmeter 500V
- 2 Three-phase outlet EC 400V 16A
- 3 Single-phase outlet EC 230V 16A 2P+T
- 4 Single-phase outlet EC 230V 16A 2P+T
- 5 Differential switch 4P 25A
- 6 Magnetothermal switch 3P 10A
- 7 Magnetothermal switch 1P 16A



## OPTIONAL

- Undergear