

PD 70 Y



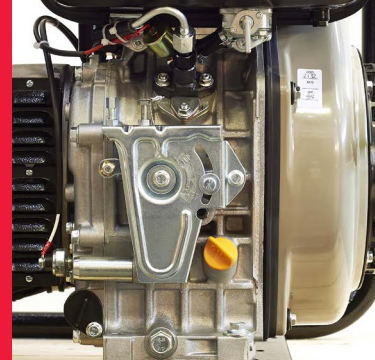
Control Panel



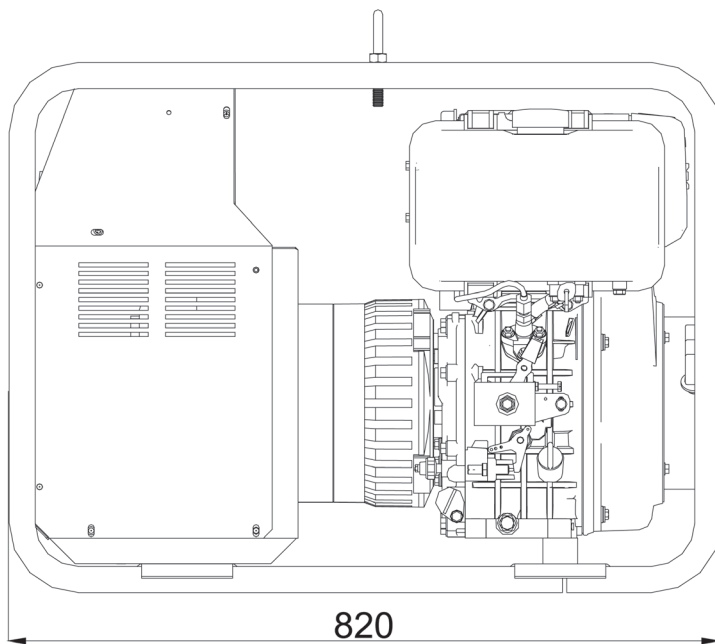
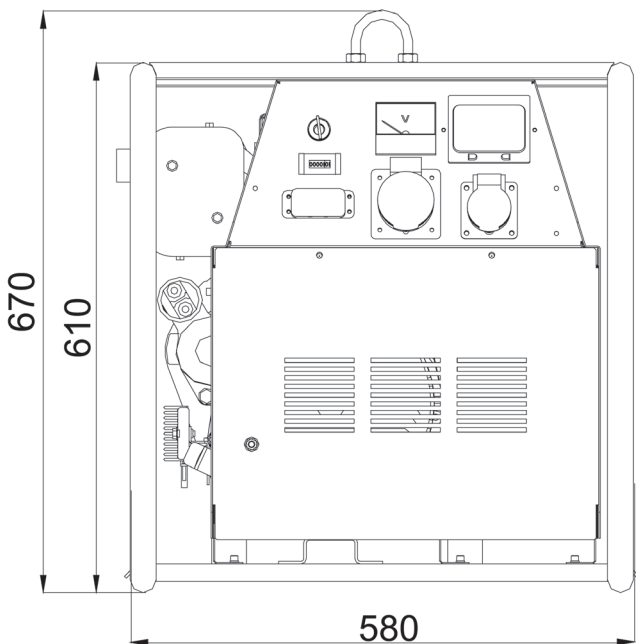
5,5 Lt Fuel Tank



3000 rpm Yanmar Engine



Unit of measure: mm



We reserve the right to change data, images and drawings without notice.
For more information, you may contact your local dealer or Mase Generators S.p.A.

Mase Generators spa

Via Tortona, 345 - 47522 - Cesena (FC) - Tel. +39 0547 354311
www.masegenerators.com - commercial@masegenerators.com

mase
GENERATORS
Believing in change.



Description

- Electric starter
- Diesel engine 3000 rpm
- 5,5 lt fuel tank

Standard Features

- 1 x 16 A - 230 V single-phase EEC socket
- 1 x 32 A - 230 V single-phase EEC socket
- Starting battery
- Hourmeter
- Voltmeter
- Low oil pressure and battery charger warning lights
- Power output protection
- Earth leakage circuit breaker
- Fitted for AMF-ATS or Remote control operation

Options

- Versions with different voltages
- 60 Hz version
- Automatic voltage regulator (AVR)

Accessories on request

- AMF / ATS panel for auto start operation
- Trolley: two wheels and handles
- Remote control

Noise level

- Lwa 99 (74 dB a 7 mt)

AC generator - 50Hz

- Type: synchronous
- Single-phase power (max.): 6,8 kVA - 230 V
- Power Factor: $\cos \phi$ 0,8

**Diesel Engine
3000 rpm**

- Type: Yanmar L100V - 1 cyl. - 8,8 HP (6,5 kWm) - 435 cm³
- Cooling system: air
- Starting system: electric
- Fuel tank capacity: 5,5 lt
- Fuel consumption @ 75%: 1,5 lt/h

Other features

- Insulation Class: H
- Ambient temperature: 40 °C (*)
- Altitude: 1000 mt (*)
- Mechanical Protection: IP 23
- Dimensions (L x W x H): 820 x 580 x 610 mm
- Dry weight: 110 kg

(*) - For altitude and temperature values other than those listed above, please consult the manufacturer to verify the available power.