



# MPV 22

Max Power 22 kVA



## Engine Yanmar 4TNV88

Type	Diesel, 4 Stroke
Cooling system	Water cooled
Cylinders	4
Displacement (c.c. - cu.in)	2190 - 133
Engine output (hp)	24,5
RPM	1500
Injection system	Direct
Governor	Centrifugal, mechanical
Lubrication system	Forced
Oil sump capacity (lt - gal)	7,4 - 2
Stop system	Solenoid
Fuel tank capacity (lt.)	50
Autonomy 3/4 load (h)	20
Starter battery (Ah-V)	80 - 12
Battery charger (Ah-V)	15 - 12
Starter motor (kW-V)	1,4 / 12

## Generator

Type	Synchronous, 4 poles, selfexcited
Regulation	Compound
Voltage (V)	400 / 230
Frequency (Hz)	50
<b>3-Phase Output</b>	400 V
Max. output	22 kVA
Cont.output	20 kVA
Power factor (cos $\phi$ )	0,8
<b>Single-Phase Output</b>	230 V
Max. output	13,5 kVA
Power factor (cos $\phi$ )	1
Insulation class	H
Voltage stability	$\pm 5\%$
Frequency stability	$\pm 5\%$

### Soundproof cabin

- With a frame and openable hoods made of steel panels.

### Engine

- Easy access in case of maintenance to the feeding system.
- Safety stop in case of low oil pressure.
- Safety stop in case of high water temperature.
- Oil and fuel filters are easily replaceable easy access.
- Water cooled engine with radiator.

### Control panel

The **mase** control panel has been designed and built to combine all the control instruments and warning lights both for the engine and the generator.

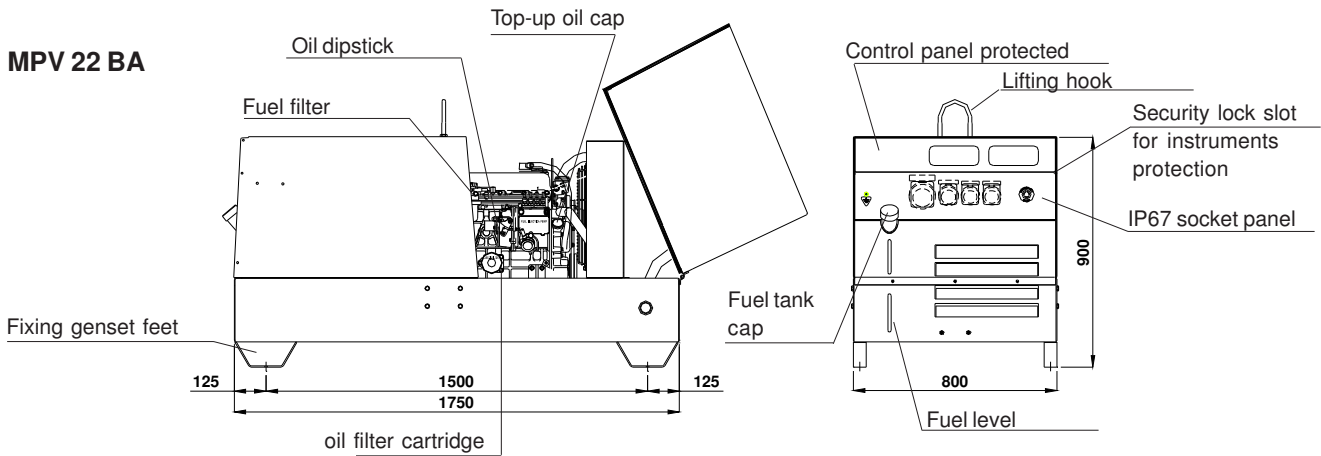
The sheet steel made panel is painted and proofed against the rain. The main equipments, included on the control panel, are the following:

- Ammeter; • Voltmeter ; • 4-pole circuit breaker and earth fault device; • 3-pole circuit breaker 16A; • 1-pole circuit breaker 16A; • Electronic device for automatic shutdown of the engine in case of HWT and LOP; • Emergency stop button; • Ignition key; • Warning light for: high cooling water temperature, low oil pressure; • Hour meter; • Socket 32A 400V 3P+N+T • Socket 16A 400V 3P+T; • N°2 Socket 2P+T 230V 16A • Remote automatic control panel connector

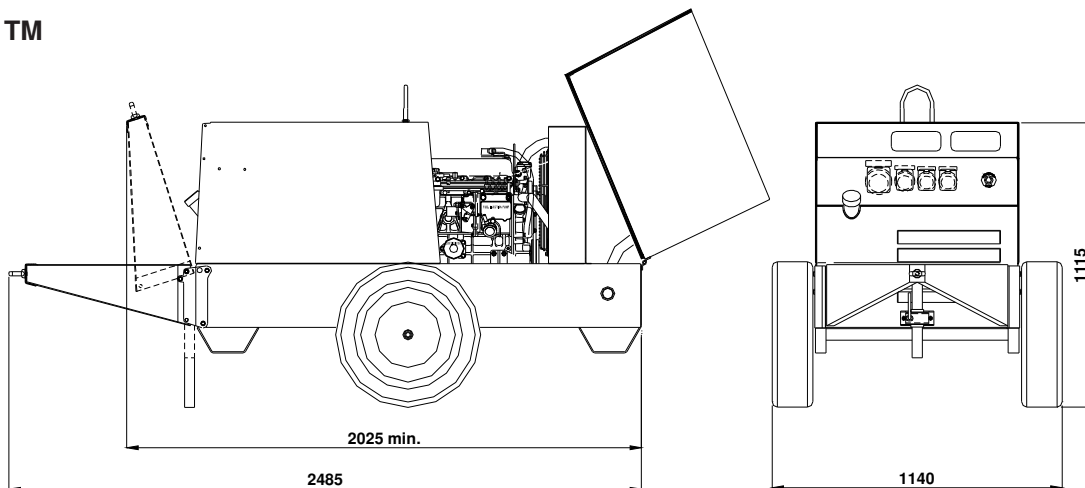
### Generator

- Synchronous, 4 poles, self-excited, with compound.
- Rotor and stator epoxy resin coated against environmental agents.
- Rotor dynamically balanced.
- Insulation class H.

## MPV 22 BA



## MPV 22 TM



	MPV 22 BA	MPV 22 TM
Lenght	1750 mm	2025 / 2485 mm
width	800 mm	1140 mm
Hight	900 mm	1115 mm
Weight	600 kg	630 kg
<b>Level noise 94 LwA</b>		

Dealer:

## OPTIONALS

SITE TOW VERSION WITH FOLDING DRAWBAR

*mase generators s.p.a. reserves the right to change the design or specifications without notice and without any obligation or liability whatsoever.*