

**MPL**  
series "S"

**MPL 15S**  
max. power 13,1 kVA

**MPL 22S**  
max. power 22 kVA



**Standard version**



**Version with 200 lt. Fuel tank with retention bund and fork lift channels**



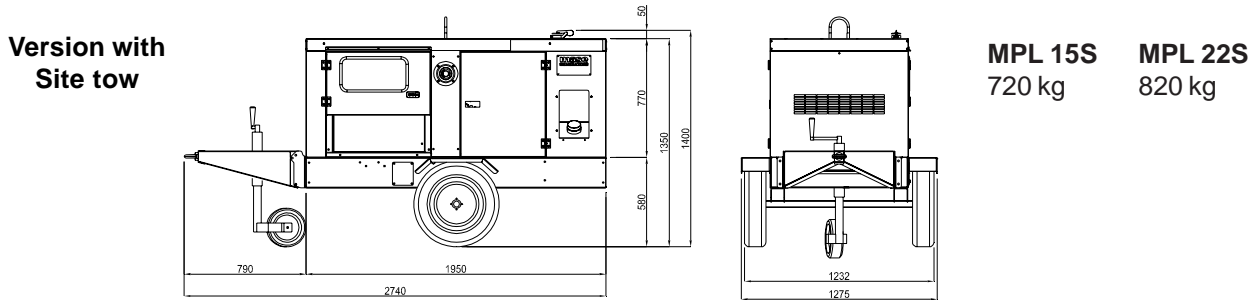
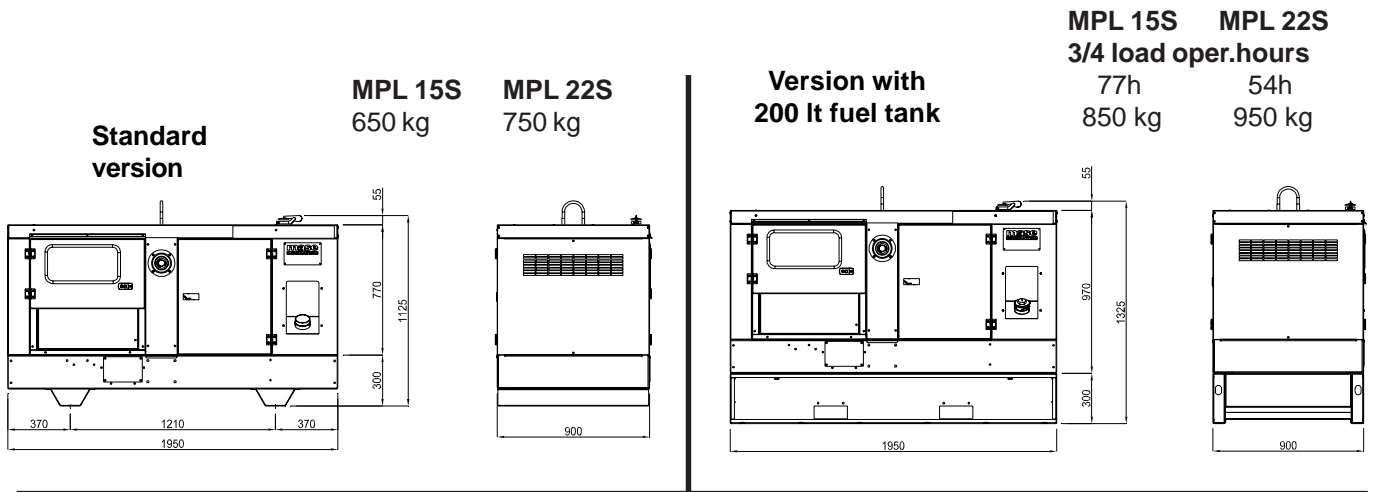
**Version with Site tow**

		MPL 15S	MPL 22S	
a.c. output	400 V	stand-by <sup>(1)</sup>	13,1 kVA	22 kVA
50 Hz. 3 ph		prime <sup>(2)</sup>	12,5 kVA	20,2 kVA
power factor			0,8	
fuel starting		Diesel Electric		
alternator		Synchronous		
engine type		Deutz F2M 2011   F3M 2011		
intake		natural		
cooling		Oil		
displacement	c.c.	1554	2331	
cylinders		2	3	
prime power	HP	17,1	28,1	
RPM		1500		
tank capacity	lt.	65		
3/4 load operating hours	h	25	17	
sound power level	LwA	92	92	
acoustic pressure at 7 mt.	dB(A)	67	67	

<sup>(1)</sup>(1) **Stand-by power:**  
power available for emergency

<sup>(2)</sup> **Prime power:** maximum power available at variable loads for an unlimited numbers of hours

# MPL 15S • MPL 22S



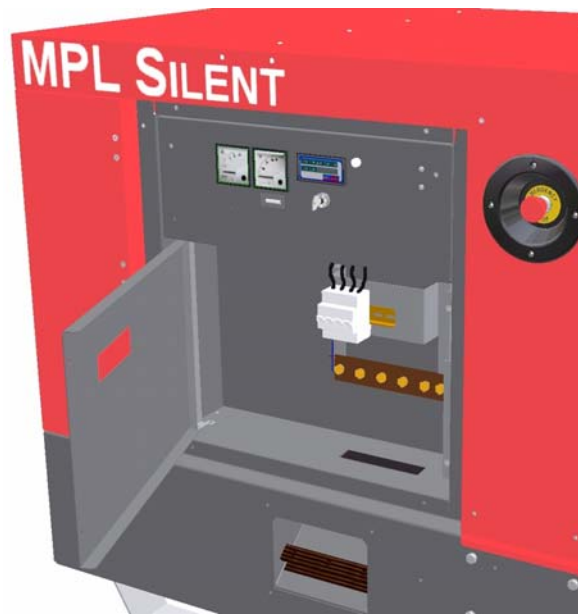
Dealer:



MASE GENERATORS S.p.A. Via Tortona, 345  
 47023 Cesena (FC) Italy  
 Tel. +39-0547-354311 Fax. +39-0547-317555  
 Email : mase@masegenerators.com  
 www.masegenerators.com

# CONTROL PANELS

## Standard manual control panel



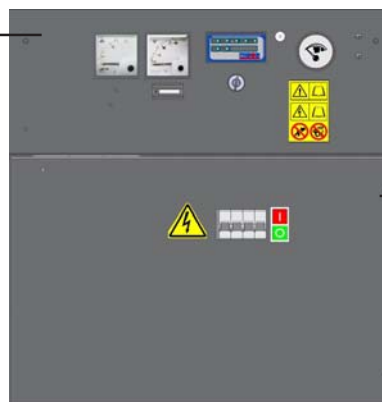
- Control panel
- Power cubicle with door

- Emergency stop button

- Power cables - terminal board
- Cover for power cables - terminal board

### CONTROL PANEL

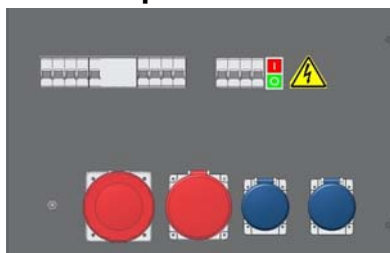
- Start/stop key
- Operation and Alarms
- Ammeter
- Voltmeter
- Hourmeter
- Fuel level gauge



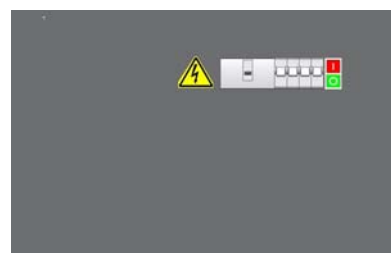
### POWER CUBICLE

- Circuit breaker
- Power cables - terminal board
- Connection for remote starting panel

### OPTIONAL: Sockets panel



### OPTIONAL : Earth fault device



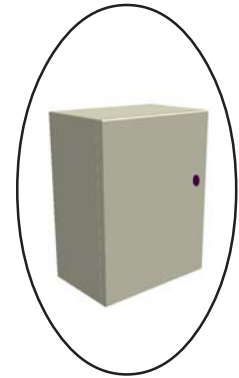
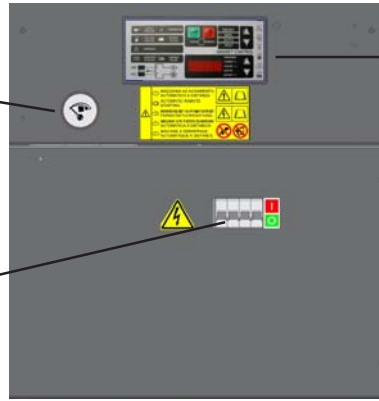
- Circuit breaker / differential protection for sockets
- No. 2 EEC socket 32 Amps. 400 V
- No. 2 EEC socket 16 Amps. 230 V

**OPTIONAL: Automatic starting**

Automatic Transfer Switch in a separate box

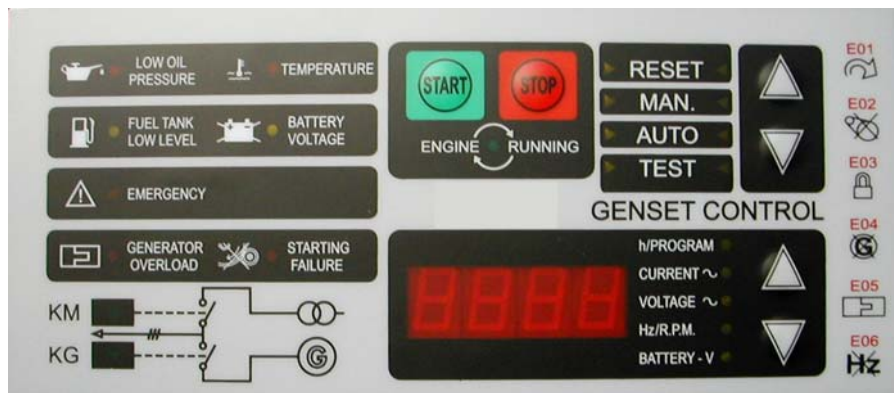
- Fuel level gauge

- Circuit breaker



**Digital Genset Control**

- Automatic test
- n° 20 alarms
- n° 9 genset parameters
- n° 30 programming keys
- n° 4 operating mode



**OPTIONAL :**

Remote control panel with 50 mt. cable

Water heater

Automatic top-up device for on-board tank with retention bund

Dealer:



MASE GENERATORS S.p.A. Via Tortona, 345  
 47023 Cesena (FC) Italy  
 Tel.+39-0547-354311 Fax.+39-0547-317555  
 Email : mase@masegenerators.com  
 www.masegenerators.com