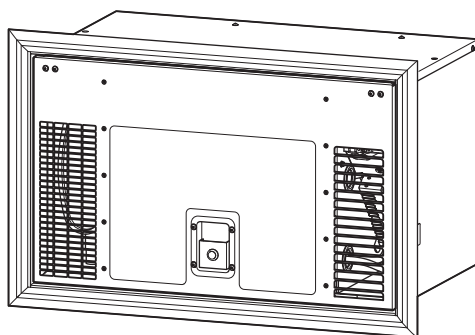


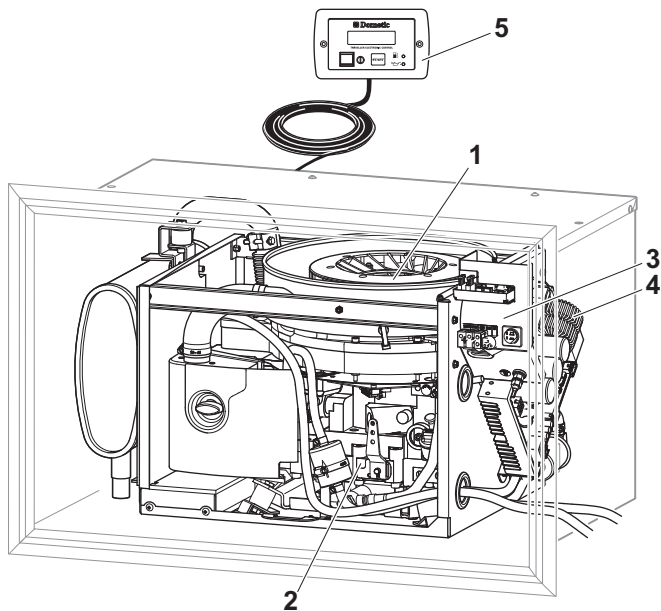
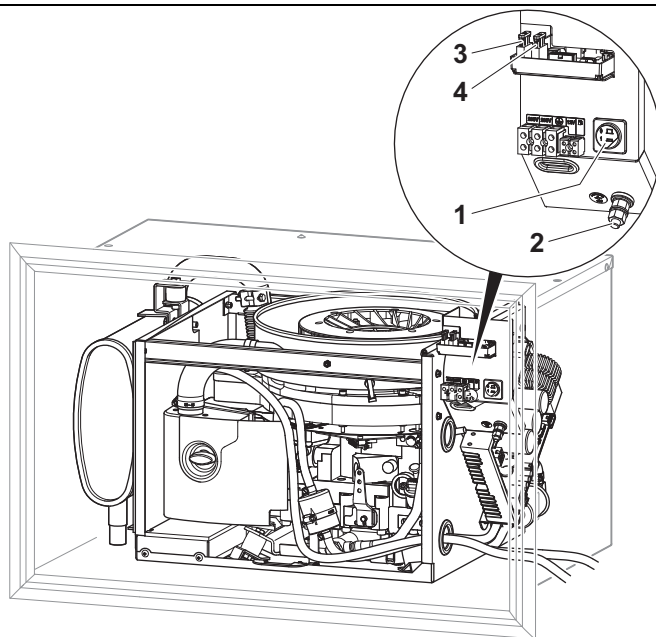
<b>EN</b>	<b>Generator</b> Operating manual . . . . .	8
<b>DE</b>	<b>Generator</b> Bedienungsanleitung . . . . .	29
<b>FR</b>	<b>Générateur</b> Notice d'utilisation . . . . .	51
<b>ES</b>	<b>Generador</b> Instrucciones de uso . . . . .	73
<b>IT</b>	<b>Generatore</b> Istruzioni per l'uso . . . . .	95
<b>NL</b>	<b>Generator</b> Gebruiksaanwijzing . . . . .	117
<b>DA</b>	<b>Generator</b> Betjeningsvejledning . . . . .	139
<b>SV</b>	<b>Generator</b> Bruksanvisning . . . . .	160
<b>NO</b>	<b>Generator</b> Bruksanvisning . . . . .	181
<b>FI</b>	<b>Generaattori</b> Käyttöohje . . . . .	202
<b>PT</b>	<b>Gerador</b> Manual de instruções . . . . .	224
<b>RU</b>	<b>Генератор</b> Инструкция по эксплуатации . . . . .	246
<b>PL</b>	<b>Generator</b> Instrukcja obsługi . . . . .	269

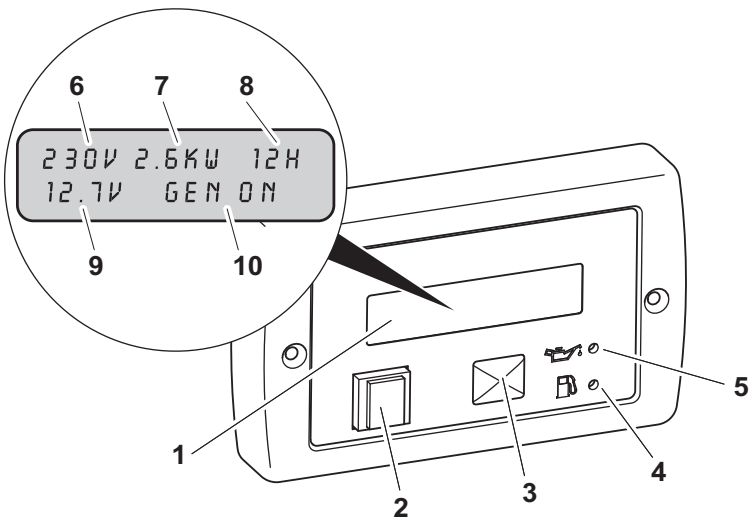
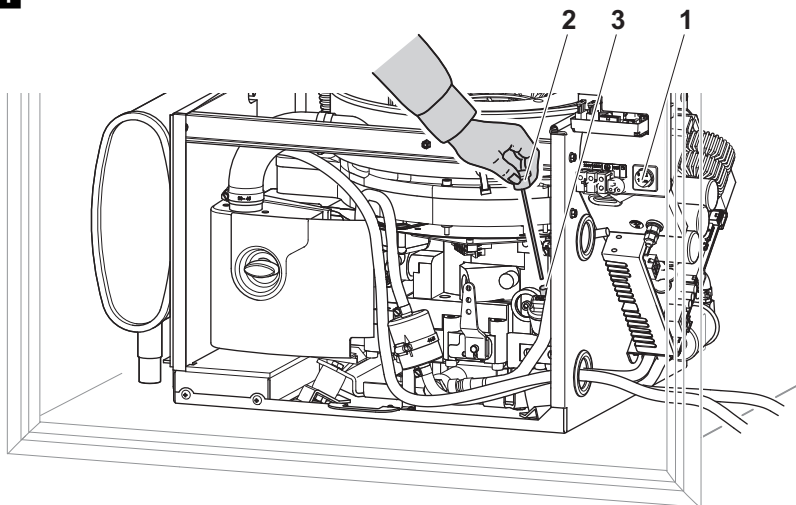


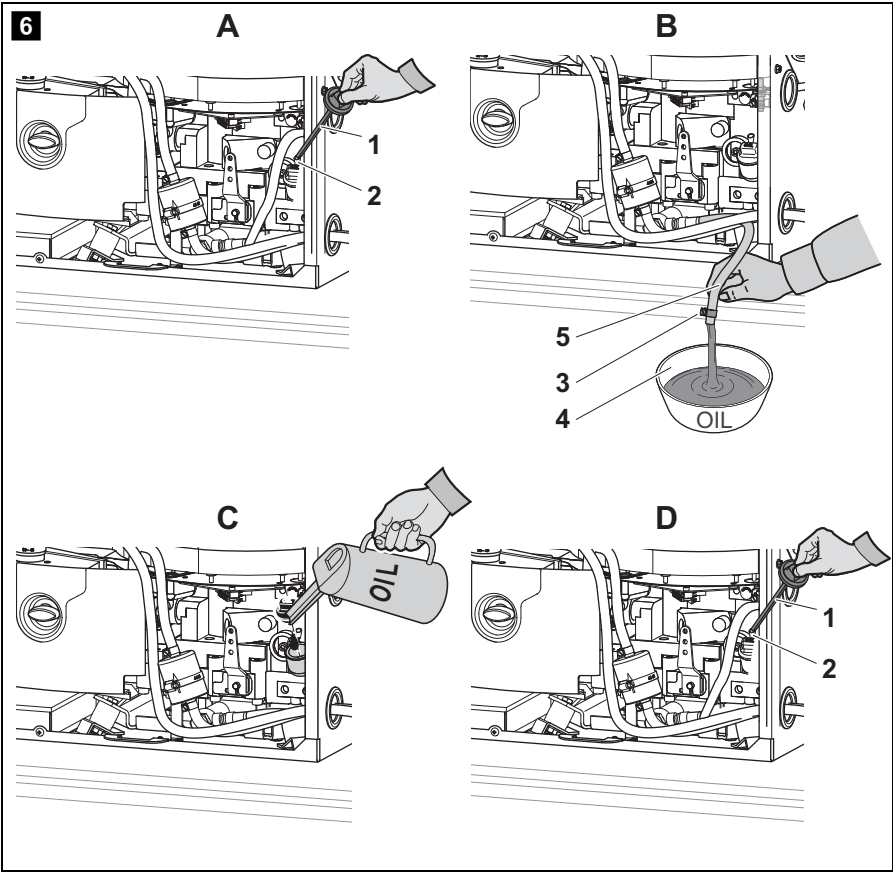
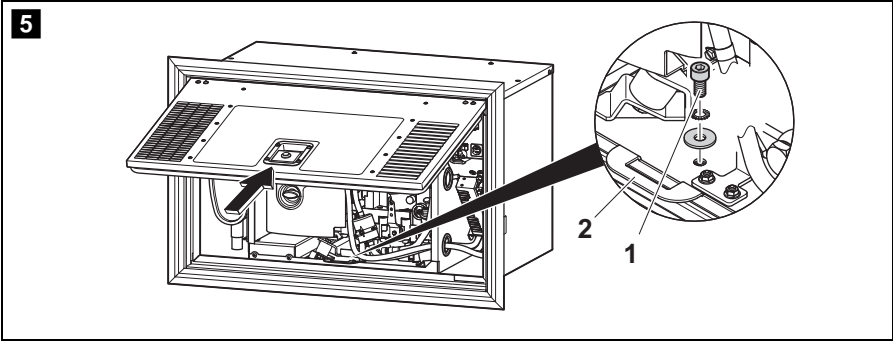
## Dometic TEC 40D

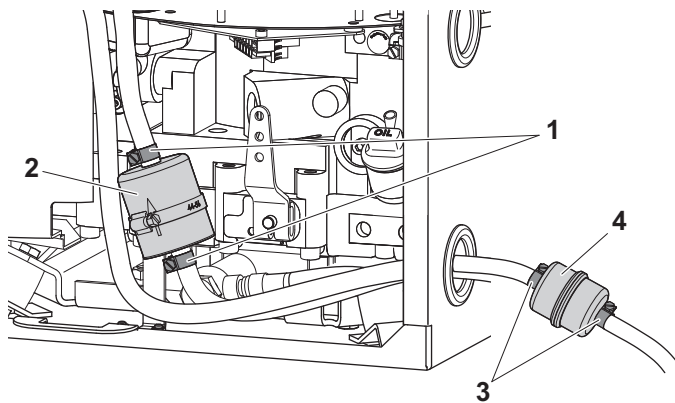
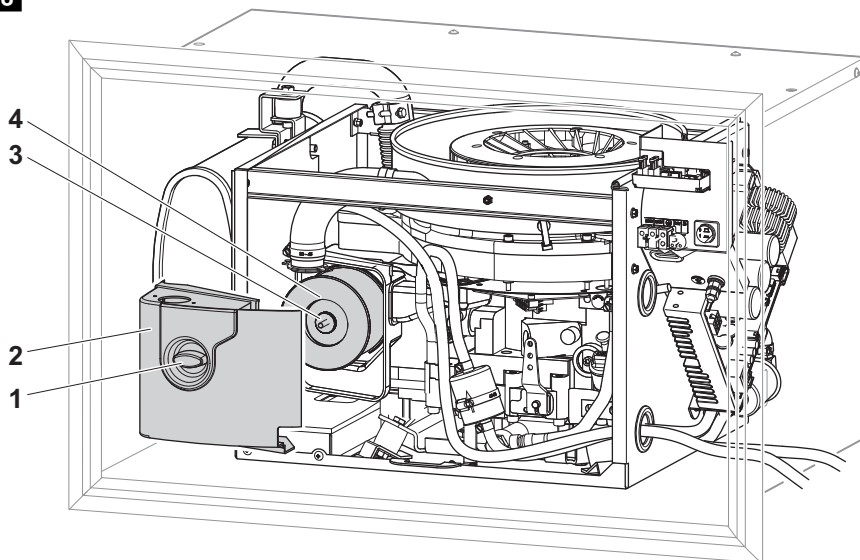
<b>CS</b>	<b>Generátor</b> Návod k obsluze . . . . .	291
<b>SK</b>	<b>Generátor</b> Návod na obsluhu . . . . .	312
<b>HU</b>	<b>Generátor</b> Használati utasítás . . . . .	334

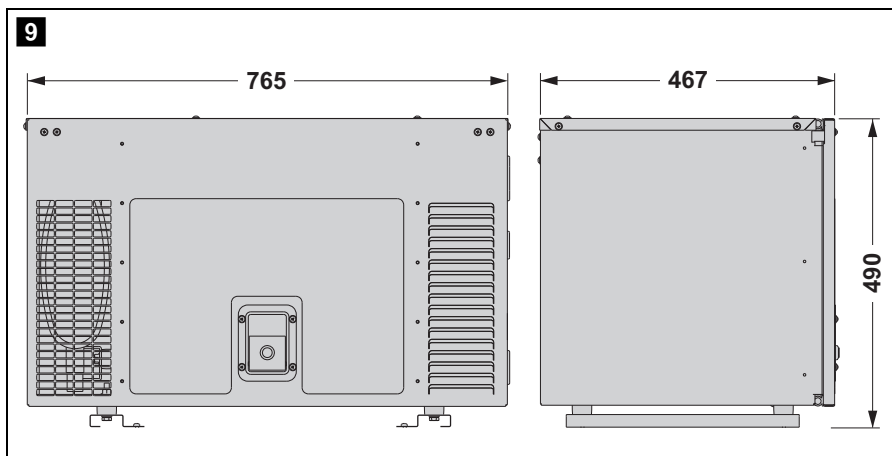


**1****2**

**3****4**



**7****8**



---

**Please read this instruction manual carefully before first use, and store it in a safe place. If you pass on the product to another person, hand over this instruction manual along with it.**

## **Table of contents**

1	Explanation of symbols . . . . .	9
2	Safety instructions . . . . .	9
3	Target group for this manual . . . . .	11
4	Scope of delivery . . . . .	12
5	Accessories . . . . .	12
6	Intended use . . . . .	12
7	Technical description . . . . .	13
8	Operating the generator . . . . .	15
9	Cleaning the generator . . . . .	20
10	Servicing the generator . . . . .	21
11	Troubleshooting . . . . .	26
12	Warranty . . . . .	27
13	Disposal . . . . .	27
14	Technical data . . . . .	28



# 1 Explanation of symbols

**WARNING!**

**Safety instruction:** Failure to observe this instruction can cause fatal or serious injury.

**CAUTION!**

**Safety instruction:** Failure to observe this instruction can lead to injury.

**NOTICE!**

Failure to observe this instruction can cause material damage and impair the function of the product.

**NOTE**

Supplementary information for operating the product.

- **Action:** This symbol indicates that action is required on your part. The required action is described step-by-step.
- ✓ This symbol describes the result of an action.

**Fig. 1 5, page 3:** This refers to an element in an illustration. In this case, item 5 in figure 1 on page 3.

## 2 Safety instructions

The manufacturer accepts no liability for damage in the following cases:

- Damage to the product resulting from mechanical influences and excess voltage
- Alterations to the product without express permission from the manufacturer
- Use for purposes other than those described in the operating manual

In particular, the manufacturer will not be liable for any consequential damage, especially consequential damage caused by failure of the generator.

Note the following basic safety information when using electrical devices to protect against:

- Electric shock
- Fire hazards
- Injury

## 2.1 General safety



### **DANGER!**

- Do **not** operate the device in spaces where danger of explosion is present.



### **WARNING!**

- **Electrical devices are not toys**

Keep electrical devices out of reach of children or infirm persons. Do not allow them to use electrical devices without supervision.

- This device can be used by children aged 8 years or over, as well as by persons with diminished physical, sensory or mental capacities or a lack of experience and/or knowledge, providing they are supervised or have been taught how to use the device safely and are aware of the resulting risks.
- Only use the device as intended.
- Do not make any alterations or conversions to the device.
- Installation, maintenance and repairs of the generator may only be carried out by qualified personnel who are familiar with the risks involved when handling generators as well as the relevant regulations. Inadequate repairs may cause serious hazards. For repair service, please contact the manufacturer's branch office in your country (addresses on the back page).
- Mark the area surrounding the device during maintenance work and prevent access to areas where activation can cause perils.
- Exhaust fumes contain carbon monoxide which is a highly toxic, odourless and colourless gas. Do not inhale any exhaust fumes. Do not leave the generator motor running in a closed garage or in a room without windows.

**CAUTION!**

- The generator may only be used with the inspection cover closed.
- Remove all flammable materials such as petrol, paints, solvents, etc., from the vicinity of the generator.
- Ensure that hot parts of the generator do not come in contact with any flammable materials.
- Only refuel the generator when it is switched off and in a well-ventilated area. Diesel oil is highly flammable and can explode.
- Do not refuel the generator when the vehicle engine is running if the tank is in the vicinity of the vehicle engine.
- Wipe up spilled diesel oil properly and wait until the fumes have cleared before turning on the engine.
- Do not touch the generator and the cables with wet hands.
- Replace the fuses using only those with the same technical data.

**NOTICE!**

- Do not fill up the tank too full. Fuel must not be allowed to fill up to the neck of the tank. Check the lid is on properly.

## 2.2 Operating the device safely

**WARNING!**

- Always disconnect the power supply when working on the device.

**NOTICE!**

- Only operate the device if you are certain that the housing and the cables are undamaged.

## 3 Target group for this manual

This operating manual is for the user of the generator.

## 4 Scope of delivery

Description	Item number
TEC40D generator	9102900201
Remote control	
Exhaust pipe, 2 m	
Fastening material for silencer	
Connection cable	
AG 102, changeover relay for making priority circuits	
Fastening material	
Installation manual	
Operating manual	

## 5 Accessories

Available as accessories (not included in the scope of delivery):

Part designation	Item number
PR 25044, external sealing kit	9102900174

## 6 Intended use

The TEC40D generator (item no. 9102900201) is designed for use in motor homes, camper vans and vehicles for commercial use.

The generator is **not** suitable for installation in water vessels.

The generator produces a pure sine wave voltage of 230 V/50 Hz which can be connected to the consumer with a total continuous load of 3500 W. The power quality is also suitable for sensitive consumers (such as PCs).

The generator can charge a 12 V battery.

## 7 Technical description

The generator consists of the following main parts (fig. **1**, page 3):

- Alternating current generator (**1**)
- Endothermic engine (**2**)
- Internal control panel (**3**)
- Inverter (**4**)
- Remote control (**5**)

The endothermic engine (**2**) drives the alternating current generator (**1**) connected to it, which in turn generates AC voltage.

The integrated inverter (**4**) transforms this AC voltage into a stable voltage of 230 V and 50 Hz, which is available at the inverter terminal. The socket for the connection cable to the control panel (**5**) is installed in the inverter.

The terminals and the main switch are installed in the internal control panel (**3**) located behind the door.

The generator has an integrated battery charger for charging the connected battery.


### Control elements in the control panel

The control panel is located on the generator behind the cover.

No. in fig. <b>2</b> , page 3	Description	
1	Main switch	Switches the generator to standby or no function.
2	Battery positive terminal	Connection to the positive battery terminal.
3	Main fuse	Triggers if overvoltage occurs in the inverter
4	Battery charger fuse	Triggers if overvoltage occurs in the battery charger

### Control elements in the remote control

The remote control is installed in the vehicle interior.

No. in fig. <b>3</b> , page 4	Description	
1	Display	Shows the status reports.
2	On/Off switch 	Switches the control panel on and off if the main switch is at "I" or "1". Stops the generator in emergency.
3	Green button START/STOP	Starts/stops the generator if the control panel is switched on and the main switch is at "I" or "1".
4	Fuel gauge	Lights up if the diesel fuel goes into reserve.
5	Oil gauge	Lights up if the oil level is too low in the engine.

### Displays

No. in fig. <b>3</b> , page 4	Description	
6	AC supply	Actual voltage output
7	Constant output	Current capacity of connected consumer
8	Operating hours	Time the generator is in operation
9	DC voltage	Battery voltage
10	Messages	Status reports of the generator (see chapter "Display messages" on page 17)

## 8 Operating the generator



### **NOTICE!**

Do not run the generator over 70 % of the maximum constant output for the first 50 operating hours (run-in phase).



### **NOTE**

Run the generator at a maximum of approx. 75 % of the maximum continuous load after the run-in phase.

By doing this you can prolong the service life of the generator and maximise its efficiency.

### 8.1 Basic notes on operation



### **CAUTION! Beware of injury**

Do not insert your fingers or objects into the air nozzles or the intake grille.

Please note the following basic information:

- When operating the generator at low temperatures ( $< 0\text{ }^{\circ}\text{C}$ ) you have to use winter diesel fuel or you have to add a percentage of petrol to the diesel oil according to the following table:

Ambient Temperature	Summer diesel	Winter diesel
-10 to 0 °C	20 %	–
-15 to -10 °C	30 %	–
-20 to -15 °C	30 %	20 %

- Always check the oil level before use (chapter “Checking the oil level” on page 19).
- Even small overloads in the long-run will cause the generator to stop.
- Leave the generator running for a few minutes after use without any consumers before stopping it.
- Abrupt braking, accelerating and driving round bends in the vehicle can cause problems in the generator’s pump system and lead to unwanted shutdown.
- If you are not using your generator for a longer period of time, start it up at least every 10 days and leave it running for 15 minutes or more.

## 8.2 Switching the generator to standby or no function

The generator can be switched to standby or no function with the main switch (fig. **2** 1, page 3) in the connection box.

## 8.3 Switching the control panel on and off

This switch on the control panel (fig. **3** 2, page 4) is for switching the control panel on and off.

➤ Switch the control panel on with the on/off switch.

✓ The display shows: *GEN OFF*.

The display switches off automatically after 5 minutes if the start button is not touched within this time.

Press the start button to switch on the display again.

✓ The generator can now be started.

## 8.4 Starting the generator

The generator can only be started if it is in standby and the control panel is switched on.



### **NOTE**

If the generator is still warm, press the start button briefly to start it; press longer for a cold generator.

➤ Start up the generator with the green button "START/STOP (fig. **3** 3, page 4).

## 8.5 Stopping the generator

➤ Stop the generator with the on/off switch (fig. **3** 2, page 3).

If the generator does not stop: switch it off with the main switch (fig. **2** 1, page 3).



## 8.6 Display messages

Display message Description	Generator behaviour	Measures
<p><i>LOW BATTERY</i></p> <p>The battery voltage has fallen below the minimum value for starting up (9V).</p>	The generator does not start.	Charge the battery.
<p><i>CHECK OIL LEVEL</i></p>	The generator continues to run.	Fill up with oil (see chapter "Checking the oil level" on page 19).
<p><i>OIL CHANGE</i></p> <p>The number of prescribed operating hours has been reached for changing the engine oil.</p>	The generator continues to run.	<p>Change the oil (see chapter "Changing the oil" on page 23).</p> <p>In order to reset the alarm start up the generator by pressing and holding down the START/STOP button.</p>
<p><i>NO FUEL</i></p> <p>The diesel fuel in the tank is in reserve.</p>	The generator continues to run.	Refuel.
<p><i>PRESS OIL TEMP</i></p> <p>Insufficient engine oil. Engine temperature too high.</p>	The generator stops.	<p>Fill up with oil (see chapter "Checking the oil level" on page 19).</p> <p>Leave the generator to cool down for a few minutes then start up the generator again.</p>
<p><i>GENERATOR ALERT!</i></p> <p>General alarm message</p>	The generator stops.	<p>Check the system by referring to the troubleshooting table.</p> <p>If the problem persists, contact the manufacturer's branch office in your country (addresses on the back page).</p>
<p><i>OVERLOAD!</i></p> <p>The consumers generate an overload at the output.</p>	The inverter switches off, therefore no voltage is supplied but the engine carries on running until it goes off.	Reduce the connected load and start the generator again.
<p><i>SHORT CIRCUIT</i></p> <p>The consumers cause a short circuit at the output.</p>	The inverter switches off, therefore no voltage is supplied but the engine carries on running until it goes off.	Check the connected consumers then start the generator again.

Display message Description	Generator behaviour	Measures
<i>OVER TEMPERATURE</i> The inverter temperature is too high.	The inverter switches off, therefore no voltage is supplied to cool the generator, but the engine carries on running.	Leave the generator to cool down for a few minutes then start up the generator again.
<i>LOW POWER ENGINE</i> The inverter supply voltage has dropped.	The generator stops.	Reduce the connected load and start the generator again.
<i>GEN CAL</i> A message appears when the generator is started up; it shows the calibration phase which takes place before each start-up. The generator does not supply any voltage.	The generator is running but does not supply any voltage.	Wait a moment.
<i>GEN WAIT</i> A message appears while you are waiting for the generator to start again.	The generator is switched off.	Wait until the message has disappeared then attempt ignition again.
<i>GEN ON</i> The generator is operating normally.	Normal mode	–
<i>GEN OFF</i>	The generator is in stand-by and can be started.	–

## 8.7 Checking the oil level



### CAUTION!

Hot oil can cause burns.  
Only check the oil level when the generator is switched off.



### NOTE

The generator must be level.

Always check the oil level before use. To do this, proceed as follows:

- Open the generator cover.
- Switch the generator to no function with the main switch (fig. **4** 1, page 4).
- Disconnect the positive terminal of the supply battery.
- Take the dipstick (fig. **4** 2, page 4) out of the filler neck (fig. **4** 3, page 4).
- Clean the dipstick (fig. **4** 2, page 4) with a cloth.
- Put the dipstick (fig. **4** 2, page 4) back into the filler neck (fig. **4** 3, page 4).
- Take the dipstick (fig. **4** 2, page 4) out of the filler neck.
- Check that the oil level is between the notch (maximum filling level) and the tip of the dipstick.  
If not, top up with more oil.
- Put the dipstick (fig. **4** 2, page 4) back into the filler neck (fig. **4** 3, page 4).
- Connect the generator to the positive terminal of the supply battery.
- Switch the generator to standby with the main switch (fig. **4** 1, page 4).
- Close the generator cover.

## 9 Cleaning the generator



### ***NOTICE! Beware of damage***

- Do not clean the generator with a high-pressure cleaner. Exposure to water can damage the generator.
- Do not use sharp or hard objects or cleaning agents for cleaning as these may damage the generator.
- To clean the generator, use water with a gentle cleaning agent. Never use petrol, diesel or solvents.

- Clean the generator with a damp cloth from time to time.
- Remove any dirt from the air vents in the generator at regular intervals. Make sure you do not damage the grilles of the generator in the process.

# 10 Servicing the generator

## 10.1 Maintenance table



### WARNING!

Only have maintenance work carried out by specialist personnel who are familiar with the relevant regulations. Inadequate maintenance may cause serious hazards.



### NOTE

Have the following maintenance work performed at regular intervals or after the specified number of operating hours, whichever is sooner.

Interval	Inspection/maintenance
In the first month or after 50 hours.	<ul style="list-style-type: none"> <li>➤ Change the oil.</li> </ul>
Every 250 hours	<ul style="list-style-type: none"> <li>➤ Change the oil.</li> <li>➤ Clean the engine's cooling system.</li> <li>➤ Check the valve play and screws. Adjust the valve play and tighten the screws, if necessary.</li> <li>➤ Check the air filter (chapter "Servicing the air filter" on page 24).</li> </ul>
Every 500 hours	<ul style="list-style-type: none"> <li>➤ Replace the air filter and fuel filter.</li> </ul>
Once a year or every 1000 hours	<ul style="list-style-type: none"> <li>➤ Clean the oil filter.</li> </ul> <p>The following must be carried out by a HATZ authorised retailer or Dometic skilled personnel:</p> <ul style="list-style-type: none"> <li>➤ Check the fuel injection pump.</li> <li>➤ Check the vibration damper.</li> </ul>

## 10.2 Preparing maintenance work



### CAUTION!

Note the following for all maintenance work:

- The generator must not be running.
- All the parts must be cooled down.

- Open the generator cover.
- Switch the generator to no function with the main switch (fig. **2** 1, page 3).
- Disconnect the positive terminal of the supply battery.

For maintenance work, you can take the generator out:



### WARNING!

The mounting plate with generator is very heavy (> 90 kg) and could fall out the housing if you take it out too far.

- Undo the fastening screw (fig. **5** 1, page 5).
- Remove the mounting plate (fig. **5** 2, page 5) with the generator from the housing.

## 10.3 Finishing maintenance work

- Connect the generator to the positive terminal of the supply battery.
- Switch the generator to standby with the main switch (fig. **2** 1, page 3).
- Close the generator flap.

## 10.4 Changing the oil

**CAUTION!**

Hot oil can cause burns.

**NOTICE!**

Only dispose of used oil at a specialist recycling station and observe the local laws for environmental protection.

You may use the following oil:

- Oil with the specifications:
  - CCMC D4, D5, PD
  - API CD, CE, CF, CG
  - SHPD
- SAE grade oils:
  - 5W-30
  - 5W-40
  - 100W
  - 100W-30 (recommended)
  - 10W-30
  - 15W-30
  - 30
  - 40
- Oil with single grade oil viscosity:  
Select the appropriate viscosity according to the average temperature on-site.

Change the oil as follows (fig. **6**, page 5):

- Allow the generator to run warm for three to five minutes so that the oil can drain off faster and completely.
- Take the dipstick (1) out of the filler neck (2).
- Place a suitable receptacle (4) near the oil hose (5).
- Loosen the clamp (3).
- Take off the oil hose (5) and let the oil drain off into the receptacle (4).
- Put the oil hose (5) onto the hose-end fitting.
- Fasten the oil hose (5) with the clamp (3).

- Pour fresh oil into the filler neck (2).  
The maximum amount of oil is 1.1 l.  
The oil level must be between the maximum and the minimum notches of the dipstick (1).
- Put the dipstick (1) back into the filler neck (2).

## 10.5 Replacing the fuel filter



### **NOTICE!**

Dispose of the drained off fuel in accordance with the local laws for environmental protection.

There are two fuel filters (fig. 7 2 and 4, page 6) in the generator.

- Place a suitable receptacle under the fuel filter (fig. 7 2 and 4, page 6).
- Loosen the fastening clips (fig. 7 1 and 3, page 6).
- Remove the fuel filter and insert a new one.
- Tighten the fastening clips again.

## 10.6 Servicing the air filter



### **WARNING! Danger of explosions**

Do not use diesel oil or solvents with low boiling points for cleaning the air filter. They could ignite or explode.



### **CAUTION!**

Wear an respirator mask and protection glasses.



### **NOTICE!**

Never leave the engine running without an air filter. Otherwise this quickly wears out the engine.



### **NOTE**

If the air filter is dirty, the air flow to the motor is reduced. Check the filter regularly so that the motor can function properly. Check this more frequently if the generator is being used in particularly dusty environments.



Check and change the fuel filter as follows (fig. **8**, page 6):

- Remove the fixing cap **(1)** and the filter cover **(2)**.
- Remove the knurled nut **(3)**.
- Take out the air filter **(4)**.
- Check the condition of the air filter **(4)** carefully:  
Shine light into the air filter with a lamp and verify if the paper membrane is damaged.  
Replace the air filter:
  - if damaged
  - if soiled by humid or oily obstruction
- Clean the undamaged air filter of dry obstruction.  
Clean the filter cartridge with dry compressed air (do not use jets of compressed air with a pressure of more than 2 – 2.5 bar): Blow the air from the inside towards the outside, until all the dust has been completely expelled.
- Clean the filter cover **(2)**.
- Insert the air filter **(4)**.
- Fasten the knurled nut **(3)**.
- Mount the filter cover **(2)**.
- Fasten the filter cover **(2)** with the fixing cap **(1)**.

# 11 Troubleshooting

Fault	Cause	Remedy
The control panel does not come on when the on/off switch is pressed.	Starter battery is flat.	➤ Charge the starter battery.
	Power cable is disconnected or the plug is removed.	➤ Contact an authorised workshop.
	Fuse (if present) is triggered.	
The starter does not work when the start button is pressed.	Starter battery is flat.	➤ Charge the starter battery.
	The main switch is at "0".	➤ Set the main switch to "I" or "1".
	Circuit board is damaged.	➤ Contact an authorised workshop.
	Starter is not receiving any power.	
The starter turns but the generator does not start.	Fuel injector is dirty.	➤ Contact an authorised workshop.
	Engine is defective.	
The generator tends to go off.	Too much oil in the engine.	➤ Drain the oil (see chapter "Changing the oil" on page 23).
	Load is too high.	➤ Reduce the consumers.
	Air intake is blocked.	➤ Check the air filter (see chapter "Servicing the air filter" on page 24).
	Inverter is damaged.	➤ Contact an authorised workshop.
	Fault in the injection pump power supply.	
	Fuel injector is dirty.	
The generator is running but does not supply any voltage.	Inverter is damaged.	➤ Contact an authorised workshop.
	The electrical connections are not connected properly.	➤ Check the electric connections.

Fault	Cause	Remedy
The generated voltage is unstable.	Load is too high.	➤ Reduce the consumers.
	Air intake is blocked.	➤ Check the air filter (see chapter "Servicing the air filter" on page 24).
	Inverter is damaged.	➤ Contact an authorised workshop.
	Fault in the injection pump power supply.	
	Fuel injector is dirty.	
The battery charger is not supplying any voltage.	Battery charger fuse is damaged.	➤ Replace fuse.

## 12 Warranty

The statutory warranty period applies. If the product is defective, please contact the service partner in your country (addresses on the back on the instruction manual).

Our experts will be happy to help you and will discuss the warranty process with you in more detail.

## 13 Disposal

- Place the packaging material in the appropriate recycling waste bins wherever possible.




If you wish to finally dispose of the product, ask your local recycling centre or specialist dealer for details about how to do this in accordance with the applicable disposal regulations.



### Protect the environment!

Do not dispose of any batteries with general household waste. Return defective or used batteries to your retailer or dispose of them at collection points.

# 14 Technical data

	<b>Dometic TEC40D</b>
Item no.:	9102900201
Rated output voltage:	230 V~ / 50 Hz
Max. constant output (at 25 °C at sea level):	3500 W
Battery charger output voltage:	12 V===
Battery charger max. output current:	60 A
Operating temperature range:	-15 °C to +50 °C
Fuel:	Diesel fuel according to EN 590
Engine:	Hatz (1 B 30V)
Consumption:	max. 1.4 l/h
Motor output:	4.7 kW (6.4 PS)
Max. speed:	3300 min <sup>-1</sup>
Motor oil:	1.1 l
Sound level:	89 dB(A)
Sound level at distance of 7 m:	64 dB(A)
Dimensions:	see fig. <b>9</b> , page 7
Weight:	96.5 kg
Inspection/certification:	

**Bitte lesen Sie diese Anleitung vor der Inbetriebnahme sorgfältig durch und bewahren Sie sie auf. Geben Sie sie im Falle einer Weitergabe des Produktes an den Nutzer weiter.**

## **Inhaltsverzeichnis**

1	Erklärung der Symbole . . . . .	30
2	Sicherheitshinweise . . . . .	30
3	Zielgruppe dieser Anleitung . . . . .	33
4	Lieferumfang . . . . .	33
5	Zubehör . . . . .	33
6	Bestimmungsgemäßer Gebrauch . . . . .	34
7	Technische Beschreibung . . . . .	34
8	Generator bedienen . . . . .	36
9	Generator reinigen . . . . .	42
10	Generator warten . . . . .	43
11	Störungen beseitigen . . . . .	48
12	Gewährleistung . . . . .	49
13	Entsorgung . . . . .	49
14	Technische Daten . . . . .	50

# 1 Erklärung der Symbole



## **WARNUNG!**

**Sicherheitshinweis:** Nichtbeachtung kann zu Tod oder schwerer Verletzung führen.



## **VORSICHT!**

**Sicherheitshinweis:** Nichtbeachtung kann zu Verletzungen führen.



## **ACHTUNG!**

Nichtbeachtung kann zu Materialschäden führen und die Funktion des Produktes beeinträchtigen.



## **HINWEIS**

Ergänzende Informationen zur Bedienung des Produktes.

- **Handlung:** Dieses Symbol zeigt Ihnen, dass Sie etwas tun müssen. Die erforderlichen Handlungen werden Schritt für Schritt beschrieben.
- ✓ Dieses Symbol beschreibt das Ergebnis einer Handlung.

**Abb. 1 5, Seite 3:** Diese Angabe weist Sie auf ein Element in einer Abbildung hin, in diesem Beispiel auf „Position 5 in Abbildung 1 auf Seite 3“.

# 2 Sicherheitshinweise

Der Hersteller übernimmt in folgenden Fällen keine Haftung für Schäden:

- Beschädigungen am Produkt durch mechanische Einflüsse und Überspannungen
- Veränderungen am Produkt ohne ausdrückliche Genehmigung vom Hersteller
- Verwendung für andere als die in der Anleitung beschriebenen Zwecke

Er haftet insbesondere nicht für jegliche Folgeschäden, insbesondere auch nicht für Folgeschäden, die durch den Ausfall des Generators entstehen können.

Beachten Sie folgende grundsätzliche Sicherheitsmaßnahmen beim Gebrauch von elektrischen Geräten zum Schutz vor:

- elektrischem Schlag
- Brandgefahr
- Verletzungen

## 2.1 Grundlegende Sicherheit



### GEFAHR!

- Betreiben Sie das Gerät **nicht** in Räumen, in denen Explosionsgefahr besteht.



### WARNUNG!

- **Elektrogeräte sind kein Kinderspielzeug!**  
Kinder können Gefahren, die von elektrischen Geräten ausgehen, nicht richtig einschätzen. Lassen Sie Kinder nicht ohne Aufsicht elektrische Geräte benutzen.
- Dieses Gerät kann von Kindern ab 8 Jahren und darüber sowie von Personen mit verringerten physischen, sensorischen oder mentalen Fähigkeiten oder Mangel an Erfahrung und Wissen benutzt werden, wenn sie beaufsichtigt oder bezüglich des sicheren Gebrauchs des Gerätes unterwiesen wurden und die daraus resultierenden Gefahren verstehen.
- Benutzen Sie das Gerät nur zu seinem bestimmungsgemäßen Gebrauch.
- Führen Sie keine Änderungen oder Umbauten am Gerät durch!
- Die Installation, Wartung und Reparaturen des Generators dürfen nur von Fachkräften durchgeführt werden, die mit den Gefahren beim Umgang mit Generatoren sowie den einschlägigen Vorschriften vertraut sind. Durch unsachgemäße Reparaturen können erhebliche Gefahren entstehen. Wenden Sie sich im Reparaturfall an die Niederlassung des Herstellers in Ihrem Land (Adressen auf der Rückseite).
- Kennzeichnen Sie bei Wartungsarbeiten den Bereich um das Gerät und sperren Sie den Zugang zu Bereichen, deren Aktivierung zu Gefahren führt.

- Die Abgase enthalten Kohlenmonoxid, ein äußerst giftiges, geruchloses und farbloses Gas. Atmen Sie die Abgase nicht ein. Lassen Sie den Motor des Generators nicht in einer geschlossenen Garage oder in einem fensterlosen Raum laufen.

**VORSICHT!**

- Der Generator darf ausschließlich bei geschlossener Inspektionsklappe benutzt werden.
- Entfernen Sie alle leicht brennbaren Materialien wie Benzin, Lacke, Lösungsmittel usw. aus der Nähe des Generators.
- Vergewissern Sie sich, dass keine heiß werdenden Teile des Generators mit leicht brennbaren Materialien in Berührung kommen.
- Tanken Sie den Generator nur abgeschaltet und in einem gut belüfteten Bereich auf. Diesel ist hoch entzündlich und kann explodieren.
- Tanken Sie den Generator nicht bei angestelltem Fahrzeugmotor, wenn sich der Tank in der Nähe des Fahrzeugmotors befindet.
- Wischen Sie verschütteten Diesel gut auf, und warten Sie vor dem Einschalten des Motors, bis sich die Dämpfe verzogen haben.
- Berühren Sie den Generator und die Leitungen nicht mit feuchten Händen.
- Ersetzen Sie die Sicherungen nur durch solche mit denselben technischen Daten.

**ACHTUNG!**

- Füllen Sie den Tank nicht zu voll. Im Hals des Tanks darf sich kein Kraftstoff befinden. Kontrollieren Sie, ob der Deckel richtig geschlossen ist.



## 2.2 Sicherheit beim Betrieb des Gerätes



### WARNUNG!

- Unterbrechen Sie bei Arbeiten am Gerät immer die Stromversorgung.



### ACHTUNG!

- Betreiben Sie das Gerät nur, wenn das Gehäuse und die Leitungen unbeschädigt sind.

## 3 Zielgruppe dieser Anleitung

Diese Bedienungsanleitung wendet sich an den Anwender des Generators.

## 4 Lieferumfang

Bezeichnung	Artikelnummer
Generator TEC40D	9102900201
Fernbedienung	
Abgasleitung, 2 m	
Befestigungsmaterial für den Schalldämpfer	
Anschlusskabel	
AG 102, Umschaltrelais zur Realisierung einer Vorrangschaltung	
Befestigungsmaterial	
Einbauanleitung	
Bedienungsanleitung	

## 5 Zubehör

Als Zubehör erhältlich (nicht im Lieferumfang enthalten):

Teilebezeichnung	Artikelnummer
PR 25044, externer Dichtungssatz	9102900174

## 6 Bestimmungsgemäßer Gebrauch

Der Generator TEC40D (Art.-Nr. 9102900201) ist ausgelegt für die Verwendung in Wohnwagen, Wohnmobilen und kommerziell genutzten Fahrzeugen.

Der Generator ist **nicht** für die Installation in Wasserfahrzeugen geeignet.

Der Generator erzeugt eine reine Sinus-Wechselspannung von 230 V/50 Hz, an die Verbraucher mit einer Gesamtdauerlast von 3500 W angeschlossen werden können. Die Stromqualität ist auch für empfindliche Verbraucher (z. B. PCs) geeignet.

Der Generator kann eine 12-V-Batterie aufladen.

## 7 Technische Beschreibung

Der Generator besteht aus folgenden Hauptelementen (Abb. **1**, Seite 3):

- Wechselstromgenerator (1)
- Endothermer Motor (2)
- Anschlusspanel (3)
- Inverter (4)
- Fernbedienung (5)

Der endotherme Motor (2) versetzt den fest mit ihm verbundenen Wechselstromgenerator (1) in Drehung, und dieser erzeugt eine Wechselspannung.

Der integrierte Inverter (4) formt diese Wechselspannung zu einer stabilen Spannung von 230 V und 50 Hz, die an den Klemmen des Inverters zur Verfügung steht. Am Inverter ist die Buchse für das Anschlusskabel an das Fernbedienung (5) angebracht.

Am Anschlusspanel (3) hinter der Tür sind die Anschlussklemmen und der Hauptschalter angebracht.

Der Generator besitzt einen integrierter Batterielader zum Aufladen der angeschlossenen Batterie.

## Bedienelemente am Anschlusspanel

Das Anschlusspanel befindet sich am Generator hinter der Abdeckhaube.

Pos. in Abb. <b>2</b> , Seite 3	Beschreibung	
1	Hauptschalter	Schaltet den Generator betriebsbereit oder funktionslos.
2	Anschlussklemme Batterie-Pluspol	Anschluss an die Plus-Klemme der Batterie.
3	Hauptsicherung	Löst aus bei Überspannung des Inverters
4	Sicherung Batterielader	Löst aus bei Überspannung des Batterieladers

## Bedienelemente an der Fernbedienung

Die Fernbedienung ist im Fahrzeuginneren angebracht.

Pos. in Abb. <b>3</b> , Seite 4	Beschreibung	
1	Display	Zeigt Statusmeldungen an.
2	Ein-/Ausschalter „  “	Schaltet das Bedienpanel ein und aus, wenn der Hauptschalter auf „I“ bzw. „1“ steht. Stoppt den Generator im Notfall.
3	Grüner Taster „START/STOP“	Startet/stoppt den Generator, wenn das Bedienpanel eingeschaltet ist und der Hauptschalter auf „I“ bzw. „1“ steht.
4	Kraftstoffanzeige	Leuchtet, wenn der Diesekraftstoff auf Reserve steht.
5	Ölanzeige	Leuchtet, wenn der Ölstand im Motor zu gering ist.

## Displayanzeigen

Pos. in Abb. <b>3</b> , Seite 4	Beschreibung	
6	Wechselspannung	Aktuelle Ausgangsspannung
7	Dauerleistung	Aktuelle Leistung der angeschlossenen Verbraucher
8	Betriebsstunden	Zeit, die der Generator im Betrieb ist
9	Gleichspannung	Batteriespannung
10	Meldungen	Statusmeldung des Generators (siehe Kapitel „Displaymeldungen“ auf Seite 39)

## 8 Generator bedienen



### **ACHTUNG!**

Beanspruchen Sie den Generator in den ersten 50 Betriebsstunden (Einlaufphase) nicht über 70 % der maximalen Dauerleistung.



### **HINWEIS**

Beanspruchen Sie den Generator nach der Einlaufphase maximal mit einer Last von ca. 75 % der maximalen Dauerleistung. So können Sie die Lebensdauer des Generators verlängern und seine Leistung maximieren.

## 8.1 Grundsätzliche Hinweise zur Bedienung



### **VORSICHT! Verletzungsgefahr!**

Stecken Sie keine Finger oder Gegenstände in die Luftdüsen oder das Ansauggitter.

Beachten Sie folgende grundsätzliche Hinweise:

- Wenn Sie den Generator bei niedrigen Temperaturen ( $< 0\text{ °C}$ ) betreiben, müssen Sie Winterdiesel verwenden oder dem Diesel einen Prozentteil Benzin gemäß folgender Tabelle hinzufügen:

Umgebungstemperatur	Sommerdiesel	Winterdiesel
-10 bis $0\text{ °C}$	20 %	–
-15 bis $-10\text{ °C}$	30 %	–
-20 bis $-15\text{ °C}$	30 %	20 %

- Kontrollieren Sie vor jeder Verwendung den Ölstand (Kapitel „Ölstand kontrollieren“ auf Seite 41).
- Auch geringe Überlastungen führen auf Dauer dazu, dass der Generator stoppt.
- Lassen Sie den Generator nach dem Gebrauch einige Minuten ohne Verbraucher in Betrieb, bevor Sie ihn stoppen.
- Scharfes Abbremsen, Beschleunigen und Kurvenfahrten des Fahrzeugs können Probleme im Pumpsystem des Generators hervorrufen und zu seinem ungewollten Ausschalten führen.
- Wenn Sie den Generator für längere Zeit nicht benutzen, starten Sie ihn mindestens alle 10 Tage und lassen Sie ihn mindestens 15 Minuten laufen.

## 8.2 Generator betriebsbereit oder funktionslos schalten

Mit dem Hauptschalter (Abb. **2** 1, Seite 3) an der Anschlussbox wird der Generator betriebsbereit oder funktionslos geschaltet.

## 8.3 Bedienpanel ein- und ausschalten

Mit dem Ein-/Ausschalter (Abb. **3** 2, Seite 4) am Bedienpanel wird das Bedienpanel ein- und ausgeschaltet.

- Schalten Sie mit dem Ein-/Ausschalter das Bedienpanel ein.
- ✓ Das Display zeigt: *GEN OFF*.  
Das Display schaltet sich nach 5 min automatisch aus, wenn innerhalb dieser Zeit der Startertaster nicht betätigt wurde.  
Durch Drücken des Startertasters können Sie das Display wieder einschalten.
- ✓ Der Generator kann nun gestartet werden.

## 8.4 Generator starten

Der Generator kann nur gestartet werden, wenn er betriebsbereit geschaltet ist und wenn das Bedienpanel eingeschaltet ist.



### **HINWEIS**

Bei noch warmem Generator drücken Sie zum Anlassen nur kurz auf den Starttaster, bei kaltem Generator länger.

- Starten Sie den Generator mit dem grünen Taster „START/STOP“ (Abb. **3** 3, Seite 4).

## 8.5 Generator stoppen

- Stoppen Sie den Generator mit dem Ein-/Ausschalter (Abb. **3** 2, Seite 3).  
Wenn der Generator nicht stoppt: Schalten Sie ihn mit dem Hauptschalter (Abb. **2** 1, Seite 3) aus.

## 8.6 Displaymeldungen

Displaymeldung Beschreibung	Verhalten des Generators	Maßnahmen
<b>LOW BATTERY</b> Die Batteriespannung ist unter den Mindestwert für die Ausführung von Startversuchen abgesunken (9 V).	Der Generator springt nicht an.	Batterie laden.
<b>CHECK OIL LEVEL</b>	Der Generator läuft weiter.	Öl nachfüllen (siehe Kapitel „Ölstand kontrollieren“ auf Seite 41).
<b>OIL CHANGE</b> Die Zählung der Betriebsstunden hat den vorgegebenen Wert für den Motorölwechsel erreicht.	Der Generator läuft weiter.	Den Ölwechsel durchführen (siehe Kapitel „Öl wechseln“ auf Seite 45). Um den Alarm zurückzusetzen, starten Sie den Generator: drücken Sie den Taster „START/STOP“ und halten Sie ihn gedrückt.
<b>NO FUEL</b> Der Diesekraftstoff im Tank steht auf Reserve.	Der Generator läuft weiter.	Tanken.
<b>OIL TEMP PRESS</b> Motoröl fehlt. Motortemperatur zu hoch.	Der Generator stoppt.	Öl nachfüllen (siehe Kapitel „Ölstand kontrollieren“ auf Seite 41).  Den Generator abkühlen lassen, ein paar Minuten warten, dann den Generator erneut starten.
<b>GENERATOR ALERT!</b> Allgemeine Alarmmeldung	Der Generator stoppt.	Das System mit Hilfe der Tabelle Störungen, Ursachen und Abhilfen überprüfen. Falls das Problem fortbesteht, wenden Sie sich an die Niederlassung des Herstellers in Ihrem Land (Adressen auf der Rückseite).
<b>OVERLOAD!</b> Die Verbraucher erzeugen eine Überlast am Ausgang.	Der Inverter schaltet ab, daher wird keine Spannung mehr abgegeben, aber der Motor läuft weiter, bis er ausgeht.	Die angeschlossene Last verringern und den Generator erneut starten.

<b>Displaymeldung Beschreibung</b>	<b>Verhalten des Generators</b>	<b>Maßnahmen</b>
<i>SHORT CIRCUIT</i> Die Verbraucher erzeugen einen Kurzschluss am Ausgang.	Der Inverter schaltet ab, daher wird keine Spannung mehr abgegeben, aber der Motor läuft weiter, bis er ausgeht.	Den Zustand der angeschlossenen Verbraucher kontrollieren, dann den Generator erneut starten.
<i>OVER TEMPERATURE</i> Invertertemperatur zu hoch.	Der Inverter schaltet ab, daher wird keine Spannung mehr abgegeben, aber der Motor läuft weiter, um den Generator zu kühlen.	Den Generator abkühlen lassen, ein paar Minuten warten, dann den Generator erneut starten.
<i>LOW POWER ENGINE</i> Abfall der Versorgungsspannung des Inverters.	Der Generator stoppt.	Die angeschlossene Last verringern und den Generator erneut starten.
<i>GEN CAL</i> Meldung, die beim Start des Generators erscheint; sie zeigt die Kalibrierungsphase an, die jedem Start vorangeht. Der Generator gibt noch keine Spannung ab.	Der Generator dreht, erzeugt aber keine Spannung.	Einen Augenblick warten.
<i>GEN WAIT</i> Meldung, die in der Pause zwischen zwei Startversuchen erscheint.	Der Generator ist ausgeschaltet.	Warten, bis die Meldung verschwindet, dann einen erneuten Zündversuch machen.
<i>GEN ON</i> Normaler Betrieb des Generators.	Normalbetrieb	–
<i>GEN OFF</i>	Der Generator befindet sich im Standby und kann gestartet werden.	–



## 8.7 Ölstand kontrollieren



### VORSICHT!

Heißes Öl kann Verbrennungen hervorrufen.  
Prüfen Sie den Ölstand nur bei ausgeschaltetem Generator.



### HINWEIS

Der Generator muss waagrecht stehen.

Kontrollieren Sie vor jeder Verwendung den Ölstand. Gehen Sie hierzu wie folgt vor:

- Öffnen Sie die Klappe des Generators.
- Schalten Sie den Generator mit dem Hauptschalter (Abb. **4** 1, Seite 4) funktionslos.
- Trennen Sie die Verbindung zum Pluspol der Versorgungsbatterie.
- Ziehen Sie den Messstab (Abb. **4** 2, Seite 4) aus dem Einfüllstutzen (Abb. **4** 3, Seite 4).
- Reinigen Sie den Messstab (Abb. **4** 2, Seite 4) mit einem Lappen.
- Stecken Sie den Messstab (Abb. **4** 2, Seite 4) komplett in den Einfüllstutzen (Abb. **4** 3, Seite 4).
- Ziehen Sie den Messstab (Abb. **4** 2, Seite 4) aus dem Einfüllstutzen.
- Kontrollieren Sie, ob der Ölstand zwischen der Kerbe (maximaler Füllstand) und der Spitze des Messstabes liegt.  
Falls nicht, füllen Sie Öl nach.
- Stecken Sie den Messstab (Abb. **4** 2, Seite 4) komplett in den Einfüllstutzen (Abb. **4** 3, Seite 4).
- Verbinden Sie den Generator mit dem Pluspol der Versorgungsbatterie.
- Schalten Sie den Generator mit dem Hauptschalter (Abb. **4** 1, Seite 4) betriebsbereit.
- Schließen Sie die Klappe des Generators.

## 9 Generator reinigen



### **ACHTUNG! Beschädigungsgefahr!**

- Reinigen Sie den Generator nicht mit einem Hochdruckreiniger. Eindringendes Wasser kann den Generator beschädigen.
  - Verwenden Sie keine scharfen oder harten Gegenstände oder Reinigungsmittel zur Reinigung, da dies zu einer Beschädigung des Generators führen kann.
  - Verwenden Sie zur Reinigung des Generators lediglich Wasser mit einem schonenden Reinigungsmittel. Verwenden Sie auf keinen Fall Benzin, Diesel oder Lösungsmittel.
- 
- Reinigen Sie das Gehäuse des Generators gelegentlich mit einem feuchten Tuch.
  - Entfernen Sie regelmäßig Verschmutzungen von den Belüftungsöffnungen des Generators. Achten Sie darauf, dass Sie dabei nicht die Lamellen des Generators beschädigen.

# 10 Generator warten

## 10.1 Wartungstabelle



### WARNUNG!

Lassen Sie alle Wartungsarbeiten nur von Fachkräften durchgeführt werden, die mit den einschlägigen Vorschriften vertraut sind. Durch unsachgemäße Wartungsarbeiten können erhebliche Gefahren entstehen.



### HINWEIS

Lassen Sie folgende Wartungsarbeiten in den angegebenen Abständen oder nach der angegebenen Zahl von Betriebsstunden ausführen, je nachdem, welcher Fall früher eintritt.

Intervall	Prüfung/Wartung
Im ersten Monat oder nach 50 Stunden	<ul style="list-style-type: none"> <li>➤ Lassen Sie das Öl wechseln.</li> </ul>
Alle 250 Stunden	<ul style="list-style-type: none"> <li>➤ Lassen Sie das Öl wechseln.</li> <li>➤ Lassen Sie das Kühlsystem des Motors reinigen.</li> <li>➤ Ventilspiel und Schrauben kontrollieren lassen. Ggf. Ventilspiel einstellen und Schrauben festziehen lassen.</li> <li>➤ Lassen Sie den Luftfilter kontrollieren (Kapitel „Luftfilter warten“ auf Seite 47).</li> </ul>
Alle 500 Stunden	<ul style="list-style-type: none"> <li>➤ Lassen Sie den Luftfilter und die Kraftstofffilter austauschen.</li> </ul>
Jährlich oder alle 1000 Stunden	<ul style="list-style-type: none"> <li>➤ Lassen Sie den Ölfilter reinigen.</li> </ul> <p>Folgendes muss durch einen von HATZ autorisierten Händler oder durch Fachkräfte, die von von Dometic geschult wurden, durchgeführt werden:</p> <ul style="list-style-type: none"> <li>➤ Lassen Sie die Dieseleinspritzpumpe warten.</li> <li>➤ Lassen Sie den Vibrationsdämpfer warten.</li> </ul>

## 10.2 Wartungsarbeiten vorbereiten



### VORSICHT!

Beachten Sie bei allen Wartungsarbeiten:

- Der Generator darf nicht in Betrieb sein.
- Alle Teile müssen abgekühlt sein.

- Öffnen Sie die Klappe des Generators.
- Schalten Sie den Generator mit dem Hauptschalter (Abb. **2** 1, Seite 3) funktionslos.
- Trennen Sie die Verbindung zum Pluspol der Versorgungsbatterie.

Für Wartungsarbeiten können Sie den Generator herausziehen:



### WARNUNG!

Die Trägerplatte mit Generator ist sehr schwer (> 90 kg) und kann aus dem Gehäuse fallen, wenn Sie sie zu weit herausziehen.

- Lösen Sie die Befestigungsschraube (Abb. **5** 1, Seite 5).
- Ziehen Sie die Trägerplatte (Abb. **5** 2, Seite 5) mit dem Generator aus dem Gehäuse.

## 10.3 Wartungsarbeiten abschließen

- Verbinden Sie den Generator mit dem Pluspol der Versorgungsbatterie.
- Schalten Sie den Generator mit dem Hauptschalter (Abb. **2** 1, Seite 3) betriebsbereit.
- Schließen Sie die Klappe des Generators.

## 10.4 Öl wechseln



### **VORSICHT!**

Heißes Öl kann Verbrennungen hervorrufen.



### **ACHTUNG!**

Geben Sie Altöl unbedingt an Spezialfirmen für die Entsorgung oder Rückgewinnung, und beachten Sie die Gesetze des betreffenden Landes zum Schutz der Umwelt.

Folgende Öle können Sie verwenden:

- Öl mit den Eigenschaften:
  - CCMC D4, D5, PD
  - API CD, CE, CF, CG
  - SHPD
- Öl der Klassen SAE:
  - 5W-30
  - 5W-40
  - 100W
  - 100W-30 (Empfohlen)
  - 10W-30
  - 15W-30
  - 30
  - 40
- Öl mit Einbereichs-Viskosität:  
Wählen Sie die geeignete Viskosität in Abhängigkeit von der mittleren Ortstemperatur.

So wechseln Sie das Öl (Abb. **6**, Seite 5):

- ▶ Lassen Sie den Generator drei bis fünf Minuten warmlaufen, damit das Öl flüssiger wird und schnell und vollständig abfließt.
- ▶ Ziehen Sie den Messstab **(1)** aus dem Einfüllstutzen **(2)**.
- ▶ Stellen Sie einen geeigneten Behälter **(4)** nahe an den Ölschlauch **(5)**.
- ▶ Lösen Sie die Schelle **(3)**.
- ▶ Nehmen Sie den Ölschlauch **(5)** ab und lassen Sie das Öl in den Behälter **(4)** ablaufen.
- ▶ Setzen Sie den Ölschlauch **(5)** auf das Schlauchanschlussstück.

- Befestigen Sie den Ölschlauch (5) mit der Schelle (3).
- Füllen Sie das frische Öl in den Einfüllstutzen (2).  
Die maximale Ölmenge beträgt 1,1 l.  
Der Ölstand muss zwischen den Maximum- und Minimum-Kerben des Messstabes (1) liegen.
- Stecken Sie den Messstab (1) komplett in den Einfüllstutzen (2).

## 10.5 Kraftstofffilter austauschen



### **ACHTUNG!**

Entsorgen Sie austretenden Kraftstoff entsprechend der Gesetze des betreffenden Landes zum Schutz der Umwelt.

Es sind zwei Kraftstofffilter (Abb. 7 2 und 4, Seite 6) im Generator vorhanden.

- Stellen Sie einen geeigneten Behälter unter den Kraftstofffilter (Abb. 7 2 und 4, Seite 6).
- Lockern Sie die Befestigungsschellen (Abb. 7 1 und 3, Seite 6).
- Entnehmen Sie den Kraftstofffilter und setzen Sie einen neuen ein.
- Ziehen Sie die Befestigungsschellen wieder an.

## 10.6 Luftfilter warten



### **WARNUNG! Explosionsgefahr!**

Verwenden Sie kein Dieselöl oder Lösungsmittel mit niedrigem Verdampfungspunkt zur Reinigung des Luftfilters. Diese können sich entzünden oder explodieren.



### **VORSICHT!**

Tragen Sie eine Atemschutzmaske und Schutzbrille.



### **ACHTUNG!**

Lassen Sie den Motor nie ohne Luftfilter laufen. Sonst nutzt sich der Motor schnell ab.



### **HINWEIS**

Wenn der Luftfilter verschmutzt ist, wird der Luftstrom zum Motor verringert. Damit der Motor gut funktioniert, sollten Sie den Filterzustand regelmäßig kontrollieren. Kontrollieren Sie ihn entsprechend häufiger, wenn der Generator in besonders staubiger Umgebung benutzt wird.

Prüfen und wechseln Sie den Luftfilter wie folgt (Abb. **8**, Seite 6):

- Entfernen Sie den Befestigungskappe (1) und die Filterabdeckung (2).
- Entfernen Sie die Rändelmutter (3).
- Entnehmen Sie den Luftfilter (4).
- Kontrollieren Sie den Zustand des Luftfilters (4) sorgfältig:
  - Leuchten Sie mit einer Lampe in den Luftfilter, und prüfen Sie, ob die Papiermembrane beschädigt ist.
  - Wechseln Sie den Luftfilter aus:
    - wenn er beschädigt
    - wenn er durch feuchte oder ölige Verunreinigungen verschmutzt ist
- Reinigen Sie den unbeschädigten Luftfilter von trockenen Verunreinigungen.
  - Reinigen Sie den Luftfilter mit trockener Druckluft (verwenden Sie keine Druckluftdüsen mit einem Druck höher als 2 bis 2,5 bar): Blasen Sie die Druckluft von innen nach außen, bis der Staub vollständig entfernt ist.
- Reinigen Sie die Filterabdeckung (2).

- Setzen Sie den Luftfilter (4) ein.
- Befestigen Sie die Rändelmutter (3).
- Bringen Sie die Filterabdeckung (2) wieder an.
- Befestigen Sie die Filterabdeckung (2) mit dem Befestigungskappe (1).

## 11 Störungen beseitigen

Störung	Ursache	Behebung
Bei Drücken des Ein-/Ausschalters geht das Bedienpanel nicht an.	Starterbatterie leer.	➤ Laden Sie die Starterbatterie.
	Stromkabel unterbrochen oder Stecker abgezogen.	➤ Wenden Sie sich an eine autorisierte Fachwerkstatt.
	Sicherung (falls vorhanden) ist ausgelöst.	
Bei Drücken des Starttasters dreht der Anlasser nicht.	Starterbatterie leer.	➤ Laden Sie die Starterbatterie.
	Der Hauptschalter steht auf „0“.	➤ Stellen Sie den Hauptschalter auf „I“ bzw. „1“.
	Platine beschädigt.	➤ Wenden Sie sich an eine autorisierte Fachwerkstatt.
Der Anlasser dreht, aber der Generatorspringt nicht an.	Anlasser wird nicht mit Strom versorgt.	
	Einspritzventile verschmutzt. Motor defekt.	➤ Wenden Sie sich an eine autorisierte Fachwerkstatt.
Der Generator neigt zum Ausgehen.	Zu viel Öl im Motor.	➤ Lassen Sie Öl ab (siehe Kapitel „Öl wechseln“ auf Seite 45).
	Zu hohe Last.	➤ Schalten Sie Verbraucher ab.
	Luftansaugung verstopft.	➤ Lassen Sie den Luftfilter kontrollieren (siehe Kapitel „Luftfilter warten“ auf Seite 47).
	Inverter beschädigt.	➤ Wenden Sie sich an eine autorisierte Fachwerkstatt.
	Defekt in der Stromversorgung der Einspritzpumpe.	
Der Generator ist angesprungen, erzeugt aber keine Spannung.	Einspritzventile verschmutzt.	
	Inverter beschädigt.	➤ Wenden Sie sich an eine autorisierte Fachwerkstatt.
	Die elektrischen Verbindungen sind nicht richtig angeschlossen.	➤ Prüfen Sie die elektrischen Verbindungen.



Störung	Ursache	Behebung
Die erzeugte Spannung ist instabil.	Zu hohe Last.	➤ Schalten Sie Verbraucher ab.
	Luftansaugung verstopft.	➤ Lassen Sie den Luftfilter kontrollieren (siehe Kapitel „Luftfilter warten“ auf Seite 47).
	Inverter beschädigt.	➤ Wenden Sie sich an eine autorisierte Fachwerkstatt.
	Defekt in der Stromversorgung der Einspritzpumpe.	
	Einspritzventile verschmutzt.	
Der Batterielader liefert keine Spannung.	Sicherung des Batterieladers beschädigt.	➤ Sicherung auswechseln.

## 12 Gewährleistung

Es gilt die gesetzliche Gewährleistungsfrist. Sollte das Produkt defekt sein, wenden Sie sich bitte an einen Service-Partner in Ihrem Land (Adressen siehe Rückseite der Anleitung).

Unsere Spezialisten helfen Ihnen gerne weiter und besprechen mit Ihnen den weiteren Verlauf der Gewährleistung.

## 13 Entsorgung

- Geben Sie das Verpackungsmaterial möglichst in den entsprechenden Recycling-Müll.



Wenn Sie das Produkt endgültig außer Betrieb nehmen, informieren Sie sich bitte beim nächsten Recyclingcenter oder bei Ihrem Fachhändler über die zutreffenden Entsorgungsvorschriften.



### Schützen Sie Ihre Umwelt!

Akkus und Batterien gehören nicht in den Hausmüll.

Geben Sie bitte Ihre defekten Akkus oder verbrauchten Batterien beim Händler oder bei einer Sammelstelle ab.

# 14 Technische Daten

	<b>Dometic TEC40D</b>
Art.-Nr.:	9102900201
Ausgangsnennspannung:	230 V~ / 50 Hz
Max. Dauerleistung (bei 25 °C auf Meereshöhe):	3500 W
Ausgangsspannung Batterielader:	12 V===
Max. Ausgangsstrom Batterielader:	60 A
Betriebstemperaturbereich:	-15 °C bis +50 °C
Kraftstoff:	Dieselmotorkraftstoff nach EN 590
Motor:	Hatz (1 B 30V)
Verbrauch:	max. 1,4 l/h
Motorleistung:	4,7 kW (6,4 PS)
Max. Drehzahl:	3300 min <sup>-1</sup>
Motoröl:	1,1 l
Schallpegel:	89 dB(A)
Schallpegel in 7 m Abstand:	64 dB(A)
Abmessungen:	siehe Abb. <b>9</b> , Seite 7
Gewicht:	96,5 kg
Prüfung/Zertifikat:	

**Veillez lire ce manuel attentivement avant de mettre l'appareil en service et conservez-le. En cas de passer le produit, veuillez le transmettre au nouvel acquéreur.**

## **Sommaire**

1	Explication des symboles . . . . .	52
2	Consignes de sécurité . . . . .	52
3	Groupe cible de cette notice . . . . .	55
4	Contenu de la livraison . . . . .	55
5	Accessoires . . . . .	55
6	Usage conforme. . . . .	56
7	Description technique . . . . .	56
8	Utilisation du générateur . . . . .	58
9	Nettoyage du générateur . . . . .	64
10	Maintenance du générateur . . . . .	65
11	Guide de dépannage . . . . .	70
12	Garantie . . . . .	71
13	Retraitement . . . . .	71
14	Caractéristiques techniques. . . . .	72

# 1 Explication des symboles



## **AVERTISSEMENT !**

**Consigne de sécurité** : le non-respect de ces consignes peut entraîner la mort ou de graves blessures.



## **ATTENTION !**

**Consigne de sécurité** : le non-respect de ces consignes peut entraîner des blessures.



## **AVIS !**

Le non-respect de ces consignes peut entraîner des dommages matériels et des dysfonctionnements du produit.



## **REMARQUE**

Informations complémentaires sur l'utilisation du produit.

- **Manipulation** : ce symbole vous indique une action à effectuer. Les manipulations à effectuer sont décrites étape par étape.
- ✓ Ce symbole décrit le résultat d'une manipulation.

**Fig. 1 5, page 3** : cette information renvoie à un élément figurant sur une illustration, dans cet exemple à la « position 5 de l'illustration 1 à la page 3 ».

# 2 Consignes de sécurité

Le fabricant décline toute responsabilité pour des dommages dans les cas suivants :

- des influences mécaniques et des surtensions ayant endommagé le matériel
- des modifications apportées au produit sans autorisation explicite de la part du fabricant
- une utilisation différente de celle décrite dans la notice

Il décline notamment toute responsabilité pour tous les dommages consécutifs, en particulier pour les dommages consécutifs à une panne du générateur.

Lors de l'utilisation d'appareils électriques, les consignes générales de sécurité suivantes doivent être respectées afin d'éviter :

- une décharge électrique,
- un incendie,
- des blessures.

## 2.1 Consignes générales de sécurité



### DANGER !

- N'utilisez **pas** l'appareil dans des pièces où il existe un risque d'explosion.



### AVERTISSEMENT !

- **Les appareils électriques ne sont pas des jouets pour enfants !**

Les enfants ne peuvent pas estimer correctement les dangers éventuels des appareils électriques. Ne laissez pas les enfants utiliser des appareils électriques sans surveillance.

- Les enfants âgés de 8 ans et plus ainsi que les personnes ayant des déficiences physiques, sensorielles ou mentales ou un manque d'expérience ou de connaissances peuvent utiliser ce produit à condition d'être sous surveillance ou d'avoir reçu des instructions concernant l'utilisation de l'appareil en toute sécurité et de comprendre les dangers qui en résultent.
- Utilisez l'appareil conformément à l'usage pour lequel il a été conçu.
- Ne procédez à aucune modification ni transformation de l'appareil !
- L'installation, la maintenance et les réparations du générateur doivent être effectuées uniquement par un personnel qualifié et parfaitement informé des dangers relatifs à la manipulation des générateurs et des règlements spécifiques. Toute réparation mal effectuée risquerait d'entraîner de graves dangers. Si des réparations sont nécessaires, adressez-vous à la succursale du fabricant de votre pays (adresses au dos de la notice).
- Lorsque vous effectuez des travaux de maintenance, délimitez la zone autour de l'appareil et bloquez l'accès aux éléments dont l'activation pourrait comporter un danger.

- Les gaz d'échappement contiennent du monoxyde de carbone, un gaz incolore et inodore, extrêmement toxique. Ne respirez pas les gaz d'échappement. Ne faites pas tourner le moteur du générateur dans un garage fermé ou dans une pièce sans fenêtres.

**ATTENTION !**

- Le générateur doit uniquement être utilisé avec la porte d'inspection fermée.
- Éloignez toutes les matières inflammables (essence, vernis, détergents, etc.) qui se trouvent à proximité du générateur.
- Veillez à ce qu'aucune pièce du générateur, susceptible de chauffer, n'entre en contact avec les matières facilement inflammables.
- Ne ravitaillez le générateur que lorsqu'il est arrêté et dans une pièce suffisamment aérée. Le diesel est hautement inflammable et risque d'exploser.
- Si le réservoir se trouve à proximité du générateur, ne ravitaillez pas le générateur lorsque le moteur du véhicule est en marche.
- Essuyez correctement l'essence renversée et attendez que les vapeurs se dissipent avant d'allumer le moteur.
- Ne touchez pas le générateur et les conduites avec les mains humides.
- Remplacez les fusibles uniquement par des pièces présentant les mêmes caractéristiques techniques.

**AVIS !**

- Ne remplissez pas trop le réservoir. Le goulot du réservoir ne doit pas contenir de carburant. Veillez à ce que le couvercle soit bien fermé.

## 2.2 Consignes de sécurité



### AVERTISSEMENT !

- Coupez l'alimentation électrique au cours de travaux sur l'appareil.



### AVIS !

- Faites fonctionner l'appareil uniquement si le boîtier et les conduites sont intacts.

## 3 Groupe cible de cette notice

Ce manuel s'adresse à l'utilisateur du générateur.

## 4 Contenu de la livraison

Désignation	Numéro de produit
Générateur TEC40D	9102900201
Télécommande	
Conduite de gaz d'échappement, 2 m	
Matériel de fixation pour le silencieux	
Câble de raccordement	
AG 102, relais de commutation pour la réalisation d'un raccordement prioritaire	
Matériel de fixation	
Manuel de montage	
Manuel d'utilisation	

## 5 Accessoires

Disponibles en accessoires (non compris dans la livraison) :

Désignation des pièces	Numéro de produit
PR 25044, kit de joints externes	9102900174

## 6 Usage conforme

Le générateur TEC40D (numéro d'article 9102900201) est conçu pour une utilisation dans les caravanes, campings-cars et véhicules commerciaux.

Le générateur n'est **pas** conçu pour une utilisation dans les bateaux.

Le générateur crée une tension alternative sinusoïdale pure de 230 V / 50 Hz à laquelle les consommateurs d'énergie peuvent être reliés avec une charge continue totale de 3500 W. La qualité du courant est également adaptée aux consommateurs d'énergie de forte sensibilité (p. ex. PC).

Le générateur peut charger une batterie de 12 V.

## 7 Description technique

Le générateur est composé des éléments principaux suivants (fig. **1**, page 3) :

- Générateur de courant alternatif (**1**)
- Moteur endothermique (**2**)
- Panneau de raccordement (**3**)
- Onduleur (**4**)
- Télécommande (**5**)

Le moteur endothermique (**2**) met en rotation le générateur de courant alternatif (**1**) raccordé, ce dernier génère alors une tension alternative.

L'onduleur intégré (**4**) transforme cette tension alternative en une tension stable de 230 V et 50 Hz, disponible sur les bornes du générateur. La douille pour le câble de raccordement à la télécommande (**5**) se trouve au niveau de l'onduleur.

Les bornes de raccordement et le commutateur principal se trouvent au niveau du panneau de raccordement (**3**) situé derrière la porte.

Le générateur possède un chargeur de batterie intégré permettant de charger la batterie raccordée.



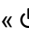
## Éléments de commande sur la boîte de raccordement

La boîte de raccordement se trouve sur le générateur, derrière le capot de recouvrement.

Pos. dans fig. <b>2</b> , page 3	Description	
1	Commutateur principal	Met le générateur en fonction ou hors service.
2	Borne de raccordement, pôle positif de la batterie	Raccordement à la borne positive de la batterie.
3	Fusible principal	Se déclenche en cas de surtension de l'onduleur
4	Fusible du chargeur de batterie	Se déclenche en cas de surtension du chargeur de batterie

## Éléments de commande sur la télécommande

La télécommande se trouve à l'intérieur du véhicule.

Pos. dans fig. <b>3</b> , page 4	Description	
1	Écran	Affiche les messages d'état.
2	Interrupteur Marche / Arrêt «  »	Active et désactive le panneau de commande lorsque le commutateur principal se trouve sur « I » ou « 1 ». Arrête le générateur en cas d'urgence.
3	Bouton vert « START/STOP »	Démarre/arrête le générateur lorsque le panneau de commande est activé et lorsque le commutateur principal se trouve sur « I » ou « 1 ».
4	Affichage du carburant	S'allume lorsque le carburant diesel est sur la réserve.
5	Indicateur du niveau d'huile	S'allume lorsque le niveau d'huile dans le moteur est trop faible.

## Affichages à l'écran

Pos. dans fig. 3, page 4	Description	
6	Tension alternative	Tension de sortie actuelle
7	Puissance de sortie permanente	Puissance actuelle du consommateur d'énergie raccordé
8	Heures de service	Indique les heures de fonctionnement du générateur
9	Tension continue	Tension de batterie
10	Messages	Message d'état du générateur (voir chapitre « Affichages à l'écran », page 61)

## 8 Utilisation du générateur



### **AVIS !**

Lors des 50 premières heures de service (phase de démarrage), ne sollicitez pas le générateur à plus de 70 % de la puissance continue maximale.



### **REMARQUE**

Après la phase de démarrage, sollicitez le générateur à une charge maximale d'env. 75 % de la puissance de sortie permanente maximale.

La durée de vie du générateur peut ainsi être allongée et sa puissance optimisée.

## 8.1 Remarques générales sur l'utilisation



### ATTENTION ! Risque de blessures !

Ne glissez ni les doigts, ni un quelconque objet dans les buses de ventilation ou la grille d'aspiration.

Veuillez respecter les consignes suivantes :

- Si vous utilisez le générateur lorsque la température est basse ( $< 0\text{ °C}$ ), vous devez utiliser un gazole d'hiver ou ajouter un pourcentage d'essence au gazole selon le tableau suivant :

Température ambiante	Gazole d'été	Gazole d'hiver
-10 à 0 °C	20 %	–
-15 à -10 °C	30 %	–
-20 à -15 °C	30 %	20 %

- Contrôlez le niveau d'huile avant chaque utilisation (chapitre « Contrôle du niveau d'huile », page 63).
- Même de petites surcharges entraînent, sur la durée, un arrêt du générateur.
- Après son utilisation, laissez tourner le générateur quelques minutes sans consommateur d'énergie avant de le couper.
- Un freinage brusque, une accélération ou des déplacements en virage du véhicule peuvent entraîner des problèmes dans le système de pompes du générateur et par conséquent son arrêt non intentionnel.
- Si vous n'utilisez pas le générateur pendant une longue période, démarrez-le au moins tous les 10 jours et laissez-le tourner pendant 15 minutes au minimum.

## 8.2 Mise en service ou hors service du générateur

Le commutateur principal (fig. **2** 1, page 3) sur la boîte de raccordement permet d'activer et de désactiver le générateur.

### 8.3 Mise en marche / à l'arrêt du panneau de commande

L'interrupteur Marche/Arrêt (fig. **3** 2, page 4) sur le panneau de commande permet de mettre ce dernier en marche et à l'arrêt.

► Activez le panneau de commande à l'aide de l'interrupteur Marche/Arrêt.

✓ L'écran affiche : *GEM OFF*.

L'écran se coupe automatiquement au bout de 5 min si l'interrupteur de démarrage n'a pas été actionné au cours de cette période.

En actionnant l'interrupteur de démarrage, l'écran peut être redémarré.

✓ Le générateur peut alors démarrer.

### 8.4 Démarrage du générateur

Le générateur peut uniquement être démarré lorsqu'il est opérationnel (mis en marche) et lorsque le panneau de commande est activé.



#### **REMARQUE**

Lorsque le générateur est encore chaud, appuyez brièvement sur l'interrupteur de démarrage pour le démarrer, s'il est froid appuyez plus longuement.

► Démarrez le générateur à l'aide de l'interrupteur vert MARCHE/ARRÊT (fig. **3** 3, page 4).

### 8.5 Arrêt du générateur

► Arrêtez le générateur à l'aide du commutateur Marche/Arrêt (fig. **3** 2, page 3).

Si le générateur ne s'arrête pas: coupez-le avec le commutateur principal (fig. **2** 1, page 3).

## 8.6 Affichages à l'écran

Message à l'écran Description	Comportement du générateur	Mesures
<b>LOW BATTERY</b> La tension de la batterie est tombée sous la valeur minimale requise pour les tentatives de démarrage (9 V).	Le générateur ne réagit pas.	Charger la batterie.
<b>CHECK OIL LEVEL</b>	Le générateur continue de tourner.	Faire l'appoint en huile (voir chapitre « Contrôle du niveau d'huile », page 63).
<b>OIL CHANGE</b> Le compteur d'heures de service a atteint la valeur indiquée pour la vidange de l'huile moteur.	Le générateur continue de tourner.	Vidanger l'huile (voir chapitre « Vidange d'huile », page 67). Pour réinitialiser l'alarme, démarrez le générateur : appuyez sur la touche « START/STOP » et maintenez-la enfoncée.
<b>NO FUEL</b> Le carburant diesel est sur la réserve.	Le générateur continue de tourner.	Faire l'appoint.
<b>OIL TEMP PRESS</b> Huile moteur manquante. Température moteur trop élevée.	Le générateur s'arrête.	Faire l'appoint en huile (voir chapitre « Contrôle du niveau d'huile », page 63).  Laisser refroidir le générateur, attendre quelques minutes puis redémarrer le générateur.
<b>GENERATOR ALERT!</b> Message d'alarme général	Le générateur s'arrête.	Contrôler le système à l'aide du tableau Pannes, origines et solutions.  Si le problème persiste, adressez-vous à la succursale du fabricant de votre pays (adresses au dos de la notice).
<b>OVERLOAD!</b> Les consommateurs d'énergie génèrent une surcharge au niveau de la sortie.	L'onduleur se coupe, plus aucune tension n'est disponible, toutefois le moteur continue de tourner jusqu'à ce qu'il s'arrête.	Réduisez la charge raccordée et redémarrez le générateur.

Message à l'écran Description	Comportement du générateur	Mesures
<b>SHORT CIRCUIT</b> Les consommateurs d'énergie génèrent un court-circuit au niveau de la sortie.	L'onduleur se coupe, plus aucune tension n'est disponible, toutefois le moteur continue de tourner jusqu'à ce qu'il s'arrête.	Contrôler l'état des consommateurs d'énergie raccordés puis redémarrer le générateur.
<b>OVER TEMPERATURE</b> Température onduleur trop élevée.	L'onduleur se coupe, plus aucune tension n'est disponible, toutefois le moteur continue de tourner pour refroidir le générateur.	Laisser refroidir le générateur, attendre quelques minutes puis redémarrer le générateur.
<b>LOW POWER ENGINE</b> Panne de la tension d'alimentation de l'onduleur.	Le générateur s'arrête.	Réduisez la charge raccordée et redémarrez le générateur.
<b>GEN CAL</b> Message apparaissant lors du démarrage du générateur ; il indique la phase de calibrage associée à chaque démarrage. Le générateur ne délivre plus de tension.	Le générateur tourne mais ne délivre plus de tension.	Attendre un instant.
<b>GEN WAIT</b> Message apparaissant lors de la pause entre deux tentatives de démarrage.	Le générateur est coupé.	Attendre que le message disparaisse puis refaire une tentative de démarrage.
<b>GEN ON</b> Fonctionnement normal du générateur.	Fonctionnement normal	–
<b>GEN OFF</b>	Le générateur est en mode de veille et peut être démarré.	–

## 8.7 Contrôle du niveau d'huile



### ATTENTION !

L'huile chaude peut entraîner des brûlures.  
Contrôlez le niveau d'huile uniquement lorsque le générateur est coupé.



### REMARQUE

Le générateur doit être installé à l'horizontale.

Contrôlez le niveau d'huile avant chaque utilisation. Procédez comme suit :

- Ouvrez la trappe du générateur.
- Coupez le générateur avec le commutateur principal (fig. **4** 1, page 4).
- Coupez la connexion vers le pôle positif de la batterie d'alimentation.
- Retirez la jauge (fig. **4** 2, page 4) de la tubulure de remplissage (fig. **4** 3, page 4).
- Essuyez la jauge (fig. **4** 2, page 4) avec un chiffon.
- Insérez complètement la jauge (fig. **4** 2, page 4) dans la tubulure de remplissage (fig. **4** 3, page 4).
- Retirez la jauge (fig. **4** 2, page 4) de la tubulure de remplissage.
- Contrôlez si le niveau d'huile se trouve entre la rainure (niveau maximal) et la pointe de la jauge.  
Si ce n'est pas le cas, faites l'appoint en huile.
- Insérez complètement la jauge (fig. **4** 2, page 4) dans la tubulure de remplissage (fig. **4** 3, page 4).
- Relevez le générateur au pôle positif de la batterie d'alimentation.
- Mettez le générateur en marche avec le commutateur principal (fig. **4** 1, page 4).
- Fermez la trappe du générateur.

## 9 Nettoyage du générateur



### ***AVIS ! Risques d'endommagement !***

- Ne nettoyez pas le générateur avec un nettoyeur haute pression. Toute infiltration d'eau peut endommager le générateur.
  - N'utilisez aucun objet coupant ou dur, ni de détergents pour le nettoyage. Cela pourrait endommager le générateur.
  - Pour nettoyer le générateur, utilisez uniquement de l'eau et un détergent doux. N'utilisez en aucun cas de l'essence, du diesel ou un solvant.
- 
- Nettoyez de temps à autre le boîtier du générateur avec un chiffon humide.
  - Éliminez régulièrement les impuretés des orifices de ventilation du générateur. Veillez à ne pas endommager les lamelles du générateur.



# 10 Maintenance du générateur

## 10.1 Tableau de maintenance



### AVERTISSEMENT !

Confiez toutes les opérations de maintenance à un personnel qualifié et parfaitement informé des directives en vigueur. Tout travail de maintenance mal effectué risquerait d'entraîner de graves dangers.



### REMARQUE

Faites réaliser les opérations de maintenance indiquées ci-dessous dans les intervalles de temps indiqués ou après les heures de fonctionnement spécifiées, selon l'événement arrivant en premier.

Intervalle	Contrôle / maintenance
Au cours du premier mois ou après 50 heures	<ul style="list-style-type: none"> <li>➤ Vidangez l'huile.</li> </ul>
Toutes les 250 heures	<ul style="list-style-type: none"> <li>➤ Vidangez l'huile.</li> <li>➤ Faites effectuer le nettoyage du système de refroidissement du moteur.</li> <li>➤ Faites contrôler le jeu des vannes et les vis. Le cas échéant, faites régler le jeu de la vanne et reserrer les vis.</li> <li>➤ Faites contrôler le filtre à air (chapitre « Entretien du filtre à air », page 68).</li> </ul>
Toutes les 500 heures	<ul style="list-style-type: none"> <li>➤ Faites remplacer le filtre à air et le filtre à carburant.</li> </ul>
Une fois par an ou toutes les 1 000 heures	<ul style="list-style-type: none"> <li>➤ Faites effectuer le nettoyage du filtre à huile.</li> </ul> <p>Le travail suivant doit être effectué par un revendeur agréé HATZ ou par des spécialistes formés par Dometic :</p> <ul style="list-style-type: none"> <li>➤ Faites entretenir la pompe à injection.</li> <li>➤ Faites entretenir l'amortisseur de vibrations.</li> </ul>

## 10.2 Préparation des opérations de maintenance



### ATTENTION !

À noter lors de chaque opération de maintenance :

- Le générateur ne doit pas être en cours de fonctionnement.
- Toutes les pièces doivent être refroidies.

- Ouvrez la trappe du générateur.
- Coupez le générateur avec le commutateur principal (fig. **2** 1, page 3).
- Coupez la connexion vers le pôle positif de la batterie d'alimentation.

Le générateur peut être retiré pour les opérations de maintenance :



### AVERTISSEMENT !

La plaque de support du générateur est très lourde (> 90 kg) et risque de tomber du boîtier si elle est trop tirée.

- Desserrez la vis de fixation (fig. **5** 1, page 5).
- Tirez la plaque de support (fig. **5** 2, page 5) avec le générateur en dehors du boîtier.

## 10.3 Fin des opérations de maintenance

- Reliez le générateur au pôle positif de la batterie d'alimentation.
- Mettez le générateur en marche avec le commutateur principal (fig. **2** 1, page 3).
- Fermez la trappe du générateur.

## 10.4 Vidange d'huile

**ATTENTION !**

L'huile chaude peut entraîner des brûlures.

**AVIS !**

Remettez impérativement l'ancienne huile à une entreprise spécialisée dans le recyclage ou la récupération et respectez les consignes de prévention de l'environnement en vigueur dans le pays concerné.

Vous pouvez utiliser les huiles suivantes :

- Huile avec les propriétés suivantes :
  - CCMC D4, D5, PD
  - API CD, CE, CF, CG
  - SHPD
- Huile SAE :
  - 5W-30
  - 5W-40
  - 100W
  - 100W-30 (recommandé)
  - 10W-30
  - 15W-30
  - 30
  - 40
- Huile de viscosité monocouche :

Sélectionnez la bonne viscosité en fonction de la température moyenne du lieu.

Pour vidanger l'huile (fig. **6**, page 5) :

- Laissez tourner à chaud le générateur pendant trois à cinq minutes afin que l'huile s'écoule plus liquide et plus rapidement.
- Retirez la jauge (1) de la tubulure de remplissage (2).
- Placez un récipient approprié (4) près du tuyau à huile (5).
- Desserrez le collier (3).
- Démontez le tuyau à huile (5) et faites couler l'huile dans le récipient (4).
- Posez le tuyau d'huile (5) sur le raccord de tuyau.

- Fixez le tuyau à huile (5) avec le collier (3).
- Versez la nouvelle huile dans la tubulure (2).  
La quantité d'huile maximum est de 1,1 l.  
Le niveau d'huile doit être compris entre les repères minimum et maximum de la jauge (1)
- Insérez complètement la jauge (1) dans la tubulure de remplissage (2).

## 10.5 Remplacement du filtre de carburant



### **AVIS !**

Éliminez le carburant qui s'écoule conformément aux lois du pays concerné relatives à la protection de l'environnement.

Il y a deux filtres à carburant (fig. 7 2 et 4, page 6) dans le générateur.

- Placez un récipient approprié sous le filtre de carburant (fig. 7 2 et 4, page 6).
- Détachez les colliers de fixation (fig. 7 1 et 3, page 6).
- Retirez le filtre à carburant et insérez un nouveau filtre.
- Resserrez les colliers de fixation.

## 10.6 Entretien du filtre à air



### **AVERTISSEMENT ! Risque d'explosion !**

N'utilisez pas de gazole ou de solution dont le point de vaporisation est bas pour nettoyer le filtre à air. Ces derniers risquent de s'enflammer et d'exploser.



### **ATTENTION !**

Portez un masque de protection respiratoire et des lunettes de protection.



### **AVIS !**

Ne laissez pas le moteur tourner sans filtre à air. Le moteur s'userait alors rapidement.

**REMARQUE**

Lorsque le filtre à air est encrassé, le flux d'air vers le moteur est réduit. Afin que le moteur fonctionne correctement, l'état du filtre à air doit être contrôlé régulièrement. Contrôlez-le encore plus fréquemment lorsque le générateur est utilisé dans des espaces particulièrement poussiéreux.

Pour contrôler et changer le filtre à air (fig. **8**, page 6) :

- Retirez le capuchon de fixation (1) et le cache du filtre (2).
- Retirez l'écrou moleté (3).
- Sortez le filtre à air (4).
- Contrôlez scrupuleusement l'état des deux filtres à air (4).  
Éclairez l'intérieur du filtre à air avec une lampe et contrôlez l'état de la membrane en papier.  
Remplacez le filtre à air :
  - s'il est endommagé
  - s'il est sali par des impuretés humides ou huileuses
- Si le filtre à air est intact, débarrassez-le des impuretés sèches.  
Effectuez le nettoyage du filtre à air avec de l'air comprimé sec (n'utilisez pas de buses d'air comprimé avec une pression supérieure à 2 ou 2,5 bars) : faites passer de l'air comprimé de l'intérieur vers l'extérieur jusqu'à ce que la poussière soit complètement éliminée.
- Nettoyez le cache du filtre (2).
- Mettez en place le filtre à air (4).
- Fixez l'écrou moleté (3).
- Remettez le cache du filtre en place (2).
- Fixez le cache du filtre (2) avec le capuchon de fixation (1).

# 11 Guide de dépannage

Dysfonctionnement	Cause	Solution
Le panneau de commande ne démarre pas lorsque l'interrupteur Marche / Arrêt est actionné.	Batterie de démarrage vide.	➤ Chargez la batterie de démarrage.
	Câble électrique coupé ou connecteur retiré.	➤ Prenez contact avec un atelier spécialisé.
	Le fusible (si existant) a sauté.	
Le démarreur ne tourne pas lorsque l'interrupteur de démarrage est actionné.	Batterie de démarrage vide.	➤ Chargez la batterie de démarrage.
	Le commutateur principal est positionné sur « 0 ».	➤ Amenez le commutateur principal en position « I » ou « 1 ».
	Platine endommagée.	➤ Prenez contact avec un atelier spécialisé.
	Le démarreur n'est pas alimenté en courant.	
Le démarreur tourne mais le générateur ne se lance pas.	Vannes d'injection salies.	➤ Prenez contact avec un atelier spécialisé.
	Moteur défectueux.	
Le générateur ralentit.	Trop d'huile dans le moteur.	➤ Évacuez de l'huile (voir chapitre « Vidange d'huile », page 67).
	Charge trop élevée.	➤ Coupez les consommateurs d'énergie.
	Aspiration d'air colmatée.	➤ Faites contrôler le filtre à air (voir chapitre « Entretien du filtre à air », page 68).
	Onduleur endommagé.	➤ Prenez contact avec un atelier spécialisé.
	Dysfonctionnement de l'alimentation électrique de la pompe d'injection.	
	Vannes d'injection salies.	
Le générateur a démarré, mais ne délivre aucune tension.	Onduleur endommagé.	➤ Prenez contact avec un atelier spécialisé.
	Les raccordements électriques ne sont pas correctement raccordés.	➤ Vérifiez les raccordements électriques.

Dysfonctionnement	Cause	Solution
La tension générée est instable.	Charge trop élevée.	➤ Coupez les consommateurs d'énergie.
	Aspiration d'air colmatée.	➤ Faites contrôler le filtre à air (voir chapitre « Entretien du filtre à air », page 68).
	Onduleur endommagé.	➤ Prenez contact avec un atelier spécialisé.
	Dysfonctionnement de l'alimentation électrique de la pompe d'injection.	
	Vannes d'injection salies.	
Le chargeur de batterie n'émet pas de tension.	Le fusible du chargeur de batterie est endommagé.	➤ Remplacer le fusible.

## 12 Garantie

Le délai légal de garantie s'applique. Si le produit s'avérait défectueux, veuillez vous adresser à un de nos partenaires de service présent dans votre pays (voir adresses au dos du présent manuel).

Nos spécialistes vous aideront avec plaisir et répondront à vos questions concernant la suite de la procédure pour la garantie.

## 13 Retraitement

- Jetez les emballages dans les conteneurs de déchets recyclables prévus à cet effet.



Lorsque vous mettez votre produit définitivement hors service, informez-vous auprès du centre de recyclage le plus proche ou auprès de votre revendeur spécialisé sur les prescriptions relatives au retraitement des déchets.



### Protégez l'environnement !

Les piles et les batteries usagées ne sont pas des déchets ménagers.

Rapportez les piles défectueuses ou les batteries usagées à votre revendeur ou à un centre de collecte.

## 14 Caractéristiques techniques

	<b>Dometic TEC40 D</b>
N° de produit :	9102900201
Tension nominale de sortie :	230 V~ / 50 Hz
Puissance continue max. (à 25 °C au niveau de la mer) :	3500 W
Tension de sortie du chargeur de batterie :	12 V==
Courant de sortie max. du chargeur de batterie :	60 A
Plage de température de fonctionnement :	-15 °C à +50 °C
Carburant :	diesel selon EN 590
Moteur :	Hatz (1 B 30V)
Consommation :	max. 1,4 l/h
Puissance du moteur :	4,7 kW (6,4 CV)
Régime max. :	3 300 tr/min
Huile de moteur :	1,1 l
Niveau sonore :	89 dB(A)
Niveau sonore à 7 m :	64 dB(A)
Dimensions :	voir fig. <b>9</b> , page 7
Poids :	96,5 kg
Contrôle/certificat :	



**Antes de poner en funcionamiento el producto, lea atentamente estas instrucciones y consérvelas para futuras consultas. En caso de vender o entregar el producto a otra persona, entregue también estas instrucciones.**

## Índice

1	Explicación de los símbolos . . . . .	74
2	Indicaciones de seguridad . . . . .	74
3	Destinatarios de estas instrucciones . . . . .	77
4	Volumen de entrega . . . . .	77
5	Accesorios . . . . .	77
6	Uso adecuado . . . . .	78
7	Descripción técnica . . . . .	78
8	Manejo del generador . . . . .	80
9	Limpiar el generador . . . . .	86
10	Mantenimiento del generador . . . . .	87
11	Solución de averías . . . . .	92
12	Garantía legal . . . . .	93
13	Gestión de residuos . . . . .	93
14	Datos técnicos . . . . .	94

# 1 Explicación de los símbolos



## ¡ADVERTENCIA!

**Indicación de seguridad:** su incumplimiento puede acarrear la muerte o graves lesiones.



## ¡ATENCIÓN!

**Indicación de seguridad:** su incumplimiento puede acarrear lesiones.



## ¡AVISO!

Su incumplimiento puede acarrear daños materiales y perjudicar el correcto funcionamiento del producto.



## NOTA

Información adicional para el manejo del producto.

- **Paso a seguir:** este símbolo le indica que debe realizar un paso. Todos los procedimientos necesarios se describen paso a paso.
- ✓ Este símbolo describe el resultado de un paso realizado.

**Fig. 1 5, página 3:** esta indicación hace referencia a un elemento de una figura, en este ejemplo a la “Posición 5 en la figura 1 de la página 3”.

## 2 Indicaciones de seguridad

El fabricante declina toda responsabilidad ante daños ocurridos en los siguientes casos:

- daños en el producto debido a influencias mecánicas y sobretensiones
- modificaciones realizadas en el producto sin el expreso consentimiento del fabricante
- utilización del aparato para fines distintos a los descritos en las instrucciones.

El fabricante no se hace responsable de ningún daño resultante, especialmente de los daños resultantes que pudieran producirse como consecuencia de una avería en el generador.

Al utilizar los aparatos eléctricos, respete las siguientes normas básicas de seguridad para protegerse de:

- descargas eléctricas
- peligro de incendio
- lesiones

## 2.1 Seguridad básica



### ¡PELIGRO!

- **No** utilice el aparato en recintos donde exista peligro de explosión.



### ¡ADVERTENCIA!

- **¡Los aparatos eléctricos no son juguetes!**  
Los niños no tienen capacidad de percibir los peligros que representan los aparatos eléctricos. No deje que los niños usen aparatos eléctricos sin estar bajo su vigilancia.
- Los niños mayores de 8 años y las personas de capacidad física, sensorial o mental disminuida, así como aquellas personas con falta de experiencia y/o conocimientos suficientes solo podrán utilizar este aparato si están vigilados o han sido instruidos respecto al uso seguro del aparato y a los posibles peligros que pueden emanar de él.
- Utilice el aparato solo para aquellos fines para los que ha sido concebido.
- No realice modificaciones en el aparato.
- Solo personal técnico que conozca tanto los posibles peligros relacionados con el uso de generadores como las normas correspondientes tiene autorización para realizar las tareas de instalación y la reparación del generador. Las reparaciones que se realicen incorrectamente pueden dar lugar a situaciones de considerable peligro. En caso de reparaciones, diríjase a la filial del fabricante en su país (direcciones al dorso).
- En caso de trabajos de mantenimiento, identifique el área alrededor del aparato e impida el acceso a aquellas áreas cuya activación pudiera ocasionar peligros.
- Los gases de escape contienen monóxido de carbono, un gas tóxico inoloro e incoloro. No inhale los gases de escape. No deje el motor del generador en un garaje cerrado ni en un recinto sin ventanas.

**¡ATENCIÓN!**

- El generador solo se puede utilizar con la tapa de inspección cerrada.
- Retire de los alrededores del generador todas las sustancias ligeramente inflamables como gasolina, barniz, disolventes, etc.
- Asegúrese de que ninguna parte del generador que se caliente durante el funcionamiento pueda entrar en contacto con ninguna sustancia fácilmente inflamable.
- Para llenar el depósito del generador, éste debe estar apagado y en un área bien ventilada. El diésel es altamente inflamable y puede explotar.
- No llene el depósito del generador cuando el motor del vehículo esté en marcha si el depósito se encuentra cerca del motor del vehículo.
- Si se derrama diésel, límpielo a fondo y espere a que dejen de emanar los efluvios antes de encender el motor.
- No toque el generador ni los cables con las manos húmedas.
- Los fusibles se han de cambiar por otros que presenten las mismas características técnicas.

**¡AVISO!**

- No llene demasiado el depósito. En el cuello del depósito no debe haber nada de combustible. Controle si la tapa está bien cerrada.

## 2.2 Seguridad durante el funcionamiento del aparato

**¡ADVERTENCIA!**

- Siempre que realice tareas en el aparato desconecte la alimentación de corriente.

**¡AVISO!**

- Utilice el aparato sólo cuando la carcasa y los cables no presenten daños.

### 3 Destinatarios de estas instrucciones

Estas instrucciones de uso van dirigidas al usuario del generador.

### 4 Volumen de entrega

Denominación	Número de artículo
Generador TEC40D	9102900201
Control remoto	
Conducto de gases de escape, 2 m	
Material de fijación para el silenciador	
Cable de conexión	
AG 102, relé de conmutación para establecer una conexión de prioridad	
Material de fijación	
Instrucciones de montaje	
Instrucciones de uso	

### 5 Accesorios

Disponibles como accesorios (no incluidos en el volumen de entrega):

Nombre de las piezas	Número de artículo
PR 25044, juego de juntas externas	9102900174

## 6 Uso adecuado

El generador TEC40D (n.º de art. 9102900201) está concebido para su uso en autocaravanas, caravanas y vehículos de uso comercial.

El generador **no** se ha concebido para ser instalado en embarcaciones.

El generador genera una tensión alterna senoidal de 230 V/50 Hz a la que se pueden conectar consumidores con una carga total constante de 3500 W. La calidad de la corriente también resulta adecuada para consumidores sensibles (por ejemplo, PCs).

El generador puede cargar una batería de 12 V.

## 7 Descripción técnica

El generador consta de los siguientes elementos principales (fig. **1**, página 3):

- Alternador (**1**)
- Motor endotérmico (**2**)
- Panel de conexión (**3**)
- Inversor (**4**)
- Control remoto (**5**)

El motor endotérmico (**2**) pone en rotación el alternador (**1**), que está unido a él de forma fija, y este último crea una tensión alterna.

El inversor integrado (**4**) convierte esta tensión alterna en una tensión estable de 230 V y 50 Hz, que queda disponible en los bornes del inversor. En el inversor está ubicada la clavija para el cable de conexión al control remoto (**5**).

En el panel de conexiones (**3**) situado detrás de la puerta se encuentran los bornes de conexión y el interruptor principal.

El generador lleva integrado un cargador para recargar la batería conectada.

## Elementos de mando en la caja de conexión

La caja de conexión se encuentra en el generador, detrás de la cubierta.

Pos. en fig. <b>2</b> , página 3	Descripción	
1	Interruptor principal	Pone en modo standby el generador y lo apaga.
2	Terminal de conexión polo positivo de la batería	Conexión al polo positivo de la batería.
3	Fusible principal	Salta cuando hay sobretensión en el inversor.
4	Fusible del cargador de batería	Salta cuando hay sobretensión en el cargador de batería.

## Elementos de mando del control remoto

El control remoto está dispuesto en el interior del vehículo.

Pos. en fig. <b>3</b> , página 4	Descripción	
1	Pantalla	Indica mensajes de estado.
2	Interruptor On/Off “ $\cup$ ”	Enciende y apaga el panel de control cuando el interruptor principal está en “1” o en “1”. Detiene el generador en caso de emergencia.
3	Pulsador verde “START/STOP”	Pone en marcha/detiene el funcionamiento del generador cuando el panel de control está encendido y el interruptor principal está en “1” o “1”.
4	Indicación de combustible	Se ilumina cuando el nivel de combustible diésel está en la reserva.
5	Indicación de aceite	Se ilumina cuando el nivel de aceite del motor es demasiado bajo.

**Indicaciones de display**

Pos. en fig. 3, página 4	Descripción	
6	Tensión alterna	Tensión de salida actual
7	Potencia constante	Potencia actual de los consumidores conectados
8	Horas de funcionamiento	Tiempo que el generador está en funcionamiento
9	Tensión continua	Tensión de la batería
10	Mensajes	Mensaje de estado del generador (véase capítulo “Mensajes en pantalla” en la página 83)

## 8 Manejo del generador



**¡AVISO!**

En las primeras 50 horas de funcionamiento (fase inicial) no utilice el generador a más del 70 % de su potencia constante máxima.



**NOTA**

Tras la fase inicial, no utilice el generador a más de aproximadamente el 75 % de su potencia constante máxima. Así podrá prolongar la vida útil del generador y maximizar su rendimiento.



## 8.1 Indicaciones básicas para el manejo



### ¡ATENCIÓN! ¡Peligro de sufrir lesiones!

No introduzca el dedo ni ningún objeto en las toberas de aire ni en la rejilla de aspiración.

Tenga en cuenta las siguientes indicaciones básicas:

- Cuando utilice el generador a bajas temperaturas ( $< 0\text{ }^{\circ}\text{C}$ ) deberá usar diésel de invierno o añadir un porcentaje de gasolina al diésel de acuerdo a la tabla siguiente:

Temperatura ambiente	Diésel de verano	Diésel de invierno
-10 a $0\text{ }^{\circ}\text{C}$	20 %	–
-15 a $-10\text{ }^{\circ}\text{C}$	30 %	–
-20 a $-15\text{ }^{\circ}\text{C}$	30 %	20 %

- Controle el nivel de aceite antes de cada uso (capítulo “Controlar el nivel de aceite” en la página 85).
- Con el tiempo, también cargas reducidas provocan una parada del generador.
- Tras el uso, deje el generador unos minutos en funcionamiento sin consumidores antes de pararlo.
- Las frenadas bruscas, los acelerones y los trayectos en curva pueden causar problemas en el sistema de bombeo del generador y provocar que se apague imprevistamente.
- Si no se utiliza el generador durante bastante tiempo, póngalo en marcha por lo menos cada 10 días durante un mínimo de 15 minutos.

## 8.2 Encender o apagar el generador

Con el interruptor principal (fig. **2** 1, página 3) de la caja de conexión, se pone en standby y se apaga el generador.

### 8.3 Encender y apagar el panel de control

Con el interruptor On/Off (fig. **3** 2, página 4) del panel de control se enciende y apaga dicho panel.

- ▶ Encienda el panel de control con el interruptor On/Off.
- ✓ La pantalla muestra: *GEN OFF*.  
La pantalla se apaga automáticamente tras 5 minutos si durante este tiempo no se ha accionado el pulsador de arranque.  
Pulsando dicho pulsador se puede volver a encender la pantalla.
- ✓ Ahora se puede poner en marcha el generador.

### 8.4 Poner en marcha el generador

El generador solo se puede poner en marcha si está en standby y si el panel de control está encendido.



#### **NOTA**

Cuando el generador todavía está caliente solo es necesario apretar brevemente el pulsador de arranque para ponerlo en marcha, y si está frío, hay que apretarlo durante más tiempo.

- ▶ Ponga en marcha el generador con el pulsador verde “START/STOP” (fig. **3** 3, página 4).

### 8.5 Parar el generador

- ▶ Pare el generador con el interruptor On/Off (fig. **3** 2, página 3).  
Si el generador no se para: apáguelo con el interruptor principal (fig. **2** 1, página 3).

## 8.6 Mensajes en pantalla

Indicación en pantalla Descripción	Comportamiento del generador	Medidas
<b>LOW BATTERY</b> La tensión de batería ha descendido por debajo del valor mínimo necesario para intentar arrancar (9 V).	El generador no arranca.	Cargue la batería.
<b>CHECK OIL LEVEL</b>	El generador sigue en marcha.	Rellenar aceite (véase capítulo "Controlar el nivel de aceite" en la página 85).
<b>OIL CHANGE</b> El contador de horas de funcionamiento ha alcanzado el valor establecido para cambiar el aceite del motor.	El generador sigue en marcha.	Cambie el aceite (véase capítulo "Cambiar el aceite" en la página 89). Para restablecer la alarma, ponga en marcha el generador accionando el pulsador "INICIO/PARADA" y manteniéndolo pulsado.
<b>NO FUEL</b> El combustible diésel del depósito está en la reserva.	El generador sigue en marcha.	Llenar el depósito.
<b>OIL TEMP PRESS</b> Falta aceite del motor. La temperatura del motor es demasiado alta.	El generador se para.	Rellenar aceite (véase capítulo "Controlar el nivel de aceite" en la página 85). Deje enfriar el generador durante unos minutos y seguidamente vuelva a ponerlo en marcha.
<b>GENERATOR ALERT!</b> Mensaje general de alarma	El generador se para.	Compruebe el sistema con ayuda de la tabla de averías, causas y soluciones. En caso de que no sea posible eliminar el problema, diríjase a la filial del fabricante en su país (direcciones al dorso).
<b>OVERLOAD!</b> Los consumidores generan una sobrecarga en la salida.	El inversor se desactiva, por lo que deja de suministrarse tensión y el motor sigue en rotación hasta que se para.	Disminuya la carga y vuelva a poner en marcha el generador.

Indicación en pantalla Descripción	Comportamiento del generador	Medidas
<p><i>SHORT CIRCUIT</i></p> <p>Los consumidores provocan un cortocircuito en la salida.</p>	<p>El inversor se desactiva, por lo que deja de suministrarse tensión y el motor sigue en rotación hasta que se para.</p>	<p>Controle el estado de los consumidores conectados y seguidamente vuelva a poner en marcha el generador.</p>
<p><i>OVER TEMPERATURE</i></p> <p>La temperatura del inversor es demasiado alta.</p>	<p>El inversor se desactiva, por lo que deja de suministrarse tensión, pero el motor sigue en rotación para enfriar el generador.</p>	<p>Deje enfriar el generador durante unos minutos y seguidamente vuelva a ponerlo en marcha.</p>
<p><i>LOW POWER ENGINE</i></p> <p>Caída de la tensión de alimentación del inversor.</p>	<p>El generador se para.</p>	<p>Disminuya la carga y vuelva a poner en marcha el generador.</p>
<p><i>GEN CAL</i></p> <p>Mensaje que aparece al poner en marcha el generador; muestra la fase de calibración que antecede a cada puesta en marcha. El generador todavía suministra tensión.</p>	<p>El generador gira, pero no genera tensión.</p>	<p>Espere un momento.</p>
<p><i>GEN WAIT</i></p> <p>Mensaje que aparece en el intermedio entre dos intentos de arranque.</p>	<p>El generador está apagado.</p>	<p>Espere hasta que desaparezca el mensaje y seguidamente vuelva a intentar nuevamente el arranque.</p>
<p><i>GEN ON</i></p> <p>Funcionamiento normal del generador</p>	<p>Funcionamiento normal</p>	<p>–</p>
<p><i>GEN OFF</i></p>	<p>El generador está en standby y se puede encender.</p>	<p>–</p>

## 8.7 Controlar el nivel de aceite



### ¡ATENCIÓN!

El aceite caliente puede provocar quemaduras.  
Para comprobar el nivel de aceite el generador debe estar apagado.



### NOTA

El generador debe estar en horizontal.

Controle el nivel de aceite antes de cada uso. Para ello proceda de la siguiente manera:

- Abra la tapa del generador.
- Apague el generador con el interruptor principal (fig. 4 1, página 4).
- Desconecte la conexión al polo positivo de la batería de alimentación.
- Extraiga la varilla de medición (fig. 4 2, página 4) del tubo de llenado (fig. 4 3, página 4).
- Limpie la varilla de medición (fig. 4 2, página 4) con un paño.
- Introduzca la varilla de medición (fig. 4 2, página 4) totalmente en el tubo de llenado (fig. 4 3, página 4).
- Extraiga la varilla de medición (fig. 4 2, página 4) del tubo de llenado.
- Controle si el nivel de aceite está entre la marca (nivel de llenado máximo) y la punta de la varilla de medición.  
De no ser así, rellene aceite.
- Introduzca la varilla de medición (fig. 4 2, página 4) totalmente en el tubo de llenado (fig. 4 3, página 4).
- Conecte el generador con el polo positivo de la batería de alimentación.
- Con el interruptor principal (fig. 4 1, página 4) ponga el generador en standby.
- Cierre la tapa del generador.

## 9 Limpiar el generador



### ***¡AVISO! Peligro de ocasionar daños materiales***

- No limpie el generador con un limpiador de alta presión. La entrada de agua podría dañar el generador.
- Para la limpieza no utilice ningún objeto afilado o duro ni detergentes, ya que ello podría dañar el generador.
- Para limpiar el generador utilice únicamente agua con un detergente suave. No utilice bajo ningún concepto gasolina, diésel o disolventes.

- Limpie de vez en cuando la carcasa del generador con un paño húmedo.
- Limpie con regularidad las aberturas de ventilación del generador. Al hacerlo preste atención a no dañar las láminas del generador.

# 10 Mantenimiento del generador

## 10.1 Tabla de mantenimiento



### ¡ADVERTENCIA!

Encargue todos los trabajos de mantenimiento a personal especializado que conozca las normativas pertinentes. Los trabajos de mantenimiento que se realicen incorrectamente pueden dar lugar a situaciones de considerable peligro.



### NOTA

Encargue la realización de los siguientes trabajos de mantenimiento en los intervalos indicados o tras el número de horas de funcionamiento indicadas, dependiendo de qué se produzca antes.

Intervalo	Comprobación/mantenimiento
El primer mes o después de 50 horas	<ul style="list-style-type: none"> <li>➤ Haga cambiar el aceite.</li> </ul>
Cada 250 horas	<ul style="list-style-type: none"> <li>➤ Haga cambiar el aceite.</li> <li>➤ Haga limpiar el sistema de refrigeración del motor.</li> <li>➤ Haga inspeccionar los tornillos y la holgura de las válvulas. Si fuera necesario, haga ajustar la holgura de las válvulas y apretar los tornillos.</li> <li>➤ Haga inspeccionar el filtro de aire (capítulo “Mantenimiento del filtro de aire” en la página 90).</li> </ul>
Cada 500 horas	<ul style="list-style-type: none"> <li>➤ Haga cambiar el filtro de aire y el filtro de combustible.</li> </ul>
Una vez al año o cada 1000 horas	<ul style="list-style-type: none"> <li>➤ Haga limpiar el filtro de aceite.</li> </ul> <p>Lo siguiente debe realizarse por parte de un distribuidor autorizado de HATZ o por técnicos que hayan recibido formación de Dometic:</p> <ul style="list-style-type: none"> <li>➤ Encargue el mantenimiento de la bomba de inyección.</li> <li>➤ Encargue el mantenimiento del amortiguador de vibraciones.</li> </ul>

## 10.2 Preparativos para los trabajos de mantenimiento



### ¡ATENCIÓN!

Para todos los trabajos de mantenimiento tenga en cuenta:

- El generador no debe estar en funcionamiento.
- Todas las piezas deben estar frías.

- Abra la tapa del generador.
- Apague el generador con el interruptor principal (fig. **2** 1, página 3).
- Desconecte la conexión al polo positivo de la batería de alimentación.

Para los trabajos de mantenimiento se puede extraer el generador:



### ¡ADVERTENCIA!

La placa soporte con el generador es muy pesada (>90 kg) y se puede caer de la carcasa si se extrae excesivamente.

- Suelte el tornillo de fijación (fig. **5** 1, página 5).
- Extraiga de la carcasa la placa soporte (fig. **5** 2, página 5) junto con el generador.

## 10.3 Finalizar los trabajos de mantenimiento

- Conecte el generador con el polo positivo de la batería de alimentación.
- Con el interruptor principal (fig. **2** 1, página 3) ponga el generador en standby.
- Cierre la tapa del generador.



## 10.4 Cambiar el aceite



### ¡ATENCIÓN!

El aceite caliente puede provocar quemaduras.



### ¡AVISO!

El aceite usado debe eliminarlo o reciclarlo una empresa especializada. Respete a este efecto las leyes relativas a la protección del medio ambiente que rijan en el país en el que se encuentre.

Puede utilizar los siguientes aceites:

- Aceite con las propiedades:
  - CCMC D4, D5, PD
  - API CD, CE, CF, CG
  - SHPD
- Aceite de las clases SAE:
  - 5W-30
  - 5W-40
  - 100W
  - 100W-30 (recomendado)
  - 10W-30
  - 15W-30
  - 30
  - 40
- Aceite con viscosidad de gama única:  
Seleccione la viscosidad adecuada en función de la temperatura media del lugar.

Para cambiar el aceite (fig. **6**, página 5):

- Deje que el generador se caliente funcionando entre tres y cinco minutos para que el aceite se haga más líquido y salga así más rápidamente y por completo.
- Extraiga la varilla de medición (1) del tubo de llenado (2).
- Coloque un recipiente adecuado (4) cerca de la manguera de aceite (5).
- Afloje la abrazadera (3).
- Quite la manguera de aceite (5) y drene el aceite en el recipiente (4).
- Coloque la manguera de aceite (5) en la pieza de conexión.

- Fije la manguera de aceite (5) con la abrazadera (3).
- Llene aceite limpio por el tubo de llenado (2).  
La cantidad máxima de aceite es de 1,1 l.  
El nivel de aceite debe estar entre las marcas de máximo y mínimo de la varilla de medición (1).
- Introduzca la varilla de medición (1) totalmente en el tubo de llenado (2).

## 10.5 Cambiar el filtro de combustible



### **¡AVISO!**

Elimine el combustible que salga conforme a la normativa vigente para protección del medio ambiente en el país en el que se encuentre.

Hay dos filtros de combustible (fig. 7 2 y 4, página 6) en el generador.

- Coloque un recipiente adecuado debajo del filtro de combustible (fig. 7 2 y 4, página 6).
- Afloje las abrazaderas de fijación (fig. 7 1 y 3, página 6).
- Extraiga el filtro de combustible y coloque uno nuevo.
- Vuelva a apretar las abrazaderas de fijación.

## 10.6 Mantenimiento del filtro de aire



### **¡ADVERTENCIA! ¡Peligro de explosión!**

Para limpiar el filtro de aire no utilice aceite diésel ni disolventes con un bajo punto de evaporación, pues podrían inflamarse o explotar.



### **¡ATENCIÓN!**

Utilice una mascarilla antigás y gafas de protección.



### **¡AVISO!**

No ponga nunca el motor en funcionamiento sin filtro de aire, pues ello provocaría un desgaste prematuro del motor.

**NOTA**

Si el filtro de aire está sucio, disminuye la corriente de aire hacia el motor. Para que el motor funcione bien es necesario controlar a intervalos regulares el estado del filtro. Contrólolo con más frecuencia si el generador se utiliza en un entorno especialmente polvoriento.

Controle y cambie el filtro de aire de la siguiente manera (fig. **8**, página 6):

- Retire la tapa de fijación (1) y la tapa del filtro (2).
- Retire la tuerca estriada (3).
- Extraiga el filtro de aire (4).
- Controle detalladamente el estado del filtro de aire (4):  
Ilumine el filtro de aire con una lámpara y compruebe si la membrana de papel está dañada.  
Cambie el filtro de aire:
  - cuando esté dañado
  - cuando esté sucio a causa de impurezas húmedas o aceitosas
- Limpie el filtro de aire no dañado para eliminar impurezas secas.  
Limpie el filtro de aire con aire comprimido seco (no emplee toberas de aire comprimido con una presión superior a entre 2 y 2,5 bares): Sople el aire comprimido desde adentro hacia fuera hasta eliminar por completo el polvo.
- Limpie la tapa del filtro (2).
- Coloque el filtro de aire (4).
- Fije la tuerca estriada (3).
- Vuelva a colocar la tapa del filtro (2).
- Fije la tapa del filtro (2) con la tapa de fijación (1).

# 11 Solución de averías

Avería	Causa	Solución
Al presionar el pulsador On/Off no se enciende el panel de control.	Batería de arranque descargada.	➤ Cargue la batería de arranque.
	Cable de corriente interrumpido o enchufe extraído.	➤ Diríjase a un taller autorizado.
	Ha saltado el fusible (en caso de haberlo).	
Al presionar el pulsador de arranque no gira el motor de arranque.	Batería de arranque descargada.	➤ Cargue la batería de arranque.
	El interruptor principal está en "0".	➤ Coloque el interruptor principal en la posición "I" o "1".
	Placa dañada.	➤ Diríjase a un taller autorizado.
El motor de arranque gira, pero el generador no se pone en marcha.	El motor de arranque no recibe alimentación de corriente.	
	Válvulas de inyección sucias. Motor dañado.	➤ Diríjase a un taller autorizado.
El generador tiende a apagarse.	Demasiado aceite en el motor.	➤ Deje salir el aceite (ver capítulo "Cambiar el aceite" en la página 89).
	La carga es demasiado alta.	➤ Desconecte los consumidores.
	Aspiración de aire obstruida.	➤ Haga inspeccionar el filtro de aire ( ver capítulo "Mantenimiento del filtro de aire" en la página 90).
	Inversor dañado.	➤ Diríjase a un taller autorizado.
	Fallo en la alimentación de corriente de la bomba de inyección.	
	Válvulas de inyección sucias.	
El generador se ha puesto en marcha, pero no genera tensión.	Inversor dañado.	➤ Diríjase a un taller autorizado.
	Las conexiones eléctricas no están bien conectadas.	➤ Compruebe las conexiones eléctricas.

Avería	Causa	Solución
La tensión generada es inestable.	La carga es demasiado alta.	➤ Desconecte los consumidores.
	Aspiración de aire obstruida.	➤ Haga inspeccionar el filtro de aire ( ver capítulo "Mantenimiento del filtro de aire" en la página 90).
	Inversor dañado.	➤ Diríjase a un taller autorizado.
	Fallo en la alimentación de corriente de la bomba de inyección.	
	Válvulas de inyección sucias.	
El cargador de batería no suministra tensión.	El fusible del cargador de batería está dañado.	➤ Cambie el fusible.

## 12 Garantía legal

Rige el plazo de garantía legal. Si el producto presenta algún defecto, diríjase a nuestro socio de servicio en su país (ver direcciones en el dorso de este manual).

Nuestros especialistas estarán encantados de poder ayudarle y de poder orientarle en los siguientes pasos a dar respecto a la garantía.

## 13 Gestión de residuos

- Deseche el material de embalaje en el contenedor de reciclaje correspondiente.



Cuando vaya a desechar definitivamente el producto, infórmese en el centro de reciclaje más cercano o en un comercio especializado sobre las normas pertinentes de eliminación de materiales.



### ¡Proteja el medio ambiente!

Las baterías y pilas no son basura doméstica.

Entregue las baterías defectuosas o las pilas vacías en un establecimiento o deposítelas en un contenedor especializado.

# 14 Datos técnicos

	<b>Dometic TEC40D</b>
N.º de art.:	9102900201
Tensión nominal de salida:	230 V~ / 50 Hz
Potencia constante máxima (a 25 °C a la altura del nivel del mar):	3500 W
Tensión de salida del cargador de batería:	12 V==
Corriente máx. de salida del cargador de batería:	60 A
Rango de temperatura de funcionamiento:	de -15 °C a +50 °C
Combustible:	combustible diésel conforme a EN 590
Motor:	Hatz (1 B 30V)
Consumo:	máx. 1,4 l/h
Potencia del motor:	4,7 kW (6,4 PS)
Velocidad máx.:	3300 rpm
Aceite del motor:	1,1 l
Nivel de ruido:	89 dB(A)
Nivel de ruido a 7 m:	64 dB(A)
Dimensiones:	véase fig. <b>9</b> , página 7
Peso:	96,5 kg
Homologación/certificados:	 

**Prima di effettuare la messa in funzione, leggere accuratamente questo manuale di istruzioni, conservarlo e, nel caso in cui il prodotto venga consegnato ad un altro utente, consegnare anche le relative istruzioni.**

## Indice

1	Spiegazione dei simboli . . . . .	96
2	Istruzioni per la sicurezza . . . . .	96
3	Destinatari del presente manuale di istruzioni . . . . .	99
4	Dotazione . . . . .	99
5	Accessori . . . . .	99
6	Conformità d'uso . . . . .	100
7	Descrizione tecnica . . . . .	100
8	Impiego del generatore . . . . .	102
9	Pulizia del generatore . . . . .	108
10	Manutenzione del generatore . . . . .	109
11	Risoluzione dei guasti . . . . .	114
12	Garanzia . . . . .	115
13	Smaltimento . . . . .	115
14	Specifiche tecniche . . . . .	116

# 1 Spiegazione dei simboli

**AVVERTENZA!**

**Avviso di sicurezza:** la mancata osservanza di questo avviso può causare ferite gravi anche mortali.

**ATTENZIONE!**

**Avviso di sicurezza:** la mancata osservanza di questo avviso può essere causa di lesioni.

**AVVISO!**

La mancata osservanza di questa nota può causare danni materiali e compromettere il funzionamento del prodotto.

**NOTA**

Informazioni integranti relative all'impiego del prodotto.

➤ **Modalità di intervento:** questo simbolo indica all'utente che è necessario un intervento. Le modalità di intervento necessarie saranno descritte passo dopo passo.

✓ Questo simbolo descrive il risultato di un intervento.

**Fig. 1 5, pagina 3:** questi dati si riferiscono ad un elemento in una figura, in questo caso alla “posizione 5 nella figura 1 a pagina 3”.

## 2 Istruzioni per la sicurezza

Il produttore non si assume nessuna responsabilità per danni nei seguenti casi:

- danni al prodotto dovuti a influenze meccaniche o a sovratensioni
- modifiche al prodotto senza esplicita autorizzazione del produttore
- impiego per altri fini rispetto a quelli descritti nel manuale di istruzioni

Non si assume nessuna responsabilità per danni indiretti in particolare anche per quei danni indiretti derivanti da un mancato funzionamento del generatore.



Durante l'uso di dispositivi elettrici attenersi alle misure di sicurezza descritte qui di seguito per proteggersi da:

- scosse elettriche
- pericolo di incendio
- lesioni

## 2.1 Sicurezza di base



### PERICOLO!

- **Non** mettere mai in esercizio il dispositivo in luoghi in cui sussiste il pericolo di esplosione.



### AVVERTENZA!

- **Gli elettrodomestici non sono giocattoli!**

I bambini non sono in grado di valutare correttamente i pericoli connessi con gli apparecchi elettrici. Non permettere l'uso di apparecchi elettrici ai bambini se non in presenza di adulti.

- Il presente apparecchio può essere usato da bambini a partire dagli 8 anni e da utenti con ridotte capacità fisiche, sensoriali o mentali o inesperti e/o con conoscenze insufficienti, se non sono lasciati soli o se sono stati istruiti sull'utilizzo sicuro dell'apparecchio e hanno compreso i pericoli che possono insorgere.
- Utilizzare l'apparecchio soltanto in conformità all'uso previsto.
- Non eseguire modifiche o trasformazioni all'apparecchio!
- I lavori di installazione, manutenzione e riparazione del generatore devono essere effettuati solo da personale qualificato informato sui pericoli connessi all'uso dei generatori e a conoscenza delle relative prescrizioni. Le riparazioni effettuate in modo scorretto potrebbero causare rischi enormi. In caso di riparazioni rivolgersi alla filiale del produttore nel vostro Paese (gli indirizzi si trovano sul retro del presente manuale).
- Durante le operazioni di manutenzione, segnalare la zona adiacente al dispositivo e impedire l'accesso alle zone la cui attivazione può comportare dei pericoli.
- I gas di scarico contengono monossido di carbonio, un gas inodore e incolore altamente tossico. Non respirare i gas di scarico. Non far funzionare il motore del generatore in un garage chiuso o in un ambiente senza finestre.

**ATTENZIONE!**

- Il generatore deve essere impiegato solo con sportello di ispezione chiuso.
- Rimuovere tutti i materiali facilmente infiammabili quali benzina, vernici, solventi ecc. che si trovano nelle vicinanze del generatore.
- Assicurarsi che nessun pezzo del generatore che diventa caldo venga a contatto con materiali facilmente infiammabili.
- Rifornire il generatore solo se è spento e si trova in un ambiente ben aerato. Il diesel è altamente infiammabile e potrebbe esplodere.
- Non rifornire il generatore con motore del veicolo acceso se il serbatoio si trova nelle vicinanze del motore del veicolo.
- Pulire bene eventuali tracce di diesel versato e attendere prima di accendere il motore finché i vapori si siano dispersi.
- Non toccare il generatore e i cavi con mani umide.
- Sostituire i fusibili solo con altri con le stesse specifiche tecniche.

**AVVISO!**

- Non riempire troppo il serbatoio. Nel collo del serbatoio non deve trovarsi carburante. Controllare se il coperchio è chiuso correttamente.

## 2.2 Sicurezza durante il funzionamento dell'apparecchio

**AVVERTENZA!**

- Interrompere sempre l'alimentazione elettrica qualora si operi sull'apparecchio.

**AVVISO!**

- Azionare l'apparecchio solamente se l'alloggiamento e i cavi non sono danneggiati.

### 3 Destinatari del presente manuale di istruzioni

Le presenti istruzioni per l'uso si rivolgono agli utenti del generatore.

### 4 Dotazione

Denominazione	Numero articolo
Generatore TEC40D	9102900201
Telecomando	
Tubazione di scarico, 2 m	
Materiale di fissaggio per il silenziatore	
Cavo di allacciamento	
AG 102, relè di commutazione per la creazione di un circuito prioritario	
Materiale di fissaggio	
Istruzioni di montaggio	
Manuale di istruzioni	

### 5 Accessori

Disponibili come accessori (non in dotazione):

Denominazione pezzi	Numero articolo
PR 25044, mastice esterno	9102900174

## 6 Conformità d'uso

Il generatore TEC40D (n. art. 9102900201) è ideato per l'impiego in caravan, camper e in veicoli per uso commerciale.

Il generatore **non** è adatto per l'installazione in natanti.

Il generatore produce una pura tensione alternata sinusoidale di 230 V/50 Hz alla quale possono essere collegate utenze con un carico di durata complessiva di 3500 W. La qualità della corrente è adatta anche per utenze sensibili (ad es. PC).

Il generatore può caricare una batteria da 12 V.

## 7 Descrizione tecnica

Il generatore è costituito dai seguenti elementi principali (fig. **1**, pagina 3):

- Alternatore (1)
- Motore endotermico (2)
- Pannello di collegamento (3)
- Inverter (4)
- Telecomando (5)

Il motore endotermico (2) mette in movimento l'alternatore ad esso collegato in modo fisso (1) che a sua volta produce tensione alternata.

L'inverter integrato (4) trasforma questa tensione alternata in una tensione stabile da 230 V e 50 Hz che viene messa a disposizione dei morsetti dell'inverter. Sull'inverter è presente la presa per il cavo di collegamento a cui è applicato il controllo remoto (5).

Al pannello di collegamento (3) dietro la porta, sono applicati i morsetti e l'interruttore principale.

Il generatore possiede un caricabatterie integrato che serve a caricare la batteria collegata.


## Elementi di comando sulla scatola di collegamento

La scatola di collegamento si trova sul generatore dietro la calotta di copertura.

Pos. in fig. <b>2</b> , pagina 3	Descrizione	
1	Interruttore principale	Accende il generatore nella modalità stand-by o lo spegne.
2	Morsetto polo positivo batteria	Collegamento al polo positivo della batteria.
3	Fusibile principale	Scatta in caso di sovratensione dell'inverter
4	Fusibile del caricatore per batterie	Scatta in caso di sovratensione del caricabatterie

## Elementi di comando sul telecomando

Il telecomando si trova nell'abitacolo del veicolo.

Pos. in fig. <b>3</b> , pagina 4	Descrizione	
1	Display	Indica i messaggi di stato.
2	Interruttore On/Off “  ”	Accende e spegne il pannello di controllo se l'interruttore principale è posizionato su “I” o “1”. Arresta il generatore in caso di emergenza.
3	Pulsante “START/STOP”	Avvia/arresta il generatore se il pannello di controllo è acceso e l'interruttore principale è posizionato su “I” o “1”.
4	Spia di livello del carburante	È accesa se il gasolio è in riserva.
5	Indicazione dell'olio	È accesa se il livello dell'olio nel motore è basso.

## Indicazioni del display

Pos. in fig. 3, pagina 4	Descrizione	
6	Tensione alternata	Tensione di uscita attuale
7	Potenza continua	Potenza attuale delle utenze collegate
8	Ore di esercizio	Tempo in cui il generatore è in esercizio
9	Tensione continua	Tensione della batteria
10	Messaggi	Per il messaggio di stato del generatore (vedi capitolo "Messaggi sul display" a pagina 105)

## 8 Impiego del generatore



### **AVVISO!**

Nelle prime 50 ore di esercizio (fase di rodaggio), non sollecitare il generatore oltre il 70 % della potenza continua massima.



### **NOTA**

Terminata la fase di rodaggio, sollecitare il generatore al massimo con un carico di ca. il 75 % della massima potenza continua. In questo modo è possibile prolungare la durata utile del generatore e ottimizzarne la potenza.

## 8.1 Indicazioni fondamentali per l'impiego



### ATTENZIONE! Rischio di lesioni!

Non inserire le dita o eventuali oggetti nelle bocchette dell'aria o nella griglia di aspirazione.

Osservare le seguenti indicazioni fondamentali.

- Se si mette in esercizio il generatore a basse temperature ( $< 0\text{ }^{\circ}\text{C}$ ) usare diesel invernale, oppure aggiungere al diesel una piccola quantità di benzina, come indicato nella seguente tabella:

Temperatura ambiente	Diesel estivo	Diesel invernale
da $-10$ a $0\text{ }^{\circ}\text{C}$	20 %	–
da $-15$ a $-10\text{ }^{\circ}\text{C}$	30 %	–
da $-20$ a $-15\text{ }^{\circ}\text{C}$	30 %	20 %

- Prima di ogni utilizzo controllare il livello dell'olio (capitolo "Controllo del livello dell'olio" a pagina 107).
- Anche sovraccarichi modesti col passare del tempo causano l'arresto del generatore.
- Dopo l'uso, lasciare il generatore in esercizio alcuni minuti senza utenza prima di arrestarlo.
- Frenate brusche, accelerazioni e curve del veicolo possono provocare problemi nel sistema di pompaggio del generatore e uno spegnimento indesiderato.
- Se il generatore non viene utilizzato per un periodo prolungato, avviarlo almeno ogni 10 giorni e farlo funzionare almeno per 15 minuti.

## 8.2 Accensione nella modalità stand-by o spegnimento del generatore

Con l'interruttore principale (fig. **2** 1, pagina 3) posto sulla scatola di collegamento il generatore viene acceso nella modalità stand-by o viene spento.

### 8.3 Accensione e spegnimento del pannello di controllo

Con l'interruttore On/Off (fig. **3** 2, pagina 4) del pannello di controllo, quest'ultimo viene acceso e spento.

► Accendere il pannello di controllo con l'interruttore On/Off.

✓ Il display indica: *GEM OFF*.

Il display si spegne automaticamente dopo 5 min. se in questo lasso di tempo il pulsante di avviamento non è stato premuto.

Se si preme il pulsante di avviamento il display si accende di nuovo.

✓ Il generatore ora può essere avviato.

### 8.4 Avvio del generatore

È possibile avviare il generatore solo se è attivato nella modalità stand-by e se il pannello di controllo è acceso.



#### **NOTA**

Se il generatore è ancora caldo, per avviarlo, premere il pulsante di avviamento solo brevemente, se il generatore è freddo premerlo più a lungo.

► Avviare il generatore con il pulsante verde "START/STOP" (fig. **3** 3, pagina 4).

### 8.5 Arresto del generatore

► Arrestare il generatore con l'interruttore di accensione e spegnimento (fig. **3** 2, pagina 3).

Se il generatore non si arresta: spegnerlo con l'interruttore principale (fig. **2** 1, pagina 3).



## 8.6 Messaggi sul display

Messaggio sul display Descrizione	Comportamento del generatore	Misure
<p><b>LOW BATTERY</b></p> <p>La tensione della batteria è scesa al di sotto del valore minimo per l'esecuzione dei tentativi di avviamento (9 V).</p>	Il generatore non si avvia.	Caricare la batteria.
<p><b>CHECK OIL LEVEL</b></p>	Il generatore continua a funzionare.	Rabboccare l'olio (vedi capitolo "Controllo del livello dell'olio" a pagina 107).
<p><b>OIL CHANGE</b></p> <p>Il numero delle ore di esercizio ha raggiunto il valore prescritto per il cambio dell'olio motore.</p>	Il generatore continua a funzionare.	<p>Eeguire il cambio dell'olio (vedi capitolo "Cambio dell'olio" a pagina 111).</p> <p>Per azzerare l'allarme, avviare il generatore: tenere premuto il pulsante "START/STOP".</p>
<p><b>NO FUEL</b></p> <p>Il gasolio nel serbatoio è in riserva.</p>	Il generatore continua a funzionare.	Fare rifornimento.
<p><b>OIL TEMP PRESS</b></p> <p>Manca olio motore. Temperatura del motore troppo alta.</p>	Il generatore si arresta.	<p>Per rabboccare l'olio (vedi capitolo "Controllo del livello dell'olio" a pagina 107).</p> <p>Fare raffreddare il generatore, attendere qualche minuto, quindi riavviare il generatore.</p>
<p><b>GENERATOR ALERT!</b></p> <p>Messaggio di allarme generale</p>	Il generatore si arresta.	<p>Verificare il sistema con l'ausilio della tabella Disturbi, Cause e Rimedi.</p> <p>Se il problema persiste, rivolgersi alla filiale del produttore del proprio Paese (gli indirizzi si trovano sul retro del presente manuale).</p>
<p><b>OVERLOAD!</b></p> <p>Le utenze generano un sovraccarico sull'uscita.</p>	L'inverter si spegne, di conseguenza non viene più ceduta tensione, ma il motore continua a funzionare finché non si spegne.	Ridurre il carico collegato e riavviare il generatore.

<b>Messaggio sul display</b> <b>Descrizione</b>	<b>Comportamento del generatore</b>	<b>Misure</b>
<i>SHORT CIRCUIT</i> Le utenze creano un cortocircuito sull'uscita.	L'inverter si spegne, di conseguenza non viene più ceduta tensione, ma il motore continua a girare finché non si spegne.	Controllare lo stato delle utenze collegate, quindi riavviare il generatore.
<i>OVER TEMPERATURE</i> Temperatura dell'inverter troppo alta.	L'inverter si spegne, di conseguenza non viene più ceduta tensione, ma il motore continua a girare per raffreddare il generatore.	Fare raffreddare il generatore, attendere qualche minuto, quindi riavviare il generatore.
<i>LOW POWER ENGINE</i> Diminuzione della tensione di alimentazione dell'inverter.	Il generatore si arresta.	Ridurre il carico collegato e riavviare il generatore.
<i>GEM CAL</i> Messaggio che appare all'avvio del generatore; indica la fase di calibratura che precede ogni avvio. Il generatore non cede ancora tensione.	Il generatore gira, ma non genera tensione.	Attendere un momento.
<i>GEM WAIT</i> Messaggio che appare nella pausa fra un tentativo di avvio e l'altro.	Il generatore è spento.	Attendere, finché il messaggio è scomparso, quindi eseguire un nuovo tentativo di accensione.
<i>GEM ON</i> Funzionamento normale del generatore.	Funzionamento normale	–
<i>GEM OFF</i>	Il generatore si trova in stand-by e può essere avviato.	–

## 8.7 Controllo del livello dell'olio



### ATTENZIONE!

L'olio caldo può causare ustioni.  
Controllare il livello dell'olio solo a generatore spento.



### NOTA

Il generatore deve essere in posizione orizzontale.

Prima di ogni impiego, controllare il livello dell'olio. A tal fine procedere come segue.

- Aprire lo sportello del generatore.
- Rendere inattivo il generatore mediante l'interruttore principale (fig. **4** 1, pagina 4).
- Staccare il collegamento del polo positivo della batteria di alimentazione.
- Estrarre l'asta di livello (fig. **4** 2, pagina 4) dal bocchettone di riempimento (fig. **4** 3, pagina 4).
- Pulire l'asta di livello (fig. **4** 2, pagina 4) con un panno.
- Inserire l'asta di livello (fig. **4** 2, pagina 4) completamente nel bocchettone di riempimento (fig. **4** 3, pagina 4).
- Estrarre l'asta di livello (fig. **4** 2, pagina 4) dal bocchettone di riempimento.
- Controllare se il livello dell'olio si trova fra la tacca (livello di riempimento massimo) e la punta dell'asta di livello.  
In caso contrario, rabboccare l'olio.
- Inserire completamente l'asta di livello (fig. **4** 2, pagina 4) nel bocchettone di riempimento (fig. **4** 3, pagina 4).
- Collegare il generatore al polo positivo della batteria di alimentazione.
- Accendere il generatore nella modalità stand-by con l'interruttore principale (fig. **4** 1, pagina 4).
- Chiudere lo sportello del generatore.

## 9 Pulizia del generatore



### **AVVISO! Pericolo di danni!**

- Non pulire il generatore con un'idropulitrice. Infiltrazioni di acqua possono danneggiare il generatore.
- Per la pulizia non utilizzare oggetti appuntiti, duri o detersivi aggressivi, poiché possono danneggiare il generatore.
- Per la pulizia del generatore, utilizzare solo acqua con un detersivo delicato. Non utilizzare in nessun caso benzina, diesel o solventi.

- Pulire l'alloggiamento del generatore di tanto in tanto con un panno umido.
- Rimuovere regolarmente la sporcizia dalle aperture di aerazione del generatore. Durante questa operazione, prestare attenzione a non danneggiare le lamelle del generatore.

# 10 Manutenzione del generatore

## 10.1 Tabella di manutenzione



### AVVERTENZA!

Fare eseguire tutti i lavori di manutenzione da personale specializzato, informato sulle relative prescrizioni. I lavori di manutenzione non eseguiti correttamente possono causare enormi rischi.



### NOTA

Fare eseguire i seguenti lavori di manutenzione negli intervalli indicati o dopo il numero indicato di ore di servizio a seconda del caso che si presenta prima.

Intervallo	Controllo/manutenzione
Nel primo mese oppure dopo 50 ore	<ul style="list-style-type: none"> <li>➤ Fare cambiare l'olio.</li> </ul>
Ogni 250 ore	<ul style="list-style-type: none"> <li>➤ Fare cambiare l'olio.</li> <li>➤ Fare pulire il sistema di raffreddamento del motore.</li> <li>➤ Fare controllare il gioco delle valvole e le viti. Eventualmente regolare il gioco delle viti e stringerle.</li> <li>➤ Controllare il filtro dell'aria (capitolo "Manutenzione del filtro dell'aria" a pagina 112).</li> </ul>
Ogni 500 ore	<ul style="list-style-type: none"> <li>➤ Fare sostituire il filtro dell'aria e il filtro del carburante.</li> </ul>
Annualmente o ogni 1000 ore	<ul style="list-style-type: none"> <li>➤ Fare pulire il filtro dell'olio.</li> </ul> <p>Quanto segue deve essere eseguito da rivenditori HATZ autorizzati o da personale specializzato formato da Dometic:</p> <ul style="list-style-type: none"> <li>➤ Sottoporre a manutenzione la pompa di iniezione.</li> <li>➤ Sottoporre l'ammortizzatore di vibrazioni a manutenzione.</li> </ul>

## 10.2 Predisposizione dei lavori di manutenzione



### ATTENZIONE!

Durante lo svolgimento di tutti i lavori di manutenzione osservare quanto segue:

- il generatore non deve essere in funzione.
- Tutti i pezzi devono essere raffreddati.

- Aprire lo sportello del generatore.
- Rendere inattivo il generatore mediante l'interruttore principale (fig. **2** 1, pagina 3).
- Staccare il collegamento del polo positivo della batteria di alimentazione.

Per i lavori di manutenzione è possibile estrarre il generatore:



### AVVERTENZA!

La piastra di supporto con il generatore è molto pesante (> 90 kg) e può cadere dall'alloggiamento se viene estratta troppo.

- Allentare la vite di fissaggio (fig. **5** 1, pagina 5).
- Estrarre la piastra di supporto (fig. **5** 2, pagina 5) con il generatore dall'alloggiamento.

## 10.3 Conclusione dei lavori di manutenzione

- Collegare il generatore al polo positivo della batteria di alimentazione.
- Accendere il generatore nella modalità stand-by con l'interruttore principale (fig. **2** 1, pagina 3).
- Chiudere lo sportello del generatore.

## 10.4 Cambio dell'olio



### ATTENZIONE!

L'olio caldo può causare ustioni.



### AVVISO!

Per la salvaguardia dell'ambiente, consegnare sempre l'olio usato a ditte specializzate nello smaltimento o il recupero e osservare le leggi del Paese interessato.

È possibile impiegare i seguenti oli:

- Olio con proprietà:
  - CCMC D4, D5, PD
  - API CD, CE, CF, CG
  - SHPD
- Olio delle classi SAE:
  - 5W-30
  - 5W-40
  - 100W
  - 100W-30 (consigliato)
  - 10W-30
  - 15W-30
  - 30
  - 40
- Olio con viscosità adatta a una zona  
Scegliere la viscosità adatta in base alla temperatura locale media.

Cambiare l'olio nel modo seguente (fig. **6**, pagina 5):

- Fare riscaldare il motore dai tre ai cinque minuti in modo che l'olio diventi più fluido e defluisca più rapidamente e completamente.
- Estrarre l'asta di livello (1) dal bocchettone di riempimento (2).
- Posizionare un contenitore adatto (4) vicino al tubo flessibile dell'olio (5).
- Allentare la fascetta (3).
- Estrarre il tubo flessibile dell'olio (5) e scaricare l'olio nel contenitore (4).
- Inserire il tubo flessibile dell'olio (5) al relativo raccordo.
- Fissare il tubo flessibile dell'olio (5) con la fascetta (3).
- Aggiungere olio pulito nel bocchettone di riempimento (2).

La quantità massima di olio è 1,1 l.

Il livello dell'olio si deve trovare fra la tacca del livello di riempimento massimo e quella di riempimento minimo dell'asta di livello (1).

- ▶ Inserire completamente l'asta di livello (1) nel bocchettone di riempimento (2).

## 10.5 Sostituzione del filtro del carburante



### **AVVISO!**

Smaltire il carburante fuoriuscito in conformità alle leggi del rispettivo Paese per proteggere l'ambiente.

Nel generatore sono presenti due filtri del carburante (fig. 7 2 e 4, pagina 6).

- ▶ Mettere un contenitore adatto sotto il filtro del carburante (fig. 7 2 e 4, pagina 6).
- ▶ Allentare le guide di fissaggio (fig. 7 1 e 3, pagina 6).
- ▶ Togliere il filtro del carburante e inserirne uno nuovo.
- ▶ Serrare nuovamente le guide di fissaggio.

## 10.6 Manutenzione del filtro dell'aria



### **AVVERTENZA! Pericolo di esplosione!**

Per la pulizia del filtro dell'aria, non impiegare gasolio o solventi con un punto di evaporazione basso. Queste sostanze possono infiammarsi o esplodere.



### **ATTENZIONE!**

Indossare una maschera respiratoria protettiva e occhiali protettivi.



### **AVVISO!**

Non fare mai funzionare il motore senza filtro dell'aria, altrimenti il motore si usura rapidamente.



**NOTA**

Se il filtro dell'aria è sporco, il flusso d'aria verso il motore viene ridotto. Per un buon funzionamento del motore, è necessario controllare regolarmente lo stato del filtro. Controllarlo più spesso quando il generatore viene impiegato in un ambiente particolarmente polveroso.

Controllare e sostituire il filtro dell'aria nel modo seguente (fig. **8**, pagina 6):

- Rimuovere il coperchio con fissaggio (1) e la copertura del filtro (2).
- Rimuovere il dado zigrinato (3).
- Rimuovere il filtro dell'aria (4).
- Controllare accuratamente lo stato del filtro dell'aria (4).

Illuminare con la luce all'interno del filtro dell'aria e controllare se la membrana di carta è danneggiata.

Sostituire il filtro dell'aria:

- quando è danneggiato
- se contiene impurità di umidità o olio

- Pulire il filtro dell'aria intatto da corpi estranei.

Pulire il filtro dell'aria con aria compressa asciutta (non utilizzare ugelli ad aria compressa con una pressione superiore a 2 – 2,5 bar): Soffiare aria compressa dall'interno all'esterno, finché è stata rimossa tutta la polvere.

- Pulire la copertura del filtro (2).
- Inserire il filtro dell'aria (4).
- Fissare il dado zigrinato (3).
- Applicare di nuovo la copertura del filtro (2).
- Fissare la copertura del filtro (2) con il coperchio con fissaggio (1).

# 11 Risoluzione dei guasti

Disturbo	Causa	Soluzione
Premendo l'interruttore On/Off il pannello di controllo non si accende.	Batteria di avviamento scarica.	➤ Caricare la batteria di avviamento.
	Cavo di corrente interrotto o spina estratta.	➤ Rivolgersi a un'officina specializzata e autorizzata.
	Il fusibile (se presente) è scattato.	
Premendo il pulsante di avviamento, il motorino di avviamento non gira.	Batteria di avviamento scarica.	➤ Caricare la batteria di avviamento.
	L'interruttore principale si trova su "0".	➤ Posizionare l'interruttore principale su "I" o "1".
	Scheda danneggiata. Motorino d'avviamento non alimentato con corrente.	➤ Rivolgersi a un'officina specializzata e autorizzata.
Il motorino d'avviamento gira, ma il generatore non si avvia.	Iniettori sporchi.	➤ Rivolgersi a un'officina specializzata e autorizzata.
	Motore difettoso.	
Il generatore tende a spegnersi.	Quantità eccessiva di olio nel motore.	➤ Scaricare l'olio (vedi capitolo "Cambio dell'olio" a pagina 111).
	Carico eccessivo.	➤ Spegnerne l'utenza.
	Aspirazione dell'aria ostruita.	➤ Fare controllare il filtro dell'aria (vedi capitolo "Manutenzione del filtro dell'aria" a pagina 112).
	Inverter danneggiato.	➤ Rivolgersi a un'officina specializzata e autorizzata.
	Guasto nell'alimentazione elettrica della pompa a iniezione.	
	Iniettori sporchi.	
Il generatore si è avviato, ma non genera tensione.	Inverter danneggiato.	➤ Rivolgersi a un'officina specializzata e autorizzata.
	I collegamenti elettrici non sono collegati correttamente.	➤ Controllare i collegamenti elettrici.

Disturbo	Causa	Soluzione
La tensione generata è instabile.	Carico eccessivo.	➤ Spegnerne l'utenza.
	Aspirazione dell'aria ostruita.	➤ Fare controllare il filtro dell'aria (vedi capitolo "Manutenzione del filtro dell'aria" a pagina 112).
	Inverter danneggiato.	➤ Rivolgersi a un'officina specializzata e autorizzata.
	Guasto nell'alimentazione elettrica della pompa a iniezione.	
	Iniettori sporchi.	
Il caricabatterie non genera tensione.	Fusibile del caricabatterie danneggiato.	➤ Sostituire il fusibile

## 12 Garanzia

Vale il termine di garanzia previsto dalla legge. Qualora il prodotto risultasse difettoso, La preghiamo di contattare il Service Partner del Suo Paese (l'indirizzo si trova sul retro del manuale).

I nostri specialisti sono sempre pronti ad aiutarvi e a concordare con Voi l'ulteriore disbrigo delle condizioni garanzia.

## 13 Smaltimento

- Raccogliere il materiale di imballaggio possibilmente negli appositi contenitori di riciclaggio.



Quando il prodotto viene messo fuori servizio definitivamente, informarsi al centro di riciclaggio più vicino, oppure presso il proprio rivenditore specializzato, sulle prescrizioni adeguate concernenti lo smaltimento.



### Proteggete l'ambiente!

Gli accumulatori e le batterie non devono essere raccolti insieme ai rifiuti domestici.

Consegnare gli accumulatori difettosi o le batterie usate al rivenditore o presso un centro di raccolta.

## 14 Specifiche tecniche

	<b>Dometic TEC40D</b>
N. art.:	9102900201
Tensione nominale in uscita:	230 V~ / 50 Hz
Potenza continua max (a 25 °C sul livello del mare):	3500 W
Tensione di uscita del caricabatterie:	12 V==
Corrente di uscita max del caricabatterie:	60 A
Intervallo della temperatura di esercizio:	da -15 °C a +50 °C
Carburante:	gasolio secondo EN 590
Motore:	Hatz (1 B 30V)
Consumo:	max 1,4 l/h
Potenza motore:	4,7 kW (6,4 CV)
Numero di giri massimo:	3300 giri/min.
Olio motore:	1,1 l
Livello sonoro:	89 dB(A)
Livello sonoro a una distanza di 7 m:	64 dB(A)
Dimensioni:	vedi fig. <b>9</b> , pagina 7
Peso:	96,5 kg
Certificati di controllo:	

Lees deze handleiding voor de ingebruikneming zorgvuldig door en bewaar hem. Geef de handleiding bij het doorgeven van het product aan de gebruiker.

## Inhoudsopgave

1	Verklaring van de symbolen . . . . .	117
2	Veiligheidsinstructies . . . . .	118
3	Doelgroep van deze handleiding . . . . .	121
4	Omvang van de levering . . . . .	121
5	Toebehoren . . . . .	121
6	Gebruik volgens de voorschriften . . . . .	122
7	Technische beschrijving . . . . .	122
8	Generator bedienen . . . . .	124
9	Generator reinigen . . . . .	130
10	Generator onderhouden . . . . .	131
11	Storingen verhelpen . . . . .	136
12	Garantie . . . . .	137
13	Afvoer . . . . .	137
14	Technische gegevens . . . . .	138

## 1 Verklaring van de symbolen



### **WAARSCHUWING!**

**Veiligheidsaanwijzing:** Het niet naleven kan leiden tot overlijden of ernstig letsel.



### **VOORZICHTIG!**

**Veiligheidsaanwijzing:** Het niet naleven kan leiden tot letsel.

**LET OP!**

Het niet naleven ervan kan leiden tot materiële schade en de werking van het product beperken.

**INSTRUCTIE**

Aanvullende informatie voor het bedienen van het product.

► **Handeling:** dit symbool geeft aan dat u iets moet doen. De vereiste handelingen worden stap voor stap beschreven.

✓ Dit symbool beschrijft het resultaat van een handeling.

**Afb. 1 5, pagina 3:** deze aanduiding wijst u op een element in een afbeelding, in dit voorbeeld op „positie 5 in afbeelding 1 op pagina 3”.

## 2 Veiligheidsinstructies

De fabrikant kan in de volgende gevallen niet aansprakelijk worden gesteld voor schade:

- beschadiging van het product door mechanische invloeden en overspanningen
- veranderingen aan het product zonder uitdrukkelijke toestemming van de fabrikant
- gebruik voor andere dan de in de handleiding beschreven toepassingen

Hij kan in het bijzonder niet aansprakelijk gesteld worden voor alle gevolgschade, met name ook niet voor gevolgschade die kan ontstaan door het uitvallen van de generator.

Neem onderstaande fundamentele veiligheidsmaatregelen in acht bij het gebruik van elektrische toestellen ter bescherming tegen:

- elektrische schokken
- brandgevaar
- verwondingen

## 2.1 Algemene veiligheid



### GEVAAR!

- Gebruik het toestel **niet** in ruimtes waarin explosiegevaar bestaat.



### WAARSCHUWING!

- **Elektrische toestellen zijn geen speelgoed!**  
Kinderen kunnen de gevaren die van elektrische toestellen uitgaan niet goed inschatten. Laat kinderen niet zonder toezicht elektrische toestellen gebruiken.
- Dit toestel kan door kinderen vanaf 8 jaar en ouder evenals door personen met verminderde fysieke, zintuiglijke of geestelijke vermogens of tekortschietende ervaring en/of kennis gebruikt worden, als ze worden begeleid of hun is uitgelegd hoe ze het toestel veilig kunnen gebruiken. Ook dienen ze inzicht te hebben in de gevaren die het gebruik van het toestel met zich meebrengt.
- Gebruik het toestel alleen volgens de voorschriften.
- Voer geen wijzigingen of verbouwingen aan het toestel uit!
- De installatie, het onderhoud en reparaties aan de generator mogen alleen door vakmensen worden uitgevoerd die bekend zijn met de gevaren bij het gebruik van generatoren alsmede de betreffende voorschriften. Door ondeskundige reparaties kunnen grote gevaren ontstaan. Neem bij reparaties contact op met de vestiging van de fabrikant in uw land (adressen aan de achterzijde).
- Kenmerk bij onderhoudswerkzaamheden het bereik rond het toestel en blokkeer de toegang tot bereiken ervan waarin activering tot gevaren leidt.
- De uitlaatgassen bevatten koolmonoxide, een uiterst giftig, reukloos en kleurloos gas. Adem de uitlaatgassen niet in. Laat de motor van de generator niet draaien in een afgesloten garage of in een ruimte zonder vensters.

**VOORZICHTIG!**

- De generator mag uitsluitend met gesloten inspectieklep worden gebruikt.
- Verwijder alle brandbare materialen, zoals benzine, lak, oplosmiddelen, enz. uit de buurt van de generator.
- Let op dat er geen hete onderdelen van de generator in contact komen met licht ontvlambare materialen.
- Tank de generator alleen vol in uitgeschakelde toestand en in een goed geventileerde ruimte. Diesel is zeer ontvlambaar en kan exploderen.
- Tank de generator niet vol als de voertuigmotor aan is en de tank zich in de buurt van de voertuigmotor bevindt.
- Als diesel gemorst wordt, veeg deze dan goed weg en wacht met het inschakelen van de motor tot de dampen zijn weggetrokken.
- Raak de generator en de leidingen niet met vochtige handen aan.
- Vervang de zekeringen of thermoschakelaars alleen door zekeringen en thermoschakelaars met dezelfde technische gegevens.

**LET OP!**

- Tank de tank niet te vol. In de hals van de tank mag zich geen brandstof bevinden. Controleer of het deksel goed is gesloten.

## 2.2 Veiligheid bij het gebruik van het toestel

**WAARSCHUWING!**

- Onderbreek bij werkzaamheden aan het toestel altijd de stroomtoevoer.

**LET OP!**

- Gebruik het toestel alleen als de behuizing en de leidingen onbeschadigd zijn.



### 3 Doelgroep van deze handleiding

Deze gebruiksaanwijzing is bestemd voor de gebruiker van de generator.

### 4 Omvang van de levering

Omschrijving	Artikelnummer
Generator TEC40D	9102900201
Afstandbediening	
Uitlaatgasleiding, 2 m	
Bevestigingsmateriaal voor de geluiddemper	
Aansluitkabel	
AG 102, omschakelrelais voor het realiseren van een voorrangschakelaar	
Bevestigingsmateriaal	
Montagehandleiding	
Gebruiksaanwijzing	

### 5 Toebehoren

Als toebehoren verkrijgbaar (niet bij de levering inbegrepen):

Onderdeelnaam	Artikelnummer
PR 25044, externe afdichtingsset	9102900174

## 6 Gebruik volgens de voorschriften

De generator TEC40D (artikelnr. 9102900201) is geconstrueerd voor gebruik in caravans, campers en commercieel gebruikte voertuigen.

De generator is **niet** geschikt voor installatie in watervoertuigen.

De generator produceert een zuivere sinus-wisselspanning van 230 V/50 Hz, waarop de verbruikers met een totale continuïlast van 3500 W kunnen worden aangesloten. De stroomkwaliteit is ook voor gevoelige verbruikers (bijvoorbeeld pc's) geschikt.

De generator kan een 12-V-accu opladen.

## 7 Technische beschrijving

De generator bestaat uit volgende hoofdelementen (afb. **1**, pagina 3):

- Wisselstroomgenerator (1)
- Endotherme motor (2)
- Aansluitpaneel (3)
- Inverter (4)
- Afstandbediening (5)

De endotherme motor (2) zet de vast verbonden wisselstroomgenerator (1) in rotatie; hierdoor produceert deze een wisselspanning.

De geïntegreerde inverter (4) vormt deze wisselspanning om in een stabiele spanning van 230 V en 50 Hz die aan de klemmen van de inverter beschikbaar is. Op de inverter is de bus voor de aansluitkabel op de afstandsbediening (5) aangebracht.

Op het aansluitpaneel (3) achter de deur zijn de aansluitklemmen en de hoofdschakelaar aangebracht.

De generator bezit een geïntegreerde acculader voor het opladen van de aangesloten accu.


## Bedieningselementen van de aansluitbox

De aansluitbox bevindt zich op de generator achter de motorkap.

Pos. in afb. <b>2</b> , pagina 3	Beschrijving	
1	Hoofdschakelaar	Schakelt de generator in of uit.
2	Aansluitklem accupluspool	Aansluiting op de pluspool van de batterij.
3	Hoofdzekering	Schakelt bij oververhitting van de inverter
4	Zekering acculader	Schakelt bij overspanning van de acculader

## Bedieningselementen van de afstandsbediening

De afstandsbediening is aangebracht in de binnenzijde van het voertuig.

Pos. in afb. <b>3</b> , pagina 4	Beschrijving	
1	Display	Geeft statusmeldingen weer.
2	Aan/uit-schakelaar „  ”	Schakelt het bedieningspaneel in en uit als de hoofdschakelaar op „I” resp. „1” staat. Zet de generator in noodgevallen stil.
3	Groene knop „START/STOP”	Start/stopt de generator als het bedieningspaneel ingeschakeld is en de hoofdschakelaar op „I” resp. „1” staat.
4	Brandstofweergave	Brandt, als de diesel op reserve staat.
5	Olielampje	Brandt als het oliepeil in de motor te laag is.

## Displayindicaties

Pos. in afb. 3, pagina 4	Beschrijving	
6	Wisselspanning	Actuele uitgangsspanning
7	Continu vermogen	Actueel vermogen van de aangesloten verbruiker
8	Bedrijfsuren	Tijd die de generator in bedrijf is
9	Gelijkspanning	Accuspanning
10	Meldingen	Statusmelding van de generator (zie hoofdstuk „Displaymeldingen” op pagina 127)

## 8 Generator bedienen



### **LET OP!**

Belast de generator in de eerste 50 bedrijfsuren (inloofase) met niet meer dan 70 % van het maximale continue vermogen.



### **INSTRUCTIE**

Belast de generator na de inloofase met maximaal 75 % van het maximale continue vermogen.  
Zo kunt u de levensduur van de generator verlengen en het vermogen ervan optimaliseren.

## 8.1 Algemene instructies voor bediening



### VOORZICHTIG! Verwondingsgevaar!

Steek geen vingers of voorwerpen in de luchtverdelers of het aanzuigrooster.

Neem de volgende fundamentele instructies in acht:

- Als u de generator bij lage temperaturen ( $< 0\text{ °C}$ ) gebruikt, moet u winterdiesel gebruiken of aan de dieselbrandstof een percentage benzine volgens volgende tabel toevoegen:

Omgevings-temperatuur	Zomerdiesel	Winterdiesel
-10 tot $0\text{ °C}$	20 %	–
-15 tot $-10\text{ °C}$	30 %	–
-20 tot $-15\text{ °C}$	30 %	20 %

- Controleer voor ieder gebruik het oliepeil (hoofdstuk „Oliepeil controleren” op pagina 129).
- Ook geringe overbelastingen leiden er op den duur toe, dat de generator stopt.
- Laat de generator na het gebruik enkele minuten zonder verbruiker in bedrijf voordat u hem uitschakelt.
- Krachtig afremmen, optrekken en bochtenwerk van het voertuig kunnen problemen in het pompsysteem van de generator veroorzaken en een ongewenst uitschakelen tot gevolg hebben.
- Als de generator langere tijd niet wordt gebruikt, dient u hem minstens om de 10 dagen te starten en minimaal 15 minuten te laten lopen.

## 8.2 Generator in- of uitschakelen

Met de hoofdschakelaar (afb. **2** 1, pagina 3) van de aansluitbox wordt de generator in- of uitgeschakeld.

### 8.3 Bedieningspaneel in- en uitschakelen

Met de aan/uit-schakelaar (afb. **3** 2, pagina 4) op het bedieningspaneel wordt het bedieningspaneel in- en uitgeschakeld.

- Schakel het bedieningspaneel met de aan/uit-schakelaar in.
- ✓ In het display verschijnt: *GEM OFF*.  
Als binnen 5 min de startknop niet is ingedrukt, schakelt het display automatisch uit.  
Door op de startknop te drukken, kunt u het display weer inschakelen.
- ✓ De generator kan nu worden gestart.

### 8.4 Generator starten

De generator kan alleen worden gestart als hij ingeschakeld is en als het bedieningspaneel ingeschakeld is.



#### **INSTRUCTIE**

Als de generator nog warm is, drukt u kort op de startknop om de generator in te schakelen, als de generator koud is, drukt u langer op de startknop.

- Start de generator met de groene knop „START/STOP” (afb. **3** 3, pagina 4).

### 8.5 Generator stoppen

- Stop de generator met de aan/uit-schakelaar (afb. **3** 2, pagina 3).  
Als de generator niet stopt: schakel hem uit met de hoofdschakelaar (afb. **2** 1, pagina 3).

## 8.6 Displaymeldingen

Displaymelding Beschrijving	Gedrag van de generator	Maatregelen
<i>LOW BATTERY</i> De accuspanning is onder de minimale waarde voor het uitvoeren van startpogingen gedaald (9 V).	De generator springt niet aan.	Accu opladen.
<i>CHECK OIL LEVEL</i>	De generator blijft lopen.	Olie bijvullen (zie hoofdstuk „Oliepeil controleren” op pagina 129).
<i>OIL CHANGE</i> De teller van de bedrijfsuren heeft de ingestelde waarde voor het verversen van de olie bereikt.	De generator blijft lopen.	Olie verversen (zie hoofdstuk „Olie verversen” op pagina 133). Om het alarm terug te zetten de generator starten: druk op de toets „START/STOP” en houd deze ingedrukt.
<i>NO FUEL</i> De dieselbrandstof in de tank staat op reserve.	De generator blijft lopen.	Tanken.
<i>OIL TEMP PRESS</i> Motorolie ontbreekt. Motortemperatuur te hoog.	De generator stopt.	Olie bijvullen (zie hoofdstuk „Oliepeil controleren” op pagina 129).  De generator laten afkoelen, een paar minuten wachten, daarna de generator opnieuw starten.
<i>GENERATOR ALERT!</i> Algemeen alarm	De generator stopt.	Het systeem controleren met behulp van de tabel „Storingen, oorzaken en oplossingen”. Als het probleem blijft bestaan, neemt u contact op met de vestiging van de fabrikant in uw land (adressen aan de achterzijde).
<i>OVERLOAD!</i> De verbruikers veroorzaken overbelasting aan de uitgang.	De inverter schakelt uit. Daardoor wordt er geen spanning meer afgegeven, maar de motor blijft draaien tot hij uitgaat.	De aangesloten last verminderen en de generator opnieuw starten.

Displaymelding Beschrijving	Gedrag van de generator	Maatregelen
<i>SHORT CIRCUIT</i> De verbruikers veroorzaken kortsluiting aan de uitgang.	De inverter schakelt uit. Daardoor wordt er geen spanning meer afgegeven, maar de motor blijft draaien tot hij uitgaat.	De toestand van de aangesloten verbruikers controleren, daarna de generator opnieuw starten.
<i>OVER TEMPERATURE</i> Invertertemperatuur te hoog.	De inverter schakelt uit. Daardoor wordt er geen spanning meer afgegeven, maar de motor blijft draaien om de generator te koelen.	De generator laten afkoelen, een paar minuten wachten, daarna de generator opnieuw starten.
<i>LOW POWER ENGINE</i> Voedingsspanning van de inverter valt weg.	De generator stopt.	De aangesloten last verminderen en de generator opnieuw starten.
<i>GEN CAL</i> Melding die verschijnt zodra de generator start. De melding geeft de kalibreerfase aan die aan iedere start voorafgaat. De generator geeft nog geen spanning af.	De generator draait, maar wekt geen spanning op.	Een ogenblik wachten.
<i>GEN WAIT</i> Melding die in de pauze tussen twee startpogingen verschijnt.	De generator is uitgeschakeld.	Wachten tot de melding verdwijnt, daarna opnieuw proberen de generator te starten.
<i>GEN ON</i> Normaal bedrijf van de generator.	Normaal bedrijf	–
<i>GEN OFF</i>	De generator bevindt zich in stand-by en kan worden gestart.	–



## 8.7 Oliepeil controleren



### **VOORZICHTIG!**

Hete olie kan brandwonden veroorzaken.  
Controleer het oliepeil alleen als de generator uitgeschakeld is.



### **INSTRUCTIE**

De generator moet horizontaal staan.

Controleer voor ieder gebruik het oliepeil. Ga hiervoor als volgt te werk:

- Open de klep van de generator.
- Schakel de generator uit met de hoofdschakelaar (afb. **4** 1, pagina 4).
- Maak de verbinding met de pluspool van de accu los.
- Trek de peilstok (afb. **4** 2, pagina 4) uit de vulopening (afb. **4** 3, pagina 4).
- Reinig de peilstok (afb. **4** 2, pagina 4) met een doek.
- Steek de peilstok (afb. **4** 2, pagina 4) in de vulopening (afb. **4** 3, pagina 4).
- Trek de peilstok (afb. **4** 2, pagina 4) uit de vulopening.
- Controleer of het oliepeil tussen de inkeping (maximaal vulpeil) en de top van de peilstok ligt.  
Is dit niet het geval, vul de olie dan bij.
- Steek de peilstok (afb. **4** 2, pagina 4) in de vulopening (afb. **4** 3, pagina 4).
- Verbind de generator met de pluspool van de accu.
- Schakel de generator in met de hoofdschakelaar (afb. **4** 1, pagina 4).
- Sluit de klep van de generator.

## 9 Generator reinigen



### ***LET OP! Gevaar voor beschadiging!***

- Reinig de generator niet met een hogedrukreiniger. Binnen-dringend water kan de generator beschadigen.
  - Gebruik geen scherpe of harde voorwerpen of reinigingsmid-delen bij de reiniging, omdat de generator hierdoor bescha-digd kan raken.
  - Gebruik voor de reiniging van de generator alleen water met een mild reinigingsmiddel. Gebruik in geen geval benzine, die-sel of oplosmiddelen.
- Reinig de behuizing van de generator af en toe met een vochtige doek.
- Verwijder regelmatig verontreinigingen uit de ventilatieopeningen van de generator. Let op dat u hierbij de lamellen van de generator niet bescha-digt.

# 10 Generator onderhouden

## 10.1 Onderhoudstabel



### **WAARSCHUWING!**

Laat alle onderhoudswerkzaamheden uitsluitend door vakmensen uitvoeren die bekend zijn met de betreffende voorschriften. Door ondeskundige onderhoudswerkzaamheden kunnen grote gevaren ontstaan.



### **INSTRUCTIE**

Laat de volgende onderhoudswerkzaamheden in de aangegeven afstanden of na het aangegeven aantal bedrijfsuren uitvoeren, afhankelijk van wat eerder het geval is.

Interval	Controle/onderhoud
In de eerste maand of na 50 uur	<ul style="list-style-type: none"> <li>➤ Laat de olie verversen.</li> </ul>
Om de 250 uur	<ul style="list-style-type: none"> <li>➤ Laat de olie verversen.</li> <li>➤ Laat het koelsysteem van de motor reinigen.</li> <li>➤ Klepspeling en schroeven laten controleren. Eventueel klepspeling instellen en schroeven laten aandraaien.</li> <li>➤ Laat het luchtfilter controleren (hoofdstuk „Luchtfilter onderhouden” op pagina 135).</li> </ul>
Om de 500 uur	<ul style="list-style-type: none"> <li>➤ Laat het luchtfilter en het brandstoffilter vervangen.</li> </ul>
Jaarlijks of om de 1000 uur	<ul style="list-style-type: none"> <li>➤ Laat het oliefilter reinigen.</li> </ul> <p>Het volgende moet door een door HATZ geautoriseerde handelaar of een door Dometic geschoolde specialist worden uitgevoerd:</p> <ul style="list-style-type: none"> <li>➤ Laat de inspuitpomp onderhouden.</li> <li>➤ Laat de vibratiedemper onderhouden.</li> </ul>

## 10.2 Onderhoudswerkzaamheden voorbereiden



### VOORZICHTIG!

Let bij alle werkzaamheden op:

- De generator mag niet in bedrijf zijn.
- Alle onderdelen moeten afgekoeld zijn.

- Open de klep van de generator.
- Schakel de generator uit met de hoofdschakelaar (afb. **2** 1, pagina 3).
- Maak de verbinding met de pluspool van de accu los.

Voor onderhoudswerkzaamheden kunt u de generator naar buiten trekken:



### WAARSCHUWING!

De draagplaat met generator is erg zwaar (> 90 kg) en kan uit de behuizing vallen als u hem te ver naar buiten trekt.

- Maak de bevestigingsschroef los (afb. **5** 1, pagina 5).
- Trek de draagplaat (afb. **5** 2, pagina 5) met de generator uit de behuizing.

## 10.3 Onderhoudswerkzaamheden afsluiten

- Verbind de generator met de pluspool van de accu.
- Schakel de generator in met de hoofdschakelaar (afb. **2** 1, pagina 3).
- Sluit de klep van de generator.

## 10.4 Olie verversen

**VOORZICHTIG!**

Hete olie kan brandwonden veroorzaken.

**LET OP!**

Geef de afgewerkte olie aan een speciaal bedrijf voor de afvoer of terugwinning, en neem de wetten met betrekking tot de bescherming van het milieu in het betreffende land in acht.

U kunt de volgende olie gebruiken:

- Olie met de eigenschappen:
  - CCMC D4, D5, PD
  - API CD, CE, CF, CG
  - SHPD
- Olie van de klassen SAE:
  - 5W-30
  - 5W-40
  - 100W
  - 100W-30 (aanbevolen)
  - 10W-30
  - 15W-30
  - 30
  - 40
- Olie met enkelbereik-viscositeit:

Kies de geschikte viscositeit afhankelijk van de gemiddelde plaatselijke temperatuur.

Zo ververst u de olie (afb. **6**, pagina 5):

- Laat de generator drie tot vijf minuten warmdraaien, zodat de olie vloeibaarder wordt en snel en volledig wegstroomt.
- Trek de peilstok (1) uit de vulopening (2).
- Plaats een geschikt reservoir (4) bij de olieslang (5).
- Maak de klem (3) los.
- Neem de olieslang (5) weg en laat de olie in het reservoir (4) lopen.
- Plaats de olieslang (5) op het slangaansluitstuk.
- Bevestig de olieslang (5) met de klem (3).
- Giet verse olie in de vulopening (2).  
De maximale oliehoeveelheid bedraagt 1,1 l.  
Het oliepeil moet tussen de maximum en minimum inkerving van de peilstok (1) liggen.
- Steek de peilstok (1) helemaal in de vulopening (2).

## 10.5 Brandstoffilter vervangen



### **LET OP!**

Voer de uittredende brandstof milieuvriendelijk af volgens de wettelijke voorschriften van het land.

Er zijn twee brandstoffilters (afb. **7** 2 en 4, pagina 6) in de generator voorhanden.

- Plaats een geschikte bak onder het brandstoffilter (afb. **7** 2 en 4, pagina 6).
- Maak de bevestigingsklemmen (afb. **7** 1 en 3, pagina 6) los.
- Verwijder het brandstoffilter en plaats een nieuw filter.
- Draai de bevestigingsklemmen weer vast.

## 10.6 LuchtfILTER onderhouden



### **WAARSCHUWING! Explosiegevaar!**

Gebruik geen dieselolie of oplosmiddel met laag verdampingspunt voor de reiniging van de luchtfILTER. Deze kunnen ontsteken of exploderen.



### **VOORZICHTIG!**

Draag een ademmasker en een veiligheidsbril.



### **LET OP!**

Laat de motor nooit zonder luchtfILTER draaien. Anders slijt de motor snel.



### **INSTRUCTIE**

Als het luchtfILTER vervuild is, wordt de luchtstroom naar de motor gereduceerd. Om de motor goed te laten functioneren, moet de filtertoestand regelmatig worden gecontroleerd. Controleer het filter vaker als de generator in een zeer stoffige omgeving wordt gebruikt.

Controleer en vervang het luchtfILTER als volgt (afb. **8**, pagina 6):

- Verwijder de bevestigingskap (1) en de filterafdekking (2).
- Verwijder de kartelmoer (3).
- Verwijder het luchtfILTER (4).
- Controleer de toestand van het luchtfILTER (4) zorgvuldig:  
Schijn met een lamp in het luchtfILTER en controleer of het papiermembraan beschadigd is.  
Vervang het luchtfILTER:
  - als het beschadigd is
  - als het door vochtige of oliehoudende verontreiniging vervuild is.
- Verwijder droog vuil van het onbeschadigde luchtfILTER.  
Reinig het luchtfILTER met droge perslucht (gebruik geen persluchtmondstukken met een druk hoger dan 2 tot 2,5 bar): Blaas de perslucht van binnen naar buiten tot het stof volledig is verwijderd.
- Reinig de filterafdekking (2).
- Plaats het luchtfILTER (4).

- Bevestig de kartelmoer (3).
- Breng de filterafdekking (2) weer aan.
- Bevestig de filterafdekking (2) met de bevestigingskap (1).

## 11 Storingen verhelpen

Storing	Oorzaak	Oplossing
Bij het indrukken van de aan/uitschakelaar gaat het bedieningspaneel niet aan.	Accu leeg.	➤ Laad de accu.
	Stroomkabel onderbroken of stekker uitgetrokken.	➤ Neem contact op met een geautoriseerde werkplaats.
	Zekering (indien voorhanden) is gesprongen.	
Bij het indrukken van de startknop draait de starter niet.	Accu leeg.	➤ Laad de accu.
	De hoofdschakelaar staat op „0”.	➤ Zet de hoofdschakelaar op „I” resp. „1”.
	Printplaat beschadigd.	➤ Neem contact op met een geautoriseerde werkplaats.
	Starter krijgt geen stroom.	
De starter draait, maar de generator springt niet aan.	Inspuitkleppen vervuild.	➤ Neem contact op met een geautoriseerde werkplaats.
	Motor defect.	
De generator valt bijna uit.	Te veel olie in de motor.	➤ Tap olie af (zie hoofdstuk „Olie verversen” op pagina 133).
	Te hoge last.	➤ Schakel verbruikers uit.
	Luchtaanzuiging verstopt.	➤ Laat het luchtfilter controleren (zie hoofdstuk „Luchtfilter onderhouden” op pagina 135).
	Inverter beschadigd.	➤ Neem contact op met een geautoriseerde werkplaats.
	Defect in de stroomvoorziening van de inspuitspomp.	
	Inspuitkleppen vervuild.	
De generator is aangesprongen, maar wekt geen spanning op.	Inverter beschadigd.	➤ Neem contact op met een geautoriseerde werkplaats.
	De elektrische verbindingen zijn niet correct aangesloten.	➤ Controleer de elektrische verbindingen.



Storing	Oorzaak	Oplossing
De opgewekte spanning is instabiel.	Te hoge last.	➤ Schakel verbruikers uit.
	Luchtaanzuiging verstopt.	➤ Laat het luchtfilter controleren (zie hoofdstuk „Luchtfilter onderhouden” op pagina 135).
	Inverter beschadigd.	➤ Neem contact op met een geautoriseerde werkplaats.
	Defect in de stroomvoorziening van de inspuitspomp.	
	Inspuitkleppen vervuild.	
De acculader levert geen spanning.	Zekering van de acculader beschadigd.	➤ Zekering vervangen.

## 12 Garantie

De wettelijke garantieperiode is van toepassing. Indien het product defect is, dient u contact op te nemen met een servicepartner in uw land (zie achterzijde van de gebruiksaanwijzing voor adressen).

Onze specialisten helpen u graag verder en bespreken het verdere verloop van de garantie met u.

## 13 Afvoer

- Laat het verpakkingsmateriaal indien mogelijk recyclen.



Als u het product definitief buiten bedrijf stelt, informeer dan bij het dichtstbijzijnde recyclingcentrum of uw speciaalzaak naar de betreffende afvoervorschriften.



### Bescherm uw milieu!

Accu's en batterijen horen niet thuis in het huishoudelijke afval. Geef uw defecte of verbruikte of defecte accu's bij de leverancier of bij een verzamelpunt af.

## 14 Technische gegevens

	Dometic TEC40D
Artikelnr.:	9102900201
Nominale uitgangsspanning:	230 V~ / 50 Hz
Max. continuvermogen (bij 25 °C op zeeniveau):	3500 W
Uitgangsspanning acculader:	12 V===
Max. uitgangsstroom acculader:	60 A
Bedrijfstemperatuur:	-15 °C tot +50 °C
Brandstof:	Dieselbrandstof conform EN 590
Motor:	Hatz (1 B 30V)
Verbruik:	max. 1,4 l/h
Motorvermogen:	4,7 kW (6,4 PS)
Max. toerental:	3300 min <sup>-1</sup>
Motorolie:	1,1 l
Geluidsniveau:	89 dB(A)
Geluidsniveau op 7 m afstand:	64 dB(A)
Afmetingen:	zie afb. <b>9</b> , pagina 7
Gewicht:	96,5 kg
Keurmerk/certificaat:	

Læs denne vejledning omhyggeligt igennem før ibrugtagning, og gem den. Giv den til brugeren, hvis du giver produktet videre.

## Indholdsfortegnelse

1	Forklaring af symbolerne . . . . .	140
2	Sikkerhedshenvisninger . . . . .	140
3	Målgruppe for denne vejledning. . . . .	142
4	Leveringsomfang . . . . .	143
5	Tilbehør . . . . .	143
6	Korrekt brug . . . . .	143
7	Teknisk beskrivelse . . . . .	144
8	Betjening af generatoren . . . . .	146
9	Rengøring af generatoren . . . . .	151
10	Vedligeholdelse af generatoren . . . . .	152
11	Udbedring af fejl. . . . .	157
12	Garanti . . . . .	158
13	Bortskaffelse . . . . .	158
14	Tekniske data. . . . .	159

# 1 Forklaring af symbolerne

**ADVARSEL!**

**Sikkerhedshenvisning:** Manglende overholdelse kan medføre død eller alvorlig kvæstelse.

**FORSIGTIG!**

**Sikkerhedshenvisning:** Manglende overholdelse kan medføre kvæstelser.

**VIGTIGT!**

Manglende overholdelse kan medføre materielle skader og begrænse produktets funktion.

**BEMÆRK**

Supplerende informationer om betjening af produktet.

➤ **Handling:** Dette symbol viser dig, at du skal gøre noget. De påkrævede handlinger beskrives trin for trin.

✓ Dette symbol beskriver resultatet af en handling.

**Fig. 1 5, side 3:** Denne information henviser til et element på en figur, i dette eksempel til „Position 5 på figur 1 på side 3“.

## 2 Sikkerhedshenvisninger

Producenten påtager sig intet ansvar for skader i følgende tilfælde:

- Beskadigelser på produktet på grund af mekanisk påvirkning og over-spænding
- Ændringer på produktet uden udtrykkelig tilladelse fra producenten
- Anvendelse til andre formål end dem, der er beskrevet i vejledningen

Producenten hæfter især ikke for følgeskader, heller ikke for følgeskader, der kan opstå, hvis driften af generatoren svigter.

Overhold følgende grundlæggende sikkerhedsforanstaltninger ved brug af elektriske apparater for at beskytte mod:

- Elektrisk stød
- Brandfare
- Kvæstelser

## 2.1 Grundlæggende sikkerhed



### FARE!

- Anvend **ikke** apparatet i rum, hvor der er fare for eksplosion.



### ADVARSEL!

- **El-apparater er ikke legetøj!**

Børn er ikke i stand til at vurdere farer, der udgår fra elektriske apparater. Lad ikke børn benytte elektriske apparater uden opsyn.

- Dette apparat kan anvendes af børn over 8 år og derudover af personer med begrænsede fysiske, sans- eller mentale evner eller uden erfaring og/eller viden, hvis de er under opsyn eller blev instrueret i sikker brug af apparatet og forstår farerne, der følger heraf.
- Anvend kun apparatet til det formål, som det er bestemt til.
- Foretag ikke ændringer af apparatet eller ombygninger på det!
- Installation og vedligeholdelse af og reparationer på generatoren må kun foretages af fagfolk, der kender farerne ved omgang med generatoren og de pågældende forskrifter. Ved ukorrekte reparationer kan der opstå betydelige farer. Ved reparationer skal du henvende dig til producentens afdeling i dit land (adresser på bagsiden).
- Markér ved vedligeholdelsesarbejde området omkring apparatet, og blokér adgangen til områder, hvis aktivering medfører farer.
- Udstødningsgasserne indeholder kulmonoxid, en yderst giftig, lugtløs og farveløs gas. Indånd ikke udstødningsgasserne. Lad ikke generatorens motor køre i en lukket garage eller i et rum uden vinduer.

**FORSIGTIG!**

- Generatoren må udelukkende anvendes med lukket inspektionsklap.
- Fjern alle letantændelige materialer som f.eks. benzin, lak, opløsningsmidler osv. i nærheden af generatoren.
- Kontrollér, at generatorens dele, der bliver varme, ikke kommer i berøring med letantændelige materialer.
- Optank kun generatoren, når den er frakoblet og er i et godt ventileret område. Diesel er letantændeligt og kan eksplodere.
- Optank ikke generatoren, når køretøjets motor kører, hvis tanken befinder sig i nærheden af køretøjets motor.
- Tør spildt diesel grundigt op, og afvent, at dampene er forsvundet, før du tilkoblet motoren.
- Berør ikke generatoren og ledningerne med fugtige hænder.
- Udskift kun sikringerne med sikringer med de samme tekniske data.

**VIGTIGT!**

- Fyld ikke tanken helt op. Der må ikke findes brændstof i tankens hals. Kontrollér, om dækslet er lukket rigtigt.

## 2.2 Sikkerhed under anvendelse af apparatet

**ADVARSEL!**

- Afbryd altid strømforsyningen ved arbejder på apparatet.

**VIGTIGT!**

- Anvend kun apparatet, hvis kabinettet og ledningerne er ubeskadigede.

## 3 Målgruppe for denne vejledning

Denne betjeningsvejledning henvender sig til generatorens bruger.

## 4 Leveringsomfang

Betegnelse	Artikelnummer
Generator TEC40D	9102900201
Fjernbetjening	
Udstødningsgasledning, 2 m	
Fastgørelsesmateriale til lydæmperen	
Tilslutningskabel	
AG 102, omkoblingsrelæ til realisering af en prioritetskobling	
Fastgørelsesmateriale	
Installationsvejledning	
Betjeningsvejledning	

## 5 Tilbehør

Kan fås som tilbehør (ikke indeholdt i leveringsomfanget):

Delenes betegnelse	Artikelnummer
PR 25044, eksternt tætningsæt	9102900174

## 6 Korrekt brug

Generatoren TEC40D (art.nr. 9102900201) er beregnet til anvendelse campingvogne, autocampere og erhvervskøretøjer.

Generatoren er **ikke** egnet til installation i både.

Generatoren skaber en ren sinus-vekselspænding på 230 V/50 Hz, som forbrugere med en samlet konstant belastning på 3500 W kan tilsluttes til. Strømkvaliteten er også egnet til følsomme forbrugere (f.eks. pc'er).

Generatoren kan oplade et 12 V-batteri.

## 7 Teknisk beskrivelse

Generatoren består af følgende hovedelementer (fig. **1**, side 3):

- Vekselstrømsgenerator (1)
- Endoterm motor (2)
- Tilslutningspanel (3)
- Inverter (4)
- Fjernbetjening (5)

Den endoterme motor (2) drejer vekselstrømsgeneratoren (1), der er fast forbundet med den, og den skaber en vekselspænding.

Den integrerede inverter (4) former denne vekselspænding til en stabil spænding på 230 V og 50 Hz, der står til rådighed på inverterens klemmer. På inverteren er stikket til tilslutningskablet fjernbetjeningen (5) placeret.

På tilslutningsboksen (3) bagved døren er tilslutningsklemmerne og hovedafbryderen placeret.

Generatoren har en integreret batterioplader til opladning af det tilsluttede batteri.

### Betjeningslementer på tilslutningsboksen

Tilslutningsboksen befinder sig på generatoren bagved afskærmningen.

Pos. på fig. <b>2</b> , side 3	Beskrivelse	
1	Hovedafbryder	Tænder generatoren, så den er driftsklar, eller frakobler dens funktion.
2	Tilslutningsklemme batteri-pluspol	Tilslutning til batteriets plusklemme.
3	Hovedsikring	Udløses ved overspænding på inverteren
4	Sikring batterilader	Udløses ved overspænding på batteriladeren



## Betjeningselementer på fjernbetjeningen

Fjernbetjeningen er placeret inde i køretøjet.

Pos. på fig. <b>3</b> , side 4	Beskrivelse	
1	Display	Viser statusmeldinger
2	Tænd/sluk-kontakt „ $\phi$ “	Tænder og slukker betjeningspanelet, når hovedafbryderen står på „I“ eller „1“. Standser generatoren i nødstilfælde.
3	Grøn tast „START/STOP“	Starter/standser generatoren, hvis betjeningspanelet er tilkoblet og hovedafbryderen står på „I“ eller „1“.
4	Brændstofvisning	Lyser, hvis dieselbrændstoffet står på reserve.
5	Olievisning	Lyser, hvis oliestanden i motoren er for lav.

## Displayvisninger

Pos. på fig. <b>3</b> , side 4	Beskrivelse	
6	Vekselspænding	Aktuel udgangsspænding
7	Konstant effekt	De tilsluttede forbrugeres aktuelle effekt
8	Driftstimer	Tid, som generatoren er i drift
9	Jævnspænding	Batterispænding
10	Meldinger	Generatorens statusmelding (se kapitlet „Displaymeldinger“ på side 148)

## 8 Betjening af generatoren



### **VIGTIGT!**

Belast i de første 50 driftstimer (indkøringsfase) ikke generatoren over 70 % af den maks. konstante effekt.



### **BEMÆRK**

Belast efter indkøringsfasen maks. generatoren med en belastning på ca. 75 % af den maks. konstante effekt. På den måde kan du forlænge generatorens levetid og maksimere dens effekt.

### 8.1 Grundlæggende henvisninger til betjeningen



#### **FORSIGTIG! Fare for kvæstelser!**

Stik ikke fingre eller genstande ind i luftdyserne eller indsugningsgitteret.

Overhold følgende grundlæggende henvisninger:

- Hvis du anvender generatoren ved lave temperaturer (< 0 °C), skal du anvende vinterdiesel eller tilsætte en procentdel benzin til dieselen i henhold til følgende tabel:

Udenomstemperatur	Sommerdiesel	Vinterdiesel
-10 til 0 °C	20 %	–
-15 til -10 °C	30 %	–
-20 til -15 °C	30 %	20 %

- Kontrollér oliestanden før hver anvendelse (kapitlet „Kontrol af oliestanden“ på side 150).
- Også små overbelastninger medfører i længden, at generatoren standser.
- Lad generatoren være i drift i et par minutter uden forbrugere efter brug, før du standser den.
- Kraftig opbremsning, acceleration og kørsel i kurver med køretøjet kan forårsage problemer i generatorens pumpe-system og medføre, at den frakobles utilsigtet.
- Hvis du ikke anvender generatoren i længere tid, skal du starte den mindst for hver 10 dage og lade den køre i mindst 15 minutter.

## 8.2 Tilkobling af generator til driftsklar tilstand eller frakobling af dens funktion

Med hovedafbryderen (fig. **2** 1, side 3) på tilslutningsboksen tilkobles generatoren, så den er driftsklar, eller frakobles dens funktion.

## 8.3 Til- og frakobling af betjeningspanelet

Med tænd/sluk-kontakten (fig. **3** 2, side 4) på betjeningspanelet til- og frakobles betjeningspanelet.

- ▶ Tænd betjeningspanelet med tænd/sluk-knappen.
- ✓ Displayet viser: *GEN OFF*.  
Displayet slukkes automatisk efter 5 min, hvis der i dette tidsrum ikke trykkes på startknappen.  
Ved at trykke på starttasten kan du tænde displayet igen.
- ✓ Generatoren kan nu startes.

## 8.4 Start af generatoren

Generatoren kan kun startes, når den er indstillet på driftsklar tilstand, og når betjeningspanelet tændt.



### **BEMÆRK**

Hvis generatoren stadig er varm, skal du trykke kort på starttasten for at starte, længere, når generatoren er kold.

- ▶ Start generatoren med den grønne tast „START/STOP“ (fig. **3** 3, side 4).

## 8.5 Standsning af generatoren

- ▶ Stands generatoren med tænd/sluk-knappen (fig. **3** 2, side 3).  
Hvis generatoren ikke standser: Sluk den med hovedafbryderen (fig. **2** 1, side 3).

## 8.6 Displaymeldinger

Displaymelding Beskrivelse	Generatorens reaktion	Foranstaltninger
<b>LOW BATTERY</b> Batterispændingen er faldet under minimumværdien for udførelsen af startforsøg (9 V).	Generatoren starter ikke.	Oplad batteriet.
<b>CHECK OIL LEVEL</b>	Generatoren fortsætter med at køre.	Påfyld olie (se kapitlet „Kontrol af oliestanden“ på side 150).
<b>OIL CHANGE</b> Tællingen af driftstimerne har nået den indstillede værdi for motorolieskiftet.	Generatoren fortsætter med at køre.	Foretag olieskiftet (se kapitlet „Olieskift“ på side 154). For at resette alarmen skal du starte generatoren: Tryk på tasten „START/STOP“, og hold den inde.
<b>NO FUEL</b> Dieselbrændstoffet i tanken står på reserve.	Generatoren fortsætter med at køre.	Optank.
<b>OIL TEMP PRESS</b> Der mangler motorolie. Motortemperatur for høj.	Generatoren standser.	Påfyld olie (se kapitlet „Kontrol af oliestanden“ på side 150).  Lad generatoren køle af, vent et par minutter, start derfor generatoren igen.
<b>GENERATOR ALERT!</b> Generel alarmmelding	Generatoren standser.	Kontrollér systemet ved hjælp af tabellen Fejl, årsager og udbedringer.  Hvis problemet fortsat findes, skal du henvende dig til producentens afdeling i dit land (adresser på bagsiden).
<b>OVERLOAD!</b> Forbrugeren skaber en overbelastning på udgangen.	Inverteren frakobler, derfor afgives der ikke længere spænding, men motoren fortsætter med at køre, indtil den standser.	Reducér den tilsluttede belastning, og start generatoren igen.

<b>Displaymelding Beskrivelse</b>	<b>Generatorens reaktion</b>	<b>Foranstaltninger</b>
<i>SHORT CIRCUIT</i> Forbrugerne skaber en kortslutning på udgangen.	Inverteren frakobler, derfor afgives der ikke længere spænding, men motoren fortsætter med at køre, indtil den standser.	Kontrollér de tilsluttede forbrugeres tilstand, start derefter generatoren igen.
<i>OVER TEMPERATURE</i> Invertertemperatur for høj.	Inverteren frakobler, derfor afgives der ikke længere spænding, men motoren fortsætter med at køre for at køle generatoren.	Lad generatoren køle af, vent et par minutter, start derfor generatoren igen.
<i>LOW POWER ENGINE</i> Fald i inverteres forsynings-spænding	Generatoren standser.	Reducér den tilsluttede belastning, og start generatoren igen.
<i>GEN CAL</i> Melding, der vises, når generatoren startes. Den viser kalibreringsfasen, der går forud for hver start. Generatoren afgiver endnu ingen spænding.	Generatoren kører, men skaber ingen spænding.	Vent et øjeblik.
<i>GEN WAIT</i> Melding, der vises i pausen mellem to startforsøg.	Generatoren er frakoblet.	Vent, indtil meldingen forsvinder, prøv derefter at tænde igen.
<i>GEN ON</i> Normal drift af generatoren.	Normal drift	–
<i>GEN OFF</i>	Generatoren er på standby og kan startes.	–

## 8.7 Kontrol af oliestanden



### **FORSIGTIG!**

Varm olie kan forårsage forbrændinger.  
Kontrollér kun oliestanden, når generatoren er frakoblet.



### **BEMÆRK**

Generatoren skal stå vandret.

Kontrollér oliestanden før hver anvendelse. Gå frem på følgende måde:

- Åbn generatorens klap.
- Afbryd generatorens funktioner med hovedafbryderen (fig. 4 1, side 4).
- Afbryd forbindelsen til forsyningsbatteriets pluspol.
- Træk målepinden (fig. 4 2, side 4) ud af påfyldningsstudsens (fig. 4 3, side 4).
- Rengør målepinden (fig. 4 2, side 4) med en klud.
- Stik målepinden (fig. 4 2, side 4) helt ind i påfyldningsstudsens (fig. 4 3, side 4).
- Træk målepinden (fig. 4 2, side 4) ud af påfyldningsstudsens.
- Kontrollér, om oliestanden ligger mellem indhakkets (maks. påfyldningsniveau) og målepindens spids.  
Påfyld olie, hvis det ikke er tilfældet.
- Stik målepinden (fig. 4 2, side 4) helt ind i påfyldningsstudsens (fig. 4 3, side 4).
- Forbind generatoren med forsyningsbatteriets pluspol.
- Tænd generatoren med hovedafbryderen (fig. 4 1, side 4), så den er driftsklar.
- Luk generatorens klap.

## 9 Rengøring af generatoren



### ***VIGTIGT! Fare for beskadigelse!***

- Rengør ikke generatoren med en højtryksrenser. Indtrængende vand kan beskadige generatoren.
- Anvend ikke skarpe eller hårde genstande eller rengøringsmidler til rengøring, da det kan beskadige generatoren.
- Anvend udelukkende vand med et skånende rengøringsmiddel til at rengøre generatoren. Anvend under ingen omstændigheder benzin, diesel eller opløsningsmidler.

- Rengør af og til generatorens kabinet med en fugtig klud.
- Fjern regelmæssigt tilsmudsninger fra generatorens ventilationsåbninger. Generatorens lameller må i den forbindelse ikke beskadiges.

# 10 Vedligeholdelse af generatoren

## 10.1 Vedligeholdelsestabel



### ADVARSEL!

Lad fagfolk, der kender de gældende forskrifter, udføre alle vedligeholdelsesarbejder. Ved ukorrekte vedligeholdelsesarbejder kan der opstå betydelige farer.



### BEMÆRK

Lad følgende vedligeholdelsesarbejder udføre med de anførte mellemrum eller efter det anførte antal driftstimer, afhængigt af hvad der forekommer først.

Interval	Kontrol/vedligeholdelse
I den første måned eller efter 50 timer	<ul style="list-style-type: none"> <li>➤ Lad olien udskifte.</li> </ul>
For hver 250 timer	<ul style="list-style-type: none"> <li>➤ Lad olien udskifte.</li> <li>➤ Lad motorens kølesystem rengøre.</li> <li>➤ Lad ventilspillet og skruerne kontrollere. Lad evt. ventilspillet indstille og skruerne spænde.</li> <li>➤ Lad luftfilteret kontrollere (kapitlet „Vedligeholdelse af luftfilteret“ på side 156).</li> </ul>
For hver 500 timer	<ul style="list-style-type: none"> <li>➤ Lad luftfilteret og brændstoffilteret udskifte.</li> </ul>
Årligt eller for hver 1000 timer	<ul style="list-style-type: none"> <li>➤ Lad oliefilteret rengøre.</li> </ul> <p>Følgende skal gennemføres af en forhandler, der er autoriseret af HATZ, eller af fagfolk, der blev uddannet af Dometic:</p> <ul style="list-style-type: none"> <li>➤ Lad indsprøjtningssumpen vedligeholde.</li> <li>➤ Lad vibrationsdæmperen vedligeholde.</li> </ul>



## 10.2 Forberedelse af vedligeholdelsesarbejder



### FORSIGTIG!

Overhold følgende ved alle vedligeholdelsesarbejder:

- Generatoren må ikke være i drift.
- Alle dele skal være kølet af.

- Åbn generatorens klap.
- Afbryd generatorens funktioner med hovedafbryderen (fig. **2** 1, side 3).
- Afbryd forbindelsen til forsyningsbatteriets pluspol.

Ved vedligeholdelsesarbejder kan du trække generatoren ud:



### ADVARSEL!

Fundamentpladen med generatoren er meget tung (> 90 kg) og kan falde ud af kabinettet, hvis du trækker den for langt ud.

- Løsn fastgørelsesskruen (fig. **5** 1, side 5).
- Træk fundamentpladen (fig. **5** 2, side 5) med generatoren ud af kabinettet.

## 10.3 Afslutning af vedligeholdelsesarbejder

- Forbind generatoren med forsyningsbatteriets pluspol.
- Tænd generatoren med hovedafbryderen (fig. **2** 1, side 3), så den er driftsklar.
- Luk generatorens klap.

## 10.4 Olieskift

**FORSIGTIG!**

Varm olie kan forårsage forbrændinger.

**VIGTIGT!**

Aflever ubetinget spildolie til specialfirmaer med henblik på bortskaffelse eller genanvendelse, og overhold lovene i det pågældende lande til beskyttelse af miljøet.

Du kan anvende følgende olie:

- Olie med egenskaberne:
  - CCMC D4, D5, PD
  - API CD, CE, CF, CG
  - SHPD
- Olie i klasserne SAE:
  - 5W-30
  - 5W-40
  - 100W
  - 100W-30 (anbefalet)
  - 10W-30
  - 15W-30
  - 30
  - 40
- Olie med et områdes viskositet:

Vælg den egnede viskositet afhængigt af den gennemsnitlige lokale temperatur.

Sådan skifter du olie (fig. **6**, side 5):

- Lad generatoren køre varm i tre til fem minutter, så olien bliver mere flydende og løber hurtigt og fuldstændigt ud.
- Træk målepinden (1) ud af påfyldningsstudsens (2).
- Stil en egnet beholder (4) i nærheden af olieslangen (5).
- Løsn spændebåndet (3).
- Tag olieslangen (5) af, og lad olien løbe ned i beholderen (4).
- Sæt olieslangen (5) på slangetilslutningsstykket.
- Fastgør olieslangen (5) med spændebåndet (3).
- Påfyld ny olie i påfyldningsstudsens (2).  
Den maks. oliemængde er 1,1 l.  
Oliestanden skal ligge mellem maksimum- og minimum-kærven på målepinden (1).
- Stik målepinden (1) helt ind i påfyldningsstudsens (2).

## 10.5 Udskiftning af brændstoffilteret



### **VIGTIGT!**

Bortskaf udløbende brændstof i henhold til lovene i det pågældende land for at beskytte miljøet.

Der findes to brændstoffiltre (fig. **7** 2 og 4, side 6) i generatoren.

- Stil en egnet beholder under brændstoffilteret (fig. **7** 2 og 4, side 6).
- Løsn fastgørelsesbåndene (fig. **7** 1 og 3, side 6).
- Udskift brændstoffilteret, og sæt et andet i.
- Spænd fastgørelsesbåndene igen.

## 10.6 Vedligeholdelse af luftfilteret



### **ADVARSEL! Eksplosionsfare!**

Anvend ikke diesellole eller opløsningsmidler med lavt fordampningspunkt til at rengøre luftfilteret. De kan antændes eller eksplodere.



### **FORSIGTIG!**

Bær en åndedrætsmaske og beskyttelsesbriller.



### **VIGTIGT!**

Lad aldrig motoren køre uden luftfilter. I modsat fald slides motoren for hurtigt.



### **BEMÆRK**

Hvis luftfilteret er tilsmudset, reduceres luftstrømmen til motoren. For at motoren fungerer godt, skal du regelmæssigt kontrollere filtertilstanden. Kontrollér den tilsvarende hyppigere, hvis generatoren anvendes i særligt støvede omgivelser.

Kontrollér og udskift luftfilteret på følgende måde (fig. **8**, side 6):

- Fjern fastgørelseskappen (1) og filterafdækningen (2).
- Fjern fingermøtrikkerne (3).
- Tag luftfilteret (4) ud.
- Kontrollér tilstanden for luftfilteret (4) omhyggeligt:  
Lys ind i luftfilteret med en lampe, og kontrollér, om papirmembranen er beskadiget.  
Udskift luftfilteret:
  - hvis det er beskadiget
  - hvis det er tilsmudset af fugtige eller olieholdige urenheder
- Rengør det ubeskadigede luftfilter for tørre urenheder.  
Rengøring af luftfilteret med tør trykluft (anvend ikke trykluftdyser med et tryk på mere end 2 til 2,5 bar): Blæs tryklufften indefra og ud, indtil støvet er fuldstændigt fjernet.
- Rengør filterafdækningen (2).
- Sæt luftfilteret (4) i.

- Fastgør fingermøtrikkerne (3).
- Placér filterafdækningen (2) igen.
- Fastgør filterafdækningen (2) med fastgørelseskappen (1).

## 11 Udbedring af fejl

Fejl	Årsag	Udbedring
Når der trykkes på tænd/sluktasten, tændes betjeningspanelet ikke.	Startbatteri afladet.	➤ Oplad startbatteriet.
	Strømkabel afbrudt eller stik trukket ud.	➤ Kontakt et autoriseret værksted.
	Sikring (hvis den findes) er udløst.	
Når der trykkes på starttasten, drejer starteren ikke.	Startbatteri afladet.	➤ Oplad startbatteriet.
	Hovedafbryderen står på „0“.	➤ Stil hovedafbryderen på „I“ eller „1“.
	Printkort beskadiget.	➤ Kontakt et autoriseret værksted.
	Starteren forsynes ikke med strøm.	
Starteren drejer, men generatoren starter ikke.	Indsprøjtningventiler tilsmudsede.	➤ Kontakt et autoriseret værksted.
	Motor defekt.	
Generatoren har tendens til at frakoble.	For meget olie i motoren.	➤ Aftap olie (se kapitlet „Olieskift“ på side 154).
	For høj belastning.	➤ Sluk forbrugere.
	Luftindsugning tilstoppet.	➤ Lad luftfilteret kontrollere (se kapitlet „Vedligeholdelse af luftfilteret“ på side 156).
	Inverter beskadiget.	➤ Kontakt et autoriseret værksted.
	Defekt i indsprøjtningsspøjsens strømforsyning.	
	Indsprøjtningventiler tilsmudsede.	
Generatoren er startet, men skaber ingen spænding.	Inverter beskadiget.	➤ Kontakt et autoriseret værksted.
	De elektriske forbindelser er ikke tilsluttet rigtigt.	➤ Kontrollér de elektriske forbindelser.

Fejl	Årsag	Udbedring
Den skabte spænding er ustabil.	For høj belastning.	➤ Sluk forbrugere.
	Luftindsugning tilstoppet.	➤ Lad luftfilteret kontrollere (se kapitlet „Vedligeholdelse af luftfilteret“ på side 156).
	Inverter beskadiget.	➤ Kontakt et autoriseret værksted.
	Defekt i indsprøjtningssumpens strømforsyning.	
	Indsprøjtningssystemet tilsmudsede.	
Batteriladeren leverer ingen spænding.	Batteriladerens sikring beskadiget.	➤ Udskift sikringen.

## 12 Garanti

Den lovbestemte garantiperiode gælder. Hvis produktet er defekt, skal du kontakte en servicepartner i dit land (adresser, se vejledningens bagside).

Vores specialister hjælper gerne videre og diskuterer garantiens videre forløb.

## 13 Bortskaffelse

- Bortskaf så vidt muligt emballagen sammen med det tilsvarende genbrugsaffald.



Hvis du tager produktet endegyldigt ud af drift, skal du kontakte det nærmeste recyclingcenter eller din faghandel for at få de pågældende forskrifter om bortskaffelse.





### Beskyt miljøet!

Genopladelige og ikke genopladelige batterier hører ikke til i husholdningsaffaldet.

Aflever defekte genopladelige batterier og brugte batterier hos forhandleren eller ved et indsamlingssted.

## 14 Tekniske data

	Dometic TEC40D
Art.nr.:	9102900201
Nominel udgangsspænding:	230 V~/50 Hz
Maks. konstant effekt (ved 25 °C på havets overflade):	3500 W
Udgangsspænding batterilader:	12 V===
Maks. udgangsstrøm batterilader:	60 A
Driftstemperaturområde:	-15 °C til +50 °C
Brændstof:	Dieselbrændstof iht. EN 590
Motor:	Hatz (1 B 30V)
Forbrug:	maks. 1,4 l/h
Motoreffekt:	4,7 kW (6,4 hk)
Maks. omdrejningstal:	3300 o/min
Motorolie:	1,1 l
Lydniveau:	89 dB(A)
Lydniveau på 7 m afstand:	64 dB(A)
Mål:	se fig. <b>9</b> , side 7
Vægt:	96,5 kg
Godkendelse/certifikat:	 

Läs igenom anvisningarna noga innan produkten tas i drift. Spara bruksanvisningen för senare bruk. Överlämna bruksanvisningen till den nya ägaren vid ev. vidareförsäljning.

## Innehållsförteckning

1	Förklaring av symboler . . . . .	161
2	Säkerhetsanvisningar . . . . .	162
3	Målgrupp . . . . .	164
4	Leveransomfattning . . . . .	164
5	Tillbehör . . . . .	164
6	Ändamålsenlig användning . . . . .	165
7	Teknisk beskrivning . . . . .	165
8	Använda generatoren . . . . .	167
9	Rengöra generatoren . . . . .	172
10	Underhåll av generator . . . . .	173
11	Åtgärder vid störningar . . . . .	178
12	Garanti . . . . .	179
13	Avfallshantering . . . . .	179
14	Tekniska data . . . . .	180



# 1 Förklaring av symboler

**VARNING!**

**Observera:** Beaktas anvisningen ej kan det leda till dödsfara eller svåra skador.

**AKTA!**

**Observera:** Beaktas anvisningen ej kan det leda till kroppsskador.

**OBSERVERA!**

Om anvisningarna inte beaktas kan det leda till materialskador och produktens funktion kan påverkas negativt.

**ANVISNING**

Kompletterande information om användning av produkten.

► **Arbetssteg:** denna symbol står framför en arbetsinstruktion.  
Tillvägagångssättet beskrivs steg för steg.

✓ Denna symbol står framför beskrivningen av resultatet.

**Bild 1 5, sidan 3:** anger en detalj på en bild, i detta exempel "position 5 på bild 1 på sidan 3".

## 2 Säkerhetsanvisningar

Tillverkaren övertar inget ansvar för skador i följande fall:

- skador på produkten, orsakade av mekanisk påverkan eller överspänning
- ändringar som utförts utan uttryckligt medgivande från tillverkaren
- ej ändamålsenlig användning

Detta gäller speciellt följskador, särskilt sådana följskador som uppstår p.g.a. att generatoren inte fungerar.

Beakta nedanstående grundläggande säkerhetsanvisningar för elapparater för att förhindra:

- elstötar
- brandfara
- skador.

### 2.1 Allmän säkerhet



#### FARA!

- Använd inte **inte** apparaten i utrymmen där explosionsrisk föreligger.



#### VARNING!

- **Elapparater är inga leksaker!**

I samband med elektriska apparater kan det uppstå farliga situationer som barn är ovetande om. Låt inte barn använda elektriska apparater utan uppsikt.

- Denna apparat kan användas av barn från 8 år samt personer med fysiska, sensoriska eller mentala funktionshinder eller oerfarenhet och/eller ovetande under uppsikt av en ansvarig person eller om de har undervisats hur apparaten används på ett säkert sätt utan att faror uppstår.
- Använd endast produkten för angivna ändamål.
- Gör inga ändringar eller ombyggnader på apparaten!

- Installation, underhåll och reparationer av generatorm får endast genomföras av härför utbildad personal, som är förtrogen med riskerna vid hantering av generatorm och känner till de gällande föreskrifterna. Icke fackmässiga reparationer kan medföra allvarliga risker. Vänd dig till tillverkarens filial i ditt land när det gäller reparationer (adresser finns på baksidan).
- Märk ut området runt apparaten vid underhållsarbeten och spärra åtkomst till delar vars aktivering leder till att fara uppstår.
- Avgaserna innehåller kolmonoxid, som är ett luktlöst, färglöst och mycket giftigt ämne. Andas inte in avgaserna. Låt inte generatorns motor vara igång i ett slutet utrymme som t.ex. ett garage eller ett rum utan fönster.

**AKTA!**

- Generatorm får endast användas när inspektionssluckan är stängd.
- Avlägsna alla lättantändliga material som bensin, lack, lösningsmedel och liknande från området kring generatorm.
- Se till att inga av de delar på generatorm som blir heta vidrör de lättantändliga materialen.
- Tanka endast generatorm när den är avstängd och befinner sig i ett välventilerat utrymme. Diesel är mycket brandfarligt och kan explodera.
- Tanka inte generatorm om fordonets motor är igång och tanken är i närheten av fordonets motor.
- Om diesel spills ut, torka noggrant upp den och vänta med att starta motorn tills ångorna har dunstat.
- Vidrör inte generatorm och ledningarna med fuktiga händer.
- Byt endast ut säkringar mot sådana med samma tekniska egenskaper.

**OBSERVERA!**

- Överfyll inte tanken. Inget bränsle får finnas i tankens hals. Kontrollera att locket är riktigt stängt.

## 2.2 Säkerhet under användning



### **WARNING!**

- Stäng alltid av strömförsörjningen innan arbeten utförs på produkten.



### **OBSERVERA!**

- Använd endast apparaten när dess hölje och kablarna är oskadade.

## 3 Målgrupp

Informationen i bruksanvisningen är avsedd för generatorns användare.

## 4 Leveransomfattning

Beteckning	Artikelnummer
Generator TEC40D	9102900201
Fjärrkontroll	
Avgasrör, 2 m	
Fastsättningsmaterial för ljuddämpare	
Anslutningskabel	
AG 102, Omkopplingsrelä för prioritetskoppling	
Fastsättningsmaterial	
Monteringsanvisning	
Bruksanvisning	

## 5 Tillbehör

Följande tillbehör finns tillgängliga (ingår inte i leveransen):

Komponent	Artikelnummer
PR 25044, extern tätningssats	9102900174

## 6 Ändamålsenlig användning

Generatorm TE40D (art.nr 9102900201) har tagits fram för användning i husvagnar, husbilar och kommersiella transportfordon.

Generatorm får **inte** monteras i vattenfordon.

Generatorm alstrar en ren sinusformad växelspanning på 230 V/50 Hz. Till denna kan förbrukare med en total kontinuerlig effekt på 3500 W anslutas. Ström kvaliteten passar även för känsliga förbrukare (t.ex. hemdatorer).

Generatorm kan användas för att ladda upp ett 12 V-batteri.

## 7 Teknisk beskrivning

Generatorm består av följande huvudelement (bild **1**, sida 3):

- Växelströmgenerator (1)
- Endoterm motor (2)
- Anslutningspanel (3)
- Inverter (4)
- Fjärrkontroll (5)

Den endoterma motorn (2), som är sammankopplad med växelströmgeneratorn, försätter växelströmgeneratorn (1) i rotation så att växelspanning alstras.

Med den integrerade invertern (4) omvandlas växelspanningen till en stabil spanning på 230 V och 50 Hz som sedan står till förfogande på inverterns klämmor. På invertern har uttaget till anslutningskabeln monterats på fjärrkontrollen (5).

På kopplingspanelen (3) bakom dörren har anslutningsklämmorna och huvudbrytaren monterats.

Generatorm är försedd med en integrerad batteriladdare för att ladda upp det anslutna batteriet.

## Reglage på anslutningsboxen

Anslutningsboxen sitter på generatorm bakom täckkåpan.

Pos. på bild <b>2</b> , sida 3	Beskrivning	
1	Huvudbrytare	Används för att ställa generatorm i lägena driftklar och inaktiverad.
2	Anslutningsklämma, batteriets pluspol	Anslutning till batteriets pluspol.
3	Huvudsäkring	Löser ut vid för hög spänning på invertern
4	Säkring, batteriladdare	Löser ut vid för hög spänning på batteriladdaren

## Reglage på fjärrkontrollen

Fjärrkontrollen är monterad invändigt i fordonet.

Pos. på bild <b>3</b> , sida 4	Beskrivning	
1	Display	Visar statusmeddelanden.
2	På-/avstängningsknapp "⏻"	Aktiverar och stänger av kontrollpanelen när huvudbrytaren står på "I" resp. "1". Stoppar generatorm i nödfall.
3	Grön knapp "START/STOP"	Startar/stoppar generatorm när kontrollpanelen är aktiverad och huvudbrytaren står på "I" resp. "1".
4	Bränsleindikering	Tänds när diesel hämtas från reservtanken.
5	Oljeindikator	Tänds när oljenivån i motorn är för låg.

## Displayindikeringar

Pos. på bild 3, sida 4	Beskrivning	
6	Växelspänning	Aktuell utgångsspänning
7	konstant effekt	Aktuell effekt för anslutna förbrukare
8	Drifftimmar	Tid som generatorm är i drift
9	Likspänning	Batterispänning
10	Meddelanden	Generatorms statusmeddelande (se kapitel "Meddelande på displayen" på sidan 170)

## 8 Använda generatorm



### **OBSERVERA!**

Kör inte generatorm på mer än 70 % av maximal kontinuerlig effekt under de första 50 drifftimmar (inkörningsfas).



### **ANVISNING**

Kör generatorm med max. 75 % av maximal kontinuerlig effekt inkörningsfasen.

På så sätt kan du maximera generatorms livslängd och effekt.

## 8.1 Grundläggande anvisningar för användning



### **AKTA! Risk för skador!**

Stick inte in fingrarna eller några föremål i luftmunstyckena eller intagsgallret.

Beakta följande anvisningar:

- Om du använder generatorm vid låga temperaturer ( $< 0\text{ }^{\circ}\text{C}$ ) måste vinterdiesel användas. Alternativt kan du i enlighet med följande tabell hålla i en viss procentandel bensin i dieseln:

Omgivningstemperatur	Sommardiesel	Vinterdiesel
-10 till $0\text{ }^{\circ}\text{C}$	20 %	–
-15 till $-10\text{ }^{\circ}\text{C}$	30 %	–
-20 till $-15\text{ }^{\circ}\text{C}$	30 %	20 %

- Kontrollera oljenivån innan varje användning (kapitel "Kontroll av oljenivå" på sidan 171).
- Även små överbelastningar leder på sikt till att generatorm stoppas.
- Låt generatorm vara igång några minuter utan förbrukare innan du stänger av den.
- Kraftiga inbromsningar, accelerationer och kurvtagningar kan orsaka problem i generatorms pumpsystem och medföra att generatorm stängs av.
- Om du inte använder generatorm under en längre tid, starta den minst en gång var 10:e dag och låt den vara igång minst 15 minuter.

## 8.2 Ställa generatorm i läget driftklar eller inaktiverad

Huvudbrytaren (bild **2** 1, sida 3) på anslutningsboxen används för att ställa generatorm i läget driftklar eller inaktiverad.



### 8.3 Aktivera och stänga av kontrollpanelen

På-/avknappen (bild **3** 2, sida 4) på kontrollpanelen används för att aktivera och stänga av kontrollpanelen.

- ▶ Aktivera kontrollpanelen med på-/avknappen.
- ✓ Displayen visar: *GEM OFF*.  
Displayen stängs av automatiskt efter 5 minuter om startknappen inte trycks ner under denna tid.  
Genom att trycka på startknappen kan du aktivera displayen igen.
- ✓ Generatorm kan nu startas.

### 8.4 Starta generatorm

Generatorm kan endast startas när den har ställts i läget driftklar och när kontrollpanelen är aktiverad.



#### **ANVISNING**

Om generatorm fortfarande är varm tryck endast kort på startknappen för att starta den. Håll in knappen längre om generatorm är kall.

- ▶ Starta generatorm med den gröna knappen "START/STOP" (bild **3** 3, sida 4).

### 8.5 Stoppa generatorm

- ▶ Stoppa generatorm med på-/avknappen (bild **3** 2, sida 3).  
Om generatorm inte stoppas: Stäng av den med huvudbrytaren (bild **2** 1, sida 3).

## 8.6 Meddelande på displayen

På displayen Beskrivning	Generatorns beteende	Åtgärder
<b>LOW BATTERY</b> Batterispänningen ligger under min.-värdet för startspänning (9 V).	Generatorm startar inte.	Ladda batteriet.
<b>KONTROLLERA OLJENIVÅN OIL</b>	Generatorm fortsätter att vara igång.	Fyll på oljan (se kapitel "Kontroll av oljenivå" på sidan 171).
<b>OIL CHANGE</b> Förinställt antal drifttimmar för oljebyte har uppnåtts.	Generatorm fortsätter att vara igång.	Byt oljan (se kapitel "Byta olja" på sidan 175). Om du vill återställa larmet startar du generatorm: trycker på knappen "START/STOP" och håller den intryckt.
<b>NO FUEL</b> Diesel hämtas från reservtanken.	Generatorm fortsätter att vara igång.	Tanka.
<b>OIL TEMP PRESS</b> Motoroljenivå för låg. För hög motortemperatur.	Generatorm stoppas.	Fyll på oljan (se kapitel "Kontroll av oljenivå" på sidan 171).  Låt generatorm svalna, vänta ett par minuter och starta sedan generatorm på nytt.
<b>GENERATOR ALERT!</b> Allmänt larmmeddelande	Generatorm stoppas.	Kontrollera systemet med hjälp av tabellen Störningar, orsaker och åtgärder.  Vänd dig till tillverkarens filial i ditt land om problemet kvarstår (adresser finns på baksidan).
<b>OVERLOAD!</b> Förbrukarna orsakar en överbelastning vid utgången.	Invertern stängs av och därför avges ingen spänning mer. Motorn fortsätter dock att vara igång tills den stängs av.	Minska den anslutna lasten och starta generatorm på nytt.
<b>SHORT CIRCUIT</b> Förbrukarna orsakar en kortslutning vid utgången.	Invertern stängs av och därför avges ingen spänning mer. Motorn fortsätter dock att vara igång tills den stängs av.	Kontrollera skicket på de anslutna förbrukarna och starta sedan generatorm på nytt.

På displayen Beskrivning	Generators beteende	Åtgärder
<i>OVER TEMPERATURE</i> För hög invertertemperatur.	Invertern stängs av och därför avges ingen spänning mer. Motorn fortsätter dock att vara igång för att låta generatorm svalna.	Låt generatorm svalna, vänta ett par minuter och starta sedan generatorm på nytt.
<i>LOW POWER ENGINE</i> Inverters försörjningsspänning faller bort.	Generatorm stoppas.	Minska den anslutna lasten och starta generatorm på nytt.
<i>GEN CAL</i> Meddelande som visas när generatorm startas; det visar kalibreringsmeddelandet som föregår varje start. Generatorm avger ingen spänning.	Generatorm roterar men avger ingen spänning.	Vänta ett ögonblick.
<i>GEN WAIT</i> Meddelande som visas i pausen mellan två startförsök.	Generatorm stängs av.	Vänta tills meddelandet försvinner och gör sedan ett nytt tändningsförsök.
<i>GEN ON</i> Normal drift av generatorm.	Normal drift	–
<i>GEN OFF</i>	Generatorm är i viloläge och kan startas.	–

## 8.7 Kontroll av oljenivå



### AKTA!

Het olja kan orsaka brännskador.  
Kontrollera endast oljenivån när generatorm är avstängd.



### ANVISNING

Generatorm måste stå vågrätt.

Kontrollera oljenivån innan varje användning. Tillvägagångssätt:

- Öppna generatorms lucka.
- Använd huvudbrytaren (bild **4** 1, sida 4) och ställ generatorm i läget inaktiv.
- Bryt förbindningen till förbrukarbatteriets pluspol.

- Dra ut mätstickan (bild **4** 2, sida 4) ur påfyllningsröret (bild **4** 3, sida 4).
- Rengör mätstickan (bild **4** 2, sida 4) med en trasa.
- För in mätstickan (bild **4** 2, sida 4) helt i påfyllningsröret (bild **4** 3, sida 4).
- Dra ut mätstickan (bild **4** 2, sida 4) ur påfyllningsröret.
- Kontrollera om oljenivån ligger mellan skåran (max.-nivå) och mätstickans spets.  
Om inte, fyll på olja.
- För in mätstickan (bild **4** 2, sida 4) helt i påfyllningsröret (bild **4** 3, sida 4).
- Anslut generatorm med förbrukarbatteriets pluspol.
- Använd huvudbrytaren (bild **4** 1, sida 4) och ställ generatorm i läget driftklar.
- Stäng generatorms lucka.

## 9 Rengöra generatorm



### ***OBSERVERA! Risk för skador!***

- Använd inte högtryckstvätt för att rengöra generatorm. Generatorm kan skadas om det kommer in vatten i den.
  - Använd inga vassa eller hårda föremål för rengöring, använd inga frätande rengöringsmedel; generatorm kan skadas.
  - Använd endast vatten och ett mildt rengöringsmedel för att rengöra generatorm. Använd aldrig bensin, diesel eller lösningsmedel.
- Rengör generatorms hölje då och då med en fuktig trasa.
  - Avlägsna regelbundet smuts från generatorms ventilationsöppningar. Se till att generatorms lameller inte skadas.

# 10 Underhåll av generator

## 10.1 Underhållstabell



### **VARNING!**

Låt endast härför utbildad personal som är förtrogen med gällande riktlinjer utföra samtliga typer av underhållsarbeten. Icke fackmässiga underhållsarbeten kan leda till att allvarliga faror uppstår.



### **ANVISNING**

Utför följande underhållsarbeten enligt angivna tidsintervaller eller efter angivet antal drifttimmar, beroende på vad som kommer först.

Intervall	Kontroll/underhåll
Inom den första månaden eller efter 50 timmar	<ul style="list-style-type: none"> <li>➤ Byt olja.</li> </ul>
Var 250:e timme	<ul style="list-style-type: none"> <li>➤ Byt olja.</li> <li>➤ Rengör motorns kylsystem.</li> <li>➤ Kontrollera ventilspel och skruvar. Ställ vid behov in ventilspel och dra åt skruvarna.</li> <li>➤ Kontrollera luftfiltret (kapitel "Underhåll av luftfilter" på sidan 177).</li> </ul>
Var 500:e timme	<ul style="list-style-type: none"> <li>➤ Byt luftfiltret och bränslefilter.</li> </ul>
En gång per år eller efter var 1000:e timme	<ul style="list-style-type: none"> <li>➤ Rengör oljefiltret.</li> </ul> <p>Nedanstående måste genomföras av en återförsäljare som godkänns av HATZ eller av fackmän som Dometic utbildat:</p> <ul style="list-style-type: none"> <li>➤ Underhåll insprutningspumpen.</li> <li>➤ Underhåll vibrationsdämparen.</li> </ul>

## 10.2 Förberedelse av underhållsarbeten

**AKTA!**

Observera följande vid alla typer av underhållsarbeten:

- Generatoren får inte vara i drift.
- Alla komponenter måste ha svalnat.

- Öppna generatorns lucka.
- Använd huvudbrytaren (bild **2** 1, sida 3) och ställ generatoren i läget inaktiv.
- Bryt förbindningen till förbrukarbatteriets pluspol.

Vid underhållsarbeten kan du dra ut generatoren:

**VARNING!**

Bärrarplatta med generator är mycket tung (> 90 kg) och kan ramla ut ur höljet om du dra ut den för långt.

- Lossa fästskruvarna (bild **5** 1, sida 5).
- Dra ut bärrarplattan (bild **5** 2, sida 5) med generatoren ur höljet.

## 10.3 Avsluta underhållsarbeten

- Anslut generatoren med förbrukarbatteriets pluspol.
- Använd huvudbrytaren (bild **2** 1, sida 3) och ställ generatoren i läget driftklar.
- Stäng generatorns lucka.

## 10.4 Byta olja

**AKTA!**

Het olja kan orsaka brännskador.

**OBSERVERA!**

Lämna spillolja till platser där oljan avfallshanteras och återvinns på ett korrekt sätt och följ det aktuella landets miljöskyddslagar.

Följande oljor kan användas:

- Olja med egenskaperna:
  - CCMC D4, D5, PD
  - API CD, CE, CF, CG
  - SHPD
- Olja i klassen SAE:
  - 5W-30
  - 5W-40
  - 100W
  - 100W-30 (rekommenderas)
  - 10W-30
  - 15W-30
  - 30
  - 40
- Olja med enkelområdesviskositet:

Välj lämplig viskositet beroende på genomsnittlig lokal temperatur.

Byte av olja (bild **6**, sida 5):

- Låt generatorn gå varm i tre till fem minuter så att oljan blir mer flytande och töms snabbt och fullständigt.
- Dra ut mätstickan (1) ur påfyllningsröret (2).
- Ställ en lämplig behållare (4) nära oljeslangen (5).
- Lossa klämman (3).
- Avlägsna oljeslangen (5) och töm ut oljan i behållaren (4).
- Sätt oljeslangen (5) på slanganslutningsstycket.
- Fäst oljeslangen (5) med klämman (3).
- Fyll på ny olja i påfyllningsröret (2).  
Max. oljemängd är 1,1 l.  
Oljenivån måste ligga mellan mätstickans max.- och min.-skåra (1).
- För in mätstickan (1) helt i påfyllningsröret (2).

## 10.5 Byta bränslefilter



### **OBSERVERA!**

Återvinn bränsle som tränger ut i enlighet med lagarna i det land där generatorn används.

Generatoren är försedd med två bränslefilter (bild **7** 2 och 4 sida 6).

- Ställ en lämplig behållare under bränslefiltret (bild **7** 2 och 4, sida 6).
- Lossa fästklamrarna (bild **7** 1 och 3, sida 6).
- Avlägsna bränslefiltret och sätt in ett nytt.
- Dra åt fästklamrarna igen.



## 10.6 Underhåll av luftfilter



### **VARNING! Explosionsrisk!**

Använd varken dieseloilja eller lösningsmedel med låg förångningspunkt för att rengöra luftfiltret. Dessa kan antändas eller explodera.



### **AKTA!**

Bär skyddsmask och skyddsglasögon.



### **OBSERVERA!**

Låt aldrig motorn vara igång utan luftfilter. Annars nöts motorn snabbt.



### **ANVISNING**

När luftfiltret är smutsigt minskar luftströmmen till motorn. För att motorn ska fungera som den ska, bör du regelbundet kontrollera filtrets skick. Kontrollera generatoren oftare om den används i dammiga omgivningar.

Kontrollera och byta luftfilter (bild **8**, sida 6):

- Avlägsna fästkåpan (1) och filterkåpan (2).
- Avlägsna de räfflade muttrarna (3).
- Avlägsna luftfiltret (4).
- Kontrollera noggrant skicket på luftfiltret (4):  
Lys med en lampa in i luftfiltret och kontrollera om pappersmembranet är skadat.  
Byt luftfiltret:
  - om det är skadat
  - om det är förorenat med fuktiga eller oljiga material.
- Avlägsna torra föroreningar från luftfiltret.  
Rengör luftfiltret med torr tryckluft (använd inte tryckluftmunstycken som har högre tryck än 2 till 2,5 bar): Blås med tryckluft inifrån och ut tills dammet har avlägsnats helt.
- Avlägsna filterkåpan (2).
- Sätt i luftfiltret (4).

- Fäst de räfflade muttrarna (3).
- Montera tillbaka filterkåpan (2).
- Fäst filterkåpan (2) med fästkåpan (1).

## 11 Åtgärder vid störningar

Fel	Orsak	Åtgärd
Kontrollpanelen aktiveras inte när man trycker på på-/avknappen.	Startbatteriet tomt.	➤ Ladda startbatteriet.
	Strömkabelbrott eller kontakt urdragen.	➤ Kontakta en auktoriserad verkstad.
	Säkring (om tillgänglig) har löst ut.	
Startmotorn går inte runt när man trycker på startknappen.	Startbatteriet tomt.	➤ Ladda startbatteriet.
	Huvudbrytaren står på "0".	➤ Ställ huvudbrytaren på "I" resp. "1".
	Kretskort skadat.	➤ Kontakta en auktoriserad verkstad.
	Startmotorn förses inte med ström.	
Startmotorn går runt med generatorn aktiveras inte.	Insprutningsventil förorenad.	➤ Kontakta en auktoriserad verkstad.
	Motor defekt.	
Generatormotorn tenderar till att stängas av.	För mycket olja i motorn.	➤ Töm ut oljan (se kapitel "Byta olja" på sidan 175).
	För hög belastning.	➤ Stäng av förbrukaren.
	Luftinsug tilltäppt.	➤ Kontrollera luftfiltret (se kapitel "Underhåll av luftfilter" på sidan 177).
	Invertern skadad.	➤ Kontakta en auktoriserad verkstad.
	Fel i insprutningspumpens strömförsörjning.	
	Insprutningsventil förorenad.	
Generatormotorn har startat men alstrar ingen spänning.	Invertern skadad.	➤ Kontakta en auktoriserad verkstad.
	De elektriska anslutningarna är inte riktigt anslutna.	➤ Kontrollera elkablarna.

Fel	Orsak	Åtgärd
Den alstrade spänningen är instabil.	För hög belastning.	➤ Stäng av förbrukaren.
	Luftinsug tilltäppt.	➤ Kontrollera luftfiltret (se kapitel "Underhåll av luftfilter" på sidan 177).
	Invertern skadad.	➤ Kontakta en auktoriserad verkstad.
	Fel i insprutningspumpens strömförsörjning.	
	Insprutningsventil förorenad.	
Batteriladdaren ger ingen spänning.	Batteriladdarens säkring är skadad.	➤ Byt säkring.

## 12 Garanti

Den lagstadgade garantitiden gäller. Om produkten är defekt: kontakta en servicepartner i ditt land (adresser, se bruksanvisningens baksida).

Våra specialister står gärna till förfogande och förklarar hur garantiärenden behandlas.

## 13 Avfallshantering

- Lämna om möjligt förpackningsmaterialet till återvinning.



När produkten slutgiltigt tas ur bruk: informera dig om gällande bestämmelser hos närmaste återvinningscentral eller hos återförsäljaren.



### Skydda miljön!

Varken laddningsbara batterier eller andra batterier hör hemma i hushållssoporna.

Lämna dina förbrukade eller defekta (laddningsbara) batterier till återförsäljaren eller till ett insamlingsställe.

## 14 Tekniska data

	<b>Dometic TEC40D</b>
Art.nr:	9102900201
Nominell utgångsspänning:	230 V~ / 50 Hz
Max. kontinuerlig effekt (25 °C vid havsytan):	3500 W
Utgångsspänning, batteriladdare:	12 V===
Max. utström, batteriladdare:	60 A
Temperaturområde:	-15 °C till +50 °C
Bränsle:	Diesel i enlighet med EN 590
Motor:	Hatz (1 B 30 V)
Förbrukning:	max. 1,4 l/h
Motoreffekt:	4,7 kW (6,4 HK)
Max. varvtal:	3 300 min <sup>-1</sup>
Motorolja:	1,1 l
Ljudnivå:	89 dB (A)
Ljudnivå på 7 m avstånd:	64 dB (A)
Mått:	Se bild <b>9</b> , sida 7
Vikt:	96,5 kg
Provning/certifikat:	

**Les bruksanvisningen nøye før du tar i bruk apparatet, og ta vare på den. Hvis produktet selges videre, må du sørge for å gi bruksanvisningen videre også.**

## **Innhold**

1	Symbolforklaringer . . . . .	182
2	Sikkerhetsregler . . . . .	183
3	Målgruppen for denne veiledningen. . . . .	185
4	Leveransen omfatter . . . . .	185
5	Tilbehør . . . . .	185
6	Tiltent bruk . . . . .	186
7	Teknisk beskrivelse . . . . .	186
8	Betjene generatoren . . . . .	188
9	Rengjøre generatoren . . . . .	193
10	Vedlikeholde generatoren . . . . .	194
11	Utbedre feil. . . . .	199
12	Garanti . . . . .	200
13	Deponering . . . . .	200
14	Tekniske data. . . . .	201

# 1 Symbolforklaringer

**ADVARSEL!**

**Sikkerhetsregel:** Hvis man ikke overholder denne regelen, kan det føre til død eller alvorlig skade.

**FORSIKTIG!**

**Sikkerhetsregel:** Hvis man ikke overholder denne regelen, kan det føre til personskader.

**PASS PÅ!**

Hvis man ikke overholder denne regelen, kan det føre til materielle skader og skade funksjonen til produktet.

**MERK**

Utfyllende informasjon om bruk av produktet.

- **Handling:** Dette symbolet indikerer at du må gjøre noe. De nødvendige handlingene beskrives trinnvis.
- ✓ Dette symbolet beskriver resultatet av en handling.

**Fig. 1 5, side 3:** Denne angivelsen henviser til et element i en illustrasjon, i dette eksemplet til «Posisjon 5 i illustrasjon 1 på side 3».

## 2 Sikkerhetsregler

Produsenten tar i følgende tilfeller intet ansvar for skader:

- Skader på produktet på grunn av mekanisk påvirkning og overspenninger
- Endringer på produktet uten at det er gitt uttrykkelig godkjenning av produsenten
- Bruk til andre formål enn det som er beskrevet i veiledningen

Produsenten tar ikke ansvar for eventuelle følgeskader, særlig ikke for følgeskader som kan oppstå på grunn av at generatoren svikter.

Overhold følgende grunnleggende sikkerhetsregler ved bruk av elektriske apparater for å beskytte mot:

- Elektrisk støt
- Brannfare
- Skader

### 2.1 Grunnleggende sikkerhet



#### FARE!

- Driv apparatet **ikke** i rom med eksplosjonsfare.



#### ADVARSEL!

- **Elektriske apparater er ikke beregnet for barn!**

Barn er ikke i stand til å bedømme farer forbundet med elektriske apparater. La ikke barn bruke elektriske apparater uten tilsyn.

- Dette apparatet kan brukes av barn fra 8 år og oppover, og av personer med nedsatte fysiske, sensoriske eller mentale evner eller manglende erfaring og/eller kunnskap, når de er under oppsikt eller har fått opplæring i sikker bruk av apparatet og hvilke farer som er forbundet med det.
- Bruk apparatet kun til det det er beregnet for.
- Ikke foreta endringer eller ombygging av apparatet!

- Installasjon, vedlikehold og reparasjon av generatoren må kun utføres av fagfolk som kjenner til farene ved håndtering av generatorer og som er kjent med gjeldende forskrifter. Feil reparasjoner kan føre til betydelige skader. Ved behov for reparasjon kontakter du produsentens filial i ditt land (adresser på baksiden).
- Marker området rundt apparatet ved vedlikehold, og sperr av tilgang til områder der aktivering kan føre til farer.
- Avgassene inneholder karbonmonoksid, en meget giftig, luktfri og fargeløs gass. Ikke pust inn avgassene! Ikke la generatorens motor gå i en lukket garasje eller i et rom uten vindu.

**FORSIKTIG!**

- Generatoren må kun brukes med lukket inspeksjonsdeksel.
- Fjern alle lettantennelige materialer som bensin, lakk, løsemidler osv. i nærheten av generatoren.
- Forsikre deg om at ingen varme deler på generatoren kommer i kontakt med lettantennelige materialer.
- Fyll drivstoff på generatoren kun når den er avslått og på et godt ventilert sted. Diesel er lett antennelig og kan eksplodere.
- Ikke fyll generatoren når kjøretøymotoren er på hvis tanken befinner seg i nærheten av kjøretøymotoren.
- Hvis du søler diesel, må du tørke det opp og vente til dampen har lagt seg før du slår på motoren.
- Ikke ta i generatoren og ledningene med fuktige hender.
- Bytt sikringene kun med slike som har samme tekniske spesifikasjoner.

**PASS PÅ!**

- Ikke fyll drivstofftanken for full. Det må ikke være drivstoff i halsen på tanken. Kontroller om lokket er riktig lukket.



## 2.2 Sikkerhet ved bruk av apparatet



### ADVARSEL!

- Ved arbeid på apparatet må man alltid avbryte strømforsyningen.



### PASS PÅ!

- Bruk apparatet kun når kapslingen og ledningene er uskadd.

## 3 Målgruppen for denne veiledningen

Denne bruksanvisningen henvender seg til brukeren av generatoren.

## 4 Leveransen omfatter

Betegnelse	Artikkelnummer
Generator TEC40D	9102900201
Fjernkontroll	
Avgassledning, 2 m	
Festemateriell for lydtemper	
Tilkoblingskabel	
AG 102, omkoblingsrelé for å realisere en prioritetskobling	
Festemateriell	
Montasjeveiledning	
Bruksanvisning	

## 5 Tilbehør

Tilgjengelig som tilbehør (ikke inkludert i leveransen):

Delebeskrivelse	Artikkelnummer
PR 25044, eksternt tetningssett	9102900174

## 6 Tiltent bruk

Generatoren TEC40D (art.nr. 9102900201) er beregnet for bruk i campingvogner, bobiler og kommersielle kjøretøy.

Generatoren er **ikke** egnet for installasjon i båter.

Generatoren genererer en sinus-vekselspenning på 230 V/50 Hz, som forbrukerne kan kobles til med en samlet permanent belastning på 3500 W. Strømkvaliteten er også egnet for følsomme forbrukere (f.eks. PC-er).

Generatoren kan lade opp et 12 V-batteri.

## 7 Teknisk beskrivelse

Generatoren består av følgende hovedelementer (fig. **1**, side 3):

- Vekselstrømsgenerator (**1**)
- Endotermisk motor (**2**)
- Tilkoblingspanel (**3**)
- Inverter (**4**)
- Fjernkontroll (**5**)

Den endotermiske motoren (**2**) setter vekselstrømsgeneratoren som er fast tilkoblet til den (**1**) i rotasjon, og denne genererer en vekselspanning.

Den innebygde inverteren (**4**) omformer denne vekselspanningen til en stabil spenning på 230 V og 50 Hz, som er tilgjengelig på klemmene til inverteren. På inverteren er kontakten for tilkoblingskabelen plassert på fjernkontrollen (**5**).

På tilkoblingspanelet (**3**) bak døren er tilkoblingsklemmene og hovedbryteren plassert.

Generatoren har en integrert batterilader for lading av det tilkoblede batteriet.

## Betjeningslementer på tilkoblingsboksen

Tilkoblingsboksen befinner seg på generatoren bak dekslet.

Pos. i fig. <b>2</b> , side 3	Beskrivelse	
1	Hovedbryter	Kobler generatoren driftsklar eller uten funksjoner.
2	Tilkoblingsklemme batteri-plusspol	Tilkobling til batteriets plussklemme.
3	Hovedsikring	Utløses ved overspenning på inverteren
4	Sikring batterilader	Utløses ved overspenning på batteriladeren

## Betjeningslementer på fjernkontrollen

Fjernkontrollen er plassert inne i kjøretøyet.

Pos. i fig. <b>3</b> , side 4	Beskrivelse	
1	Display	Indikerer statusmeldinger.
2	Av-/på-bryter « $\cup$ »	Slår betjeningspanelet av og på når hovedbryteren står på «I» hhv. «1». Stopper generatoren i en nødssituasjon.
3	Grønn knapp «START/STOPP»	Starter/stopper generatoren når betjeningspanelet er slått på og hovedbryteren står på «I» hhv. «1».
4	Drivstoffindikator	Lyser når drivstoffet står på reserve.
5	Oljeindikering	Lyser når oljenivået i motoren er for lavt.

## Displayindikeringer

Pos. i fig. 3, side 4	Beskrivelse	
6	Vekselspenning	Aktuell utgangsspenning
7	Permanent effekt	Aktuell effekt til de tilkoblede forbrukerne
8	Driftstimer	Tiden generatoren er i drift
9	Likespenning	Batterispenning
10	Meldinger	Generatorens statusmelding (se kapittel «Displaymeldinger» på side 191)

## 8 Betjene generatoren



### **PASS PÅ!**

De 50 første driftstimene (innkjøringsfasen) må ikke generatoren belastes over 70 % av maks. permanent effekt.



### **MERK**

Belast generatoren maksimalt med en belastning på ca. 75 % av maks. permanent effekt etter innkjøringsfasen. Slik kan du øke generatorens levetid og optimalisere effekten til den.

## 8.1 Grunnleggende betjeningsanvisninger



### **FORSIKTIG! Fare for personskader!**

Ikke stikk fingre eller gjenstander inn i luftdysene eller innsugingsgitteret.

Følg disse rådene:

- Hvis du bruker generatoren ved lave temperaturer ( $< 0\text{ }^{\circ}\text{C}$ ) må du bruke vinterdiesel eller tilføre en prosentandel bensin iht. følgende tabell til dieselen.

Omgivelsestemperatur	Sommerdiesel	Vinterdiesel
-10 til $0\text{ }^{\circ}\text{C}$	20 %	–
-15 til $-10\text{ }^{\circ}\text{C}$	30 %	–
-20 til $-15\text{ }^{\circ}\text{C}$	30 %	20 %

- Kontroller oljenivået hver gang før bruk (kapittel «Kontrollere oljenivået» på side 192).
- Også små overbelastninger fører over tid til at generatoren stopper.
- La generatoren gå i noen minutter etter bruk uten forbruker før du stopper den.
- Kraftig nedbremsing og akselerasjon av kjøretøyet og kjøring i kurver kan fremkalle problemer i generatorens pumpesystem og føre til uønsket utkobling.
- Hvis du ikke bruker generatoren på lang tid, må du starte den minst én gang hver 10. dag og la den gå i minst 15 minutter.

## 8.2 Koble generatoren driftsklar eller funksjonsløs

Generatoren kobles driftsklar eller funksjonsløs med hovedbryteren (fig. **2** 1, side 3) på koblingsboksen.

### 8.3 Slå betjeningspanelet av og på

Betjeningspanelet slås av og på med av-/på-bryteren (fig. **3** 2, side 4) på betjeningspanelet.

- Slå på betjeningspanelet med av-/på-bryteren.
- ✓ Displayet viser: *GEN OFF*.  
Displayet slår seg av automatisk etter 5 minutter hvis Startknappen ikke betjenes i løpet av denne tiden.  
Du kan slå på displayet igjen ved å trykke på Startknappen.
- ✓ Nå kan du starte generatoren.

### 8.4 Starte generatoren

Generatoren kan kun startes når den er koblet driftsklar og når betjeningspanelet er slått på.

**MERK**

Når generatoren fortsatt er varm, trykker du bare kort på Startknappen for å starte den, trykk lenger hvis generatoren er kald.

- Start generatoren med den grønne knappen «START/STOPP» (fig. **3** 3, side 4).

### 8.5 Stoppe generatoren

- Stopp generatoren med av-/på-bryteren (fig. **3** 2 side 3).  
Hvis generatoren ikke stopper: Slå den av med hovedbryteren (fig. **2** 1, side 3).

## 8.6 Displaymeldinger

Displaymelding Beskrivelse	Generatorens egenskaper	Tiltak
<i>LOW BATTERY</i> Batterispenningen har sunket under minimumsverdien for å utføre startforsøk (9 V).	Generatoren starter ikke.	Lad batteri.
<i>CHECK OIL LEVEL</i>	Generatoren fortsetter å gå.	Etterfyll olje (se kapittel «Kontrollere oljenivået» på side 192).
<i>OIL CHANGE</i> Driftstimetellingen har nådd den foreskrevne verdien for skifte av motorolje.	Generatoren fortsetter å gå.	Skift olje (se kapittel «Skifte olje» på side 196). For å tilbakestille alarmen starter du generatoren: Trykk på «START/STOPP»-knappen og hold den inne.
<i>NO FUEL</i> Dieselen i tanken står på Reserve.	Generatoren fortsetter å gå.	Fyll drivstoff.
<i>OIL TEMP PRESS</i> Motorolje mangler. Motortemperatur for høy.	Generatoren stopper.	Etterfyll olje (se kapittel «Kontrollere oljenivået» på side 192).  La generatoren bli kald, vent et par minutter, start deretter generatoren på nytt.
<i>GENERATOR ALERT!</i> Generell alarmmelding	Generatoren stopper.	Kontroller systemet ved hjelp av tabellen Feil, Årsaker og Tiltak.  Hvis problemet vedvarer, kontakter du produsentens filial i ditt land (adresser på baksiden).
<i>OVERLOAD!</i> Forbrukerne genererer en overbelastning ved utgangen.	Inverteren slås av, derfor avgis det ingen spenning lenger, men motoren fortsetter å gå til den stopper.	Reduser den tilkoblede lasten og start generatoren på nytt.
<i>SHORT CIRCUIT</i> Forbrukerne genererer en kortslutning ved utgangen.	Inverteren slås av, derfor avgis det ingen spenning lenger, men motoren fortsetter å gå til den stopper.	Kontroller tilstanden til de tilkoblede forbrukerne, start deretter generatoren på nytt.

Displaymelding Beskrivelse	Generatorens egenskaper	Tiltak
<i>OVER TEMPERATURE</i> Invertertemperatur for høy.	Inverteren slås av, derfor avgis det ingen spenning lenger, men motoren fortsetter å gå for å avkjøle generatoren.	La generatoren bli kald, vent et par minutter, start deretter generatoren på nytt.
<i>LOW POWER ENGINE</i> Fall i tilførselsspenningen til inverteren.	Generatoren stopper.	Reduser den tilkoblede lasten og start generatoren på nytt.
<i>GEN CAL</i> Melding som vises når generatoren startes. Den indikerer kalibreringsfasen som skjer før hver start. Generatoren avgir ingen spenning ennå.	Generatoren går rundt, men den genererer ingen spenning.	Vent et øyeblikk.
<i>GEN WAIT</i> Melding som vises i pausen mellom to startforsøk.	Generatoren er slått av.	Vent til meldingen forsvinner, forsøk deretter å starte på nytt.
<i>GEN ON</i> Normal drift av generatoren.	Normal drift	–
<i>GEN OFF</i>	Generatoren befinner seg i standby og kan startes.	–

## 8.7 Kontrollere oljenivået



### FORSIKTIG!

Varm olje kan medføre forbrenninger.  
Kontroller oljenivået kun med generatoren avslått.



### MERK

Generatoren må stå vannrett.

Kontroller oljenivået hver gang før bruk. Gå fram på følgende måte:

- Åpne dekslet på generatoren.
- Koble generatoren funksjonsløs med hovedbryteren (fig. 4 1, side 4).
- Koble fra forbindelsen til tilførselsbatteriets plusspol .
- Trekk peilepinnen (fig. 4 2, side 4) ut av påfyllingsstussen (fig. 4 3, side 4).



- Rengjør peilepinnen (fig. 4 2, side 4) med en klut.
- Stikk peilepinnen (fig. 4 2, side 4) helt inn i påfyllingsstussen (fig. 4 3, side 4).
- Trekk peilepinnen (fig. 4 2, side 4) ut av påfyllingsstussen.
- Kontroller om oljenivået ligger mellom hakket (maks. fyllenivå) og spissen på peilepinnen.  
Hvis dette ikke er tilfelle, må du etterfylle olje.
- Stikk peilepinnen (fig. 4 2, side 4) helt inn i påfyllingsstussen (fig. 4 3, side 4).
- Koble generatoren til tilførselsbatteriets plusspol.
- Koble generatoren driftsklar med hovedbryteren (fig. 4 1, side 4).
- Lukk dekslet på generatoren.

## 9 Rengjøre generatoren



### ***PASS PÅ! Fare for skade!***

- Ikke rengjør generatoren med høytrykksspyler. Vann som trenger inn kan skade generatoren.
  - Ikke bruk skarpe eller harde gjenstander eller rengjøringsmidler til rengjøring, da det kan skade generatoren.
  - Til rengjøring av generatoren må det kun benyttes vann med et mildt rengjøringsmiddel. Ikke bruk bensin, diesel eller løsemidler.
- 
- Rengjør generatorhuset av og til med en fuktig klut.
  - Fjern regelmessig smuss fra generatorens ventilasjonsåpninger. Pass på at generatorens lameller ikke blir skadet.

# 10 Vedlikeholde generatoren

## 10.1 Vedlikeholdstabell



### ADVARSEL!

Alt vedlikeholdsarbeid skal kun utføres av fagfolk som kjenner gjeldende forskrifter. Feil utført vedlikeholdsarbeid kan føre til betydelige skader.



### MERK

Sørg for at følgende vedlikeholdsarbeid utføres med angitte intervaller eller etter angitte driftstimer, avhengig av hva som inntreffer først.

Intervall	Kontroll/vedlikehold
I første måned eller etter 50 timer.	<ul style="list-style-type: none"> <li>➤ Skift olje.</li> </ul>
Hver 250. time	<ul style="list-style-type: none"> <li>➤ Skift olje.</li> <li>➤ Få kjølesystemet til motoren rengjort.</li> <li>➤ Få kontrollert ventilklaring og skruer. Still ev. inn ventilklaring, og trekk til skruer.</li> <li>➤ Få luftfilteret kontrollert (kapittel «Vedlikeholde luftfilter» på side 198).</li> </ul>
Hver 500. time	<ul style="list-style-type: none"> <li>➤ Sørg for at luftfilteret og drivstoffilteret skiftes ut.</li> </ul>
Hvert år eller hver 1000. time	<ul style="list-style-type: none"> <li>➤ Få oljefilteret rengjort.</li> </ul> <p>Følgende må gjennomføres av en forhandler som er autorisert av HATZ eller av fagpersoner som har fått opplæring av Dometic:</p> <ul style="list-style-type: none"> <li>➤ Få innsprøytingspumpen vedlikeholdt.</li> <li>➤ Få vibrasjonsdemperen vedlikeholdt.</li> </ul>

## 10.2 Forberede vedlikeholdsarbeid



### FORSIKTIG!

Ved alt vedlikeholdsarbeid må man være oppmerksom på følgende:

- Generatoren må ikke være i drift.
- Alle delene må være avkjølt.

- Åpne dekslet på generatoren.
- Koble generatoren funksjonsløs med hovedbryteren (fig. **2** 1, side 3).
- Koble fra forbindelsen til tilførselsbatteriets plusspol .

For vedlikeholdsarbeid kan generatoren trekkes ut:



### ADVARSEL!

Festeplaten med generator er svært tung (> 90 kg) og kan falle ut av dekslet hvis du trekker den for langt ut.

- Løsne festeskruene (fig. **5** 1, side 5).
- Trekk festeplaten (fig. **5** 2, side 5) med generatoren ut av kapslingen.

## 10.3 Avslutte vedlikeholdsarbeidet

- Koble generatoren til tilførselsbatteriets plusspol.
- Koble generatoren driftsklar med hovedbryteren (fig. **2** 1, side 3).
- Lukk dekslet på generatoren.

## 10.4 Skifte olje

**FORSIKTIG!**

Varm olje kan medføre forbrenninger.

**PASS PÅ!**

Gammel olje skal leveres til spesialfirmaer for deponering eller gjenvinning, følg lovene i det aktuelle landet for å beskytte miljøet.

Du kan bruke følgende oljer:

- Oljer med egenskapene:
  - CCMC D4, D5, PD
  - API CD, CE, CF, CG
  - SHPD
- Olje av SAE-klasse:
  - 5W-30
  - 5W-40
  - 100W
  - 100W-30 (anbefalt)
  - 10W-30
  - 15W-30
  - 30
  - 40
- Olje med spesialviskositet.  
Velg egnet viskositet avhengig av gjennomsnittstemperaturen på stedet.

Slik skifter du olje (fig. **6**, side 5):

- La generatoren gå og bli varm i tre til fem minutter, slik at oljen blir mer flytende og renner raskere og helt ut.
- Trekk peilepinnen (1) ut av påfyllingsstussen (2).
- Sett en egnet beholder (4) i nærheten av oljeslangen (5).
- Løsne slangeklemmen (3).
- Ta av oljeslangen (5) og la oljen renne ned i beholderen (4).
- Sett oljeslangen (5) på slangetilkoblingsdelen.
- Fest oljeslangen (5) med slangeklemmen (3).
- Fyll på fersk olje i påfyllingsstussen (2).  
Den maksimale oljemengden er 1,1 l.  
Oljenivået skal ligge mellom maks.- og min.-merkene på peilepinnen (1).
- Stikk peilepinnen (1) helt inn i påfyllingsstussen (2).

## 10.5 Skifte ut drivstoffilter



### **PASS PÅ!**

Deponer drivstoffet som kommer ut i henhold til gjeldende lover i landet for å beskytte miljøet.

Det finnes to drivstoffiltre (fig. **7** 2 og 4, side 6) i generatoren.

- Sett en egnet beholder under drivstoffiltrene (fig. **7** 2 og 4, side 6).
- Løsne festeklemmene (fig. **7** 1 og 3, side 6).
- Ta ut drivstoffilteret, og sett et nytt i.
- Trekk til festeklemmene igjen.

## 10.6 Vedlikeholde luftfilter



### **ADVARSEL! Eksplosjonsfare!**

Ikke bruk diesellolje eller løsemidler med lavt fordampingspunkt til å rengjøre luftfilteret. Disse kan antenne og eksplodere.



### **FORSIKTIG!**

Bruk åndedrettsvern og vernebriller.



### **PASS PÅ!**

La aldri motoren gå uten luftfilter. Hvis man ikke passer på dette, blir motoren raskt utslitt.



### **MERK**

Når luftfilteret er skittent, blir luftstrømmen til motoren redusert. For at motoren skal fungere tilfredsstillende, må man kontrollere filteret regelmessig. Kontroller det oftere hvis generatoren brukes i svært støvete omgivelser.

Kontroller og skift luftfilteret som følger (fig. **8**, side 6):

- Ta av festedekslet (1) og filterdekslet (2).
- Ta av fingerskruen (3).
- Ta ut luftfiltret (4).
- Kontroller tilstanden til luftfilteret nøye (4).  
Lys med en lampe inn i luftfilteret og kontroller om papirmembranene er skadet.  
Skift ut luftfilteret:
  - når det er skadet
  - når det er tilsmusset av fuktig eller oljete forurensning
- Rengjør det uskadde luftfilteret fra tørre forurensninger.  
Rengjør luftfilteret med tørr trykkluft (ikke bruk trykkluftdyser med et trykk som er høyere enn 2 til 2,5 bar.): Blås trykkluften fra innsiden og ut til støvet er fjernet helt.
- Rengjør filterdekselet (2).
- Sett inn luftfiltret (4).
- Fest fingerskruen (3).

- Sett på filderdekslet (2) igjen.
- Fest filterdekslet (2) med festedekslet (1).

## 11 Utbedre feil

Feil	Årsak	Tiltak
Betjeningspanelet slår seg ikke på når man trykker på av-/påbryteren.	Starterbatteriet er tomt.	➤ Lad opp starterbatteriet.
	Strømkabelen er brutt eller støpslet er trukket av.	➤ Ta kontakt med et autorisert verksted.
	Sikring (hvis relevant) har utløst.	
Starteren går ikke rundt når man trykker på startknappen.	Starterbatteriet er tomt.	➤ Lad opp starterbatteriet.
	Hovedbryteren står på «0».	➤ Sett hovedbryteren på «I» hhv. «1».
	Kretskortet skadet.	➤ Ta kontakt med et autorisert verksted.
	Starteren forsynes ikke med strøm	
Starteren går rundt, men generatoren starter ikke.	Innsprøytningsventilene er tilsmusset.	➤ Ta kontakt med et autorisert verksted.
	Motor defekt.	
Generatoren har en tendens til å stoppe.	For mye olje i motoren.	➤ Tapp av olje (se kapittel «Skifte olje» på side 196).
	For høy belastning.	➤ Slå av forbrukeren.
	Luftinnsugingen er blokkert.	➤ Få luftfilteret kontrollert (se kapittel «Vedlikeholde luftfilter» på side 198).
	Inverteren er skadet.	➤ Ta kontakt med et autorisert verksted.
	Feil i strømforsyningen til innsprøytningspumpen.	
Generatoren har startet, men den genererer ingen spenning.	Innsprøytningsventilene er tilsmusset.	
	Inverteren er skadet.	➤ Ta kontakt med et autorisert verksted.
	De elektriske forbindelsene er ikke riktig tilkoblet.	➤ Kontroller de elektriske forbindelsene.

Feil	Årsak	Tiltak
Den genererte spenningen er ustabil.	For høy belastning.	➤ Slå av forbrukeren.
	Luftinnsugingen er blokkert.	➤ Få luftfilteret kontrollert (se kapittel «Vedlikeholde luftfilter» på side 198).
	Inverteren er skadet.	➤ Ta kontakt med et autorisert verksted.
	Feil i strømforsyningen til innsprøytningspumpen.	
	Innsprøytningsventilene er tilsmusset.	
Batteriladeren leverer ingen spenning.	Batteriladerens sikring er skadd.	➤ Bytt sikring.

## 12 Garanti

Lovmessig garantitid gjelder. Hvis produktet skulle være defekt, sender du det til en servicepartner i ditt land (du finner adressene på baksiden av veiledningen).

Våre spesialister hjelper deg gjerne, og avtaler garantiens videre forløp med deg.

## 13 Deponering

- Lever emballasje til resirkulering så langt det er mulig.



Når du tar produktet ut av drift for siste gang, må du sørge for å få informasjon om deponeringsforskrifter hos nærmeste resirkuleringsstasjon eller hos din faghandler.




### Bevar miljøet!

Batterier hører ikke hjemme i husholdningsavfallet.

Lever defekte eller brukte batterier enten til forhandleren eller på en oppsamlingsstasjon.



## 14 Tekniske data

	Dometic TEC40D
Art.nr.:	9102900201
Nominell utgangsspenning:	230 V~ / 50 Hz
Maks. permanent effekt (ved 25 °C ved havnivå):	3500 W
Utgangsspenning batterilader:	12 V===
Maks. utgangsstrøm batterilader:	60 A
Driftstemperaturområde:	-15 °C til +50 °C
Drivstoff:	Diesel etter EN 590
Motor:	Hatz (1 B 30 V)
Forbruk:	maks. 1,4 l/h
Motoreffekt:	4,7 kW (6,4 PS)
Maks. turtall:	3300 min <sup>-1</sup>
Motorolje:	1,1 l
Lydtrykknivå:	89 dB(A)
Lydtrykknivå på 7 m avstand:	64 dB(A)
Mål:	Se fig. <b>9</b> , side 7
Vekt:	96,5 kg
Test/sertifikat:	

**Lue tämä ohje huolellisesti läpi ennen käyttöönottoa ja säilytä ohje hyvin. Jos myyt tuotteen eteenpäin, anna ohje tällöin edelleen uudelle käyttäjälle.**

## Sisällysluettelo

1	Symbolien selitykset . . . . .	203
2	Turvallisuusohjeet . . . . .	204
3	Tämän käyttöohjeen kohderyhmä . . . . .	206
4	Toimituskokonaisuus . . . . .	206
5	Lisävarusteet . . . . .	206
6	Tarkoituksenmukainen käyttö . . . . .	207
7	Tekninen kuvaus . . . . .	207
8	Generaattorin käyttö . . . . .	209
9	Generaattorin puhdistaminen . . . . .	215
10	Generaattorin huoltaminen . . . . .	216
11	Häiriöiden poistaminen . . . . .	221
12	Tuotevastuu . . . . .	222
13	Hävittäminen . . . . .	222
14	Tekniset tiedot . . . . .	223

# 1 Symbolien selitykset

**VAROITUS!**

**Turvallisuusohje:** Huomiotta jättäminen voi aiheuttaa hengenvaaran tai vakavan loukkaantumisen.

**HUOMIO!**

**Turvallisuusohje:** Huomiotta jättäminen voi johtaa loukkaantumiseen.

**HUOMAUTUS!**

Huomiotta jättäminen voi johtaa materiaalivaurioihin ja haitata tuotteen toimintaa.

**OHJE**

Tuotteen käyttöä koskevia lisätietoja.

- **Menettely:** Tämä symboli ilmaisee, että sinun tulee tehdä jotakin. Tarvittava menettely kuvataan askel askeleelta.
- ✓ Tämä symboli kuvailee menettelyn tuloksen.

**Kuva 1 5, sivulla 3:** Tämä tieto viittaa kuvassa olevaan elementtiin, tässä esimerkissä ”kohteeseen 5 kuvassa 1, sivulla 3”.

## 2 Turvallisuusohjeet

Valmistaja ei ota mitään vastuuta vahingoista seuraavissa tapauksissa:

- tuotteeseen mekaanisen vaikutuksen tai ylijännitteiden takia syntyneet vauriot
- tuotteeseen ilman valmistajan nimenomaista lupaa tehdyt muutokset
- käyttö muuhun kuin käyttöohjeessa ilmoitettuun tarkoitukseen

Se ei vastaa erityisesti minkäänlaisista seurannaisvahingoista, erityisesti seurannaisvahingoista, jotka voivat syntyä generaattorin toimimattomuuden takia.

Noudata seuraavia perustavia turvatoimenpiteitä käyttäessäsi sähköllä toimivia laitteita. Tämä suojelee sinua:

- sähköiskulta
- palovaaralta
- loukkaantumiselta

### 2.1 Perusturvallisuus



#### VAARA!

- Älä käytä laitetta räjähdysvaarallisissa tiloissa.



#### VAROITUS!

- **Sähkölaitteet eivät ole lasten leluja!**

Lapset eivät osaa arvioida sähkölaitteista aiheutuvia vaaroja oikein. Älä anna lasten käyttää sähkölaitteita ilman valvontaa.

- 8-vuotiaat tai sitä vanhemmat lapset sekä henkilöt, joiden fyysiset, sensoriset tai psyykkiset kyvyt ovat rajoittuneita tai jotka ovat kokemattomia ja/tai tietämättömiä, voivat käyttää tätä laitetta valvonnan alaisina tai kun heille on opetettu laitteen turvallinen käyttö ja he ovat ymmärtäneet siitä aiheutuvat vaarat.
- Käytä laitetta ainoastaan sen määräysten mukaiseen tarkoitukseen.
- Älä tee laitteeseen mitään muutoksia!

- Generaattorin saavat asentaa ja sitä saavat huoltaa ja korjata vain ammattimiehet, jotka tuntevat generaattorien käsittelyyn liittyvät vaarat sekä vastaavat määräykset. Epäasianmukaisista korjauksista saattaa aiheutua huomattavia vaaroja. Käännä valmistajan omassa maassasi sijaitsevan toimipisteen puoleen, jos laite tarvitsee korjausta (osoitteet takasivulla).
- Merkitse laitetta ympäröivä alue ennen huoltotöiden aloittamista. Estä myös pääsy alueille, joiden aktivointi voi aiheuttaa vaaroja.
- Pakokaasut sisältävät hiilimonoksidia, joka erittäin myrkyllinen, hajuton ja väritön kaasu. Älä hengitä pakokaasuja. Älä anna generaattorin moottorin käydä suljetussa autotallissa tai ikkunattomassa tilassa.



### **HUOMIO!**

- Generaattoria saa käyttää vain, jos tarkastusluukku on kiinni.
- Poista generaattorin läheltä kaikki helposti palavat materiaalit kuten bensiini, maalit, liuotinaineet jne.
- Varmista, että generaattorin mitkään kuumenevat osat eivät joudu kosketuksiin helposti palavien materiaalien kanssa.
- Tankkaa generaattori vain, kun se on pois päältä ja tila on hyvin tuuletettu. Dieselöljy syttyy erittäin herkästi ja voi myös räjähtää.
- Älä tankkaa generaattoria ajoneuvon moottorin käydessä, mikäli säiliö sijaitsee ajoneuvon moottorin lähellä.
- Pyyhi läikkynyt dieselöljy huolellisesti pois. Odota, että höyryt ovat haihtuneet, ennen kuin käynnistät moottorin.
- Älä kosketa generaattoria tai johtimia kosteilla käsillä.
- Vaihda sulakkeet vain sulakkeisiin, joiden tekniset tiedot vastaavat alkuperäisten sulakkeiden tietoja.



### **HUOMAUTUS!**

- Älä täytä säiliötä liian täyteen. Säiliön kaulassa ei saa olla polttoainetta. Tarkasta, onko korkki suljettu moitteettomasti.

## 2.2 Laitteen käyttöturvallisuus



### **VAROITUS!**

- Katkaise virransyöttö aina laitetta koskevien töiden ajaksi.



### **HUOMAUTUS!**

- Käytä laitetta vain, kun laitteen kotelossa ja johtimissa ei ole vaurioita.

## 3 Tämän käyttöohjeen kohderyhmä

Tämä käyttöohje on tarkoitettu generaattorin käyttäjälle.

## 4 Toimituskokonaisuus

Nimitys	Tuotenumero
Generaattori TEC40D	9102900201
Kaukosäädin	
Pakokaasujohdin, 2 m	
Äänenvaimentimen kiinnitysmateriaali	
Liitäntäjohto	
AG 102, vaihtorele prioriteettikytkennän toteuttamista varten	
Kiinnitysmateriaali	
Asennusohje	
Käyttöohje	

## 5 Lisävarusteet

Saatavissa lisävarusteena (ei sisälly toimituskokonaisuuteen):

Osan nimitys	Tuotenumero
PR 25044, ulkoinen tiivistesarja	9102900174

## 6 Tarkoituksenmukainen käyttö

Generaattori TEC40D (tuotenro 9102900201) on suunniteltu käytettäväksi asuntovaunuissa, matkailuautoissa ja kaupallisessa käytössä olevissa ajoneuvoissa.

Generaattori **ei** sovi asennettavaksi vesikulkuneuvoihin.

Generaattori synnyttää puhdasta sinimuotoista 230 V/50 Hz -vaihtojännitettä, johon voidaan liittää sähkölaitteita, joiden jatkuva kokonaiskuorma on 3500 W. Laadultaan virta sopii myös herkille sähkölaitteille (esim. PC-tietokoneet).

Generaattori kykenee lataamaan 12 V -akun.

## 7 Tekninen kuvaus

Generaattori rakentuu seuraavista pääosista (kuva **1**, sivulla 3):

- Vaihtovirtageneraattori (1)
- Endoterminen moottori (2)
- Liitäntäpaneeli (3)
- Invertteri (4)
- Kaukosäädin (5)

Endoterminen moottori (2) laittaa siihen kiinteästi liitetyn vaihtovirtageneraattorin (1) pyörimään, ja tämä synnyttää vaihtojännitteen.

Integroitu invertteri (4) muokkaa tämän vaihtojännitteen vakaaksi jännitteeksi 230 V / 50 Hz, joka on otettavissa invertterin liittimistä. Invertterissä on liitin kaukosäätimen(5) liitäntäjohtoa varten.

Liittimet ja pääkytkin ovat oven takana olevassa liitäntäpaneelissa (3).

Generaattorissa on integroitu akkulaturi siihen liitetyn akun lataamista varten.

## Liitäntärasian käyttölaitteet

Liitäntärasia on generaattorissa kotelon takana.

Kohta – kuva <b>2</b> , sivulla 3	Kuvaus	
1	Pääkytkin	Kytkee generaattorin käyttövalmiuteen tai pois käytöstä.
2	Akkukenkä akun plusna- paa varten	Liitäntä akun plusliittimeen.
3	Pääsulake	Laukeaa invertterin ylijännitteen tapauk- sessa
4	Akkulaturin sulake	Laukeaa akkulaturin ylijännitteen tapauk- sessa

## Käyttöelementit kaukosäätimessä

Kaukosäädin on kiinnitetty ajoneuvon sisään.

Kohta – kuva <b>3</b> , sivulla 4	Kuvaus	
1	Näyttö	Näyttää tilailmoituksia.
2	Päälle-/pois-kytkin "ϕ"	Kytkee käyttöpaneelin päälle ja pois, kun pääkytkin on asennossa "I" tai "1". Pysäyttää generaattorin hätätapauk- sessa.
3	Vihreä painike "START/STOP"	Käynnistää/pysäyttää generaattorin, kun käyttöpaneeli on kytkettynä päälle ja pää- kytkin on asennossa "I" tai "1".
4	Polttoaineen näyttö	Palaa, jos dieselpolttoaine on vähissä.
5	Öljynäyttö	Palaa, kun moottorin öljymäärä on liian vähäinen.



## Näytöt

Kohta – kuva 3, sivulla 4	Kuvaus	
6	Vaihtojännite.	Nykyinen lähtöjännite
7	Jatkuva teho	Liitettyjen sähkölaitteiden nykyinen teho
8	Käyttötunnit	Aika, jonka generaattori on toiminnassa
9	Tasajännite	Akkujännite
10	Ilmoitukset	Generaattorin tilailmoitus (katso kap. "Näyttöilmoitukset" sivulla 212)

## 8 Generaattorin käyttö



### **HUOMAUTUS!**

Älä kuormita generaattoria ensimmäisten 50 käyttötunnin (sisäänajovaiheen) aikana enempää kuin 70 % generaattorin jatkuvan tehon maksimistasosta.



### **OHJE**

Kuormita generaattoria sisäänajovaiheen jälkeen enintään kuormalla, joka on n. 75 % maksimaalisesta jatkuvasta tehosta. Näin voit pidentää generaattorin käyttöikä ja maksimoida sen suorituskyvyn.

## 8.1 Perustavanlaatuisia ohjeita käyttöön



### HUOMIO! Loukkaantumisvaara!

Älä työnnä sormia tai esineitä ilmasuuttimiin tai imuritulään.

Noudata seuraavia perustavanlaatuisia ohjeita:

- Generaattorissa on käytettävä talvidieseliä tai dieselöljyn joukkoon on lisättävä tietty prosenttiosuus bensiiniä (ks. seuraava taulukko), mikäli generaattoria käytetään matalissa lämpötiloissa (< 0 °C):

Ympäristön lämpötila	Kesädiesel	Talvidiesel
-10 ... 0 °C	20 %	–
-15 ... -10 °C	30 %	–
-20 ... -15 °C	30 %	20 %

- Tarkasta öljymäärä ennen jokaista käyttöä (kap. ”Öljymäärän tarkastaminen” sivulla 214).
- Myös vähäinen ylikuormitus johtaa jatkuessaan siihen, että generaattori pysähtyy.
- Anna generaattorin käydä käytön jälkeen ennen pysäyttämistä muutamia minutteja ilman, että sähkölaitteet ovat päällä.
- Ajoneuvon tiukat jarrutukset, kovat kiihdytykset ja ajo mutkissa voivat aiheuttaa generaattorin pumppujärjestelmään ongelmia ja johtaa sen kytkeytymiseen tahattomasti pois päältä.
- Jos et käytä generaattoria pidempään aikaan, käynnistä se vähintään 10 päivän välein ja anna sen käydä vähintään 15 minuuttia.

## 8.2 Generaattorin kytkeminen käyttövalmiuteen tai pois käytöstä

Generaattori kytketään käyttövalmiuteen tai pois käytöstä pääkytkimellä (kuva **2** 1, sivulla 3), joka on liitántärsiassa.

### 8.3 Käyttöpaneelin päälle ja pois kytkeminen

Käyttöpaneeli kytketään päälle ja pois päältä päälle-/pois-kytkimellä (kuva **3** 2, sivulla 4), joka sijaitsee käyttöpaneelissa.

- Kytke käyttöpaneeli päälle päälle-/pois-kytkimellä.
- ✓ Näytössä näkyy: *GEN OFF*.  
Näyttö sammuu 5 minuutin kuluttua automaattisesti, jos käynnistyspainiketta ei ole painettu tänä aikana.  
Voit kytkeä näytön takaisin päälle painamalla käynnistyspainiketta.
- ✓ Generaattori voidaan nyt käynnistää.

### 8.4 Generaattorin käynnistäminen

Generaattorin voi käynnistää vain, kun se on kytkettynä käyttövalmiuteen ja kun käyttöpaneeli on kytkettynä päälle.



#### **OHJE**

Jos generaattori on vielä lämmin, käynnistä se painamalla käynnistyspainiketta vain lyhyesti, kylmän generaattorin tapauksessa pidempään.

- Käynnistä generaattori vihreällä painikkeella "START/STOP" (kuva **3** 3, sivulla 4).

### 8.5 Generaattorin pysäyttäminen

- Pysäytä generaattori päälle-/pois-kytkimellä (kuva **3** 2, sivulla 3).  
Jos generaattori ei pysähdy: kytke se pois päätä pääkytkimellä (kuva **2** 1, sivulla 3).

## 8.6 Näyttöilmoitukset

Näyttöilmoitus Kuvaus	Generaattorin käyttäytymi- nen	Toimenpiteet
<b>LOW BATTERY</b> Akkujännite on laskenut alle vähimmäisarvon, jota käynnistysyrityksen suorittaminen edellyttää (9 V).	Generaattori ei käynnisty.	Lataa akku.
<b>TARKASTA ÖLJY</b>	Generaattori käy edelleen.	Lisää öljyä (katso kap. "Öljymäärän tarkastaminen" sivulla 214).
<b>OIL CHANGE</b> Käyttötuntien laskenta on saavuttanut öljynvaihdon ennalta asetetun arvon.	Generaattori käy edelleen.	Vaihda öljy (katso kap. "Öljynvaihto" sivulla 218). Häilytyksen nollaamiseksi käynnistä generaattori: paina "START/STOP"-painiketta ja pidä se painettuna.
<b>NO FUEL</b> Säiliön dieselpolttoaine on vähissä.	Generaattori käy edelleen.	Tankkaa.
<b>OIL TEMP PRESS</b> Moottorissa ei öljyä. Liian korkea moottorin lämpötila.	Generaattori pysähtyy.	Lisää öljyä (katso kap. "Öljymäärän tarkastaminen" sivulla 214).  Anna generaattorin jäähtyä, odota pari minuuttia, käynnistä generaattori sitten uudelleen.
<b>GENERATOR ALERT!</b> Yleinen hälytysilmoitus	Generaattori pysähtyy.	Tarkasta järjestelmä käyttämällä apuna taulukkoa "Häiriöt, syyt ja aputoimenpiteet". Käännä valmistajan omassa maassasi sijaitsevan toimipisteen puoleen, jos ongelma ei häviä (osoitteet takasivulla).
<b>OVERLOAD!</b> Sähkölaitteet synnyttävät ylikuorman lähtöpuolelle.	Inverteri kytkeytyy pois päältä, jolloin jännitettä ei enää anneta, mutta moottori käy edelleen kunnes samuu.	Pienennä liitettyä kuormaa ja käynnistä generaattori uudelleen.

Näyttöilmoitus Kuvaus	Generaattorin käyttäytymisen	Toimenpiteet
<b>SHORTCIRCUIT</b> Sähkölaitteet synnyttävät oikosulun lähtöpuolelle.	Invertteri kytkeytyy pois päältä, jolloin jännitettä ei enää anneta, mutta moottori käy edelleen kunnes sammutuu.	Tarkasta liitettyjen sähkölaitteiden kunto, käynnistä generaattori sitten uudelleen.
<b>OVER TEMPERATURE</b> Liian korkea invertterin lämpötila.	Invertteri kytkeytyy pois päältä, jolloin jännitettä ei enää anneta, mutta moottori käy edelleen generaattorin jäädyttämiseksi.	Anna generaattorin jäähtyä, odota pari minuuttia, käynnistä generaattori sitten uudelleen.
<b>LOW POWER ENGINE</b> Invertterin syöttöjännite pudonnut.	Generaattori pysähtyy.	Pienennä liitettyä kuormaa ja käynnistä generaattori uudelleen.
<b>GEN CAL</b> Ilmoitus, joka ilmestyy generaattorin käynnistyksen yhteydessä; se osoittaa kalibrointivaiheen, joka edeltää jokaista käynnistystä. Generaattori ei vielä anna jännitettä	Generaattori pyörii, mutta ei luo jännitettä.	Odota hetkinen.
<b>GEN WAIT</b> Ilmoitus, joka ilmestyy kahden käynnistysyrityksen välisen tauon aikana.	Generaattori on kytketty pois päältä.	Odota, että ilmoitus häviää, yritä sitten uutta käynnistystä.
<b>GEN ON</b> Generaattori toimii normaalisti.	Normaalikäyttö	–
<b>GEN OFF</b>	Generaattori on valmiustilassa, ja se voidaan käynnistää.	–

## 8.7 Öljymäärän tarkastaminen



### HUOMIO!

Kuuma öljy voi aiheuttaa palovammoja.  
Tarkasta öljyn määrä vain, kun generaattori on pois päältä.



### OHJE

Generaattorin täytyy olla vaakasuorassa.

Tarkasta öljymäärä ennen jokaista käyttöä. Toimi tätä varten seuraavasti:

- Avaa generaattorin luukku.
- Kytke generaattori pääkytkimellä (kuva **4** 1, sivulla 4) pois käytöstä.
- Irrota liitos syöttöakun plusnavasta.
- Vedä mittatikku (kuva **4** 2, sivulla 4) ulos täyttöistukasta (kuva **4** 3, sivulla 4).
- Puhdista mittatikku (kuva **4** 2, sivulla 4) rätillä.
- Työnnä mittatikku (kuva **4** 2, sivulla 4) kokonaan täyttöistukkaan (kuva **4** 3, sivulla 4).
- Vedä mittatikku (kuva **4** 2, sivulla 4) ulos täyttöistukasta
- Tarkasta, onko öljyn pinta loven (maksimimäärä) ja mittatikun kärjen välissä.  
Jos ei, lisää öljyä.
- Työnnä mittatikku (kuva **4** 2, sivulla 4) kokonaan täyttöistukkaan (kuva **4** 3, sivulla 4).
- Liitä generaattori syöttöakun plusnapaan.
- Kytke generaattori pääkytkimellä (kuva **4** 1, sivulla 4) käyttövalmiuteen.
- Sulje generaattorin luukku.

## 9 Generaattorin puhdistaminen



### **HUOMAUTUS! Vaurioitusvaara!**

- Älä puhdista generaattoria korkeapainepesurilla. Sisään tunkeutuva vesi voi vahingoittaa generaattoria.
- Älä käytä puhdistukseen teräviä tai kovia välineitä eikä puhdistusaineita, koska tämä voi johtaa generaattorin vahingoittumiseen.
- Käytä generaattorin puhdistamiseen ainoastaan vettä ja mieto puhdistusainetta. Älä käytä missään tapauksessa bensiniä, dieseliä tai liuottimia

- Puhdista generaattorin kotelo toisinaan kostealla rievulla.
- Poista likaantumat generaattorin tuuletusaukoista säännöllisesti. Huolehdi siitä, että generaattorin lamelleja ei tällöin vahingoiteta.

# 10 Generaattorin huoltaminen

## 10.1 Huoltotaulukko



### **VAROITUS!**

Jätä kaikki huoltotyöt ammattilaisille, jotka tuntevat asiaankuuluvat määräykset. Epäasianmukaisista huoltotoista saattaa aiheutua huomattavia vaaroja.



### **OHJE**

Suorituta seuraavat huoltotyöt ilmoitetuin välein tai kun ilmoitettu käyttötuntimäärä on saavutettu sen mukaan, kumpi saavutetaan ensin.

Väli	Tarkastus/huolto
Ensimmäisenä kuukautena tai 50 tunnin jälkeen	<ul style="list-style-type: none"> <li>➤ Vaihdata öljy.</li> </ul>
250 tunnin välein	<ul style="list-style-type: none"> <li>➤ Vaihdata öljy.</li> <li>➤ Teetä moottorin jäähdytysjärjestelmän puhdistus.</li> <li>➤ Teetä venttiilien välyksen ja ruuvien tarkastus. Teetä tarvittaessa venttiilien välyksen säätö ja ruuvien kiristys.</li> <li>➤ Teetä ilmansuodattimen tarkastus (kap. ”Ilmansuodattimen huoltaminen” sivulla 219).</li> </ul>
500 tunnin välein	<ul style="list-style-type: none"> <li>➤ Teetä ilmasuodattimen ja polttoainesuodattimen vaihto.</li> </ul>
Vuosittain tai 1000 tunnin välein	<ul style="list-style-type: none"> <li>➤ Teetä öljysuodattimen puhdistus.</li> </ul> <p>Seuraavat toimet täytyy teettää HATZin valtuuttamalla jälleenmyyjällä tai Dometicin kouluttamalla ammattilaisella:</p> <ul style="list-style-type: none"> <li>➤ Huollata ruiskutuspumppu.</li> <li>➤ Huollata tärinänvaimennin.</li> </ul>



## 10.2 Huoltotöiden valmisteleminen



### HUOMIO!

Noudata seuraavaa kaikissa huoltotöissä:

- Generaattori ei saa olla toiminnassa.
- Kaikkien osien täytyy olla jäähtynyt.

- Avaa generaattorin luukku.
- Kytke generaattori pääkytkimellä (kuva **2** 1, sivulla 3) pois käytöstä.
- Irrota liitos syöttöakun plusnavasta.

Generaattorin voi vetää pois paikaltaan huoltotöitä varten:



### VAROITUS!

Generaattorin peruslevy on hyvin painava (> 90 kg). Se voi pudota kotelosta, jos vedät sen liian pitkälle.

- Avaa kiinnitysruuvi (kuva **5** 1, sivulla 5).
- Vedä peruslevy (kuva **5** 2, sivulla 5) sekä generaattori ulos kotelosta.

## 10.3 Huoltotöiden päättäminen

- Liitä generaattori syöttöakun plusnapaan.
- Kytke generaattori pääkytkimellä (kuva **2** 1, sivulla 3) käyttövalmiuteen.
- Sulje generaattorin luukku.

## 10.4 Öljynvaihto

**HUOMIO!**

Kuuma öljy voi aiheuttaa palovammoja.

**HUOMAUTUS!**

Toimita käytetty öljy ehdottomasti erikoisyriyten hävitettäväksi tai käsiteltäväksi. Noudata kyseisen maan lakeja, jotka koskevat ympäristönsuojelua.

Voit käyttää seuraavia öljyjä:

- Seuraavien luokitusten mukainen öljy:
  - CCMC D4, D5, PD
  - API CD, CE, CF, CG
  - SHPD
- Seuraavien SAE-luokitusten mukainen öljy:
  - 5W-30
  - 5W-40
  - 100W
  - 100W-30 (suositus)
  - 10W-30
  - 15W-30
  - 30
  - 40
- Viskositeetiltaan yksiasteinen öljy:  
Valitse sopiva viskositeetti paikan keskilämpötilasta riippuen.

Näin vaihdat öljyn (kuva **6**, sivulla 5):

- Anna generaattorin käydä lämpimäksi kolmesta viiteen minuuttia, jotta öljy muuttuu juoksevammaksi ja valuu pois nopeammin ja täydellisemmin.
- Vedä mittatikku (1) ulos täyttöliitännästä (2).
- Sijoita sopiva astia (4) öljyletkun (5) lähelle.
- Avaa letkunkiristin (3).
- Poista öljyletku (5) ja anna öljyn valua astiaan (4).
- Asenna öljyletku (5) letkun liitäntäkappaleen päälle.
- Kiinnitä öljyletku (5) letkunkiristimellä (3).

- Lisää uutta öljyä täyttöliitännästä (2).  
Öljyn maksimimäärä on 1,1 l.  
Öljyn pinnan tulee olla mittatikun (1) maksimimäärän ja minimimäärän merkkilovien välissä.
- Työnnä mittatikku (1) perille saakka täyttöliitännään (2).

## 10.5 Polttoainesuodattimen vaihto



### **HUOMAUTUS!**

Varjele ympäristöä hävittämällä ulos valuva polttoaine käyttömaassa voimassa olevan lainsäädännön mukaisesti.

Generaattorissa on kaksi polttoainesuodatinta (kuva **7** 2 ja 4, sivulla 6).

- Aseta sopiva astia polttoainesuodatinten (kuva **7** 2 ja 4, sivulla 6) alle.
- Avaa kiinnittimiä (kuva **7** 1 ja 3, sivulla 6).
- Poista polttoainesuodatin ja asenna sen tilalle uusi suodatin.
- Kiristä kiinnittimet alkuperäiseen kireyteen.

## 10.6 Ilmansuodattimen huoltaminen



### **VAROITUS! Räjähdyksivaara!**

Älä käytä ilmansuodattimen puhdistukseen dieselöljyä tai liuotainetta, jonka haihtumispiste on matala. Nämä voivat syttyä tai räjähtää.



### **HUOMIO!**

Käytä hengityssuojainta ja suojalaseja.



### **HUOMAUTUS!**

Älä anna moottorin koskaan käydä ilman ilmansuodatinta. Muuten moottori kuluu nopeasti.



### **OHJE**

Jos ilmansuodatin on likaantunut, ilman virtaus moottoriin vähenee. Jotta moottori toimisi hyvin, suodattimen kunto tulisi tarkastaa säännöllisesti. Tarkasta se vastaavasti useammin, jos generaattoria käytetään erityisen pölyisessä ympäristössä.

Tarkasta ja vaihda ilmansuodatin seuraavien ohjeiden mukaisesti (kuva **8**, sivulla 6):

- Poista kiinnityskansi (1) ja suodattimen suojus (2).
- Irrota pyälletty mutteri (3).
- Poista ilmansuodatin (4).
- Tarkasta ilmansuodattimen (4) kunto huolellisesti.  
Valaise ilmansuodatinta sisustaa lampulla ja tarkasta, onko paperikalvo vaurioitunut.  
Vaihda ilmansuodatin:
  - jos suodatin on vaurioitunut.
  - jos suodattimessa on kosteaa tai öljymäistä likaa.
- Puhdista ehjä ilmansuodatin kuivasta liasta.  
Puhdista ilmansuodatin kuivalla paineilmalla (älä käytä paineilmasuodattimia, joiden paine on yli 2 – 2,5 bar): Suuntaa paineilmasuihku suodattimen sisäpuolelta ulospäin ja suihkuta paineilmaa siihen saakka, kunnes pöly on poistunut kokonaan suodattimesta.
- Puhdista suodattimen suojus (2).
- Asenna ilmansuodatin (4) paikalleen.
- Kiinnitä pyälletty mutteri (3).
- Sijoita suodattimen suojus (2) takaisin paikalleen.
- Kiinnitä suodattimen suojus (2) kiinnityskannella (1).

# 11 Häiriöiden poistaminen

Häiriö	Syy	Poistaminen
Käyttöpaneeli ei käynnisty päälle-/pois-kytkintä painettaessa.	Käynnistysakku tyhjä.	➤ Lataa käynnistysakku.
	Sähköjohto poikki tai pistoke irti.	➤ Käänny valtuutetun korjaamon puoleen.
	Sulake (jos sellainen on) on palanut.	
Starttimoottori ei pyöri, vaikka käynnistyspainiketta painetaan.	Käynnistysakku tyhjä.	➤ Lataa käynnistysakku.
	Pääkytkin on asennossa "0".	➤ Aseta pääkytkin asentoon "I" tai "1".
	Piirilevy vioittunut. Starttimoottori ei saa virtaa.	➤ Käänny valtuutetun korjaamon puoleen.
Starttimoottori pyörii mutta generaattori ei käynnisty.	Ruiskutussuuttimet likaisia. Moottori viallinen.	➤ Käänny valtuutetun korjaamon puoleen.
Generaattori pyrkii sammumaan.	Moottorissa on liikaa öljyä.	➤ Laske öljyä pois (ks. kap. "Öljynvaihto" sivulla 218).
	Liian suuri kuorma.	➤ Kytke sähköllä toimivia laitteita pois.
	Ilmanimu tukossa.	➤ Teetä ilmansuodattimen tarkastus (ks. kap. "Ilmansuodattimen huoltaminen" sivulla 219).
	Invertteri vaurioitunut.	➤ Käänny valtuutetun korjaamon puoleen.
	Häiriö ruiskutuspumppun virransyötössä. Ruiskutussuuttimet likaisia.	
Generaattori on käynnistynyt, mutta ei luo jännitettä.	Invertteri vaurioitunut.	➤ Käänny valtuutetun korjaamon puoleen.
	Sähköliitännät on yhdistetty virheellisesti.	➤ Tarkasta sähköiset johdotukset.

Häiriö	Syy	Poistaminen
Luotu jännite on epävakaa.	Liian suuri kuorma.	➤ Kytke sähköllä toimivia laitteita pois.
	Ilmanimu tukossa.	➤ Teetä ilmansuodattimen tarkastus (ks. kap. "Ilmansuodattimen huoltaminen" sivulla 219).
	Invertteri vaurioitunut.	➤ Käännä valtuutetun korjaamon puoleen.
	Häiriö ruiskutuspumppun virransyötössä.	
	Ruiskutussuuttimet likaisia.	
Akkulaturi ei syötä jännitettä.	Akkulaturin sulake viallinen.	➤ Vaihda sulake.

## 12 Tuotevastuu

Laitetta koskee lakisääteinen tuotevastuu-aika. Jos tuote sattuu olemaan viallinen, käänny maasi sopimushuollon puoleen (osoitteet käyttöohjeen takasivulla).

Asiantuntijamme auttavat sinua ja neuvovat sinua tuotevastuun jatkokomenteleyn suhteen.

## 13 Hävittäminen

- Vie pakkausmateriaali mahdollisuuksien mukaan vastaavan kierrätysjätteen joukkoon.



Jos poistat tuotteen lopullisesti käytöstä, pyydä tietoa sen hävittämisestä koskevista määräyksistä lähimmästä kierrätyskeskuksesta tai ammattiliikkeestäsi.




### Muista ympäristönsuojelu!

Akut ja paristot eivät kuulu kotitalousjätteen sekaan.

Toimita vialliset akut tai käytetyt paristot kauppiaille tai keräyspisteeseen.

## 14 Tekniset tiedot

	<b>Dometic TEC40D</b>
Tuotenro:	9102900201
Lähtönimellisjännite:	230 V~ / 50 Hz
Maks. jatkuva teho (kun 25 °C merenpinnan tasolla):	3500 W
Akkulaturin lähtöjännite:	12 V===
Akkulaturin maks. lähtövirta:	60 A
Käyttölämpötila-alue:	-15 °C ... +50 °C
Polttoaine:	standardin EN 590 mukainen dieselpolttoaine
Moottori:	Hatz (1 B 30V)
Kulutus:	maks. 1,4 l/h
Moottorin teho:	4,7 kW (6,4 hv)
Maks. kierrosluku:	3300 min <sup>-1</sup>
Moottoriöljy:	1,1 l
Melutaso:	89 dB(A)
Melutaso 7 m etäisyydellä:	64 dB(A)
Mitat:	ks. kuva <b>9</b> , sivulla 7
Paino:	96,5 kg
Tarkastus/sertifikaatti:	

**Por favor, leia atentamente este manual antes da colocação em funcionamento do aparelho e guarde-o em local seguro. Em caso de transmissão do produto, entregue o manual ao novo utilizador.**

## Índice

1	Explicação dos símbolos . . . . .	225
2	Indicações de segurança . . . . .	226
3	Destinatários do presente manual . . . . .	228
4	Material fornecido . . . . .	228
5	Acessórios . . . . .	228
6	Utilização adequada . . . . .	229
7	Descrição técnica . . . . .	229
8	Operar o gerador . . . . .	231
9	Limpar o gerador . . . . .	237
10	Manutenção do gerador . . . . .	238
11	Eliminar falhas . . . . .	243
12	Garantia . . . . .	244
13	Eliminação . . . . .	244
14	Dados técnicos . . . . .	245



# 1 Explicação dos símbolos

**AVISO!**

**Indicação de segurança:** o incumprimento pode provocar a morte ou ferimentos graves.

**PRECAUÇÃO!**

**Indicação de segurança:** o incumprimento pode provocar ferimentos.

**NOTA!**

O incumprimento pode causar danos materiais e pode prejudicar o funcionamento do produto.

**OBSERVAÇÃO**

Informações suplementares sobre a operação do produto.

- **Acção:** este símbolo indica que há uma acção a realizar. As acções necessárias são descritas passo a passo.
- ✓ Este símbolo descreve o resultado de uma acção.

**Fig. 1 5, página 3:** esta informação refere-se a um elemento presente na figura, neste exemplo para a “posição 5 na figura 1 da página 3”.

## 2 Indicações de segurança

O fabricante não se responsabiliza por danos nos seguintes casos:

- Danos no produto resultantes de influências mecânicas e sobretensões
- Alterações ao produto sem autorização expressa do fabricante
- Utilização para outras finalidades que não as descritas no manual de instruções

O mesmo não se responsabiliza em caso de danos recorrentes, sobretudo danos recorrentes que possam ocorrer devido a falhas de funcionamento do gerador.

Tenha em atenção as seguintes medidas de segurança fundamentais na utilização de aparelhos elétricos para a proteção contra:

- choque elétrico
- perigo de incêndio
- ferimentos

### 2.1 Princípios básicos de segurança



#### PERIGO!

- **Não** opere o aparelho em espaços em que exista perigo de explosão.



#### AVISO!

- **Os aparelhos elétricos não são um brinquedo!**  
As crianças não conseguem avaliar adequadamente os perigos decorrentes dos equipamentos elétricos. Não permita que as crianças utilizem equipamentos elétricos sem supervisão.
- Este aparelho pode ser utilizado por crianças a partir dos 8 anos, assim como por pessoas com capacidades físicas, sensoriais ou mentais reduzidas e/ou com insuficiente experiência e conhecimento, quando supervisionadas ou quando tenham recebido informação acerca da utilização segura do aparelho e tenham compreendido os perigos dele resultantes.
- Utilize o aparelho apenas para a utilização adequada.
- Não deve executar quaisquer alterações ou modificações no aparelho!

- A instalação, a manutenção e as reparações no gerador apenas devem ser realizadas por técnicos especializados que estão familiarizados com os perigos inerentes durante o manuseamento do gerador ou com as normas em vigor. As reparações inadequadas podem levar a perigos graves. Em caso de reparações, entre em contacto com a filial do fabricante no seu país (endereços no verso).
- Ao realizar trabalhos de manutenção, identifique a área em redor do aparelho e bloqueie o acesso às áreas cuja ativação conduza a perigos.
- Os gases de escape contêm monóxido de carbono, um gás extremamente tóxico, incolor e inodoro. Os gases de escape não devem ser inalados. Não deixe o motor do gerador a trabalhar numa garagem fechada ou numa sala sem janelas.



### **PRECAUÇÃO!**

- O gerador apenas pode ser utilizado com a tampa de inspeção fechada.
- Remova das imediações do gerador todos os materiais inflamáveis, tais como gasolina, tintas, solventes, etc.
- Certifique-se de que as partes quentes do gerador não entram em contacto com materiais facilmente inflamáveis.
- Abasteça o gerador num espaço bem ventilado e apenas quando está desligado. O gasóleo é altamente inflamável e pode explodir.
- Não abasteça o gerador com o motor do veículo ligado se o depósito estiver perto do motor do veículo.
- Se derramar gasóleo, limpe-o bem e, antes de ligar o motor, aguarde até que os vapores deixem de ser libertados.
- Não toque no gerador nem nos cabos com as mãos molhadas.
- Apenas substitua os fusíveis por outros com as mesmas características técnicas.



### **NOTA!**

- Não abasteça o depósito em demasia. No gargalo do depósito não deve existir combustível. Verifique se o tampão está bem fechado.

## 2.2 Segurança durante a utilização do aparelho



### AVISO!

- Para realizar trabalhos no aparelho, deve interromper sempre a alimentação de corrente.



### NOTA!

- Utilize o aparelho apenas quando o corpo e os cabos não apresentem danos.

## 3 Destinatários do presente manual

Este manual de instruções destina-se ao utilizador do gerador.

## 4 Material fornecido

Designação	Número de artigo
Gerador TEC40D	9102900201
Controlo remoto	
Conduta de gases de escape, 2 m	
Material de fixação para o silenciador	
Cabo de conexão	
AG 102, relé de comutação para estabelecer uma ligação de prioridade	
Material de fixação	
Manual de montagem	
Manual de instruções	

## 5 Acessórios

Disponível como acessório (não incluído no material fornecido):

Designação das peças	Número de artigo
PR 25044, conjunto de vedações externas	9102900174

## 6 Utilização adequada

O gerador TEC40D (n.º art. 9102900201) está concebido para uso em caravanas, auto-caravanas e veículos comerciais.

O gerador **não** é adequado para ser instalado em embarcações.

O gerador produz uma tensão alternada sinusoidal pura de 230 V/50 Hz, à qual se podem conectar consumidores com uma carga total constante de 3500 W. A qualidade da corrente também é apropriada para consumidores sensíveis (p.ex. PC).

O gerador pode carregar uma bateria de 12 V.

## 7 Descrição técnica

O gerador é composto pelos seguintes elementos principais (fig. **1**, página 3):

- Gerador de corrente alternada (**1**)
- Motor endotérmico (**2**)
- Painel de conexão (**3**)
- Inversor (**4**)
- Controlo remoto (**5**)

O motor endotérmico (**2**) coloca em rotação o gerador de corrente alternada (**1**) a ele conectado, o qual, por sua vez, gera uma tensão alternada.

O inversor integrado (**4**) converte esta tensão alternada numa tensão estável de 230 V e 50 Hz, disponível nos bornes do inversor. No inversor está instalada a tomada para o cabo de conexão do controlo remoto (**5**).

No painel de conexão (**3**) localizado atrás da porta encontram-se os terminais de conexão e o interruptor principal.

O gerador possui um carregador de baterias integrado para carregar a bateria conectada.

## Elementos de comando na caixa de conexão

A caixa de conexão encontra-se no gerador por detrás da cobertura.

Pos. na fig. <b>2</b> , página 3	Descrição	
1	Botão principal	Liga ou desliga o gerador.
2	Terminal de conexão para polo positivo da bateria	Conexão ao borne positivo da bateria.
3	Fusível principal	Dispara caso o inversor apresente excesso de tensão
4	Fusível do carregador da bateria	Dispara caso o carregador de bateria apresente excesso de tensão

## Elementos de comando no controlo remoto

O controlo remoto está instalado no interior do veículo.

Pos. na fig. <b>3</b> , página 4	Descrição	
1	Mostrador	Exibe mensagens de estado.
2	Interruptor para ligar/desligar “0”	Liga e desliga o painel de comando quando o interruptor principal está em “1” ou “1”. Para o gerador em caso de emergência.
3	Botão verde “START/STOP”	Coloca o gerador a trabalhar ou para o gerador quando o painel de comando está ligado e o interruptor principal se encontra em “1” ou “1”.
4	Indicador de combustível	Acende quando o gasóleo está na reserva.
5	Indicação do nível do óleo	Acende quando o nível do óleo está demasiado baixo.

## Indicações do mostrador

Pos. na fig. 3, página 4	Descrição	
6	Tensão alternada	Tensão de saída atual
7	Potência contínua	Potência atual dos consumidores conectados
8	Horas de funcionamento	Tempo durante o qual o gerador esteve a trabalhar
9	Tensão contínua	Tensão da bateria
10	Mensagens	Mensagem de estado do gerador (ver capítulo "Mensagens no mostrador" na página 234)

## 8 Operar o gerador



### **NOTA!**

Nas primeiras 50 horas de funcionamento (fase inicial), não utilize o gerador a mais de 70 % da sua potência contínua máxima.



### **OBSERVAÇÃO**

Após a fase inicial, não utilize o gerador a mais de aprox. 75 % da sua potência contínua máxima.

Deste modo pode prolongar a vida útil do gerador, bem como maximizar o seu rendimento.

## 8.1 Indicações básicas relativas à operação



### **PRECAUÇÃO! Perigo de ferimentos!**

Não introduza as mãos ou objetos nos bocais de ar nem da grelha de aspiração.

Preste atenção às seguintes indicações básicas:

- Se operar o gerador a temperaturas baixas ( $< 0\text{ }^{\circ}\text{C}$ ), terá de utilizar gasóleo para inverno ou adicionar ao gasóleo uma percentagem de gasolina, de acordo com a seguinte tabela:

Temperatura ambiente	Gasóleo para verão	Gasóleo para inverno
-10 bis $0\text{ }^{\circ}\text{C}$	20 %	–
-15 bis $-10\text{ }^{\circ}\text{C}$	30 %	–
-20 bis $-15\text{ }^{\circ}\text{C}$	30 %	20 %

- Antes de cada utilização, verifique o nível do óleo (capítulo “Controlar o nível do óleo” na página 236).
- Mesmo pequenas sobrecargas levam a que, com o tempo, o gerador deixe de trabalhar.
- Depois de utilizar o gerador, deixe-o a trabalhar por alguns segundos sem consumidores ligados antes de o desligar.
- Travagens bruscas, acelerações e condução em trajetos com curvas podem causar problemas no sistema de bomba do gerador e provocar uma desativação indesejada.
- Se não utilizar o gerador durante muito tempo, ligue-o, pelo menos, de 10 em 30 dias e deixe-o a trabalhar, no mínimo, 15 minutos.

## 8.2 Colocar o gerador em modo operacional ou sem função

O gerador é ligado ou desligado através do botão principal (fig. **2** 1, página 3) localizado na caixa de conexão.



### 8.3 Ligar e desligar o painel de comando

O painel de comando é ligado e desligado através do botão para ligar/desligar (fig. **3** 2, página 4) localizado no painel de comando.

▶ Ligue o painel de comando através do botão para ligar/desligar.

✓ O mostrador apresenta: *GEN OFF*.

O mostrador desliga-se automaticamente após 5 minutos se durante esse espaço de tempo não tiver sido acionado o botão de arranque.

Ao pressionar o botão de arranque, o mostrador volta a ligar-se.

✓ O gerador pode agora ser colocado a trabalhar.

### 8.4 Colocar o gerador a trabalhar

O gerador apenas pode ser colocado a trabalhar quando está operacional e o painel de comando estiver ligado.



#### **OBSERVAÇÃO**

Quando o gerador ainda está quente, basta pressionar brevemente o botão de arranque para ligá-lo, quando o gerador está frio é necessário pressionar o botão durante mais tempo.

▶ Coloque o gerador a trabalhar com o botão verde “START/STOP” (fig. **3** 3, página 4).

### 8.5 Parar o gerador

▶ Pare o gerador com o botão de ligar/desligar (fig. **3** 2, página 3).

Se o gerador não parar: desligue-o através do botão principal (fig. **2** 1, página 3).

## 8.6 Mensagens no mostrador

Mensagem no mostrador Descrição	Comportamento do gerador	Medidas
<b>LOW BATTERY</b> A tensão da bateria desceu abaixo do valor mínimo necessário para proceder a tentativas de arranque (9 V).	O gerador não arranca.	Carregar a bateria.
<b>CHECK OIL LEVEL</b>	O gerador continua a trabalhar.	Reabastecer óleo (ver capítulo "Controlar o nível do óleo" na página 236).
<b>OIL CHANGE</b> As horas de funcionamento atingiram o valor estabelecido para a mudança do óleo do motor.	O gerador continua a trabalhar.	Proceder à mudança do óleo (ver capítulo "Mudar o óleo" na página 240). Para repor o alarme, inicie o gerador, prima o botão "START/STOP" e mantenha-o premido.
<b>NO FUEL</b> O gasóleo no depósito está na reserva.	O gerador continua a trabalhar.	Abastecer.
<b>OIL TEMP PRESS</b> Falta óleo no motor. Temperatura do motor demasiado elevada.	O gerador para.	Reabastecer óleo (ver capítulo "Controlar o nível do óleo" na página 236). Deixar o gerador arrefecer, aguardar alguns minutos, depois voltar a colocar o gerador a trabalhar.
<b>GENERATOR ALERT!</b> Mensagem de alarme geral	O gerador para.	Verificar o sistema com a ajuda da tabela de avarias, causas e soluções. Caso o problema não possa ser resolvido, entre em contacto com a filial do fabricante no seu país (endereços no verso).
<b>OVERLOAD!</b> Os consumidores geram uma sobrecarga na saída.	O inversor desliga-se e, por isso, deixa de ser transmitida tensão, mas o motor continua a trabalhar até ir abaixo.	Diminuir a carga e voltar a colocar o gerador a trabalhar.

<b>Mensagem no mostrador</b> <b>Descrição</b>	<b>Comportamento do gerador</b>	<b>Medidas</b>
<b>SHORT CIRCUIT</b> Os consumidores geram um curto-circuito na saída.	O inversor desliga-se e, por isso, deixa de ser transmitida tensão, mas o motor continua a trabalhar até ir abaixo.	Controlar o estado dos consumidores, depois voltar a colocar o gerador a trabalhar.
<b>OVER TEMPERATURE</b> Temperatura do inversor demasiado elevada.	O inversor desliga-se e, por isso, deixa de ser transmitida tensão, mas o motor continua a trabalhar para arrefecer o gerador.	Deixar o gerador arrefecer, aguardar alguns minutos, depois voltar a colocar o gerador a trabalhar.
<b>LOW POWER ENGINE</b> Queda da tensão de alimentação do inversor.	O gerador para.	Diminuir a carga e voltar a colocar o gerador a trabalhar.
<b>GEN CAL</b> Mensagem exibida durante o arranque do gerador; mostra a fase de calibração que antecede cada arranque. O gerador ainda não gera tensão.	O gerador roda mas não gera tensão.	Aguardar um momento.
<b>GEN WAIT</b> Mensagem exibida durante o intervalo entre duas tentativas de arranque.	O gerador está desligado.	Aguardar até a mensagem apagar, depois tentar novamente o arranque.
<b>GEN ON</b> Funcionamento normal do gerador.	Funcionamento normal	–
<b>GEN OFF</b>	O gerador encontra-se no modo de standby e pode ser colocado a trabalhar.	–

## 8.7 Controlar o nível do óleo



### PRECAUÇÃO!

O óleo quente pode provocar queimaduras.  
Verifique o nível do óleo apenas com o gerador desligado.



### OBSERVAÇÃO

O gerador deve estar na horizontal.

Antes de cada utilização, verifique o nível do óleo. Para esse efeito, proceda do seguinte modo:

- Abra a tampa do gerador.
- Desligue o gerador com o botão principal (fig. 4 1, página 4).
- Separe a conexão do polo positivo da bateria de alimentação.
- Puxe a vareta de medição (fig. 4 2, página 4) do bocal de enchimento (fig. 4 3, página 4).
- Limpe a vareta de medição (fig. 4 2, página 4) com um pano.
- Insira a vareta de medição (fig. 4 2, página 4) totalmente no bocal de enchimento (fig. 4 3, página 4).
- Puxe a vareta de medição (fig. 4 2, página 4) do bocal de enchimento.
- Verifique se o nível do óleo se encontra entre a marca (nível de enchimento máximo) e a ponta da vareta de medição.  
Caso tal não se verifique, reabasteça óleo.
- Insira a vareta de medição (fig. 4 2, página 4) totalmente no bocal de enchimento (fig. 4 3, página 4).
- Conete o gerador ao polo positivo da bateria de alimentação.
- Com o botão principal (fig. 4 1, página 4), coloque o gerador em estado operacional.
- Feche a tampa do gerador.

## 9 Limpar o gerador

**NOTA! Perigo de danificação!**

- Nunca limpe o gerador com uma pistola de alta pressão. A penetração de água pode danificar o gerador.
- Não utilize objetos afiados ou duros ou agentes de limpeza para a limpeza, uma vez que podem causar danos no gerador.
- Para a limpeza do gerador, utilize exclusivamente água com um detergente suave. Nunca utilize gasolina, gásóleo ou solventes.

- Caso necessário, limpe o corpo do gerador com um pano húmido.
- Remova com regularidade a sujidade das aberturas de ventilação do gerador. Preste a atenção para não danificar as lâminas de ventilação do gerador durante a limpeza.

# 10 Manutenção do gerador

## 10.1 Tabela de manutenção



### AVISO!

Delegue todos os trabalhos de manutenção a pessoal devidamente especializado que conheça as normas em vigor. Os trabalhos de manutenção inadequados podem provocar perigos graves.



### OBSERVAÇÃO

Solicite os seguintes trabalhos de manutenção nos intervalos estipulados ou conforme o número de horas de funcionamento indicadas, consoante o que ocorrer primeiro.

Intervalo	Verificação/manutenção
No primeiro mês ou após 50 horas	<ul style="list-style-type: none"> <li>➤ Mudar o óleo.</li> </ul>
A cada 250 horas	<ul style="list-style-type: none"> <li>➤ Mudar o óleo.</li> <li>➤ Limpar os sistema de refrigeração do motor.</li> <li>➤ Controlas as folgas das válvulas e os parafusos. Ajustar as folgas das válvulas e apertar os parafusos, se necessário.</li> <li>➤ Controlar o filtro de ar (capítulo “Conservar o filtro de ar” na página 241).</li> </ul>
A cada 500 horas	<ul style="list-style-type: none"> <li>➤ Substituir o filtro de ar e o filtro de combustível.</li> </ul>
Todos os anos ou após 1000 horas	<ul style="list-style-type: none"> <li>➤ Limpar o filtro de óleo.</li> </ul> <p>É necessário incumbir um revendedor autorizado da HARZ ou um técnico formado pela Dometic da execução do seguinte:</p> <ul style="list-style-type: none"> <li>➤ Conservar a bomba injetora do gasóleo.</li> <li>➤ Conservar os amortecedores de vibrações.</li> </ul>

## 10.2 Preparar os trabalhos de manutenção



### PRECAUÇÃO!

Em todos os trabalhos de manutenção tenha atenção:

- O gerador não deve estar em funcionamento.
- Todas as peças devem estar frias.

- Abra a tampa do gerador.
- Desligue o gerador com o botão principal (fig. **2** 1, página 3).
- Separe a conexão do polo positivo da bateria de alimentação.

O gerador pode ser retirado para realizar os trabalhos de manutenção:



### AVISO!

A placa de suporte do gerador é bastante pesada (> 90 kg) e pode cair do corpo se for extraída em demasia.

- Soltar os parafusos de fixação (fig. **5** 1, página 5).
- Puxar a placa de suporte (fig. **5** 2, página 5) juntamente com o gerador para fora do corpo.

## 10.3 Concluir os trabalhos de manutenção

- Conete o gerador ao polo positivo da bateria de alimentação.
- Com o botão principal (fig. **2** 1, página 3), coloque o gerador em estado operacional.
- Feche a tampa do gerador.

## 10.4 Mudar o óleo



### PRECAUÇÃO!

O óleo quente pode provocar queimaduras.



### NOTA!

O óleo usado deve ser obrigatoriamente entregue a empresas especializadas para ser eliminado ou reciclado e as leis relativas à proteção do meio ambiente vigentes no país em causa devem ser respeitadas.

Podem ser utilizados os seguintes óleos:

- Óleo com as propriedades:
  - CCMC D4, D5, PD
  - API CD, CE, CF, CG
  - SHPD
- Óleo das classes SAE:
  - 5W-30
  - 5W-40
  - 100W
  - 100W-30 (recomendado)
  - 10W-30
  - 15W-30
  - 30
  - 40
- Óleo mono graduado:  
Selecione a viscosidade adequada em função da temperatura média do local.

O óleo muda-se da seguinte maneira (fig. **6**, página 5):

- Deixe o gerador a trabalhar durante três a cinco minutos para aquecer, para que o óleo fique mais fino, acabando por escoar mais rapidamente e por completo.
- Puxe a vareta de medição (1) do bocal de enchimento (2).
- Coloque um recipiente adequado (4) próximo do tubo do óleo (5).
- Solte a braçadeira (3).
- Retire o tubo do óleo (5) e deixe escorrer o óleo para o recipiente (4).
- Coloque o tubo do óleo (5) sobre a peça de conexão do tubo.



- Fixe o tubo do óleo (5) com a braçadeira (3).
- Coloque óleo limpo no bocal de enchimento (2).  
A máxima quantidade de óleo é de 1,1 l.  
O nível do óleo tem de se encontrar entre as marcas máxima e mínima da vareta de medição (1).
- Insira a vareta de medição (1) totalmente no bocal de enchimento (2).

## 10.5 Substituir o filtro de combustível



### **NOTA!**

Eliminar o combustível derramado em conformidade com a legislação vigente no país em matéria de proteção ambiental.

Estão disponíveis dois filtros de combustível (fig. 7 2 e 4, página 6) no gerador.

- Colocar um recipiente adequado por baixo do filtro de combustível (fig. 7 2 e 4, página 6).
- Soltar ligeiramente as braçadeiras de fixação (fig. 7 1 e 3, página 6).
- Retirar o filtro de combustível e colocar um novo.
- Apertar novamente as braçadeiras de fixação.

## 10.6 Conservar o filtro de ar



### **AVISO! Perigo de explosão!**

Para limpar o filtro de ar, nunca utilize gasóleo ou solventes com um baixo ponto de evaporação. Estes podem inflamar e explodir.



### **PRECAUÇÃO!**

Utilize uma máscara respiratória e óculos de proteção.



### **NOTA!**

Nunca deixe o motor a trabalhar sem o filtro de ar. Caso contrário, o motor fica sujeito a um desgaste prematuro.

**OBSERVAÇÃO**

Se o filtro de ar estiver sujo, o fluxo de ar para o motor diminui. Para que o motor funcione corretamente, é necessário verificar regularmente o estado do filtro. Se o gerador for utilizado num ambiente especialmente poluído, torna-se necessário verificar o estado do filtro com mais frequência.

Verifique e substitua o filtro do ar da seguinte maneira (fig. **8**, página 6):

- ▶ Retire a tampa de fixação (1) e a cobertura do filtro (2).
- ▶ Retire a porca serrilhada (3).
- ▶ Remova o filtro do ar (4).
- ▶ Controle minuciosamente o estado do filtro do ar (4):  
Com uma lâmpada ilumine o filtro do ar e verifique se a membrana de papel se encontra danificada.  
Substitua o filtro do ar:
  - quando estiver danificado
  - quando estiver sujo de impurezas húmidas ou oleosas
- ▶ Limpe o filtro do ar que não apresenta danos de impurezas secas.  
Limpe o filtro do ar com ar comprimido seco (não utilize bocais de ar comprimido com uma pressão superior a 2 até 2,5 bar): Sopre o ar comprimido de dentro para fora, até que o pó seja totalmente retirado.
- ▶ Limpe a cobertura do filtro (2).
- ▶ Coloque o filtro do ar (4).
- ▶ Fixe a porca serrilhada (3).
- ▶ Volte a colocar a cobertura do filtro (2).
- ▶ Fixe a cobertura do filtro (2) com a tampa de fixação (1).

# 11 Eliminar falhas

Falha	Causa	Eliminação
O painel de comando não acende quando o botão para ligar/desligar é pressionado.	Bateria de arranque descarregada.	➤ Carregue a bateria de arranque.
	Cabo de corrente interrompido ou ficha retirada.	➤ Entre em contacto com uma oficina qualificada devidamente autorizada.
	Fusível (se disponível) disparou.	
Ao pressionar o botão de arranque, o motor de arranque não trabalha.	Bateria de arranque descarregada.	➤ Carregue a bateria de arranque.
	O botão principal está em "0".	➤ Coloque o interruptor principal em "1" ou "1".
	Placa de circuito impresso danificada.	➤ Entre em contacto com uma oficina qualificada devidamente autorizada.
	O motor de arranque não recebe corrente.	
O motor de arranque trabalha, mas o gerador não arranca.	A válvula injetora está suja.	➤ Entre em contacto com uma oficina qualificada devidamente autorizada.
	O motor está com defeito.	
O gerador tende a ir abaixo.	Óleo em excesso no motor.	➤ Deixe escoar óleo (ver capítulo "Mudar o óleo" na página 240).
	Carga demasiado elevada.	➤ Desconete os consumidores.
	Aspiração de ar obstruída.	➤ Controle o filtro de ar (ver capítulo "Conservar o filtro de ar" na página 241).
	Inversor danificado.	➤ Entre em contacto com uma oficina qualificada devidamente autorizada.
	Anomalia na fonte de alimentação da bomba de injeção.	
	A válvula injetora está suja.	
O gerador arrancou mas não gera tensão.	Inversor danificado.	➤ Entre em contacto com uma oficina qualificada devidamente autorizada.
	As ligações elétricas não estão corretas.	➤ Verifique as ligações elétricas.

Falha	Causa	Eliminação
A tensão gerada é instável.	Carga demasiado elevada.	➤ Desconete os consumidores.
	Aspiração de ar obstruída.	➤ Controle o filtro de ar (ver capítulo "Conservar o filtro de ar" na página 241).
	Inversor danificado.	➤ Entre em contacto com uma oficina qualificada devidamente autorizada.
	Anomalia na fonte de alimentação da bomba de injeção.	
	A válvula injetora está suja.	
O carregador de baterias não fornece tensão.	Fusível do carregador da bateria danificado.	➤ Substitua o fusível.

## 12 Garantia

É válido o prazo de garantia legal. Se o produto estiver com defeito, por favor, dirija-se à assistência técnica do seu país (endereço, ver verso do manual).

Os nossos técnicos têm todo o gosto em ajudá-lo e aconselhá-lo durante o processo dos direitos de garantia.

## 13 Eliminação

- Sempre que possível, coloque o material de embalagem no respectivo contentor de reciclagem.



Para colocar o aparelho definitivamente fora de funcionamento, por favor, informe-se junto do centro de reciclagem mais próximo ou revendedor sobre as disposições de eliminação aplicáveis.





### Proteja o meio ambiente!

As baterias e pilhas não devem ser eliminadas em conjunto com o lixo doméstico.

Entregue as baterias e pilhas danificadas ou gastas no ponto de compra ou num pilhão.

## 14 Dados técnicos

	<b>Dometic TEC40D</b>
N.º art.:	9102900201
Tensão de saída nominal:	230 V~ /50 Hz
Potência contínua máx. (a 25 °C ao nível do mar):	3500 W
Tensão de saída do carregador de baterias:	12 V===
Corrente de saída máx. do carregador de baterias:	60 A
Intervalo de temperatura de funcionamento:	-15 °C a +50 °C
Combustível:	gasóleo conforme EN 590
Motor:	Hatz (1 B 30V)
Consumo:	máx. 1,4 l/h
Potência do motor:	4,7 kW (6,4 PS)
Rotação máx.:	3300 rpm
Óleo do motor:	1,1 l
Nível acústico:	89 dB(A)
Nível acústico a uma distância de 7 m:	64 dB(A)
Dimensões:	ver fig. <b>9</b> , página 7
Peso:	96,5 kg
Verificação/certificado:	 

Прочтите данную инструкцию перед вводом в эксплуатацию и сохраните ее. В случае передачи продукта передайте инструкцию следующему пользователю.

## Оглавление

1	Пояснение символов . . . . .	247
2	Указания по технике безопасности. . . . .	247
3	Целевая группа данной инструкции . . . . .	250
4	Объем поставки . . . . .	250
5	Принадлежности . . . . .	250
6	Использование по назначению. . . . .	251
7	Техническое описание. . . . .	251
8	Управление генератором . . . . .	253
9	Очистка генератора . . . . .	259
10	Техническое обслуживание генератора. . . . .	260
11	Устранение неисправностей. . . . .	265
12	Гарантия . . . . .	267
13	Утилизация. . . . .	267
14	Технические данные . . . . .	268

# 1 Пояснение символов

**ПРЕДУПРЕЖДЕНИЕ!**

**Указания по технике безопасности:** Несоблюдение может привести к смертельному исходу или тяжелым травмам.

**ОСТОРОЖНО!**

**Указания по технике безопасности:** Несоблюдение может привести к травмам.

**ВНИМАНИЕ!**

Несоблюдение может привести к повреждениям и нарушить работу продукта.

**УКАЗАНИЕ**

Дополнительная информация по управлению продуктом.

➤ **Действие:** Этот символ указывает на то, что Вы должны выполнить определенное действие. Требуемые действия описываются шаг за шагом.

✓ Этот символ описывает результат действия.

**Рис. 1 5, стр. 3:** Данное указание обращает Ваше внимание на рисунок, в данном примере на «позицию 5 на рисунке 1 на странице 3».

## 2 Указания по технике безопасности

Изготовитель не несет никакой ответственности за ущерб в следующих случаях:

- Повреждения продукта из-за механических воздействий и перенапряжений
- Изменения в продукте, выполненные без однозначного разрешения изготовителя
- Использование в целях, отличных от указанных в данной инструкции

Он не несет, в частности, никакой ответственности за любой косвенный ущерб, в т. ч. и косвенный ущерб, вызванный отказом генератора.

Соблюдайте следующие основные предписания по технике безопасности при пользовании электроприборами для защиты от:

- поражения электрическим током
- опасности возникновения пожара
- травм

## 2.1 Основные указания по технике безопасности



### ОПАСНОСТЬ!

- **Не эксплуатируйте прибор в помещениях, в которых имеется опасность взрыва.**



### ПРЕДУПРЕЖДЕНИЕ!

- **Электроприборы не являются детскими игрушками!** Дети не в состоянии правильно оценить опасности, исходящие от электроприборов. Не оставляйте детей пользоваться электроприборами без присмотра.
- Этот прибор может использоваться детьми с 8-ми лет и старше, а также лицами с ограниченными физическими, сенсорными и умственными способностями или при недостатке необходимого опыта и/или знаний только под присмотром или после прохождения инструктажа по безопасному использованию прибора, если они поняли опасности, которые при этом могут возникнуть.
- Используйте прибор только по назначению.
- Не выполняйте никаких изменений и переделок на приборе.
- Монтаж, техническое обслуживание и ремонт генератора разрешается выполнять только специалистам, знакомым с опасностями при обращении с генераторами, а также с соответствующими стандартами и предписаниями. Неправильно выполненный ремонт может приводить к серьезным опасностям. При необходимости ремонта обратитесь в представительство изготовителя в Вашей стране (адреса указаны на обороте).
- При работах по техническому обслуживанию обозначьте зону вокруг прибора и закройте доступ к зонам, активирование которых ведет к опасностям.



- Продукты сгорания содержат окись углерода, предельно ядовитый, не имеющий запаха и бесцветный газ. Не вдыхайте продукты сгорания. Не оставляйте двигатель генератора работать в закрытом гараже или помещении, не имеющем окон.

**ОСТОРОЖНО!**

- Генератор разрешается эксплуатировать только при закрытой смотровой заслонке.
- Удалите все легковоспламеняющиеся материалы, как, например, бензин, лаки, краски, растворители и т. п., из зоны вблизи генератора.
- Убедитесь в том, что нагревающиеся узлы генератора не контактируют с легковоспламеняющимися материалами.
- Заправляйте генератор только в выключенном состоянии и только в хорошо вентилируемой зоне. Дизельное топливо является чрезвычайно огнеопасным и может взорваться.
- Не заправляйте генератор при включенном двигателе автомобиля, если бак находится вблизи двигателя автомобиля.
- В случае выливания дизельного топлива тщательно соберите его и перед тем, как включить двигатель, подождите, пока полностью не исчезнут пары.
- Не касайтесь генератора и проводов влажными руками.
- Заменяйте предохранители только на устройства с такими же техническими характеристиками

**ВНИМАНИЕ!**

- Не переполняйте бак. В горловине бака не должно находиться топливо. Проверьте, правильно ли закрыта крышка.

## 2.2 Техника безопасности при работе прибора

**ПРЕДУПРЕЖДЕНИЕ!**

- При работах на приборе всегда прерывайте электропитание.

**ВНИМАНИЕ!**

- Эксплуатируйте прибор только в том случае, если корпус и провода не имеют повреждений.

### 3 Целевая группа данной инструкции

Данная инструкция по эксплуатации предназначена для пользователей генератора.

### 4 Объем поставки

Наименование	Артикульный номер
Генератор TEC40D	9102900201
Пульт дистанционного управления	
Выхлопной трубопровод, 2 м	
Крепежный материал для глушителя	
Питающий кабель	
AG 102, переключающее реле для реализации приоритетной схемы	
Крепежный материал	
Инструкция по монтажу	
Инструкция по эксплуатации	

### 5 Принадлежности

Продается в качестве принадлежности (не входит в объем поставки):

Наименование деталей	Артикульный номер
PR 25044, внешний комплект уплотнений.	9102900174

## 6 Использование по назначению

Генератор TEC40D (арт. № 9102900201) предназначен для использования в жилых прицепах, кемперах и коммерческих автомобилях.

Генератор **не** пригоден для монтажа на плавсредствах.

Генератор создает чистое синусоидальное переменное напряжение 230 В/50 Гц, к которому могут быть присоединены потребители с общей продолжительной нагрузкой 3500 Вт. Качество тока пригодно даже для чувствительных потребителей (например, ПК).

Генератор может заряжать аккумуляторную батарею с напряжением 12 В.

## 7 Техническое описание

Генератор состоит из следующих основных узлов (рис. **1**, стр. 3):

- Электрогенератор с постоянными магнитами (1)
- Эндотермический двигатель (2)
- Присоединительная панель (3)
- Инвертор (4)
- Пульт дистанционного управления (5)

Эндотермический двигатель (2) приводит во вращение жестко соединенный с ним генератор переменного тока (1), который генерирует переменное напряжение.

Интегрированный инвертор (4) преобразует это переменное напряжение в стабилизированное напряжение с 230 В и 50 Гц, которое подается на зажимы инвертора. На инверторе расположено гнездо для соединительного кабеля пульта дистанционного управления (5).

На соединительной панели (3) за дверцей расположены присоединительные зажимы и главный выключатель.

Генератор имеет встроенное зарядное устройство для заряда присоединенного аккумулятора.

## Органы управления на клеммной коробке

Клеммная коробка расположена на генераторе за защитным кожухом.

Поз. на рис. <b>2</b> , стр. 3	Описание	
1	Главный выключатель	Включает генератор в рабочее или нерабочее состояние.
2	Присоединительный зажим положительного полюса батареи	Присоединение к положительному полюсу аккумуляторной батареи
3	Главный предохранитель	Срабатывает при перегрузке инвертора
4	Предохранитель устройства для заряда аккумуляторных батарей	Срабатывает при перегрузке зарядного устройства батареи

## Органы управления на пульте дистанционного управления

Пульте дистанционного управления расположен в салоне автомобиля.

Поз. на рис. <b>3</b> , стр. 4	Описание	
1	Дисплей	Показывает сообщения о состоянии.
2	Выключатель « $\phi$ »	Включает и выключает панель управления, если главный выключатель находится в положении «I» или «1». Останавливает генератор в экстренном случае.
3	Зеленая кнопка «START/STOP»	Запускает и останавливает генератор, если панель управления включена и главный выключатель находится в положении «I» или «1».
4	Датчик уровня топлива	Загорается при слишком низком уровне дизельного топлива.
5	Указатель уровня масла	Загорается при слишком низком уровне масла в двигателе.

## Индикация на дисплее

Поз. на рис. 3, стр. 4	Описание	
6	Переменное напряжение	Текущее значение переменного напряжения
7	Длительная мощность	Текущее значение мощности присоединенных потребителей
8	Часы эксплуатации	Время, которое генератор находится в эксплуатации.
9	Постоянное напряжение	Напряжение батареи
10	Сообщения	Сообщение о состоянии генератора (см. гл. «Сообщения на дисплее» на стр. 256)

## 8 Управление генератором



### **ВНИМАНИЕ!**

В течение первых 50 часов эксплуатации (фаза обкатки) не подвергайте генератор нагрузкам, превышающим 70 % максимальной длительной мощности.



### **УКАЗАНИЕ**

После окончания фазы обкатки подвергайте генератор нагрузкам, не превышающим 75 % максимальной длительной мощности.

Вы можете увеличить срок службы генератора и максимизировать его мощность.

## 8.1 Общие указания по управлению



### **ОСТОРОЖНО! Опасность травмирования!**

Не вставлять пальцы или какие-либо предметы в воздушные сопла или воздухозаборную решетку.

Соблюдайте следующие основные указания:

- Если генератор эксплуатируется при низких температурах ( $< 0\text{ }^{\circ}\text{C}$ ), то необходимо использовать зимнее дизельное топливо или добавить к дизельному топливу бензин в количестве, указанном в следующей таблице:

Температура окружающей среды	Летнее дизельное топливо	Зимнее дизельное топливо
от $-10$ до $0\text{ }^{\circ}\text{C}$	20 %	–
от $-15$ до $-10\text{ }^{\circ}\text{C}$	30 %	–
от $-20$ до $-15\text{ }^{\circ}\text{C}$	30 %	20 %

- Перед каждым использованием контролируйте уровень масла (гл. «Контроль уровня масла» на стр. 258).
- Даже незначительные, но постоянные перегрузки приводят к тому, что генератор останавливается.
- После использования оставьте генератор работать несколько минут без потребителей, прежде чем остановить его.
- Резкое торможение, ускорение и движение автомобиля на поворотах могут вызывать проблемы в насосной системе генератора и приводить к его непреднамеренному выключению.
- Если Вы не используете генератор длительное время, то запускайте его не реже чем каждые 10 дней и оставляйте его работать не менее чем на 15 минут.

## 8.2 Включение генератора в рабочее или нерабочее состояние

Главным выключателем (рис. **2** 1, стр. 3) на клеммной коробке генератора включается в рабочее или нерабочее состояние.

### 8.3 Включение и выключение панели управления

Выключателем (рис. **3** 2, стр. 4) на панели управления включается и выключается панель управления.

► Включите панель управления выключателем.

✓ На дисплее появляется: *GEN OFF*.

Дисплей выключается автоматически через 5 минут, если в течение этого времени не была нажата пусковая кнопка.

Нажатием пусковой кнопки можно снова включить дисплей.

✓ Теперь генератор может быть запущен.

### 8.4 Запуск генератора

Генератор может быть запущен только в том случае, если он включен и в рабочее состояние и если включена панель управления.



#### **УКАЗАНИЕ**

На еще прогретом генераторе в целях пуска нажмите пусковую кнопку лишь коротко, на холодном генераторе - более длительно.

► Включите генератор с помощью зеленой кнопки «START/STOP» (рис. **3** 3, стр. 4).

### 8.5 Остановка генератора

► Остановите генератор выключателем (рис. **3** 2, стр. 3).

Если генератор не останавливается: Выключите его главным выключателем (рис. **2** 1, стр. 3).

## 8.6 Сообщения на дисплее

Сообщение на дисплее Описание	Поведение генератора	Меры
<i>LOW BATTERY</i> Напряжение батареи пало ниже минимального значения для выполнения попыток пуска (9 В).	Генератор не запускается.	Зарядить батарею.
<i>CHECK OIL LEVEL</i>	Генератор продолжает работать.	Долить масло (см. гл. «Контроль уровня масла» на стр. 258).
<i>OIL CHANGE</i> Достигнуто заданное значение часов эксплуатации для замены масла в двигателе.	Генератор продолжает работать.	Выполнить замену масла (см. гл. «Замена масла» на стр. 262). Для сброса аварийной сигнализации включите генератор: нажмите кнопку «START/STOP» и удерживайте ее нажатой.
<i>NO FUEL</i> Слишком низкий уровень дизельного топлива в баке.	Генератор продолжает работать.	Выполнить заправку.
<i>OIL TEMP PRESS</i> В двигателе отсутствует масло. Слишком высокая температура двигателя.	Генератор останавливается.	Долить масло (см. гл. «Контроль уровня масла» на стр. 258). Дать генератору охладиться, подождать несколько минут, затем перезапустить генератор.
<i>GENERATOR ALERT!</i> Общее аварийное сообщение	Генератор останавливается.	Проверить систему на основе таблицы «Неисправности, их причины и устранение». Если проблема не устраняется, то обратитесь в представительство изготовителя в Вашей стране (адреса указаны на обороте).



Сообщение на дисплее Описание	Поведение генератора	Меры
<b><i>OVERLOAD!</i></b> Потребители создают перегрузку на выходе.	Инвертор отключается, поэтому напряжение не отдается, но двигатель продолжает работать, пока не выключится.	Уменьшить присоединенную нагрузку и перезапустить генератор.
<b><i>SHORT CIRCUIT</i></b> Потребители создают короткое замыкание на выходе.	Инвертор отключается, поэтому напряжение не отдается, но двигатель продолжает работать, пока не выключится.	Проверить состояние присоединенных потребителей, затем перезапустить генератор.
<b><i>OVER TEMPERATURE</i></b> Слишком высокая температура инвертора.	Инвертор отключается, поэтому напряжение не отдается, но двигатель продолжает работать, чтобы охладить генератор.	Дать генератору охладиться, подождать несколько минут, затем перезапустить генератор.
<b><i>LOW POWER ENGINE</i></b> Падение напряжения питания инвертора.	Генератор останавливается.	Уменьшить присоединенную нагрузку и перезапустить генератор.
<b><i>GEN CAL</i></b> Сообщение, которое появляется после пуска генератора; оно указывает на фазу калибровки, которая предшествует каждому пуску. Генератор еще не отдает напряжение.	Генератор вращается, но не создает напряжение.	Подождать некоторое время.
<b><i>GEN WAIT</i></b> Сообщение, которое появляется во время фазы между двумя попытками пуска.	Генератор выключен.	Подождать, пока сообщение не исчезнет, затем повторить попытку пуска.
<b><i>GEN ON</i></b> Нормальный режим работы генератора.	Нормальный режим работы	–
<b><i>GEN OFF</i></b>	Генератор находится в режиме ожидания и может быть запущен.	–

## 8.7 Контроль уровня масла



### ОСТОРОЖНО!

Горячее масло может вызывать ожоги.  
Проверяйте уровень масла только на выключенном генераторе.



### УКАЗАНИЕ

Генератор должен располагаться горизонтально.

Перед каждым использованием контролируйте уровень масла. При этом соблюдайте следующий порядок действий:

- Откройте заслонку генератора.
- Включите генератор главным выключателем (рис. 4 1, стр. 4) в нерабочее состояние.
- Рассоедините соединение с положительным полюсом питающей батареи.
- Вытяните стержневой указатель уровня (рис. 4 2, стр. 4) из наливного патрубка (рис. 4 3, стр. 4).
- Очистите стержневой указатель уровня (рис. 4 2, стр. 4) ветошью.
- Полностью вставьте стержневой указатель уровня (рис. 4 2, стр. 4) в наливной патрубок (рис. 4 3, стр. 4).
- Вытяните стержневой указатель уровня (рис. 4 2, стр. 4) из наливного патрубка.
- Проверьте, находится ли уровень масла между меткой (максимальный уровень) и верхушкой указателя уровня.  
Если нет, то долейте масло.
- Полностью вставьте стержневой указатель уровня (рис. 4 2, стр. 4) в наливной патрубок (рис. 4 3, стр. 4).
- Соедините генератор с положительным полюсом питающей батареи.
- Включите генератор главным выключателем (рис. 4 1, стр. 4) в рабочее состояние.
- Закройте заслонку генератора.

## 9 Очистка генератора



### ***ВНИМАНИЕ! Опасность повреждения!***

- Категорически запрещается очищать генератор очистителем высокого давления. Попавшая вода может привести к повреждениям генератора.
  - Не использовать для очистки острые или твердые предметы или чистящие средства, т. к. это может привести к повреждениям генератора.
  - Для очистки генератора используйте только воду с нейтральным чистящим средством. Категорически запрещается использовать бензин, дизельное топливо или растворители.
- Периодически очищайте корпус генератора влажной тряпкой.
- Регулярно удаляйте загрязнения с вентиляционных отверстий генератора. Следите за тем, чтобы при этом не повредить пластины генератора.

# 10 Техническое обслуживание генератора

## 10.1 Таблица технического обслуживания



### ПРЕДУПРЕЖДЕНИЕ!

Доверяйте техническое обслуживание только специалистам, знакомым с соответствующими стандартами и предписаниями. Неправильно выполненное техническое обслуживание может приводить к серьезным опасностям.



### УКАЗАНИЕ

Выполняйте следующие работы по техническому обслуживанию с указанной периодичностью или через указанное число часов эксплуатацию, в зависимости того, какой срок наступает раньше.

Интервал	Проверка/техническое обслуживание
В первый месяц или через 50 часов	<ul style="list-style-type: none"> <li>➤ Замените масло.</li> </ul>
Каждые 250 часов	<ul style="list-style-type: none"> <li>➤ Замените масло.</li> <li>➤ Очистите систему охлаждения двигателя.</li> <li>➤ Проверьте зазор в клапанах и винты. При необходимости, отрегулируйте зазор в клапанах и затяните винты.</li> <li>➤ Выполните контроль воздушного фильтра (гл. «Техническое обслуживание воздушного фильтра» на стр. 264).</li> </ul>
Каждые 500 часов	<ul style="list-style-type: none"> <li>➤ Замените воздушный и топливный фильтры.</li> </ul>
Ежегодно или каждые 1000 часов	<ul style="list-style-type: none"> <li>➤ Очистите масляный фильтр.</li> </ul> <p>Следующее должно быть выполнено официальным дилером HATZ или специалистами, обученными компанией Dometic:</p> <ul style="list-style-type: none"> <li>➤ Выполните техническое обслуживание топливного насоса высокого давления.</li> <li>➤ Выполните техническое обслуживание виброгасителя.</li> </ul>

## 10.2 Подготовка к техническому обслуживанию



### ОСТОРОЖНО!

При всех работах по техническому обслуживанию учитывайте следующее:

- Генератор не должен находиться в работе.
- Все детали должны охладиться.

- Откройте заслонку генератора.
- Включите генератор главным выключателем (рис. **2** 1, стр. 3) в нерабочее состояние.
- Рассоедините соединение с положительным полюсом питающей батареи.

Для проведения технического обслуживания Вы можете вытянуть генератор:



### ПРЕДУПРЕЖДЕНИЕ!

Опорная плита с генератором очень тяжелая (> 90 кг) и может выпасть из корпуса, если слишком далеко вытянуть ее.

- Отпустите крепежный винт (рис. **5** 1, стр. 5).
- Вытяните опорную плиту (рис. **5** 2, стр. 5) с генератором из корпуса.

## 10.3 Завершение технического обслуживания

- Соедините генератор с положительным полюсом питающей батареи.
- Включите генератор главным выключателем (рис. **2** 1, стр. 3) в рабочее состояние.
- Закройте заслонку генератора.

## 10.4 Замена масла



### **ОСТОРОЖНО!**

Горячее масло может вызывать ожоги.



### **ВНИМАНИЕ!**

Обязательно сдавайте отработавшее масло в специальные компании по утилизации или переработке и соблюдайте законы по охране окружающей среды, действующие в Вашей стране.

Можно использовать следующие масла:

- Масло со свойствами:
  - CCMC D4, D5, PD
  - API CD, CE, CF, CG
  - SHPD
- Масло классов SAE:
  - 5W-30
  - 5W-40
  - 100W
  - 100W-30 (рекомендуется)
  - 10W-30
  - 15W-30
  - 30
  - 40
- Сезонное масло:

Выберите подходящую вязкость масла в зависимости от средней местной температуры.

Замена масла выполняется следующим образом (рис. **6**, стр. 5):

- Дайте генератору прогреться три – пять минут, чтобы масло стало более жидким и могло быть слито быстро и полностью.
- Вытяните стержневой указатель уровня (1) из наливного патрубка (2).
- Установите подходящую емкость (4) вблизи маслопровода (5).
- Отпустите зажим (3).
- Снимите маслопровод (5) и слейте масло в емкость (4).
- Установите маслопровод (5) на штуцер.

- Закрепите маслопровод (5) зажимом (3).
- Залейте свежее масло в наливной патрубком (2).  
Максимальное количество масла составляет 1,1 л.  
Уровень масла должен находиться между метками максимального и минимального уровня указателя уровня (1).
- Полностью вставьте стержневой указатель уровня (1) в наливной патрубком (2).

## 10.5 Замена топливного фильтра



### **ВНИМАНИЕ!**

Утилизируйте вылившееся топливо согласно законодательству своей страны по защите окружающей среды.

В генераторе имеется два топливных фильтра (рис. **7** 2 и 4, стр. 6).

- Установите подходящую емкость под топливные фильтры (рис. **7** 2 и 4, стр. 6).
- Ослабьте зажимы (рис. **7** 1 и 3, стр. 6).
- Извлеките топливный фильтр и установите новый.
- Затяните зажимы.

## 10.6 Техническое обслуживание воздушного фильтра



### **ПРЕДУПРЕЖДЕНИЕ! Опасность взрыва!**

Для очистки воздушного фильтра не используйте дизельное топливо или растворители с низкой температурой испарения. Они могут воспламеняться или взрываться.



### **ОСТОРОЖНО!**

Носите респиратор и защитные очки.



### **ВНИМАНИЕ!**

Не допускается работа двигателя без воздушного фильтра. В противном случае двигатель быстро изнашивается.



### **УКАЗАНИЕ**

Если воздушный фильтр загрязнен, то воздушный поток к двигателю уменьшается. Для обеспечения хорошей работы двигателя следует регулярно контролировать состояние фильтра. Контролируйте его соответственно чаще, если генератор работает в условиях сильной запыленности.

Проверьте и замените воздушный фильтр следующим образом (рис. 8, стр. 6):

- ▶ Снимите колпачок (1) и кожух фильтра (2).
- ▶ Снимите гайку с накаткой (3).
- ▶ Снимите воздушный фильтр (4).
- ▶ Тщательно проконтролируйте состояние воздушного фильтра (4):  
Посветите лампой внутрь воздушного фильтра и проверьте, не повреждена ли бумажная мембрана.  
Замените воздушный фильтр:
  - если он поврежден
  - если он загрязнен влажными или маслянистыми загрязнениями
- ▶ Очистите неповрежденный воздушный фильтр от сухих загрязнений.  
Очистите воздушный фильтр сжатым воздухом (не используйте сопла сжатого воздуха с давлением свыше 2 – 2,5 бар): Продуйте сжатым воздухом изнутри наружу до тех пор, пока не будет полностью удалена пыль.



- Очистите крышку фильтра (2).
- Установите воздушный фильтр (4).
- Закрепите гайку с накаткой (3).
- Установите крышку фильтра (2) на место.
- Закрепите крышку фильтра (2) колпачком (1).

## 11 Устранение неисправностей

Неисправность	Причина	Устранение
При нажатии выключателя панель управления не включается.	Разряжена стартерная батарея.	➤ Зарядите стартерную батарею.
	Оборван кабель или вытянут штекер.	➤ Обратитесь в уполномоченную мастерскую.
	Сработал предохранитель (при наличии).	
При нажатии пусковой кнопки стартер не вращается.	Разряжена стартерная батарея.	➤ Зарядите стартерную батарею.
	Главный выключатель находится в положении «0».	➤ Установите главный выключатель в положение «1» или «1».
	Плата повреждена.	➤ Обратитесь в уполномоченную мастерскую.
Отсутствует электропитание стартера.		
Стартер вращается, но генератор не запускается.	Загрязнены форсунки.	➤ Обратитесь в уполномоченную мастерскую.
	Неисправен двигатель.	
Генератор склонен к выключению.	В двигателе слишком много масла.	➤ Слейте масло (см.гл. «Замена масла» на стр. 262).
	Слишком большая нагрузка.	➤ Отключите потребителей.
	Засорен воздухозаборник.	➤ Выполните контроль воздушного фильтра (см. гл. «Техническое обслуживание воздушного фильтра» на стр. 264).
	Поврежден инвертор.	➤ Обратитесь в уполномоченную мастерскую.
	Неисправность в электропитании ТНВД.	
Загрязнены форсунки.		

Неисправность	Причина	Устранение
Генератор запустился, но не создает напряжение.	Поврежден инвертор.	➤ Обратитесь в уполномоченную мастерскую.
	Неправильно выполнены электрические соединения.	➤ Проверьте электрические соединения.
Созданное напряжение не стабильно.	Слишком большая нагрузка.	➤ Отключите потребителей.
	Засорен воздухозаборник.	➤ Выполните контроль воздушного фильтра (см. гл. «Техническое обслуживание воздушного фильтра» на стр. 264).
	Поврежден инвертор.	➤ Обратитесь в уполномоченную мастерскую.
	Неисправность в электропитании ТНВД.	
	Загрязнены форсунки.	
Зарядное устройство батареи не подает напряжение.	Поврежден предохранитель зарядного устройства батареи.	➤ Заменить предохранитель.

## 12 Гарантия

Действителен установленный законом срок гарантии. Если продукт неисправен, обратитесь в сервисную организацию в Вашей стране (адреса см. на оборотной стороне инструкции).

Наши специалисты с радостью помогут Вам и обсудят с Вами дальнейшие шаги.

## 13 Утилизация

- По возможности, выкидывайте упаковочный материал в мусор, подлежащий вторичной переработке.



Если Вы окончательно выводите продукт из эксплуатации, то получите информацию в ближайшем центре по вторичной переработке или в торговой сети о соответствующих предписаниях по утилизации.





### **Защищайте окружающую среду!**

Аккумуляторы и батареи запрещается выбрасывать в бытовой мусор.

Неисправные аккумуляторы и разряженные батареи сдавайте в торговую организацию или в специальные сборные пункты.

## 14 Технические данные

	<b>Dometic TEC40D</b>
Арт. №:	9102900201
Номинальное выходное напряжение:	230 В~ / 50 Гц
Макс. длительная мощность (при 25 °С на уровне моря):	3500 Вт
Выходное напряжение устройства для заряда аккумулятора:	12 В==
Макс. выходной ток устройства для заряда аккумулятора:	60 А
Диапазон рабочих температур:	от -15 °С до +50 °С
Топливо:	Дизельное топливо согласно EN 590
Двигатель:	Hatz (1 В 30V)
Расход:	макс. 1,4 л/ч
Мощность двигателя:	4,7 кВт (6,4 л. с.)
Макс. частота вращения:	3300 мин <sup>-1</sup>
Моторное масло:	1,1 л
Уровень шума:	89 дБ (А)
Уровень шума на расстоянии 7 м:	64 дБ (А)
Размеры:	см. рис. <b>9</b> , стр. 7
Вес:	96,5 кг
Испытания/сертификат:	 

**Przed uruchomieniem urządzenia należy uważnie przeczytać niniejszą instrukcję. Instrukcję należy zachować. W razie przekazywania urządzenia należy ją udostępnić kolejnemu nabywcy.**

## Spis treści

1	Objaśnienie symboli . . . . .	270
2	Zasady bezpieczeństwa . . . . .	271
3	Odbiorcy instrukcji . . . . .	273
4	Zakres dostawy . . . . .	273
5	Osprzęt . . . . .	273
6	Użytkowanie zgodne z przeznaczeniem . . . . .	274
7	Opis techniczny . . . . .	274
8	Obsługa generatora . . . . .	276
9	Czyszczenie generatora . . . . .	282
10	Konserwacja generatora . . . . .	283
11	Usuwanie usterek . . . . .	288
12	Gwarancja . . . . .	289
13	Utylizacja . . . . .	289
14	Dane techniczne . . . . .	290

# 1 Objąśnienie symboli

**OSTRZEŻENIE!**

**Wskazówka dot. bezpieczeństwa:** Nieprzestrzeganie może prowadzić do śmierci lub ciężkich obrażeń ciała.

**OSTROŻNIE!**

**Wskazówka dot. bezpieczeństwa:** Nieprzestrzeganie może prowadzić do obrażeń ciała.

**UWAGA!**

Nieprzestrzeganie może prowadzić do powstania szkód materialnych i zakłóceń w działaniu produktu.

**WSKAZÓWKA**

Informacje uzupełniające dot. obsługi produktu.

► **Obsługa:** Ten symbol wskazuje, że użytkownik musi podjąć jakieś działanie. Wymagane działania zostały opisane krok po kroku.

✓ Ten symbol opisuje wynik działania.

**Rys. 1 5, strona 3:** Ten odnośnik wskazuje element na rysunku, w tym przypadku „Pozycję 5 na rysunku 1 na stronie 3”.

## 2 Zasady bezpieczeństwa

Producent nie odpowiada za szkody spowodowane:

- uszkodzeniem produktu w sposób mechaniczny lub spowodowany przeciążeniami elektrycznymi
- zmianami dokonanymi w produkcie bez wyraźnej zgody producenta
- użytkowaniem w celach innych niż opisane w niniejszej instrukcji

Nie ponosi on odpowiedzialności w szczególności za szkody pośrednie, które mogą powstać w wyniku awarii generatora.

Należy przestrzegać podstawowych zasad bezpieczeństwa obowiązujących przy używaniu urządzeń elektrycznych w celu ochrony przed:

- porażeniem prądem
- pożarem
- obrażeniami ciała

### 2.1 Podstawowe zasady bezpieczeństwa



#### NIEBEZPIECZEŃSTWO!

- Urządzenia **nie** należy eksploatować w pomieszczeniach, w których istnieje zagrożenie wybuchem.



#### OSTRZEŻENIE!

- **Urządzenia elektryczne nie są zabawkami dla dzieci!** Dzieci nie są w stanie ocenić zagrożeń, które mogą one powodować. Nie należy pozwalać dzieciom na korzystanie z urządzeń elektrycznych bez nadzoru.
- Dzieci od 8 roku życia i osoby o ograniczonych możliwościach fizycznych, sensorycznych lub umysłowych oraz/lub osoby niedysponujące stosowną wiedzą i doświadczeniem mogą użytkować to urządzenie, o ile osoby te znajdują się pod nadzorem lub zostały poinstruowane w zakresie bezpiecznego użytkowania urządzenia i zrozumiały ewentualne zagrożenia wynikające z niewłaściwego użytkowania.
- Urządzenie należy wykorzystywać zgodnie z jego przeznaczeniem.
- Nie należy dokonywać żadnych modyfikacji ani przebrojeń urządzenia.

- Instalacji, konserwacji i napraw generatora mogą dokonywać tylko specjaliści, którzy zapoznali się ze związanymi z tym zagrożeniami oraz stosownymi przepisami. Niefachowe naprawy mogą spowodować poważne niebezpieczeństwo. W celu przeprowadzenia naprawy należy zwrócić się do filii producenta działającej w danym kraju (adresy na odwrocie).
- Przed przeprowadzeniem prac konserwacyjnych należy oznaczyć teren wokół urządzenia i zablokować dostęp do obszarów, których aktywacja może powodować zagrożenie.
- Spaliny zawierają tlenek węgla, który jest bardzo trującym, bezzapachowym oraz bezbarwnym gazem. Nie wolno wdychać spalin. Pracującego silnika generatora nie wolno pozostawiać w zamkniętym garażu lub pomieszczeniu bez okien.



### **OSTROŻNIE!**

- Generators można używać wyłącznie przy zamkniętej klapie kontrolnej.
- Wszystkie materiały łatwopalne, takie jak benzyna, lakiery i rozpuszczalniki, należy usunąć z otoczenia generatora.
- Należy upewnić się, że nagrzewające się części generatora nie stykają się z łatwopalnymi materiałami.
- Generator należy zaopatrywać w paliwo tylko wtedy, gdy jest on wyłączony i gdy zapewniona jest dobra wentylacja. Olej napędowy jest łatwopalny i może wybuchnąć.
- Tankowanie generatora przy uruchomionym silniku w sytuacji, gdy zbiornik znajduje się w jego pobliżu, jest niedozwolone.
- W przypadku rozlania oleju napędowego należy go dobrze zetrzeć i odczekać przed włączeniem silnika, aż znikną opary.
- Generators i przewodów nie wolno dotykać wilgotnymi rękami.
- Bezpieczniki należy wymieniać na bezpieczniki posiadające te same parametry techniczne.



### **UWAGA!**

- Nie należy napełniać w zbyt dużym stopniu zbiornika. W szyjce zbiornika nie może znajdować się paliwo. Należy sprawdzić, czy pokrywa jest prawidłowo zamknięta.



## 2.2 Bezpieczeństwo podczas eksploatacji urządzenia



### OSTRZEŻENIE!

- Podczas wykonywania prac przy urządzeniu należy zawsze odłączyć je od zasilania.



### UWAGA!

- Nie wolno używać urządzenia z uszkodzoną obudową i przewodami.

## 3 Odbiorcy instrukcji

Niniejsza instrukcja obsługi przeznaczona jest dla użytkowników generatora.

## 4 Zakres dostawy

Nazwa	Numer produktu
Generator TEC40D	9102900201
Pilot	
Przewód odprowadzający gazy spalinowe, 2 m	
Materiał do mocowania tłumika	
Przewód przyłączeniowy	
AG 102, Przełącznik przełączeniowy do aktywacji przełącznika pierwszeństwa	
Materiał mocujący	
Instrukcja montażu	
Instrukcja obsługi	

## 5 Osprzęt

Elementy dostępne jako akcesoria (nieobjęte zakresem dostawy):

Nazwa części	Numer produktu
PR 25044, zewnętrzny zestaw uszczelek	9102900174

## 6 Użytkowanie zgodne z przeznaczeniem

Generator TEC40D (nr produktu 9102900201) zaprojektowano do zastosowania w przyczepach i samochodach kempingowych oraz pojazdach wykorzystywanych komercyjnie.

Generator **nie nadaje się** do zastosowania w pojazdach wodnych.

Generator wytwarza czyste zmienne napięcie sinusoidalne 230 V/50 Hz, do którego można podłączyć odbiorniki o łącznym obciążeniu stałym 3500 W. Jakość prądu nadaje się także dla czułych odbiorników (np. komputerów).

Generator może ładować akumulator 12 V.

## 7 Opis techniczny

Generator składa się z następujących głównych elementów (rys. **1**, strona 3):

- Generator prądu przemiennego (1)
- Silnik endotermiczny (2)
- Panel przyłączeniowy (3)
- Inwerter (4)
- Pilot (5)

Silnik endotermiczny (2) wprawia w obrót połączony z nim generator prądu przemiennego (1), który następnie generuje napięcie przemiennie.

Zintegrowany inwerter (4) przekształca napięcie przemiennie w stabilne napięcie o wartości 230 V i 50 Hz dostępne na jego zaciskach. Przy inwerterze jest umieszczone gniazdo na przewód przyłączeniowy do pilota (5).

Na panelu przyłączeniowym (3) za drzwiami są umieszczone zaciski przyłączeniowe i wyłącznik główny.

Generator posiada zintegrowaną ładowarkę służącą do ładowania podłączonego akumulatora.

## Elementy obsługi przy skrzynce przyłączeniowej

Skrzynka przyłączeniowa znajduje się przy generatorze za pokrywą.

Poz. na rys. <b>2</b> , strona 3	Opis	
1	Wyłącznik główny	Umożliwia włączenie lub wyłączenie generatora.
2	Zacisk przyłączeniowy bieguna dodatniego akumulatora	Podłączenie do zacisku dodatniego akumulatora.
3	Główny bezpiecznik	Wyzwała się w przypadku za wysokiego napięcia inwertera
4	Bezpiecznik ładowarki akumulatora	Wyzwała się w przypadku za wysokiego napięcia ładowarki akumulatora

## Elementy obsługi na pilocie

Pilot jest umieszczony wewnątrz pojazdu.

Poz. na rys. <b>3</b> , strona 4	Opis	
1	Wyświetlacz	Pokazuje komunikaty o statusie.
2	Włącznik/wyłącznik „ $\phi$ ”	Włącza i wyłącza panel obsługi, gdy wyłącznik główny znajduje się w pozycji „I” lub „1”. Zatrzymuje generator w sytuacji awaryjnej.
3	Zielony przycisk „START/STOP”	Uruchamia/zatrzymuje generator, gdy panel obsługi jest włączony i główny wyłącznik znajduje się w położeniu „I” lub „1”.
4	Wskaźnik paliwa	Świeci się w przypadku rezerwowego poziomu paliwa.
5	Wskaźnik poziomu oleju	Świeci się, gdy poziom oleju w silniku jest za niski.

## Wskazania wyświetlacza

Poz. na rys. 3, strona 4	Opis	
6	Napięcie przemienne	Bieżące napięcie wyjściowe
7	Moc ciągła	Bieżąca moc podłączonych odbiorników
8	Godziny pracy	Czas, w którym działa generator
9	Napięcie stałe	Napięcie akumulatora
10	Komunikaty	Komunikat o statusie generatora (patrz rozdz. „Komunikaty wyświetlane na wyświetlaczu” na stronie 279)

## 8 Obsługa generatora



### **UWAGA!**

W ciągu pierwszym 50 godzin pracy (w fazie początkowej) nie należy obciążać generatora na poziomie powyżej 70 % maksymalnej wydajności trwałej.



### **WSKAZÓWKA**

Po fazie początkowej generator należy obciążać do poziomu ok. 75 % maksymalnej wydajności trwałej.

W taki sposób możliwe jest wydłużenie trwałości generatora oraz maksymalizacja jego wydajności.

## 8.1 Podstawowe wskazówki dotyczące obsługi



### **OSTROŻNIE! Ryzyko obrażeń!**

Nie należy wkładać palców ani żadnych przedmiotów w dysze powietrzne lub kratki wlotowe.

Należy stosować się do następujących podstawowych wskazówek:

- W przypadku eksploatacji generatora w niskich temperaturach ( $< 0\text{ }^{\circ}\text{C}$ ) należy stosować zimowy olej napędowy lub dodać do oleju napędowego benzynę w ilości zgodnej z poniższą tabelą:

Temperatura otoczenia	Letni olej napędowy	Zimowy olej napędowy
od $-10$ do $0\text{ }^{\circ}\text{C}$	20 %	–
od $-15$ do $-10\text{ }^{\circ}\text{C}$	30 %	–
od $-20$ do $-15\text{ }^{\circ}\text{C}$	30 %	20 %

- Przed każdym użyciem należy kontrolować stan oleju (rozdz. „Kontrola poziomu oleju” na stronie 281).
- Również niewielkie przeciążenia powodują zwykle zatrzymanie generatora.
- Po użyciu, przed zatrzymaniem generatora, należy pozwolić mu działać przez kilka minut bez odbiorników.
- Ostre hamowanie, przyspieszanie i jazda na zakrętach może spowodować problemy w systemie pompowania generatora i jego niezamierzone wyłączenie.
- W przypadku niekorzystania z generatora przez dłuższy czas, należy uruchamiać go co najmniej co 10 dni i pozwolić, by pracował przez minimum 15 minut.

## 8.2 Włączanie lub wyłączanie generatora

Za pomocą wyłącznika głównego (rys. **2** 1, strona 3) znajdującego się przy skrzynce przyłączeniowej można włączyć lub wyłączyć generator.

### 8.3 Włączanie i wyłączanie panelu obsługi

Za pomocą włącznika/wyłącznika (rys. **3** 2, strona 4) znajdującego się na panelu obsługi panel można włączyć oraz wyłączyć.

- ▶ Należy włączyć panel obsługi za pomocą włącznika/wyłącznika.
- ✓ Na wyświetlaczu pojawi się informacja: *GEN OFF*.  
Wyświetlacz wyłączy się automatycznie po 5 minutach, jeśli w tym czasie nie zostanie naciśnięty przycisk rozruchu.  
Naciśnięcie przycisku rozruchu powoduje ponowne włączenie wyświetlacza.
- ✓ Teraz można uruchomić generator.

### 8.4 Uruchamianie generatora

Generator można uruchomić wówczas, gdy jest włączony i gdy włączony jest również panel obsługi.



#### WSKAZÓWKA

Jeśli generator jest jeszcze ciepły, aby wykonać rozruch, należy krótko nacisnąć przycisk uruchamiania, a jeśli jest zimny – dłużej.

- ▶ Generator jest uruchamiany zielonym przyciskiem „START/STOP” (rys. **3** 3, strona 4).

### 8.5 Zatrzymanie generatora

- ▶ Generator można zatrzymać za pomocą włącznika/wyłącznika (rys. **3** 2, strona 3).  
Jeśli się nie zatrzyma: Należy go wyłączyć za pomocą wyłącznika głównego (rys. **2** 1, strona 3).

## 8.6 Komunikaty wyświetlane na wyświetlaczu

Komunikat na wyświetlaczu Opis	Zachowanie generatora	Środki
<p><b>LOW BATTERY</b></p> <p>Napięcie akumulatora spadło poniżej minimalnej wartości, przy której można podjąć próbę uruchomienia (9 V).</p>	Generator nie uruchamia się.	Naładować akumulator.
<p><b>CHECK OIL LEVEL</b></p>	Generator nadal działa.	Uzupełnić olej (patrz rozdz. „Kontrola poziomu oleju” na stronie 281).
<p><b>OIL CHANGE</b></p> <p>Liczba godzin pracy osiągnęła wartość zdefiniowaną dla wymiany oleju silnikowego.</p>	Generator nadal działa.	<p>Wymienić olej (patrz rozdz. „Wymiana oleju” na stronie 285).</p> <p>W celu zresetowania alarmu należy uruchomić generator: wcisnąć i przytrzymać przycisk „START/STOP”.</p>
<p><b>NO FUEL</b></p> <p>Olej napędowy w zbiorniku znajduje się na rezerwowym poziomie.</p>	Generator nadal działa.	Zatankować.
<p><b>OIL TEMP PRESS</b></p> <p>Brak oleju silnikowego. Za wysoka temperatura silnika.</p>	Generator zatrzymuje się.	<p>Uzupełnić olej (patrz rozdz. „Kontrola poziomu oleju” na stronie 281).</p> <p>Schłodzić generator, a następnie odczekać kilka minut i ponownie uruchomić generator.</p>
<p><b>GENERATOR ALERT!</b></p> <p>Ogólny komunikat alarmowy</p>	Generator zatrzymuje się.	<p>System należy sprawdzić za pomocą tabeli Zakłócenia, przyczyny i środki zaradcze.</p> <p>Jeśli problem nadal istnieje, należy zwrócić się do filii producenta działającej w danym kraju (adresy na odwrocie).</p>
<p><b>OVERLOAD!</b></p> <p>Odbiorniki generują przeciążenie na wyjściu.</p>	Inwerter wyłącza się i dlatego napięcie nie jest już oddawane, jednakże silnik nadal działa do momentu zgaśnięcia.	Zmniejszyć podłączone obciążenie i ponownie uruchomić generator.

Komunikat na wyświetlaczu Opis	Zachowanie generatora	Środki
<i>SHORT CIRCUIT</i> Odbiorniki generują zwarcie na wyjściu.	Inwerter wyłącza się i dlatego napięcie nie jest już oddawane, jednakże silnik nadal działa do momentu zgaśnięcia.	Sprawdzić stan podłączonych odbiorników i ponownie uruchomić generator.
<i>OVER TEMPERATURE</i> Za wysoka temperatura inwertera.	Inwerter wyłącza się i dlatego napięcie nie jest już oddawane, jednakże silnik nadal działa, aby schłodzić generator.	Schłodzić generator, a następnie odczekać kilka minut i ponownie uruchomić generator.
<i>LOW POWER ENGINE</i> Spadek napięcia zasilania inwertera.	Generator zatrzymuje się.	Zmniejszyć podłączone obciążenie i ponownie uruchomić generator.
<i>GEN CAL</i> Komunikat, który pojawia się przy uruchamianiu generatora; informuje o fazie kalibracji poprzedzającej każde uruchomienie. Generator nie oddaje jeszcze napięcia.	Generator obraca się, nie generując napięcia.	Odczekać chwilę.
<i>GEN WAIT</i> Komunikat, który pojawia się w przerwie pomiędzy dwiema próbami uruchomienia.	Generator jest wyłączony.	Odczekać, aż komunikat zniknie, a następnie jeszcze raz podjąć próbę włączenia.
<i>GEN ON</i> Tryb zwykły generatora	Tryb zwykły	–
<i>GEN OFF</i>	Generator znajduje się w trybie czuwania i może zostać uruchomiony.	–



## 8.7 Kontrola poziomu oleju



### OSTROŻNIE!

Gorący olej może spowodować oparzenia. Poziom oleju należy sprawdzać tylko przy wyłączonym generatorze.



### WSKAZÓWKA

Generator musi stać w pozycji poziomej.

Stan oleju należy kontrolować przed każdym użyciem. W tym celu należy postępować w następujący sposób:

- ▶ Należy otworzyć klapę generatora.
- ▶ Należy go wyłączyć za pomocą wyłącznika głównego (rys. **4** 1, strona 4).
- ▶ Należy zlikwidować połączenie z biegunem dodatnim akumulatora.
- ▶ Należy wyjąć miarkę (rys. **4** 2, strona 4) z króćca wlewowego (rys. **4** 3, strona 4).
- ▶ Następnie należy wyczyścić miarkę (rys. **4** 2, strona 4) ściereczką.
- ▶ Kolejnym krokiem jest włożenie całej miarki (rys. **4** 2, strona 4) do króćca wlewowego (rys. **4** 3, strona 4).
- ▶ Następnie należy wyjąć miarkę (rys. **4** 2, strona 4) z króćca wlewowego.
- ▶ Należy sprawdzić, czy poziom oleju mieści się pomiędzy nacięciem (maksymalny poziom napełnienia) a czubkiem miarki.  
Jeśli nie, należy uzupełnić olej.
- ▶ Kolejnym krokiem jest włożenie całej miarki (rys. **4** 2, strona 4) do króćca wlewowego (rys. **4** 3, strona 4).
- ▶ Następnie należy połączyć generator z biegunem dodatnim akumulatora.
- ▶ Należy włączyć generator za pomocą wyłącznika głównego (rys. **4** 1, strona 4).
- ▶ Na koniec należy zamknąć klapę generatora.

## 9 Czyszczenie generatora



### ***UWAGA! Niebezpieczeństwo uszkodzenia!***

- Generators nie należy czyścić za pomocą urządzenia wysokiego ciśnienia. Wciekająca woda może go uszkodzić.
  - Zabronione jest używanie do czyszczenia ostrych i twardych przedmiotów lub środków czyszczących, ponieważ mogą one uszkodzić generator.
  - Do czyszczenia generatora należy stosować jedynie wodę z łagodnym środkiem czyszczącym. W żadnym wypadku nie należy stosować benzyny, oleju napędowego ani rozpuszczalników.
- Obudowę należy czyścić od czasu do czasu wilgotną ściereczką.
- Należy regularnie usuwać zanieczyszczenia z otworów wentylacyjnych generatora, uważając przy tym, aby nie uszkodzić płytek generatora.

# 10 Konserwacja generatora

## 10.1 Tabela konserwacji



### OSTRZEŻENIE!

Wykonanie prac konserwacyjnych należy powierzać wyłącznie specjalistom, którzy posiadają wiedzę na temat stosownych przepisów. Niefachowe naprawy mogą spowodować poważne niebezpieczeństwo.



### WSKAZÓWKA

Realizację prac należy zlecać w podanych odstępach czasowych lub po podanej liczbie godzin pracy, w zależności od tego, który warunek zaistnieje jako pierwszy.

Interwał	Kontrola/Konserwacja
W pierwszym miesiącu lub po 50 godzinach	<ul style="list-style-type: none"> <li>➤ Wymienić olej.</li> </ul>
Co 250 godzin	<ul style="list-style-type: none"> <li>➤ Wymienić olej.</li> <li>➤ Oczyszczyć układ chłodzący silnika.</li> <li>➤ Skontrolować luz zaworowy i śruby. Ew. zlecić ustawienie luzu zaworowego i dokręcenie śrub.</li> <li>➤ Zlecić kontrolę filtra powietrza (rozdz. „Konserwacja filtra powietrza” na stronie 286).</li> </ul>
Co 500 godzin	<ul style="list-style-type: none"> <li>➤ Wymienić filtr powietrza i filtr paliwa.</li> </ul>
Raz w roku lub co 1000 godzin	<ul style="list-style-type: none"> <li>➤ Wyczyścić filtr oleju.</li> </ul> <p>Autoryzowany przez firmę HATZ sprzedawca lub przeszkolony przez firmę Dometic specjalista musi wykonać następujące czynności:</p> <ul style="list-style-type: none"> <li>➤ Należy wykonać konserwację pompy wtryskowej oleju napędowego.</li> <li>➤ Należy wykonać konserwację tłumika wibracji.</li> </ul>

## 10.2 Przygotowanie do prac konserwacyjnych



### **OSTROŻNIE!**

Podczas wszystkich prac konserwacyjnych należy pamiętać o następujących kwestiach:

- Generator nie może działać.
- Wszystkie części muszą być słodzone.

- Należy otworzyć klapę generatora.
- Należy go wyłączyć za pomocą wyłącznika głównego (rys. **2** 1, strona 3).
- Należy zlikwidować połączenie z biegunem dodatnim akumulatora.

Do wykonania prac konserwacyjnych generator można wyjąć:



### **OSTRZEŻENIE!**

Płyta nośna z generatorem jest bardzo ciężka (> 90 kg) i może wypaść z obudowy, jeśli zostanie wyjęta na zbyt dużą odległość.

- Odkręcić śrubę mocującą (rys. **5** 1, strona 5).
- Wyjąć płytę nośną (rys. **5** 2, strona 5) z generatorem z obudowy.

## 10.3 Zakończenie prac konserwacyjnych

- Najpierw należy połączyć generator z biegunem dodatnim akumulatora.
- Należy włączyć generator za pomocą wyłącznika głównego (rys. **2** 1, strona 3).
- Na koniec należy zamknąć klapę generatora.

## 10.4 Wymiana oleju



### **OSTROŻNIE!**

Gorący olej może spowodować oparzenia.



### **UWAGA!**

Zużyty olej należy przekazać specjalistycznej firmie w celu utylizacji lub odzysku, przestrzegając przepisów w zakresie ochrony środowiska obowiązujących w danym kraju.

Można używać następujących olejów:

- Olej z właściwościami:
  - CCMC D4, D5, PD
  - API CD, CE, CF, CG
  - SHPD
- Olej klas SAE:
  - 5W-30
  - 5W-40
  - 100W
  - 100W-30 (zalecany)
  - 10W-30
  - 15W-30
  - 30
  - 40
- Olej o lepkości jednosezonowej:  
Należy wybrać odpowiednią lepkość w zależności od średniej temperatury lokalnej.

Olej wymienia się w następujący sposób (rys. **6**, strona 5):

- Należy włączyć generator, tak aby pracował przez trzy do pięciu minut w stanie nagrzanym. Wówczas olej stanie się bardziej płynny i szybko spłynie.
- Należy wyjąć miarkę (1) z króćca wlewowego (2).
- Należy ustawić odpowiedni zbiornik (4) w pobliżu węża oleju (5).
- Należy poluzować obejmę (3).
- Następnie należy zdjąć wąż oleju (5) i spuścić olej do zbiornika (4).
- Kolejnym krokiem jest nałożenie węża oleju (5) na złączkę.

- Należy zamocować wąż oleju (5) za pomocą obejmy (3).
- Na koniec należy wlać świeży olej do króćca wlewowego (2).  
Maksymalna ilość oleju wynosi 1,1 l.  
Poziom oleju musi mieścić się pomiędzy nacięciem miarki oznaczającym maksymalny poziom napełnienia a nacięciem oznaczającym minimalny poziom napełnienia (1).
- Kolejnym krokiem jest włożenie całej miarki (1) do króćca wlewowego (2).

## 10.5 Wymiana filtra paliwa



### **UWAGA!**

Rozlane paliwo usuwać zgodnie z przepisami danego kraju odnośnie ochrony środowiska naturalnego.

W generatorze występują dwa filtry paliwa (rys. 7 2 i 4, strona 6).

- Podstawić odpowiedni zbiornik pod filtr paliwa (rys. 7 2 i 4, strona 6).
- Poluzować opaski mocujące (rys. 7 1 i 3, strona 6).
- Wyjąć filtr paliwa i włożyć nowy.
- Ponownie zaciągnąć opaski mocujące.

## 10.6 Konserwacja filtra powietrza



### **OSTRZEŻENIE! Niebezpieczeństwo wybuchu!**

Do czyszczenia filtra powietrza nie należy używać oleju napędowego lub rozpuszczalników z niskim punktem parowania. Mogą one spowodować zapłon i wybuch.



### **OSTROŻNIE!**

Konieczne jest noszenie maski przeciwpyłowej i okularów ochronnych.



### **UWAGA!**

Silnika nie należy nigdy uruchamiać bez filtra powietrza. W przeciwnym razie szybko ulegnie zużyciu.

**WSKAZÓWKA**

Gdy filtra powietrza jest zanieczyszczony, zmniejsza się strumień powietrza przemieszczający się do silnika. Należy regularnie sprawdzać stan filtra, aby zapewnić sprawne działanie silnika. Kontrolę należy przeprowadzać odpowiednio częściej, jeśli generator jest używany w otoczeniu o szczególnie dużym zapyleniu.

Filtr powietrza sprawdza się w następujący sposób: (rys. **8**, strona 6):

- ▶ Należy usunąć klapę mocującą (1) i pokrywę filtra (2).
- ▶ Należy usunąć nakrętkę radełkową (3).
- ▶ Należy wyjąć filtr powietrza (4).
- ▶ Należy dokładnie sprawdzić stan filtra powietrza (4):  
Należy oświetlić lampą środek filtra powietrza i sprawdzić, czy papierowa membrana nie jest uszkodzona.  
Filtr powietrza należy wymienić, gdy:
  - jest on uszkodzony
  - jest zabrudzony wilgotnymi i olejowymi zanieczyszczeniami
- ▶ Nieuszkodzony filtr powietrza należy oczyścić z suchych zanieczyszczeń.  
Należy oczyścić filtr powietrza suchym powietrzem sprężonym (nie stosować dysz ze sprężonym powietrzem o ciśnieniu powyżej 2 do 2,5 bar):  
Należy przedmuchiwać powietrze sprężone od wewnątrz do zewnątrz do momentu, aż kurz zostanie w pełni usunięty.
- ▶ Należy wyczyścić pokrywę filtra (2).
- ▶ Należy nałożyć filtr powietrza (4) ein.
- ▶ Należy zamocować śrubę radełkową (3).
- ▶ Należy ponownie nałożyć pokrywę filtra (2).
- ▶ Należy zamocować pokrywę filtra (2) za pomocą klapy mocującej (1).

# 11 Usuwanie usterek

Usterka	Przyczyna	Usuwanie
Naciśnięcie włącznika/wyłącznika nie powoduje włączenia panelu obsługi.	Akumulator rozruchowy jest rozładowany.	➤ Naładować akumulator rozruchowy.
	Przerwany kabel elektryczny lub wtyczka.	➤ Zwrócić się do autoryzowanego warsztatu.
	Bezpiecznik (jeśli jest) jest włączony.	
Po naciśnięciu przycisku uruchamiania rozrusznik nie obraca się.	Akumulator rozruchowy jest rozładowany.	➤ Naładować akumulator rozruchowy.
	Wyłącznik główny znajduje się w pozycji „0”.	➤ Ustawić wyłącznik główny w pozycji „I” lub „1”.
	Uszkodzona płytka obwodu drukowanego.	➤ Zwrócić się do autoryzowanego warsztatu.
	Rozrusznik nie jest zasilany prądem.	
Rozrusznik obraca się, jednak generator nie uruchamia się.	Zawory wtryskowe zabrudzone.	➤ Zwrócić się do autoryzowanego warsztatu.
	Uszkodzony silnik.	
Generator wykazuje tendencje do wyłączania się.	Za dużo oleju w silniku.	➤ Spuścić olej (patrz rozdz. „Wymiana oleju” na stronie 285).
	Za wysokie obciążenie.	➤ Wyłączyć odbiorniki.
	Wlot powietrza jest zatkany.	➤ Zlecić kontrolę filtra powietrza (patrz rozdz. „Konserwacja filtra powietrza” na stronie 286).
	Uszkodzony inwerter.	➤ Zwrócić się do autoryzowanego warsztatu.
	Zakłócenie w zasilaniu pompy elektrycznej.	
	Zawory wtryskowe zabrudzone.	
Generator działa, jednak nie generuje napięcia.	Uszkodzony inwerter.	➤ Zwrócić się do autoryzowanego warsztatu.
	Nieprawidłowo wykonane połączenia elektryczne.	➤ Sprawdzić połączenia elektryczne.



Usterka	Przyczyna	Usuwanie
Generowane napięcie jest niestabilne.	Za wysokie obciążenie.	➤ Wyłączyć odbiorniki.
	Wlot powietrza jest zatkany.	➤ Zlecić kontrolę filtra powietrza (patrz rozdz. „Konserwacja filtra powietrza” na stronie 286).
	Uszkodzony inwerter.	➤ Zwrócić się do autoryzowanego warsztatu.
	Zakłócenie w zasilaniu pompy elektrycznej.	
	Zawory wtryskowe zabrudzone.	
Ładowarka akumulatora nie dostarcza napięcia.	Uszkodzony bezpiecznik ładowarki akumulatora.	➤ Wymienić bezpiecznik.

## 12 Gwarancja

Obowiązuje ustawowy okres gwarancji. Jeśli produkt jest uszkodzony, należy zgłosić się do partnera serwisowego w danym kraju (adresy dostępne na odwrocie instrukcji).

Nasi specjaliści służą chętnie pomocą i omówią z Państwem dalszy przebieg gwarancji.

## 13 Utylizacja

- Opakowanie należy wyrzucić do odpowiedniego pojemnika na śmieci do recyklingu.





Jeżeli produkt nie będzie dłużej eksploatowany, koniecznie dowiedz się w najbliższym zakładzie recyklingu lub w specjalistycznym sklepie, jakie są aktualnie obowiązujące przepisy dotyczące utylizacji.



### Chroń środowisko naturalne!

Akumulatory i baterie nie zaliczają się do odpadów domowych. Uszkodzone akumulatory lub zużyte baterie należy przekazać do punktu sprzedaży lub punktu przyjmującego surowce wtórne.

## 14 Dane techniczne

	<b>Dometic TEC40D</b>
Nr art.:	9102900201
Napięcie znamionowe wyjściowe:	230 V~ / 50 Hz
Maksymalna moc ciągła (przy 25 °C na wysokości morza):	3500 W
Napięcie wyjściowe ładowarki akumulatora:	12 V===
Maks. prąd wyjściowy ładowarki akumulatora:	60 A
Zakres temperatury roboczej:	od -15 °C do +50 °C
Paliwo:	Olej napędowy wg EN 590
Silnik:	Hatz (1 B 30V)
Zużycie:	maks. 1,4 l/h
Moc silnika:	4,7 kW (6,4 KM)
Maks. prędkość obrotowa:	3300 min <sup>-1</sup>
Olej silnikowy:	1,1 l
Poziom hałasu:	89 dB(A)
Poziom hałasu w odległości 7 m:	64 dB(A)
Wymiary:	patrz rys. <b>9</b> , strona 7
Waga:	96,5 kg
Kontrola/certyfikat:	 

**Před uvedením do provozu si pečlivě přečtěte tento návod k obsluze a uschovejte jej. V případě dalšího prodeje výrobku předejte návod novému uživateli.**

## Obsah

1	Vysvětlení symbolů . . . . .	292
2	Bezpečnostní pokyny . . . . .	292
3	Cílová skupina tohoto návodu . . . . .	294
4	Rozsah dodávky . . . . .	295
5	Příslušenství . . . . .	295
6	Použití v souladu se stanoveným účelem . . . . .	295
7	Technický popis . . . . .	296
8	Obsluha generátoru . . . . .	298
9	Čištění generátoru . . . . .	303
10	Údržba generátoru . . . . .	304
11	Odstraňování poruch . . . . .	309
12	Záruka . . . . .	310
13	Likvidace . . . . .	310
14	Technické údaje . . . . .	311

# 1 Vysvětlení symbolů

**VÝSTRAHA!**

**Bezpečnostní pokyny:** Následkem nedodržení pokynů mohou být smrtelná nebo vážná zranění.

**UPOZORNĚNÍ!**

**Bezpečnostní pokyny:** Následkem nedodržení mohou být úrazy.

**POZOR!**

Nedodržení pokynů může mít za následek hmotné škody a narušení funkce výrobku.

**POZNÁMKA**

Doplňující informace týkající se obsluhy výrobku.

➤ **Činnost:** Tento symbol vás vyzývá k tomu, abyste něco učinili. Potřebné činnosti jsou popisovány v příslušném pořadí.

✓ Tento symbol popisuje výsledek určité činnosti.

**Obr. 1 5, strana 3:** Tento údaj odkazuje na prvek, zobrazený na obrázku. Na tomto příkladu se jedná o „pozici 5 na obrázku 1 na straně 3“.

## 2 Bezpečnostní pokyny

V následujících případech nepřebírá výrobce žádné záruky za škody:

- Poškození výrobku působením mechanických vlivů a přepětí
- Změna výrobku bez výslovného souhlasu výrobce
- Použití k jiným účelům, než jsou popsány v tomto návodu

Především pak neručí za žádné následné škody, zejména také škody, které mohou vzniknout výpadkem generátoru.

Při použití elektrických přístrojů dodržujte následující zásadní bezpečnostní opatření k ochraně před těmito nebezpečími:

- úraz elektrickým proudem
- nebezpečí požáru
- úrazy

## 2.1 Základní bezpečnost



### NEBEZPEČÍ!

- **Nepoužívejte** výrobek v prostorách s nebezpečím exploze.



### VÝSTRAHA!

- **Elektrické přístroje nejsou hračky pro děti!**

Děti nedokáží správně posoudit nebezpečí, která jsou spojena s elektrickými přístroji. Děti nenechávejte bez dozoru používat elektrické přístroje.

- Tento přístroj mohou používat děti od 8 let a osoby se sníženými fyzickými, sensorickými nebo mentálními schopnostmi, nebo osoby s nedostatkem zkušeností a/nebo znalostí, pokud budou pod dozorem nebo pokud byly poučeny o bezpečném použití přístroje a porozuměly nebezpečím, která z použití výrobku vyplývají.
- Používejte přístroj pouze v souladu s jeho určením.
- Neprovádějte žádné úpravy nebo změny přístroje!
- Instalaci, údržbu a opravy generátoru směřují provádět pouze odborníci, kteří jsou seznámeni s nebezpečími při manipulaci s generátory a s příslušnými předpisy. Nesprávně provedené opravy mohou být zdrojem značných rizik. V případě oprav kontaktujte servisní středisko výrobce ve své zemi (adresy jsou uvedeny na zadní straně).
- Během údržby vyznačte oblast kolem přístroje a zabraňte přístupu k částem, jejichž aktivací může dojít k ohrožení.
- Odpadní plyny obsahují oxid uhelnatý. Jedná se o mimořádně toxický plyn bez barvy a zápachu. Nevdechujte odpadní plyny. Motor generátoru nenechávejte běžet v uzavřené garáži nebo v místnosti bez oken.

**UPOZORNĚNÍ!**

- Generátor smíte používat pouze se zavřeným inspekčním krytem.
- Odstraňte z blízkosti generátoru všechny hořlavé materiály, jako jsou benzín, laky, rozpouštědla apod.
- Zkontrolujte, zda se do kontaktu s hořlavými materiály nemohou dostat žádné horké součásti generátoru.
- Palivo doplňujte pouze po vypnutí generátoru v dobře větraném prostředí. Nafta je vysoce hořlavá a může explodovat.
- Do generátoru nedoplňujte palivo, pokud je nastartovaný motor vozidla a pokud je nádrž v blízkosti motoru vozidla.
- Vylitou naftu dobře otřete a vyčkejte před nastartováním motoru, než se rozptýlí výpary.
- Nedotýkejte se generátoru a vodičů mokřkýma rukama.
- Pojistky vyměňujte pouze za výrobky o stejných technických parametrech.

**POZOR!**

- Nádrž nepřepĺňujte. V ústí nádrže nesmí být žádné palivo. Zkontrolujte, zda je správně uzavřeno víčko.

## 2.2 Bezpečnost za provozu přístroje

**VÝSTRAHA!**

- Při práci na přístroji vždy přerušete napájení elektrickým proudem.

**POZOR!**

- Přístroj používejte pouze za předpokladu, že jsou kryt přístroje a rozvody nepoškozené.

## 3 Cílová skupina tohoto návodu

Tento návod k obsluze je určen uživatelům generátoru.

## 4 Rozsah dodávky

Název	Číslo výrobku
Generátor TEC40D	9102900201
Dálkový ovladač	
Odvod spalin, 2 m	
Upevňovací materiál pro tlumič hluku	
Přívodní kabel	
AG 102, přepínací relé k realizaci prioritního spínání	
Upevňovací materiál	
Návod k instalaci	
Návod k obsluze	

## 5 Příslušenství

Dodávané příslušenství (není součástí dodávky):

Název součásti	Číslo výrobku
PR 25044, externí sada těsnění	9102900174

## 6 Použití v souladu se stanoveným účelem

Generátor TEC40D (výr. č. 9102900201) je konstruován k použití v obytných vozech, obytných automobilech a v komerčně využívaných vozidlech.

Generátor **není** určen k instalaci v plavidlech.

Generátor generuje čistě sinusové střídavé napětí 230 V/50 Hz, ke kterému mohou být připojeny spotřebiče o celkovém trvalém zatížení 3500 W. Kvalita proudu je vhodná i pro citlivé spotřebiče (např. počítače).

Generátor lze používat k nabíjení baterie 12 V.

## 7 Technický popis

Generátor se skládá z následujících hlavních součástí (obr. **1**, strana 3):

- Generátor střídavého proudu (**1**)
- Endotermický motor (**2**)
- Připojovací panel (**3**)
- Invertor (**4**)
- Dálkový ovladač (**5**)

Endotermický motor (**2**) roztáčí generátor střídavého proudu (**1**), který je s ním pevně spojen, a generátor vyrábí střídavé napětí.

Integrovaný invertor (**4**) upravuje toto střídavé napětí na stabilní napětí 230 V a 50 Hz, které je dostupné na svorkách invertoru. Zdíčka pro přívodní kabel je instalována na dálkovém ovladači (**5**) invertoru.

Na připojovacím panelu (**3**) za dvířky jsou instalovány přívodní svorky a hlavní vypínač.

Generátor je vybaven integrovanou nabíječkou baterií k nabíjení připojené baterie.

### Ovládací prvky na rozvodné skříňce

Rozvodná skříňka je umístěna na generátoru za krytem.

Poz. na obr. <b>2</b> , strana 3	Popis	
1	Hlavní vypínač	Zapnutí generátoru do pohotovostního režimu nebo vypnutí jeho funkce.
2	Připojovací svorka kladného pólu baterie	Připojení ke kladné svorce baterie.
3	Hlavní pojistka	Vypne při přepětí invertoru
4	Pojistka nabíječky baterie	Vypne při přepětí nabíječky baterie



## Ovládací prvky na dálkovém ovladači

Dálkový ovladač je umístěn uvnitř vozidla.

Poz. na obr. 3, strana 4	Popis	
1	Displej	Zobrazení stavových hlášení.
2	Vypínač „0“	Zapnutí a vypnutí ovládacího panelu, pokud je hlavní vypínač v poloze „I“ nebo „1“. Vypnutí generátoru v nouzovém případě.
3	Zelené tlačítko „START/STOP“	Zapnutí a vypnutí generátoru, pokud je ovládací panel zapnutý a hlavní vypínač je v poloze „I“ nebo „1“.
4	Ukazatel stavu paliva	Rozsvítí se, jakmile nafta dosáhne úrovně rezervního množství.
5	Ukazatel stavu oleje	Rozsvítí se, jakmile je hladina oleje v motoru příliš nízká.

## Zobrazení na displeji

Poz. na obr. 3, strana 4	Popis	
6	Střídavé napětí	Aktuální výstupní napětí
7	Trvalý výkon	Aktuální výkon připojených spotřebičů
8	Provozní hodiny	Doba, po kterou je generátor v provozu
9	Stejnoseměrné napětí	Napětí baterie
10	Hlášení	Stavové hlášení generátoru (viz kap. „Hlášení na displeji“ na straně 300)

## 8 Obsluha generátoru



### **POZOR!**

Nenamáhejte generátor v prvních 50 hodinách provozu (fáze záběhu) na hodnotu vyšší než 70 % maximálního trvalého výkonu.



### **POZNÁMKA**

Ve fázi záběhu namáhejte generátor zatížením max cca 75 % maximálního trvalého výkonu.

Můžete tím prodloužit životnost generátoru a maximalizovat jeho výkon.

### 8.1 Důležité pokyny k obsluze



### **UPOZORNĚNÍ! Nebezpečí úrazu!**

Výdechy vzduchu a mřížku sání neblokuje prsty ani žádnými předměty.

Dodržujte následující základní pokyny:

- Pokud generátor provozujete za nízkých teplot (< 0 °C), musíte používat naftu pro zimní provoz nebo musíte do nafty přilít určitou procentuální část benzínu podle následující tabulky:

Okolní teplota	Letní nafta	Zimní nafta
-10 až 0 °C	20 %	–
-15 až -10 °C	30 %	–
-20 až -15 °C	30 %	20 %

- Před každým použitím zkontrolujte stav oleje (kap. „Kontrola hladiny oleje“ na straně 302).
- I malá přetížení vedou k trvalému vypnutí generátoru.
- Po použití a před vypnutím nechte generátor několik minut běžet bez připojených spotřebičů.
- Ostré brzdění, akcelerace a rychlé projíždění zatáček vozidlem může vyvolat potíže s čerpadlovým systémem generátoru a nechtěné vypnutí.
- Pokud nebudete generátor delší dobu používat, musíte jej minimálně jednou za 10 dní nastartovat a nechat minimálně 15 minut běžet.

## 8.2 Přepnutí generátoru do provozní pohotovosti nebo odpojení funkce

Hlavním vypínačem (obr. **2** 1, strana 3) na rozvodné skříňce generátoru zapnete do provozní pohotovosti nebo odpojíte jeho funkce.

## 8.3 Zapnutí a vypnutí ovládacího panelu

Vypínačem (obr. **3** 2, strana 4) na ovládacím panelu ovládací panel zapnete a vypnete.

- Zapněte ovládací panel vypínačem.
- ✓ Na displeji se zobrazí hlášení: *GEN OFF*.  
Displej se za 5 min. automaticky vypne, pokud během této doby nestisknete tlačítko startéru.  
Stisknutím tlačítka startéru můžete displej opět zapnout.
- ✓ Nyní můžete nastartovat generátor.

## 8.4 Nastartování generátoru

Generátor můžete nastartovat pouze za předpokladu, že je aktivován do provozní pohotovosti a pokud je ovládací panel zapnutý.



### **POZNÁMKA**

U dosud teplého generátoru stiskněte tlačítko startéru pouze krátce, pokud je generátor studený, tlačítko podržte.

- Zapněte generátor zeleným tlačítkem „START/STOP“ (obr. **3** 3, strana 4).

## 8.5 Vypnutí generátoru

- Vypněte generátor vypínačem (obr. **3** 2, strana 3).  
Pokud generátor nelze zastavit: Vypněte generátor hlavním vypínačem (obr. **2** 1, strana 3).

## 8.6 Hlášení na displeji

Hlášení na displeji Popis	Chování generátoru	Opatření
<b>LOW BATTERY</b> Napětí baterie pokleslo pod minimální hodnotu, která umožňuje nastartování (9 V).	Generátor nelze nastartovat.	Nabijte baterii.
<b>CHECK OIL LEVEL</b>	Generátor běží dál.	Doplňte olej (viz kap. „Kontrola hladiny oleje“ na strani 302).
<b>OIL CHANGE</b> Počítadlo provozních hodin dosáhlo hodnotu určenou k výměně oleje.	Generátor běží dál.	Proveďte výměnu oleje (viz kap. „Výměna oleje“ na strani 306). K resetu poplachu nastartujte generátor: stiskněte tlačítko „START/STOP“ a podržte je stisknuté.
<b>NO FUEL</b> Obsah nafty v nádrži dosáhl rezervního množství.	Generátor běží dál.	Doplňte palivo.
<b>OIL TEMP PRESS</b> Chybí olej v motoru. Příliš vysoká teplota motoru.	Generátor se zastaví.	Doplňte olej (viz kap. „Kontrola hladiny oleje“ na strani 302).  Nechejte generátor vychladnout, vyčkejte několik minut, potom generátoru znovu nastartujte.
<b>GENERATOR ALERT!</b> Obecné výstražné hlášení	Generátor se zastaví.	Zkontrolujte systém podle tabulky s poruchami, jejich příčinami a možnostmi odstranění.  V případě setrvávajícího problému kontaktujte servisní středisko výrobce ve vaší zemi (adresy jsou uvedeny na zadní straně).
<b>OVERLOAD!</b> Spotřebiče přetížily výstup.	Invertor se vypne, proto již není dodáváno žádné napětí, ale motor běží dál, dokud nevypne.	Snižte připojené zatížení a znovu nastartujte generátor.

Hlášení na displeji Popis	Chování generátoru	Opatření
<i>SHORT CIRCUIT</i> Spotřebiče zkratovaly výstup.	Invertor se vypne, proto již není dodáváno žádné napětí, ale motor běží dál, dokud nevypne.	Zkontrolujte stav připojených spotřebičů a potom znovu nastartujte generátor.
<i>OVER TEMPERATURE</i> Příliš vysoká teplota invertoru.	Invertor se vypne, proto již není dodáváno žádné napětí, ale motor běží dál, aby chladil generátor.	Nechte generátor vychladnout, vyčkejte několik minut, potom generátoru znovu nastartujte.
<i>LOW POWER ENGINE</i> Pokles napájecího napětí invertoru.	Generátor se zastaví.	Snižte připojené zatížení a znovu nastartujte generátor.
<i>GEN CAL</i> Hlášení, které se zobrazí při nastartování generátoru. Informuje o fázi kalibrace, která je provedena při každém nastartování. Generátor zatím negeneruje žádné napětí.	Generátor běží, ale negeneruje napětí.	Počkejte chvíli.
<i>GEN WAIT</i> Hlášení, které se zobrazí v pauze mezi dvěma pokusy o nastartování.	Generátor je vypnutý.	Vyčkejte, dokud hlášení nezmizí, potom se znovu pokuste nastartovat.
<i>GEN ON</i> Běžný provoz generátoru.	Běžný provoz	–
<i>GEN OFF</i>	Generátor je v pohotovostním režimu a můžete jej nastartovat.	–

## 8.7 Kontrola hladiny oleje



### UPOZORNĚNÍ!

Horký olej může způsobit popáleniny.  
Kontrolujte hladinu oleje pouze na vypnutém generátoru.



### POZNÁMKA

Generátor musí být ve vodorovné poloze.

Před každým použitím zkontrolujte stav oleje. Postupujte takto:

- Otevřete kryt generátoru.
- Vypněte generátor hlavním vypínačem (obr. 4 1, strana 4).
- Odpojte přípojku kladného pólu napájecí baterie.
- Vytáhněte měрку (obr. 4 2, strana 4) z plnicího hrdla (obr. 4 3, strana 4).
- Vyčistěte měрку (obr. 4 2, strana 4) utěrkou.
- Nasaděte měрку (obr. 4 2, strana 4) správně do plnicího hrdla (obr. 4 3, strana 4).
- Vytáhněte měрку (obr. 4 2, strana 4) z plnicího hrdla.
- Zkontrolujte, zda je hladina oleje mezi ryskou (maximální hladina) a hrotem měřky.  
Pokud ne, dolijte olej.
- Nasaděte měрку (obr. 4 2, strana 4) správně do plnicího hrdla (obr. 4 3, strana 4).
- Připojte generátor ke kladnému pólu napájecí baterie.
- Generátor přepněte hlavním vypínačem (obr. 4 1, strana 4) do pohotovostního režimu.
- Zavřete kryt generátoru.

## 9 Čištění generátoru



### ***POZOR! Nebezpečí poškození!***

- Nečistěte generátor vysokotlakým čističem. Vniknutím vody může dojít k poškození generátoru.
- K čištění nepoužívejte ostré nebo tvrdé předměty ani čisticí prostředky, může dojít k poškození generátoru.
- K čištění generátoru používejte pouze vodu s šetrným čisticím prostředkem. V žádném případě nepoužívejte benzín, naftu nebo rozpouštědla.

- Příležitostně kryt generátoru očistěte zvenčí zvlhčenou utěrkou.
- Pravidelně odstraňujte nečistoty z větracích otvorů generátoru. Dávejte pozor, abyste přitom nepoškodili lamely generátoru.

# 10 Údržba generátoru

## 10.1 Tabulka údržby



### VÝSTRAHA!

Veškerou údržbu nechejte provést pouze odborníky, kteří jsou seznámeni s příslušnými předpisy. Nesprávně provedená údržba může být zdrojem značných rizik.



### POZNÁMKA

Následující činnosti v rámci údržby nechejte provést v uvedených intervalech nebo podle počtu provozních hodin na základě toho, která z možností nastane dříve.

Interval	Kontrola/údržba
První měsíc nebo po 50 hodinách	<ul style="list-style-type: none"> <li>➤ Nechejte vyměnit olej.</li> </ul>
Každých 250 hodin	<ul style="list-style-type: none"> <li>➤ Nechejte vyměnit olej.</li> <li>➤ Nechejte vyčistit chladicí systém motoru.</li> <li>➤ Nechejte zkontrolovat vůli ventilů a šroubů. Příp. nechejte seřídít vůli ventilů a dotáhnout šrouby.</li> <li>➤ Nechejte provést kontrolu vzduchového filtru (kap. „Údržba vzduchového filtru“ na straně 308).</li> </ul>
Každých 500 hodin	<ul style="list-style-type: none"> <li>➤ Nechejte provést výměnu vzduchového a palivového filtru.</li> </ul>
Každoročně nebo každých 1000 hodin	<ul style="list-style-type: none"> <li>➤ Nechejte vyčistit olejový filtr.</li> </ul> <p>Následující činnosti musí provést autorizovaný prodejce HATZ nebo odborníci školení společností Dometic:</p> <ul style="list-style-type: none"> <li>➤ Nechejte provést údržbu vstřikovacího palivového čerpadla.</li> <li>➤ Nechejte provést údržbu tlumičů vibrací.</li> </ul>



## 10.2 Příprava údržby



### UPOZORNĚNÍ!

Při všech činnostech údržby pamatujte:

- Generátor nesmí být v provozu.
- Všechny součásti musejí být vychladlé.

- Otevřete kryt generátoru.
- Vypněte generátor hlavním vypínačem (obr. **2** 1, strana 3).
- Odpojte přípojku kladného pólu napájecí baterie.

V zájmu provedení údržby lze generátor vytáhnout ven:



### VÝSTRAHA!

Nosná deska s generátorem je velmi těžká (> 90 kg) a v případě přílišného povytažení ven může ze skříně vypadnout.

- Povolte upevňovací šroub (obr. **5** 1, strana 5).
- Vytáhněte nosnou desku (obr. **5** 2, strana 5) s generátorem ze skříně.

## 10.3 Dokončení údržby

- Připojte generátor ke kladnému pólu napájecí baterie.
- Generátor přepněte hlavním vypínačem (obr. **2** 1, strana 3) do pohotovostního režimu.
- Zavřete kryt generátoru.

## 10.4 Výměna oleje

**UPOZORNĚNÍ!**

Horký olej může způsobit popáleniny.

**POZOR!**

Použitý olej bezpodmínečně odevzdejte specializované firmě k likvidaci a recyklaci a dodržujte zákony o ochraně životního prostředí, platné v příslušné zemi.

Můžete používat tyto oleje:

- Olej s vlastnostmi:
  - CCMC D4, D5, PD
  - API CD, CE, CF, CG
  - SHPD
- Olej tříd SAE:
  - 5W-30
  - 5W-40
  - 100W
  - 100W-30 (doporučeno)
  - 10W-30
  - 15W-30
  - 30
  - 40
- Olej s jedním rozsahem viskozity:

Vyberte vhodnou viskozitu v závislosti na průměrné teplotě oleje.

Vyměňte olej takto (obr. **6**, strana 5):

- Nechejte generátor tři až pět minut zahřívát, aby byl olej tekutější a rychleji a zcela vytekl.
- Vytáhněte měрку (1) z plnicího hrdla (2).
- Do blízkosti olejové hadice (5) postavte vhodnou nádobu (4).
- Uvolněte sponu (3).
- Vyjměte olejovou hadici (5) a vypusťte olej do nádoby (4).
- Nasad'te olejovou hadici (5) na přípojku hadice.
- Upevněte olejovou hadici (5) sponou (3).
- Dopln'te do plnicího hrdla nový olej (2).  
Maximální množství oleje je 1,1 l.  
Hladina oleje musí být mezi drážkami pro maximální a minimální hladinu na měrci (1).
- Nasad'te měрку (1) správně do plnicího hrdla (2).

## 10.5 Výměna palivového filtru



### **POZOR!**

Zlikvidujte uniklé palivo v souladu se zákony o ochraně životního prostředí platnými v příslušné zemi.

V generátoru jsou dva palivové filtry (obr. **7** 2 a 4, strana 6).

- Pod palivový filtr (obr. **7** 2 a 4, strana 6) postavte vhodnou nádobu.
- Povolte upevňovací spony (obr. **7** 1 a 3, strana 6).
- Vyjměte palivový filtr a nasad'te nový.
- Opět utáhněte upevňovací spony.

## 10.6 Údržba vzduchového filtru



### **VÝSTRAHA! Nebezpečí exploze!**

Nepoužívejte k čištění vzduchového filtru naftu nebo rozpouštědla s nízkým bodem vypařování. Může dojít ke vznícení nebo explozi.



### **UPOZORNĚNÍ!**

Používejte ochrannou dýchací masku a ochranné brýle.



### **POZOR!**

Nikdy nenechávejte motor běžet bez vzduchového filtru. V opačném případě se motor rychle opotřebuje.



### **POZNÁMKA**

Pokud je vzduchový filtr znečištěný, sníží se objem vzduchu, který proudí do motoru. Aby motor dobře fungoval, musíte pravidelně kontrolovat stav filtru. Kontrolujte stav častěji, pokud generátor používáte v mimořádně prašném prostředí.

Zkontrolujte a vyměňte vzduchový filtr takto (obr. **8**, strana 6):

- Odstraňte upevňovací víčko (1) a kryt filtru (2).
- Odšroubujte křídlovou matici (3).
- Odstraňte vzduchový filtr (4).
- Pečlivě zkontrolujte stav vzduchového filtru (4):  
Posviťte si svítilnou do vzduchového filtru a zkontrolujte, zda není poškozená papírová membrána.  
Vyměňte vzduchový filtr:
  - Pokud je poškozený
  - Pokud je znečištěn vlhkými nebo mastnými nečistotami
- Očistěte nepoškozený vzduchový filtr od suchých nečistot.  
Vyčistěte vzduchový filtr suchým stlačeným vzduchem (nepoužívejte žádné pneumatické nástavce s tlakem vyšším než 2 až 2,5 baru): Foukejte stlačeným vzduchem zevnitř ven, dokud zcela neodstraníte prach.
- Vyčistěte kryt filtru (2).
- Vložte vzduchový filtr (4).

- Našroubujte křídlovou matici (3).
- Opět instalujte kryt filtru (2).
- Upevněte kryt filtru (2) upevňovacím víčkem (1).

## 11 Odstraňování poruch

Porucha	Příčina	Odstranění
Po stisknutí vypínače nedojde k zapnutí ovládacího panelu.	Vybitá startovací baterie.	➤ Nabijte startovací baterii.
	Přerušený přívodní kabel nebo odpojená zástrčka.	➤ Kontaktujte autorizovaný odborný servis.
	Vypnula pojistka (pokud je instalována).	
Po stisknutí tlačítka startéru se startér neotáčí.	Vybitá startovací baterie.	➤ Nabijte startovací baterii.
	Hlavní vypínač je v poloze „0“.	➤ Přepněte hlavní vypínač do polohy „I“ nebo „1“.
	Poškozená základní deska. Startér není napájen proudem.	➤ Kontaktujte autorizovaný odborný servis.
Startér se otáčí, ale generátor nenastartuje.	Znečištěné vstřikovací ventily Závada motoru	➤ Kontaktujte autorizovaný odborný servis.
Generátor má tendenci se vypínat.	V motoru je příliš velké množství oleje.	➤ Odlijte část oleje (viz kap. „Výměna oleje“ na strani 306).
	Příliš vysoké zatížení.	➤ Odpojte spotřebič.
	Ucpané sání vzduchu.	➤ Nechejte provést kontrolu vzduchového filtru (viz kap. „Údržba vzduchového filtru“ na strani 308).
	Poškozený invertor Porucha napájení vstřikovacího čerpadla elektrickým proudem. Znečištěné vstřikovací ventily	➤ Kontaktujte autorizovaný odborný servis.
Generátor nastartoval, ale negeneruje napětí.	Poškozený invertor	➤ Kontaktujte autorizovaný odborný servis.
	Nesprávné elektrické připojení.	➤ Zkontrolujte elektrické spoje.

Porucha	Příčina	Odstranění
Generované napětí je nestabilní.	Příliš vysoké zatížení.	➤ Odpojte spotřebič.
	Ucpané sání vzduchu.	➤ Nechejte provést kontrolu vzduchového filtru (viz kap. „Údržba vzduchového filtru“ na straně 308).
	Poškozený invertor	➤ Kontaktujte autorizovaný odborný servis.
	Porucha napájení vstřikovacího čerpadla elektrickým proudem.	
	Znečištěné vstřikovací ventily	
Nabíječka baterie neregeneruje žádné napětí.	Poškozená pojistka nabíječky baterie.	➤ Vyměňte pojistku.

## 12 Záruka

Na výrobek je poskytována záruka v souladu s platnými zákony. Pokud je výrobek vadný, kontaktujte servisního partnera ve vaší zemi (adresy viz zadní strana tohoto návodu).

Naši odborníci vám rádi pomohou a projednají s vámi další průběh záruky.

## 13 Likvidace

➤ Obalový materiál likvidujte v odpadu určeném k recyklaci.





Jakmile výrobek zcela vyřadíte z provozu, informujte se v příslušných recyklačních centrech nebo u specializovaného prodejce o příslušných předpisech o likvidaci odpadu.



### **Chraňte životní prostředí!**

Akumulátory a baterie nepatří do domovního odpadu. Odevzdejte vadné akumulátory nebo vybité baterie prodejci nebo na sběrném místě.

## 14 Technické údaje

	<b>Dometic TEC40D</b>
Výr. č.:	9102900201
Výstupní jmenovité napětí:	230 V~ / 50 Hz
Max. trvalý výkon (při 25 °C v úrovni moře):	3500 W
Výstupní napětí nabíječky baterie:	12 V==
Max. výstupní proud nabíječky baterie:	60 A
Rozsah provozních teplot:	-15 °C až +50 °C
Palivo:	Nafta podle EN 590
Motor:	Hatz (1 B 30V)
Spotřeba:	max. 1,4 l/h
Výkon motoru:	4,7 kW (6,4 PS)
Max. otáčky:	3300 min <sup>-1</sup>
Motorový olej:	1,1 l
Hlučnost:	89 dB(A)
Hladina hluku ve vzdálenosti 7 m:	64 dB(A)
Rozměry:	viz obr. <b>9</b> , strana 7
Hmotnost:	96,5 kg
Zkouška/certifikát:	 

**Pred uvedením zariadenia do prevádzky si prosím pozorne prečítajte tento návod a odložte si ho. V prípade odovzdania výrobku ďalšiemu používateľovi mu odovzdajte aj tento návod.**

## Obsah

1	Vysvetlenie symbolov . . . . .	313
2	Bezpečnostné pokyny . . . . .	314
3	Cieľová skupina tohto návodu . . . . .	316
4	Obsah dodávky . . . . .	316
5	Príslušenstvo . . . . .	316
6	Používanie v súlade s určeným účelom použitia . . . . .	317
7	Technický popis . . . . .	317
8	Ovládanie generátora . . . . .	319
9	Čistenie generátora . . . . .	325
10	Údržba generátora . . . . .	326
11	Odstránenie porúch . . . . .	331
12	Záruka . . . . .	332
13	Likvidácia . . . . .	332
14	Technické údaje . . . . .	333



# 1 Vysvetlenie symbolov

**VÝSTRAHA!**

**Bezpečnostný pokyn:** Nerešpektovanie môže viesť k smrti alebo k ťažkému zraneniu.

**UPOZORNENIE!**

**Bezpečnostný pokyn:** Nerešpektovanie môže viesť k zraneniam.

**POZOR!**

Nerešpektovanie môže viesť k materiálnym škodám a môže ovplyvniť funkciu zariadenia.

**POZNÁMKA**

Doplňujúce informácie k obsluhu výrobku.

► **Konanie:** Tento symbol vám ukáže, že musíte niečo urobiť. Potrebné konania budú popísane krok za krokom.

✓ Tento symbol popisuje výsledok niektorého konania.

**Obr. 1 5, strana 3:** Tento údaj poukazuje na prvok v niektorom obrázku, v tomto príklade na „Pol. 5 v Obr. 1 na strane 3“.

## 2 Bezpečnostné pokyny

Výrobca v nasledujúcich prípadoch nepreberá za škody žiadnu záruku:

- Poškodenia produktu mechanickými vplyvmi a prepätiami
- Zmeny produktu bez vyjadreného povolenia výrobcu
- Použitie na iné účely ako sú účely uvedené v návode

Predovšetkým neručí za akékoľvek následné škody, zvlášť nie ani za následné škody, ktoré môžu vzniknúť následkom výpadku generátora.

Dodržiavajte nasledovné základné bezpečnostné pokyny pri používaní elektrických zariadení na ochranu pred:

- úrazom elektrickým prúdom,
- nebezpečenstvom požiaru,
- poraneniami.

### 2.1 Základy bezpečnosti



#### NEBZPEČENSTVO!

- Prístroj **neprevádzkujte** v priestoroch, v ktorých hrozí nebezpečenstvo výbuchu.



#### VÝSTRAHA!

- **Elektrické prístroje nie sú hračkou pre deti!**  
Deti nedokážu správne posúdiť riziká, ktoré predstavujú elektrické prístroje. Nenechávajte deti, aby používali elektrické prístroje bez dozoru.
- Prístroj smú používať deti od 8 rokov a osoby so zníženými psychickými, zmyslovými alebo mentálnymi schopnosťami a vedomosťami, keď sú pod dozorom alebo keď boli poučené o bezpečnom používaní prístroja a keď chápu, aké riziká z toho vyplývajú.
- Prístroj požívajte len v súlade s jeho určeným používaním.
- Na prístroji neuskutočňujte žiadne zmeny alebo prestavby!

- Inštaláciu, údržbu a opravy generátora smú uskutočňovať len odborníci s príslušnou kvalifikáciou, ktorí sú oboznámení s rizikami spojenými s manipuláciou s generátormi a s príslušnými predpismi. Neodbornými opravami môžu vzniknúť značné nebezpečenstvá. V prípade opravy sa obráťte na pobočku výrobcu vo vašej krajine (adresy na opačnej strane).
- Pri údržbárskych prácach označte oblasť okolo prístroja a zablokujte prístup k oblastiam, ktorých aktivovanie vedie k vzniku nebezpečenstva.
- Odpadové plyny obsahujú oxid uhoľnatý, mimoriadne toxický, bezfarebný plyn bez zápachu. Výpary nevdychujte. Nenechajte motor bežať v zatvorenej garáži alebo v miestnosti bez okien.



### UPOZORNENIE!

- Generátor sa smie používať výlučne pri uzatvorenej kontrolnej klapke.
- Odstráňte všetky ľahko zápalné materiály ako benzín, laky, rozpúšťadlá atď. z blízkosti generátora.
- Uistite sa, že žiadne rýchlo sa zahrievajúce časti generátora neprídu do kontaktu s ľahko zápalnými materiálmi.
- Palivo do generátora čerpajte len vtedy, keď je vypnutý a v dobre vetraných priestoroch. Nafta je vysoko zápalná a môže vybuchnúť.
- Palivo do generátora nečerpajte pri zapnutom motore, keď sa nádrž nachádza v blízkosti motora vozidla.
- Rozliatu naftu dobre poutierajte a pred naštartovaním motora počkajte, pokiaľ sa nestratia výpary z paliva.
- Nedotýkajte sa generátora a vedení vlhkými rukami.
- Poistky vymieňajte len za také, ktoré majú rovnakú technickú špecifikáciu.



### POZOR!

- Nádrž neplňte úplne do plna. V krku nádrže sa nesmie nachádzať žiadne palivo. Skontrolujte, či je veko správne uzatvorené.

## 2.2 Bezpečnosť pri prevádzke zariadenia



### VÝSTRAHA!

- Pri práci na zariadení vždy prerušte prívod elektrického prúdu.



### POZOR!

- Zariadenie používajte len vtedy, keď kryt a vedenia nie sú poškodené.

## 3 Cieľová skupina tohto návodu

Tento návod na obsluhu sa obracia na používateľov generátora.

## 4 Obsah dodávky

Označenie	Tovarové číslo
Generátor TEC40D	9102900201
Diaľkové ovládanie	
Potrubie na odpadové plyny, 2 m	
Upevňovací materiál na tlmič	
Pripájací kábel	
AG 102, prepínacie relé na realizáciu prioritného spínania	
Upevňovací materiál	
Montážny návod	
Návod na obsluhu	

## 5 Príslušenstvo

Dostupné ako príslušenstvo (nie je súčasťou dodávky):

Označenie dielcov	Číslo výrobku
PR 25044, externá tesniaca súprava	9102900174

## 6 Používanie v súlade s určeným účelom použitia

Generátor TEC40D (tov. č. 9102900201) je určený na použitie v obytných vozidlách, karavanoch a v komerčne používaných vozidlách.

Generátor **nie** je vhodný na prevádzku v plavidlách.

Generátor vyrába čisté striedavé sínusové napätie 230 V/50 Hz, na ktoré možno pripojiť spotrebiče s celkovým stálym zaťažením 3500 W. Kvalita prúdu je vhodná aj pre citlivé spotrebiče (napr. PC).

Generátor môže nabíjať batériu 12 V.

## 7 Technický popis

Generátor pozostáva z nasledujúcich hlavných prvkov (obr. **1**, strane 3):

- Generátor na striedavý prúd (1)
- Endotermický motor (2)
- Pripájací panel (3)
- Invertor (4)
- Diaľkové ovládanie (5)

Endotermický motor (2) roztočí generátor striedavého prúdu (1), ktorý je s ním pevne spojený a tento vyrába striedavé napätie.

Integrovaný invertor (4) premieňa toto striedavé napätie na stabilné napätie 230 V a 50 Hz, ktoré je k dispozícii na svorkách invertora. Na invertore je je konektor pre pripojovací kábel namontovaný na diaľkovom ovládaní (5).

Na pripojovacom paneli (3) za dverami sa nachádzajú pripojovacie svorky a hlavný spínač.

Generátor má integrovanú nabíjačku batérie na nabíjanie pripojenej batérie.

## Ovládacie prvky na prípojnom boxe

Prípojný box sa nachádza na generátore za krytom.

Poz. v obr. 2, strane 3	Popis	
1	Hlavný vypínač	Zapne generátor do prevádzkovej pohotovosti alebo vypne jeho funkcie.
2	Prípojná svorka - kladný pól batérie	Pripojenie na kladný pól batérie.
3	Hlavná poistka	Aktivuje sa pri prepätí invertora
4	Poistka nabíjačky batérie	Aktivuje sa pri prepätí nabíjačky

## Ovládacie prvky na diaľkovom ovládaní

Diaľkové ovládanie je umiestnené v interiéri vozidla.

Poz. v obr. 3, strane 4	Popis	
1	Displej	Zobrazuje hlásenia stavu.
2	Spínač zap./vyp. „ $\phi$ “	Zapne a vypne ovládací panel, keď je hlavný vypínač v polohe „I“, príp. „1“. V núdzovom prípade zastaví generátor.
3	Zelené tlačidlo „START/STOP“	Spustí/zastaví generátor, keď je ovládací panel zapnutý a hlavný vypínač je na „I“, príp. „1“.
4	Indikátor stavu paliva	Svieti, keď zostáva už len rezervná zásoba nafty.
5	Indikátor hladiny oleja	Rozsvieti sa, keď je nízka hladina oleja v motore.

## Oznamy na displeji

Pol. na obr. 3, strane 4	Popis	
6	Striedavé napätie	Aktuálne výstupné napätie
7	Trvalý výkon	Aktuálny výkon pripojených spotrebičov
8	Prevádzkové hodiny	Čas, ktorý je generátor v prevádzke
9	Jednosmerné napätie	Napätie batérie
10	Hlásenia	Hlásenie stavu generátora (pozri kap. „Hlásenia na displeji“ na strane 322)

## 8 Ovládanie generátora



### **POZOR!**

Počas prvých 50 prevádzkových hodín (fáza zabehnutia) nezaťažujte generátor na viac ako 70 % jeho maximálneho trvalého výkonu.



### **POZNÁMKA**

Po fáze zábehu zaťažujte generátor maximálne na cca 75 % maximálneho trvalého výkonu. Takto môžete predĺžiť životnosť generátora a maximalizovať jeho výkon.

## 8.1 Základné pokyny na obsluhu



### UPOZORNENIE! Nebezpečenstvo poranenia!

Do vzduchových dýz alebo nasávacej mriežky nestrkajte prsty alebo predmety.

Rešpektujte zásadné upozornenia:

- Keď prevádzkujete generátor pri nízkych teplotách ( $< 0\text{ }^{\circ}\text{C}$ ), musíte použiť zimnú naftu, alebo musíte do nafty pridať benzín v percentuálnom pomere podľa nasledujúcej tabuľky:

Teplota okolia	Letná nafta	Zimná nafta
-10 až $0\text{ }^{\circ}\text{C}$	20 %	–
-15 až $-10\text{ }^{\circ}\text{C}$	30 %	–
-20 až $-15\text{ }^{\circ}\text{C}$	30 %	20 %

- Pred každým použitím skontrolujte hladinu oleja (kap. „Skontrolujte stav oleja“ na strane 324).
- Aj malé preťaženia vedú k tomu, že sa generátor zastaví.
- Po používaní nechajte generátor niekoľko minút bez spotrebiča v prevádzke, kým ho zastavíte.
- Ostré brzdenie, zrýchľovanie a jazda vozidla v zákrutách môže vyvolať problémy čerpaceho systému generátora a viesť k neželanému vypnutiu.
- Keď nepoužívate generátor dlhší čas, naštartujte ho aspoň každých 10 dní a nechajte ho minimálne 15 minút bežať.

## 8.2 Zapnutie generátora do prevádzkovej pohotovosti alebo vypnutie jeho funkcie

Hlavným vypínačom (obr. **2** 1, strane 3) na prípojnom boxe sa generátor zapne do prevádzkovej pohotovosti alebo sa vypne jeho funkcia.



### 8.3 Zapnutie a vypnutie ovládacieho panela

Spínačom zap./vyp. (obr. **3** 2, strane 4) na ovládacom paneli sa zapne a vypne ovládací panel.

- Zapnite ovládací panel spínačom zap./vyp.
- ✓ Displej zobrazuje: *GEN OFF*.  
Displej sa po 5 minútach automaticky vypne, keď sa počas tejto doby neaktivujú štartovacie tlačidlo.  
Stlačením štartovacieho tlačidla môžete displej znova zapnúť.
- ✓ Teraz možno generátor zapnúť.

### 8.4 Spustenie generátora

Generátor možno spustiť vtedy, keď je zapnutý do prevádzkovej pohotovosti a keď je ovládací panel zapnutý.



#### **POZNÁMKA**

Keď je generátor ešte teplý, stlačte na spustenie krátko štartovacie tlačidlo, keď je generátor studený, stlačte ho dlhšie.

- Spustíte generátor zeleným tlačidlom „START/STOP“ (obr. **3** 3, strane 4).

### 8.5 Zastavenie generátora

- Zastavte generátor pomocou vypínača (obr. **3** 2, strane 3).  
Keď sa generátor nezastaví: Vypnite ho hlavným vypínačom (obr. **2** 1, strane 3).

## 8.6 Hlásenia na displeji

Hlásenie na displeji Popis	Správanie generátora	Opatrenia
<b>LOW BATTERY</b> Napätie batérie kleslo pod minimálnu hodnotu potrebnú na uskutočnenie pokusu o štart (9 V).	Generátor nenaskočí.	Nabite batériu.
<b>CHECK OIL LEVEL</b>	Generátor beží ďalej.	Doplňte olej (pozri kap. „Skontrolujte stav oleja“ na strane 324).
<b>OIL CHANGE</b> Počítadlo prevádzkových hodín dosiahlo hodnotu určenú na výmenu oleja.	Generátor beží ďalej.	Vymeňte olej (pozri kap. „Výmena oleja“ na strane 328). Na vynulovanie alarmu naštartujte generátor: Stlačte tlačidlo „START/STOP“ a podržte ho stlačené.
<b>NO FUEL</b> Hladina nafty v nádrži je na rezerve.	Generátor beží ďalej.	Načerpajte benzín.
<b>OIL TEMP PRESS</b> Chýba motorový olej. Teplota motora je príliš vysoká.	Generátor sa zastaví.	Doplňte olej (pozri kap. „Skontrolujte stav oleja“ na strane 324).  Nechajte generátor vychladnúť, počkajte niekoľko minút, potom generátor znova spustite.
<b>GENERATOR ALERT!</b> Všeobecné výstražné hlásenia	Generátor sa zastaví.	Systém skontrolujte pomocou tabuľky Poruchy, príčiny a náprava. Ak problém pretrváva, obráťte sa na pobočku výrobcu vo vašej krajine (adresy na opačnej strane).
<b>OVERLOAD!</b> Spotrebič vytvára na výstupe preťaženie.	Invertor sa vypne, preto sa už neodovzdáva napätie, ale motor beží ďalej, kým nezhasne.	Zmenšite pripojenú záťaž a generátor znova spustite.

Hlásenie na displeji Popis	Správanie generátora	Opatrenia
<b>SHORT CIRCUIT</b> Spotrebič vytvára na výstupe skrat.	Invertor sa vypne, preto sa už neodovzdáva napätie, ale motor beží ďalej, kým nezhasne.	Skontrolujte stav pripojeného spotrebiča, potom generátor znova spustite.
<b>OVER TEMPERATURE</b> Teplota invertora je príliš vysoká.	Invertor sa vypne, preto sa už neodovzdáva napätie, ale motor beží ďalej, aby sa ochladil generátor.	Nechajte generátor vychladnúť, počkajte niekoľko minút, potom generátor znova spustite.
<b>LOW POWER ENGINE</b> Pokles napájacieho napätia invertora.	Generátor sa zastaví.	Zmenšite pripojenú záťaž a generátor znova spustite.
<b>GEN CAL</b> Hlásenie, ktoré sa objaví pri spustení generátora. Označuje fázu kalibrácie, ktorá predchádza každý štart. Generátor ešte nevydáva žiadne napätie.	Generátor sa otáča, ale nevydáva napätie.	Počkajte chvíľu.
<b>GEN WAIT</b> Hlásenie, ktoré sa objaví vo fáze medzi dvomi pokusmi spustenia.	Generátor je vypnutý.	Počkajte, kým hlásenie zmizne, potom sa znovu pokúste o spustenie.
<b>GEN ON</b> Normálna prevádzka generátora.	Normálna prevádzka	–
<b>GEN OFF</b>	Generátor sa nachádza v pohotovostnom režime a môže sa spustiť.	–

## 8.7 Skontrolujte stav oleja



### UPOZORNENIE!

Horúci olej môže spôsobiť popáleniny.  
Skontrolujte hladinu oleja pri vypnutom generátore.



### POZNÁMKA

Generátor musí byť vo vodorovnej polohe.

Pred každým použitím skontrolujte hladinu oleja. Postupujte takto:

- Otvorte klapku generátora.
- Vypnite generátor hlavným vypínačom (obr. 4 1, strane 4).
- Odpojte kladný pól napájacej batérie.
- Vytiahnite odmerku (obr. 4 2, strane 4) z plniaceho hrdla (obr. 4 3, strane 4).
- Vyčistite odmerku (obr. 4 2, strane 4) handrou.
- Vsuňte odmerku (obr. 4 2, strane 4) celkom do plniaceho hrdla (obr. 4 3, strane 4).
- Vytiahnite odmerku (obr. 4 2, strane 4) z plniaceho hrdla.
- Skontrolujte, či je hladina oleja medzi zárezom (maximálna hladina) a hrotom odmerky.  
Ak nie, olej doplňte.
- Vsuňte odmerku (obr. 4 2, strane 4) celkom do plniaceho hrdla (obr. 4 3, strane 4).
- Spojte generátor s kladným pólom napájacej batérie.
- Zapnite generátor hlavným vypínačom (obr. 4 1, strane 4) do stavu prevádzkovej pohotovosti.
- Zatvorte klapku generátora.

## 9 Čistenie generátora



### ***POZOR! Nebezpečenstvo poškodenia!***

- Generátor nečistite vysokotlakovým čističom. Voda, ktorá by vnikla do generátora, ho môže poškodiť.
- Nepoužívajte na čistenie ostré alebo tvrdé predmety alebo čistiace prostriedky, pretože to môže viesť k poškodeniu generátora.
- Na čistenie strešného generátora používajte len vodu so šetrným čistiacim prostriedkom. V žiadnom prípade nepoužívajte benzín, naftu alebo rozpúšťadlá.

- Teleso generátora príležitostne vyčistite vlhkou handričkou.
- Pravidelne odstraňujte nečistoty z vetracích otvorov generátora. Dbajte na to, aby ste pri tejto nečinnosti nepoškodili lamely generátora.

# 10 Údržba generátora

## 10.1 Tabuľka vykonávania údržby



### VÝSTRAHA!

Údržbu smú vykonávať len odborníci, ktorí sú oboznámení s príslušnými predpismi. Neodborne vykonanými údržbovými činnosťami môžu vzniknúť značné nebezpečenstvá.



### POZNÁMKA

Nasledovné činnosti údržby musia byť vykonávané v uvedených intervaloch alebo podľa uvedeného počtu prevádzkových hodín, v závislosti od toho, čo sa splní skôr.

Interval	Kontrola/údržba
V prvom mesiaci alebo po 50 hodinách	<ul style="list-style-type: none"> <li>➤ Dajte vymeniť olej.</li> </ul>
Každých 250 hodín	<ul style="list-style-type: none"> <li>➤ Dajte vymeniť olej.</li> <li>➤ Nechajte vyčistiť chladiaci systém motora.</li> <li>➤ Nechajte skontrolovať vôľu ventilov a skrutky. V prípade potreby nechajte nastaviť vôľu ventilov a dotiahnuť skrutky.</li> <li>➤ Nechajte skontrolovať vzduchový filter (kap. „Údržba vzduchového filtra“ na strane 330).</li> </ul>
Každých 500 hodín	<ul style="list-style-type: none"> <li>➤ Nechajte vymeniť vzduchový filter a palivový filter.</li> </ul>
Raz ročne alebo po 1000 hodinách	<ul style="list-style-type: none"> <li>➤ Nechajte vyčistiť olejový filter.</li> </ul> <p>Nasledujúce úkony musí vykonať predajca autorizovaný spoločnosťou HATZ alebo odborníci, ktorí boli vyškolení spoločnosťou Dometic:</p> <ul style="list-style-type: none"> <li>➤ Nechajte vykonať údržbu vstrekovacieho čerpadla nafty.</li> <li>➤ Dajte vykonať údržbu tlmiča vibrácií.</li> </ul>

## 10.2 Príprava činností údržby



### UPOZORNENIE!

Pri všetkých činnostiach údržby dodržiavajte nasledovné:

- Generátor nesmie byť v prevádzke.
- Jeho časti musia byť vychladnuté.

- Otvorte klapku generátora.
- Vypnite generátor hlavným vypínačom (obr. **2** 1, strane 3).
- Odpojte kladný pól napájacej batérie.

Pre vykonanie údržbárskych prác môžete generátor vytiahnuť:



### VÝSTRAHA!

Podkladová doska s generátorom je veľmi ťažká (> 90 kg) a môže z krytu vypadnúť, keď sa príliš ďaleko vytiahne.

- Vymeňte upevňovaciu skrutku (obr. **5** 1, strane 5).
- Vytiahnite nosnú platňu (obr. **5** 2, strane 5) s generátorom z puzdra.

## 10.3 Ukončenie činností údržby

- Spojte generátor s kladným pólom napájacej batérie.
- Zapnite generátor hlavným vypínačom (obr. **2** 1, strane 3) do stavu prevádzkovej pohotovosti.
- Zatvorte klapku generátora.

## 10.4 Výmena oleja

**UPOZORNENIE!**

Horúci olej môže spôsobiť popáleniny.

**POZOR!**

Použitý olej bezpodmienečne odovzdajte špecializovaným firmám na likvidáciu a dodržiavajte zákony príslušnej krajiny týkajúce sa ochrany životného prostredia.

Môžete používať nasledovné oleje:

- Olej s vlastnosťami:
  - CCMC D4, D5, PD
  - API CD, CE, CF, CG
  - SHPD
- Olej tried SAE:
  - 5W-30
  - 5W-40
  - 100W
  - 100W-30 (odporúčaný)
  - 10W-30
  - 15W-30
  - 30
  - 40
- Olej s jednostupňovou viskozitou:  
Zvoľte vhodnú viskozitu v závislosti od priemernej miestnej teploty.



Olej vymeňte nasledovne (obr. **6**, strane 5):

- Nechajte generátor zahriať behom tri až päť minút, aby bol olej tekutejší a rýchlo celkom vytekol.
- Vytiahnite mierku (1) z plniaceho hrdla (2).
- Umiestnite vhodnú nádobu (4) do blízkosti olejovej hadice (5).
- Uvoľnite objímku (3).
- Odoberte olejovú hadicu (5) a olej nechajte vytekať do nádoby (4).
- Nasadíte olejovú hadicu (5) na pripojovací kus hadice.
- Upevnite olejovú hadicu (5) objímkou (3).
- Naplňte nový olej do plniaceho hrdla (2).  
Maximálne množstvo oleja činí 1,1 l.  
Hladina oleja musí ležať medzi značkami maximálnej a minimálnej hladiny, ktoré sa nachádzajú na mierke (1).
- Zasuňte mierku (1) úplne do plniaceho hrdla (2).

## 10.5 Výmena palivového filtra



### **POZOR!**

Uniknuté palivo zlikvidujte podľa zákonných nariadení dotknutej krajiny týkajúcich sa ochrany životného prostredia.

V generátore sa nachádzajú dva palivové filtre (obr. **7** 2 a 4, strane 6).

- Pod palivový filter postavte vhodnú nádobu (obr. **7** 2 a 4, strane 6).
- Uvoľnite upevňovacie objímky (obr. **7** 1 a 3, strane 6).
- Vyberte palivový filter a vložte nový.
- Upevňovacie objímky opäť dotiahnite.

## 10.6 Údržba vzduchového filtra



### **VÝSTRAHA! Nebezpečenstvo výbuchu!**

Na čistenie vzduchového filtra nepoužívajte naftu alebo rozpúšťadlá s nízkym bodom odparovania. Mohli by sa vznietiť alebo explodovať.



### **UPOZORNENIE!**

Noste ochrannú dýchaciu masku a ochranné okuliare.



### **POZOR!**

Nikdy nenechajte bežať motor bez vzduchového filtra. Ináč sa motor rýchlo opotrebuje.



### **POZNÁMKA**

Ak je vzduchový filter znečistený, zníži sa prívod vzduchu k motoru. Aby motor dobre fungoval, mali by ste pravidelne kontrolovať stav filtra. Skontrolujte ho častejšie, keď sa generátor používa v mimoriadne prašnom prostredí.

Vzduchový filter skontrolujte a vymeňte nasledovne (obr. **8**, strane 6):

- Odstráňte upevňovaciu hlavicu (1) a kryt filtra (2).
- Odstráňte ryhovanú maticu (3).
- Vyberte vzduchový filter (4).
- Dôkladne skontrolujte stav vzduchového filtra (4):  
Zasviette lampou do vzduchového filtra a skontrolujte, či nie je poškodená papierová membrána.  
Vzduchový filter vymeňte:
  - keď je poškodený
  - keď je znečistený vlhkými alebo olejovými nečistotami
- Nepoškodený vzduchový filter vyčistíte od suchých nečistôt.  
Vzduchový filter vyčistíte suchým stlačeným vzduchom (nepoužívajte žiadne tlakovzdušné dýzy s tlakom vyšším ako 2 až 2,5 bar): Stlačený vzduch smerujte zvnútra von, pokiaľ nebude prach úplne odstránený.
- Vyčistíte kryt filtra (2).
- Nasadíte vzduchový filter (4).

- Upevnite ryhovanú maticu (3).
- Opäť nasadte kryt filtra (2).
- Upevnite kryt filtra (2) pomocou upevňovacej hlavice (1).

## 11 Odstránenie porúch

Porucha	Príčina	Odstránenie
Pri stlačení spínača zap./vyp. sa ovládací panel nezapne.	Štartovacia batéria je prázdna.	➤ Nabite štartovaciu batériu.
	Elektrický kábel je prerušený alebo zástrčka je vytiahnutá.	➤ Obráťte sa na autorizovaný servis.
	Poistka (ak je k dispozícii) je aktivovaná.	
Po stlačení štartovacieho tlačidla sa štartér nespustí.	Štartovacia batéria je prázdna.	➤ Nabite štartovaciu batériu.
	Hlavný vypínač je na „0“.	➤ Nastavte hlavný vypínač do polohy „I“, príp. „1“.
	Základná doska poškodená.	➤ Obráťte sa na autorizovaný servis.
	Štartér nemá prívod prúdu.	
Štartér sa otáča, ale generátor nenaskočí.	Vstrekovacie ventily sú znečistené.	➤ Obráťte sa na autorizovaný servis.
	Motor je poškodený.	
Generátor má tendenciu zhasnúť.	Príliš veľa oleja v motore.	➤ Vypustite olej (pozri kap. „Výmena oleja“ na strane 328).
	Príliš veľké zaťaženie.	➤ Vypnite spotrebiče.
	Nasávanie vzduchu upchaté.	➤ Nechajte skontrolovať vzduchový filter (pozri kap. „Údržba vzduchového filtra“ na strane 330).
	Invertor je poškodený.	➤ Obráťte sa na autorizovaný servis.
	Chyba v napájaní vstrekovacieho čerpadla.	
	Vstrekovacie ventily sú znečistené.	
Generátor naskočí, ale nevyrába napätie.	Invertor je poškodený.	➤ Obráťte sa na autorizovaný servis.
	Elektrické pripojenia nie sú správne pripojené.	➤ Skontrolujte elektrické spojenia.

Porucha	Príčina	Odstránenie
Vyrobené napätie je nestále.	Príliš veľké zaťaženie.	➤ Vypnite spotrebiče.
	Nasávanie vzduchu upchaté.	➤ Nechajte skontrolovať vzduchový filter (pozri kap. „Údržba vzduchového filtra“ na strane 330).
	Invertor je poškodený.	➤ Obráťte sa na autorizovaný servis.
	Chyba v napájaní vstrekovacieho čerpadla.	
	Vstrekovacie ventily sú znečistené.	
Nabíjačka batérie nedodáva žiadne napätie.	Poistka nabíjačky batérie je poškodená.	➤ Vymeňte poistku.

## 12 Záruka

Platí zákonom stanovená záručná lehota. Ak by bol výrobok chybný, obráťte sa na servisného partnera vo vašej krajine (adresy pozri na zadnej strane návodu).

Naši špecialisti vám radi pomôžu a dohodnú s vami ďalší priebeh záruky.

## 13 Likvidácia

- Obalový materiál podľa možnosti odovzdajte do príslušného odpadu na recykláciu.





Keď výrobok definitívne vyradíte z prevádzky, informujte sa v najbližšom recyklačnom stredisku alebo u vášho špecializovaného predajcu o príslušných predpisoch týkajúcich sa likvidácie.



### Chránite životné prostredie!

Akumulátory a batérie nepatria do domového odpadu. Poškodené akumulátory alebo spotrebované batérie odovzdajte priamo u predajcu alebo v zbernom mieste.

## 14 Technické údaje

	<b>Dometic TEC40D</b>
Tov. č.:	9102900201
Výstupné menovité napätie:	230 V~ / 50 Hz
Max. trvalý výkon (pri 25 °C na úrovni mora):	3500 W
Výstupné napätie nabíjačky batérie:	12 V===
Max. výstupný prúd nabíjačky batérie:	60 A
Rozsah prevádzkovej teploty:	-15 °C až +50 °C
Palivo:	Motorová nafta podľa EN 590
Motor:	Hatz (1 B 30V)
Spotreba:	max. 1,4 l/h
Výkon motora:	4,7 kW (6,4 KS)
Max. otáčky:	3300 min <sup>-1</sup>
Motorový olej:	1,1 l
Hladina zvuku:	89 dB(A)
Hladina zvuku vo vzdialenosti 7 m:	64 dB(A)
Rozmery:	pozri obr. <b>9</b> , strane 7
Hmotnosť:	96,5 kg
Skúška/certifikát:	 

**A készülék használata előtt gondosan olvassa el és őrizze meg ezt a használati útmutatót. Ha a készüléket továbbadja, mellékelje hozzá a használati útmutatót is.**

## Tartalomjegyzék

1	A szimbólumok magyarázata . . . . .	335
2	Biztonsági tudnivalók . . . . .	336
3	Az útmutató célcsoportja . . . . .	338
4	Szállítási terjedelem . . . . .	338
5	Tartozékok . . . . .	338
6	Rendeltetésszerű használat . . . . .	339
7	Műszaki leírás . . . . .	339
8	A generátor kezelése . . . . .	341
9	A generátor tisztítása . . . . .	347
10	A generátor karbantartása . . . . .	348
11	Üzemzavarok elhárítása . . . . .	353
12	Szavatosság . . . . .	354
13	Ártalmatlanítás . . . . .	354
14	Műszaki adatok . . . . .	355

# 1 A szimbólumok magyarázata

**FIGYELMEZTETÉS!**

**Biztonsági tudnivaló:** Az utasítás figyelmen kívül hagyása halált vagy súlyos sérülést okozhat.

**VIGYÁZAT!**

**Biztonsági tudnivaló:** Az utasítás figyelmen kívül hagyása sérüléseket okozhat.

**FIGYELEM!**

Ha nem veszi figyelembe az információt, az anyagkárosodást eredményezhet, és káros kihatással lehet a termék működésére.

**MEGJEGYZÉS**

Kiegészítő információk a termék kezelésével kapcsolatosan.

- ▶ **Tevékenység:** Ez a szimbólum jelzi, hogy tennie kell valamit. A szükséges tevékenységek lépésről-lépésre követhetők.
- ✓ Ez a szimbólum egy tevékenység eredményét jelzi.

**1 ábra 5, 3. oldal:** Ez az információ egy ábra egyik elemére utal, jelen példában az „5. tételre az 1. ábrán, a 3. oldalon”.

## 2 Biztonsági tudnivalók

A gyártó a bekövetkező károkért a következő esetekben nem vállal felelősséget:

- a termék mechanikai behatások és túlfeszültségek miatti sérülése
- a termék kifejezett gyártói engedély nélküli módosítása
- az útmutatóban leírt céloktól eltérő felhasználás

A gyártó különösen nem felel következményes károkért, valamint a generátor üzemkimaradása esetén bekövetkező következményes károkért sem.

Elektromos készülékek használata előtt vegye figyelembe az alábbi alapvető biztonsági intézkedéseket az alábbi veszélyek elleni védelem érdekében:

- áramütés
- tűzveszély
- sérülések

### 2.1 Alapvető biztonság



#### **VESZÉLY!**

- **Ne** üzemeltesse eszközét robbanásveszélyes helyiségekben.



#### **FIGYELMEZTETÉS!**

- **Az elektromos készülékek nem játékszerek!**

A gyermekek az elektromos készülékekből eredő veszélyeket nem tudják ténylegesen felmérni. Soha ne hagyja, hogy gyermekek felügyelet nélkül elektromos készülékeket használjanak.

- Jelen készüléket 8 év feletti gyermekek, valamint korlátozott fizikai, érzékszervi és szellemi képességű, illetve megfelelő tapasztalattal és/vagy tudással nem rendelkező személyek csak felügyelet mellett, illetve a készülék biztonságos használatát és az abból eredő veszélyeket megértve használhatják.
- A készüléket csak rendeltetésszerűen használja.
- Ne végezzen módosításokat vagy átépítéseket a készüléken!



- A generátor szerelését, karbantartását és javításait csak a hűtőközegek és klímaberendezések kezelését és a vonatkozó előírásokat ismerő szakemberek végezhetik. A szakszerűtlen javítások jelentős veszélyeket okozhatnak. Javítás esetén forduljon a gyártó illetékes képviselőjéhez (a címek a hátoldalon találhatóak).
- A karbantartás során jelölje meg a készülék körüli területet és zárja le a hozzáférést azon területekhez, amelyek aktiválása veszélyeket okoz.
- A kipufogógázok szénmonoxidot (különösen mérgező, szag- és színmentes) gázt tartalmaznak. Ne lélegezze be a kipufogógázokat. Ne járassa a generátor motorját zárt garázsban vagy ablak nélküli helyiségben.



### VIGYÁZAT!

- A generátor kizárólag zárt ellenőrző ajtó mellett használható.
- Távolítsa el minden könnyen éghető anyagot (például benzint, lakkokat, oldószereket stb.) a generátor közeléből.
- Győződjön meg arról, hogy a generátor forróvá váló részei nem érintkeznek könnyen éghető anyagokkal.
- A generátor tartályát csak a generátor kikapcsolt állapotában és jól szellőző területen töltsen fel. A gázolaj nagyon gyúlékony és robbanásveszélyes.
- Ne töltsen fel a generátor tartályát beindított járműmotor esetén, ha a tartály a járműmotor közelében van.
- Gondosan törölje le a kifolyt gázolajat és a motor bekapcsolásával várjon addig, hogy az üzemanyag gőzei eltávozzanak.
- Ne érintse meg a generátort és a vezetékeket nedves kézzel.
- A biztosítékokat csak azonos műszaki adatokkal rendelkező biztosítékokra cserélje.



### FIGYELEM!

- Ne töltsen tele a tartályt túlságosan. A tartály nyakánál nem szabad üzemanyagnak lennie. Ellenőrizze, hogy a fedél megfelelően zárva van-e.

## 2.2 Biztonság a készülék üzemeltetése során



### FIGYELMEZTETÉS!

- A készüléken végzendő munkák előtt mindig szakítsa meg az áramellátást.



### FIGYELEM!

- A készüléket csak akkor üzemeltesse, ha a ház és a vezetékek sérülésmentesek.

## 3 Az útmutató célcsoportja

Jelen kezelési útmutató a generátor felhasználójának szól.

## 4 Szállítási terjedelem

Megnevezés	Cikkszám
TEC40D generátor	9102900201
Távírányító	
Kipufogóvezeték, 2 m	
Rögzítőanyag a hangtompítóhoz	
Csatlakozókábel	
AG 102, átkapcsolórelé elsőbbségi kapcsolat megvalósításához	
Rögzítőanyag	
Beszereleési útmutató	
Kezelési útmutató	

## 5 Tartozékok

Tartozékként kapható (nincs mellékelve):

Alkatrész-megnevezés	Cikkszám
PR 25044, külső tömítőkészlet	9102900174

## 6 Rendeltetésszerű használat

A TEC40D (cikkszám: 9102900201) generátor lakóautókban, lakókocsikban és kereskedelmi használatú járművekben használható.

A generátor **nem** alkalmas vízi járművekbe való beszerelésre.

A generátor 230 V / 50 Hz tiszta szinuszos váltakozó feszültséget generál, amelyre 3500 W tartós összterhelésű fogyasztók csatlakoztathatók. Az áramminőség érzékeny fogyasztók (például számítógépek) ellátására is alkalmas.

A generátor 12 V-os akkumulátort is tölthet.

## 7 Műszaki leírás

A generátor a következő fő elemekből áll (**1**. ábra, 3. oldal):

- Váltóáramú generátor (1)
- Endoterm motor (2)
- Csatlakozópanel (3)
- Inverter (4)
- Távirányító (5)

Az endoterm motor (2) forgásba hozza a vele összekapcsolt váltóáramú generátort (1) és ez váltakozó feszültséget generál.

Az integrált inverter (4) ezt a váltakozó feszültséget átalakítja 230 V-os és 50 Hz-es stabil feszültséggé, amely az inverter kapcsain áll rendelkezésre. Az inverteren található a távirányító(5) csatlakozókábelének aljzata.

A csatlakozókapcsok és a főkapcsoló az ajtó mögött, a csatlakozópanelen (3) vannak elhelyezve.

A generátor egy, a csatlakoztatott akkumulátor feltöltésére szolgáló, integrált akkumulátortöltővel rendelkezik.

## A csatlakozódobozon elhelyezett kezelőelemek

A csatlakozódoboz a generátoron, a burkolat mögött található.

Tétel / 2. ábra, Leírás 3. oldal		
1	Főkapcsoló	A generátort üzemképes vagy funkciómentes állapotba kapcsolja.
2	Akkumulátor plusz pólusának csatlakozókapcsa	Csatlakozás az akkumulátor pluszkapcsára.
3	Főbiztosíték	Az inverter túlfeszültsége esetén kiold
4	Akkumulátortöltő biztosítéka	Az akkumulátortöltő túlfeszültsége esetén kiold

## A távirányítón lévő kezelőelemek

A távirányító a jármű belsejében van elhelyezve.

Tétel / 3. ábra, Leírás 4. oldal		
1	Kijelző	Az állapotüzeneteket jeleníti meg.
2	„Ü” be-/kikapcsoló	Be- és kikapcsolja a kezelőpanelt, ha a főkapcsoló „I”, illetve „1” állásban van. Vészhelyzet esetén leállítja a generátort.
3	Zöld „START/STOP” gomb	Elindítja/leállítja a generátort, ha a kezelőpanel be van kapcsolva és a főkapcsoló „I”, illetve „1” állásban van.
4	Üzemanyagjelző	Világít, ha a gázolaj tartalékban van.
5	Olajkijelző	Világít, ha a motorban lévő olajsint túl alacsony.

## Kijelzőmegjelenítések

Tétel (3. ábra, 4. oldal)	Leírás	
6	Váltakozó feszültség	Aktuális kimeneti feszültség
7	Tartós teljesítmény	A csatlakoztatott fogyasztók aktuális teljesítménye
8	Üzemórák	A generátor üzemelésének időtartama
9	Egyenfeszültség	Akkumulátorfeszültség
10	Üzenetek	A generátor állapotüzenete (lásd: „Kijelzőüzenetek” fejj., 344. oldal)

## 8 A generátor kezelése



### **FIGYELEM!**

Az első 50 üzemórában (bejáratási időszak) még ne terhelje a generátort a maximális tartós teljesítmény 70 %-ánál nagyobb mértékben.



### **MEGJEGYZÉS**

A generátort a bejáratási időszak után legfeljebb a maximális tartós teljesítmény 75 %-ával terhelje. Ezzel meghosszabbítja a generátor élettartamát és maximalizálja a teljesítményét.

## 8.1 A kezelésre vonatkozó alapvető megjegyzések



### VIGYÁZAT! Sérülésveszély!

Ne dugja ujját és ne dugjon be tárgyakat a légbefúvókba vagy a szívórácsba.

Vegye figyelembe a következő alapvető megjegyzéseket:

- Ha a generátort alacsony hőmérsékletnél ( $< 0\text{ °C}$ ) üzemelteti, akkor téli gázolajat kell használnia vagy ahhoz adott százaléknyi benzint kell a következő táblázatnak megfelelően hozzáadnia:

Környezeti hőmérséklet	Nyári gázolaj	Téli gázolaj
-10 ... 0 °C	20 %	–
-15 ... -10 °C	30 %	–
-20 ... -15 °C	30 %	20 %

- Minden felhasználás előtt ellenőrizze az olajsintet („Az olajsint ellenőrzése” fej., 346. oldal).
- Hosszú távon már a kis túlterhelések is a generátor leállítását okozhatják.
- Használat után, megállítás előtt járassa még a generátort néhány percig terhelés nélküli üzemben.
- A jármű hirtelen lefékezése, gyorsítása és kanyarban való haladása problémát okozhat a generátor szivattyúrendszerében és annak akaratlan kikapcsolódását okozhatja.
- Ha a generátort hosszabb ideig nem használja, akkor legalább 10 naponként indítsa el és járassa legalább 15 percig.

## 8.2 A generátor üzemkész vagy funkciómentes állapotba kapcsolása

A generátor a csatlakozódobozon lévő főkapcsolóval (2. ábra 1, 3. oldal) kapcsolható üzemkész vagy funkciómentes állapotba.

### 8.3 A kezelőpanel be- és kikapcsolása

A kezelőpanel a kezelőpanelen lévő be-/kikapcsolóval (3. ábra 2, 4. oldal) kapcsolható be vagy ki.

- ▶ Kapcsolja be a be-/kikapcsolóval a kezelőpanelt.
- ✓ A kijelzőn az alábbi jelenik meg: *GEN OFF*.  
A kijelző 5 perc után automatikusan kikapcsol, ha ezen idő alatt az indítógomb nem lett működtetve.  
Az indítógomb megnyomásával a kijelző újból bekapcsolható.
- ✓ A generátor most már indítható.

### 8.4 A generátor indítása

A generátor csak akkor indítható, ha üzemkész állapotba van kapcsolva és ha a kezelőpanel be van kapcsolva.



#### MEGJEGYZÉS

Még meleg generátor esetén az indításhoz csak rövid ideig nyomja meg az indítógombot; hideg generátor esetén hosszabban.

- ▶ Indítsa el a generátort a zöld „START/STOP” gombbal (3. ábra 3, 4. oldal).

### 8.5 A generátor leállítása

- ▶ Állítsa le a generátort a be-/kikapcsolóval (3. ábra 2, 3. oldal).  
Ha a generátor nem áll le: Kapcsolja ki a főkapcsolóval (2. ábra 1, 3. oldal).

## 8.6 Kijelzőüzenetek

Kijelzőüzenet Leírás	A generátor viselkedése	Intézkedések
<b>LOW BATTERY</b> Az akkumulátorfeszültség az indítási kísérletek végrehajtásához szükséges minimális érték (9 V) alá csökkent.	A generátor nem indul el.	Töltse fel az akkumulátort.
<b>CHECK OIL LEVEL</b>	A generátor tovább jár.	Töltsön utána olajat (lásd: „Az olajsint ellenőrzése” fejj., 346. oldal).
<b>OIL CHANGE</b> Az üzemórák száma elérte a motorolajcserére előzetesen megadott értéket.	A generátor tovább jár.	Hajtsa végre az olajcserét (lásd: „Olajcsere” fejj., 350. oldal). A riasztás visszaállításához indítsa el a generátort: nyomja meg és tartsa lenyomva a „START/STOP” gombot.
<b>NO FUEL</b> A tartályban lévő gázolaj tartalékon áll.	A generátor tovább jár.	Töltsön be üzemanyagot.
<b>OIL TEMP PRESS</b> Motorolaj hiányzik. A motorhőmérséklet túl magas	A generátor leáll.	Töltsön utána olajat (lásd: „Az olajsint ellenőrzése” fejj., 346. oldal). Hagyja kihűlni a generátort, várjon néhány percet, majd indítsa újra a generátort.
<b>GENERATOR ALERT!</b> Általános riasztás	A generátor leáll.	Ellenőrizze a rendszert az „Üzemzavarok, okok és megoldások” táblázat ( ) segítségével. Ha a probléma továbbra is fennáll, akkor forduljon a gyártó képviselőjéhez (a címek a hátoldalon található).
<b>OVERLOAD!</b> A fogyasztók a kimeneten túlterhelést okoznak.	Az inverter kikapcsol; emiatt többé nem jelenik meg feszültség a kimeneten, de a motor a leállásig még jár.	Csökkentse a csatlakoztatott terhelést és indítsa el újból a generátort.



<b>Kijelzőüzenet Leírás</b>	<b>A generátor viselkedése</b>	<b>Intézkedések</b>
<b>SHORT CIRCUIT</b> A fogyasztók a kimeneten rövidzárlatot okoznak.	Az inverter kikapcsol; emiatt többé nem jelenik meg feszültség a kimeneten, de a motor a leállásig még jár.	Ellenőrizze a csatlakoztatott fogyasztók állapotát, majd indítsa újra a generátort.
<b>OVER TEMPERATURE</b> Az inverter hőmérséklete túl magas.	Az inverter kikapcsol; emiatt többé nem jelenik meg feszültség a kimeneten, de a motor a generátor hűtése érdekében még jár.	Hagyja kihűlni a generátort, várjon néhány percet, majd indítsa újra a generátort.
<b>LOW POWER ENGINE</b> Az inverter tápfeszültségének leesése.	A generátor leáll.	Csökkentse a csatlakoztatott terhelést és indítsa el újból a generátort.
<b>GEN CAL</b> A generátor indításánál megjelenő üzenet; a valamennyi indítást megelőző kalibrálási időszakot jelzi. A generátor még nem ad le feszültséget.	A generátor forog, de nem generál feszültséget.	Várjon néhány másodpercig.
<b>GEN WAIT</b> Két indítási kísérlet közötti szünetben megjelenő üzenet.	A generátor ki van kapcsolva.	Várjon az üzenet eltűnéséig; ezt követően tegyen újabb indítási kísérletet.
<b>GEN ON</b> A generátor normál üzeme.	Normál üzem	–
<b>GEN OFF</b>	A generátor Standby módban van és elindítható.	–

## 8.7 Az olajsint ellenőrzése



### VIGYÁZAT!

A forró olaj égéseket okozhat.  
Az olajsintet csak kikapcsolt generátornál ellenőrizze.



### MEGJEGYZÉS

A generátornak vízszintesen kell lennie.

Minden felhasználás előtt ellenőrizze az olajsintet. Ehhez a következő módon járjon el:

- ▶ Nyissa ki a generátor ajtaját.
- ▶ Kapcsolja a generátort a főkapcsolóval (4. ábra 1, 4. oldal) funkciómentes állapotba.
- ▶ Válassza le az ellátó akkumulátor plusz pólusához csatlakozó vezetékét.
- ▶ Húzza ki a nívópalcát (4. ábra 2, 4. oldal) a betöltőcsonkból (4. ábra 3, 4. oldal).
- ▶ Tisztítsa meg a nívópalcát (4. ábra 2, 4. oldal) egy ronggyal.
- ▶ Dugja be teljesen a nívópalcát (4. ábra 2, 4. oldal) a betöltőcsonkba (4. ábra 3, 4. oldal).
- ▶ Húzza ki a nívópalcát (4. ábra 2, 4. oldal) a betöltőcsonkból.
- ▶ Ellenőrizze, hogy az olajsint a nívópálca rovátkája (maximum töltési szint) és csúcsa között van-e.  
Ha nem, akkor töltsön utána olajat.
- ▶ Dugja be teljesen a nívópalcát (4. ábra 2, 4. oldal) a betöltőcsonkba (4. ábra 3, 4. oldal).
- ▶ Csatlakoztassa a generátort az ellátó akkumulátor plusz pólusához.
- ▶ Kapcsolja a generátort a főkapcsolóval (4. ábra 1, 4. oldal) üzembesz állapotba.
- ▶ Zárja be a generátor ajtaját.

## 9 A generátor tisztítása



### **FIGYELEM! Sérülésveszély!**

- Ne tisztítsa a generátort nagynyomású tisztítóval. A behatoló víz a generátor meghibásodását okozhatja.
- Ne használjon éles vagy kemény eszközöket vagy tisztítószerket a tisztításhoz, mivel azok a generátor károsodását okozhatják.
- A generátor tisztításához csak kíméletes tisztítószer tartalmazó vizet használjon. Semmilyen esetben ne használjon benzint, gázolajat vagy oldószert.

- Alkalmanként tisztítsa meg a generátor burkolatát nedves ruhával.
- Rendszeresen ellenőrizze és távolítsa el a szennyeződések a generátor szellőzőnyílásaitól. Ügyeljen arra, hogy ennek során ne sérüljenek meg a generátor lamellái.

# 10 A generátor karbantartása

## 10.1 Karbantartási táblázat



### FIGYELMEZTETÉS!

Minden karbantartási munkát olyan szakemberekkel végeztessen el, akik ismerik a vonatkozó előírásokat. A szakszerűtlen karbantartási munkák jelentős veszélyeket okozhatnak.



### MEGJEGYZÉS

A következő karbantartási munkákat a megadott időszakoként vagy a megadott üzemórák letelte után végezze el attól függően, hogy melyik eset fordul elő korábban.

Időszak	Ellenőrzés / karbantartás
Az első hónapban vagy 50 üzemóra után	<ul style="list-style-type: none"> <li>➤ Végeztesse el az olaj cseréjét.</li> </ul>
250 üzemóránként	<ul style="list-style-type: none"> <li>➤ Végeztesse el az olaj cseréjét.</li> <li>➤ Tisztítsa meg a motor hűtőrendszerét.</li> <li>➤ Ellenőriztesse a szelephézagot és a csavarokat. Szükség esetén be kell állítani a szelephézagot és meg kell húzni a csavarokat.</li> <li>➤ Végeztesse el a légszűrő ellenőrzését („A légszűrő karbantartása” fej., 351. oldal).</li> </ul>
500 üzemóránként	<ul style="list-style-type: none"> <li>➤ Végeztesse el a légszűrő és az üzemanyagszűrő cseréjét.</li> </ul>
Évente vagy 1000 üzemóránként	<ul style="list-style-type: none"> <li>➤ Végeztesse el az olajszűrő tisztítását.</li> </ul> <p>A HATZ által felhatalmazott kereskedőnek, vagy a Dometic által kiképzett szakembernek a következőket kell elvégeznie:</p> <ul style="list-style-type: none"> <li>➤ Végeztesse el a dízelbefecskendező szivattyú karbantartását.</li> <li>➤ Végeztesse el a rezgőpárolgató karbantartását.</li> </ul>

## 10.2 A karbantartási munkák előkészítése



### VIGYÁZAT!

Valamennyi karbantartási munkánál vegye figyelembe a következőket:

- A generátornak nem szabad üzemben lennie.
- Valamennyi alkatrésznek legyen lehűlve.

- Nyissa ki a generátor ajtaját.
- Kapcsolja a generátort a főkapcsolóval (**2.** ábra 1, 3. oldal) funkciómentes állapotba.
- Válassza le az ellátó akkumulátor plusz pólusához csatlakozó vezetékét.

Karbantartási munkálatokhoz kihúzhatja a generátort:



### FIGYELMEZTETÉS!

A tartólemez a generátorral együtt nagyon nehéz (> 90 kg), és kieshet a házból, ha túlságosan kihúzza.

- Lazítsa meg a rögzítő csavart (**5.** ábra 1, 5. oldal).
- Húzza ki a tartólemezt (**5.** ábra 2, 5. oldal) a generátorral a házból.

## 10.3 A karbantartási munkák lezárása

- Csatlakoztassa a generátort az ellátó akkumulátor plusz pólusához.
- Kapcsolja a generátort a főkapcsolóval (**2.** ábra 1, 3. oldal) üzemkész állapotba.
- Zárja be a generátor ajtaját.

## 10.4 Olajcsere

**VIGYÁZAT!**

A forró olaj égéseket okozhat.

**FIGYELEM!**

A fáradtolajat feltétlenül ártalmatlanítással vagy visszanyeréssel foglalkozó cégeknek adja át, és vegye figyelembe a vonatkozó környezetvédelmi törvényeket.

A következő olajok használhatók:

- Olaj a következő tulajdonságokkal:
  - CCMC D4, D5, PD
  - API CD, CE, CF, CG
  - SHPD
- SAE osztályú olajok:
  - 5W-30
  - 5W-40
  - 100W
  - 100W-30 (ajánlott)
  - 10W-30
  - 15W-30
  - 30
  - 40
- Egytartományú viszkozitással rendelkező olaj:  
A megfelelő viszkozitást az átlagos helyi hőmérséklet függvényében válassza meg.

Így cserélje le az olajat (**6**. ábra, 5. oldal):

- ▶ Járassa melegre a generátort három-öt percre, hogy az olaj folyékonyabbá váljon és gyorsan és teljesen lefolyhasson.
- ▶ Húzza ki a nívópálcát (**1**) a betöltőcsontból (**2**).
- ▶ Helyezzen megfelelő tartályt (**4**) az olajtömlőhöz (**5**) közel.
- ▶ Oldja meg a bilincset (**3**).
- ▶ Vegye le az olajtömlőt (**5**) és hagyja az olajat a tartályba (**4**) folyni.
- ▶ Helyezze fel az olajtömlőt (**5**) a tömlőcsatlakozóra.
- ▶ Rögzítse az olajtömlőt (**5**) a bilincsel (**3**).

- ▶ Töltse be a friss olajat a betöltőcsonkba (2).  
A maximális olajmennyiség 1,1 l.  
Az olajsintnek a nívópálca maximum- és minimumjelző rovátkái (1) között kell lennie.
- ▶ Dugja be teljesen a nívópalcát (1) a betöltőcsonkba (2).

## 10.5 Az üzemanyagszűrő cseréje



### **FIGYELEM!**

Ártalmatlanítsa a kifolyt üzemanyagot az adott ország törvényi előírásai szerint a környezet védelme érdekében.

A generátorban két üzemanyagszűrő (7. ábra 2 és 4, 6. oldal) található.

- ▶ Állítson egy megfelelő tartályt az üzemanyagszűrő alá (7. ábra 2 és 4, 6. oldal).
- ▶ Lazítsa meg a rögzítőbilincseket (7. ábra 1 és 3, 6. oldal).
- ▶ Vegye ki az üzemanyagszűrőt és helyezzen be egy újat.
- ▶ Húzza meg újra a rögzítőbilincseket.

## 10.6 A légszűrő karbantartása



### **FIGYELMEZTETÉS! Robbanásveszély!**

A légszűrő tisztításához ne használjon dízelolajat vagy alacsony párolgáspontú oldószert. Ezek meggyulladhatnak és felrobbanhatnak.



### **VIGYÁZAT!**

Viseljen légzésvédő maszkot és védőszemüveget.



### **FIGYELEM!**

Soha ne járassa a motort légszűrő nélkül. Ellenkező esetben a motor gyorsan elkopik.

**MEGJEGYZÉS**

A légszűrő elszennyeződése esetén a motor felé áramló levegő mennyisége lecsökken. A motor megfelelő működése érdekében rendszeresen ellenőrizze a szűrő állapotát. Az ellenőrzést gyakrabban végezze, ha a generátor különösen poros környezetben üzemel.

Ellenőrizze és cserélje a légszűrőt a következő módon (**8**. ábra, 6. oldal):

- ▶ Távolítsa el a rögzítősapkát **(1)** és a szűrőfedelelet **(2)**.
- ▶ Távolítsa el a peremes anyát **(3)**.
- ▶ Távolítsa el a légszűrőt **(4)**.
- ▶ Gondosan ellenőrizze a légszűrő állapotát **(4)**:  
Világítson be lámpával a légszűrőbe, és ellenőrizze, hogy a papírmembrán sérülésmentes-e.  
Cserélje ki a légszűrőt:
  - ha az sérült
  - ha nedves vagy olajos szennyeződések miatt elkoszolódott
- ▶ Tisztítsa meg a sérülésmentes légszűrőt a száraz szennyeződésektől.  
Tisztítsa meg a légszűrőt száraz sűrített levegővel (ne használjon olyan sűrített levegős fúvókákat, melyek nyomása nagyobb, mint 2 – 2,5 bar):  
Fújja a sűrített levegőt belülről kifelé a porszennyeződés teljes eltávolításáig.
- ▶ Tisztítsa meg a szűrőfedelelet **(2)**.
- ▶ Helyezze be a légszűrőt **(4)**.
- ▶ Szorítsa meg a peremes anyát **(3)**.
- ▶ Helyezze újból vissza a szűrőfedelelet **(2)**.
- ▶ Rögzítse a szűrőfedelelet **(2)** a rögzítősapkával **(1)**.



# 11 Üzemzavarok elhárítása

Hiba	Ok	Elhárítás
A be-/kikapcsoló megnyomásánál a kezelőpanel nem kapcsol be.	Az indítóakkumulátor lemerült.	➤ Töltse fel az indítóakkumulátort.
	Az áramkábel megszakadt vagy a dugó ki van húzva. A biztosíték (ha van) kioldott.	➤ Forduljon jogosult szakszervizhez.
Az indítógomb megnyomásakor az indítómotor nem forog.	Az indítóakkumulátor lemerült.	➤ Töltse fel az indítóakkumulátort.
	A főkapcsoló „0” állásban van.	➤ Állítsa a főkapcsolót „1”, illetve „1” állásba.
	Sérült az aljzat. Az indítómotor nem kap áramot.	➤ Forduljon jogosult szakszervizhez.
Az indítómotor forog, de a generátor nem indul el.	Elszennyeződtek a befecskendező szelepek. A motor meghibásodott.	➤ Forduljon jogosult szakszervizhez.
A generátor lefuladásra hajlamos.	Túl sok az olaj a motorban.	➤ Engedjen le olajat (lásd „Olajcsere” fejj., 350. oldal).
	Túl magas terhelés.	➤ Kapcsoljon ki fogyasztókat.
	A légbeszívás eltömődött.	➤ Végeztesse el a légszűrő ellenőrzését (lásd „A légszűrő karbantartása” fejj., 351. oldal).
	Az inverter megsérült.	➤ Forduljon jogosult szakszervizhez.
	Hiba a befecskendező szivattyú áramellátásában. Elszennyeződtek a befecskendező szelepek.	
A generátor elindult, de nem generál feszültséget.	Az inverter megsérült.	➤ Forduljon jogosult szakszervizhez.
	Az elektromos csatlakozások nem megfelelőek.	➤ Ellenőrizze az elektromos csatlakozásokat.

Hiba	Ok	Elhárítás
A generált feszültség nem stabil.	Túl magas terhelés.	➤ Kapcsoljon ki fogyasztókat.
	A légbeszívás eltömődött.	➤ Végeztesse el a légszűrő ellenőrzését (lásd „A légszűrő karbantartása” fejj., 351. oldal).
	Az inverter megsérült.	➤ Forduljon jogosult szakszer- vizhez.
	Hiba a befecskendező szivattyú áramellátásában.	
	Elszennyeződtek a befecskendező szelepek.	
Az akkumulátor-töltő nem ad feszültséget.	Sérült az akkumulátortöltő biztosító téka.	➤ Cserélje ki a biztosítékot.

## 12 Szavatosság

A termékre a törvény szerinti szavatossági időszak érvényes. A termék meghibásodása esetén forduljon az illetékes szervizpartnerhez (a címetek lásd jelen útmutató hátoldalán).

Szakembereink szívesen nyújtanak segítséget és felvilágosítást adnak a szavatosságra vonatkozó további tudnivalókról.

## 13 Ártalmatlanítás

- A csomagolóanyagot lehetőleg a megfelelő újrahasznosítható hulladék közé tegye.





Ha a terméket véglegesen kivonja a forgalomból, kérjük, tájékozódjon a legközelebbi hulladékártalmatlanító központnál vagy a szakkereskedőjénél az idevonatkozó ártalmatlanítási előírásokkal kapcsolatosan.



### Védje környezetét!

Az akkumulátorok és elemek nem a háztartási hulladékba valók. Adja le a meghibásodott akkumulátorokat vagy elhasznált elemeket a kereskedőnél vagy egy gyűjtőhelyen.

## 14 Műszaki adatok

	Dometic TEC40D
Cikkszám:	9102900201
Névleges kimeneti feszültség:	230 V~ / 50 Hz
Legnagyobb tartós teljesítmény (25 °C-on, tengerszinten):	3500 W
Akkumulátortöltő kimeneti feszültsége:	12 V===
Akkumulátortöltő legnagyobb kimeneti árama:	60 A
Üzemelési hőmérséklet-tartomány:	-15 °C ... +50 °C
Üzemanyag:	gázolaj az EN 590 szerint
Motor:	Hatz (1 B 30V)
Fogyasztás:	max. 1,4 l/h
Motorteljesítmény:	4,7 kW (6,4 LE)
Max. fordulatszám:	3300 min <sup>-1</sup>
Motorolaj:	1,1 l
Zajszint:	89 dB (A)
Zajszint 7 m-es távolságban:	64 dB (A)
Méreték:	lásd: <b>9</b> . ábra, 7. oldal
Súly:	96,5 kg
Vizsgálat / tanúsítvány:	 

**GERMANY****Dometic WAECO International GmbH**

Hollefeldstraße 63 · D-48282 Emsdetten

☎ +49 (0) 2572 879-195 · 📠 +49 (0) 2572 879-322

Mail: info@dometic-waeco.de · Internet: www.dometic-waeco.de

**AUSTRALIA****Dometic Australia Pty. Ltd.**1 John Duncan Court  
Varsity Lakes QLD 4227

☎ +61 7 55076000

📠 +61 7 55076001

Mail: sales@dometic-waeco.com.au

**AUSTRIA****Dometic Austria GmbH**Neudorferstrasse 108  
2353 Guntramsdorf

☎ +43 2236 908070

📠 +43 2236 90807060

Mail: info@waeco.at

**BENELUX****Dometic Benelux B.V.**Ecustraart 3  
NL-4879 NP Etten-Leur

☎ +31 76 5029000

📠 +31 76 5029090

Mail: info@dometic.nl

**DENMARK****Dometic Denmark A/S**Nordensvej 15, Taulov  
DK-7000 Fredericia

☎ +45 75585966

📠 +45 75586307

Mail: info@waeco.dk

**FINLAND****Dometic Finland OY**

Mestarintie 4

FIN-01730 Vantaa

☎ +358 20 7413220

📠 +358 9 7593700

Mail: info@dometic.fi

**FRANCE****Dometic SAS**ZA du Pré de la Dame Jeanne  
F-60128 Plailly

☎ +33 3 44633500

📠 +33 3 44633518

Commercial : info@dometic.fr

SAV/Technique : service@dometic.fr

**HONG KONG****WAECO Impex Ltd.**Suites 2207-2211 · 22/F · Tower 1  
The Gateway · 25 Canton Road,

Tsim Sha Tsui · Kowloon

☎ +852 24611386

📠 +852 24665553

Mail: info@dometic-waeco.com.hk

**HUNGARY****Dometic Plc. Sales Office**

Kerékgyártó u. 5.

H-1147 Budapest

☎ +36 1 468 4400

📠 +36 1 468 4401

Mail: budapest@dometic.hu

**ITALY****Dometic Italy S.r.l.**

Via Virgilio, 3

I-47100 Forlì

☎ +39 0543 754901

📠 +39 0543 756631

Mail: info@dometic.it

**NORWAY****Dometic Norway AS**

Skolmar 24

N-3232 Sandefjord

☎ +47 33428450

📠 +47 33428459

Mail: firmapost@waeco.no

**POLAND****Dometic Poland Sp. z o.o.**

Ul. Puławska 435A

02-801 Warszawa

☎ +48 22 414 32 00

📠 +48 22 414 32 01

Mail: info@dometic.pl

**RUSSIA****Dometic RUS LLC**Komsomolskaya square 6-1  
107140 Moscow

☎ +7 495 780 79 39

📠 +7 495 916 56 53

Mail: info@dometic.ru

**SLOVAKIA****Dometic Slovakia Sales Office Bratislava**

Nádražná 34/A

SK-900 28 Ivanka pri Dunaji

☎/📠 +421 2 45 529 680

Mail: bratislava@dometic.com

**SPAIN****Dometic Spain S.L.**Avda. Sierra del Guadarrama, 16  
E-28691 Villanueva de la Cañada

Madrid

☎ +34 902 111 042

📠 +34 900 100 245

Mail: info@dometic.es

**SWEDEN****Dometic Scandinavia AB**

Gustaf Melins gata 7

S-42131 Västra Frölunda (Göteborg)

☎ +46 31 7341100

📠 +46 31 7341101

Mail: info@waeco.se

**SWITZERLAND****Dometic Switzerland AG**

Riedackerstrasse 7a

CH-8153 Rümlang (Zürich)

☎ +41 44 8187171

📠 +41 44 8187191

Mail: info@dometic-waeco.ch

**TAIWAN****WAECO Impex Ltd.**

Taipei Office

2 FL-3 · No. 56 Tunhua South Rd, Sec 2

Taipei 106

☎ +886 2 27014090

📠 +886 2 27060119

Mail: marketing@dometic-waeco.com.tw

**UNITED KINGDOM****Dometic UK Ltd.**

Dometic House · The Brewery

Blandford St. Mary

Dorset DT11 9LS

☎ +44 844 626 0133

📠 +44 844 626 0143

Mail: sales@dometic.co.uk

**UNITED ARAB EMIRATES****Dometic Middle East FZCO**

P. O. Box 17860

S-D 6, Jebel Ali Freezone

Dubai

☎ +971 4 883 3858

📠 +971 4 883 3868

Mail: info@dometic.ae

**UNITED STATES OF AMERICA****Dometic Marine Division**

2000 N. Andrews Ave. Extension

Pompano Beach, FL 33069 USA

☎ +1 954 973 2477

📠 +1 954 979 4414

Mail: marinesales@dometicusa.com

