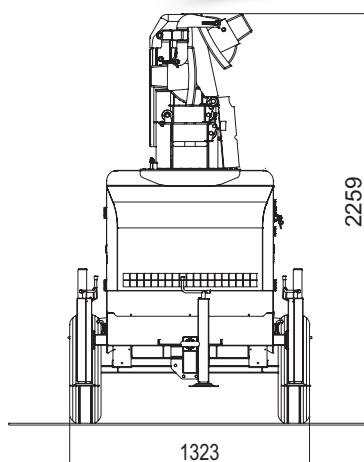
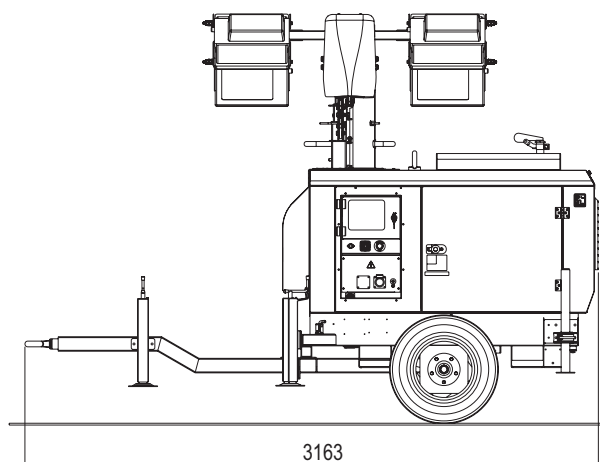


LIGHT & ENERGY

TF II9 Y

CHARACTERISTICS

- Zinc plated telescopic mast
- Safety valve for lowering the tower in case of hydraulic system failure
- Engine protection EP6
- Bunded base
- Spark arrestor
- Super silenced
- Single point lifting eye and forklift pockets
- Meets EC directives for noise and safety



VERSIONS ON REQUEST

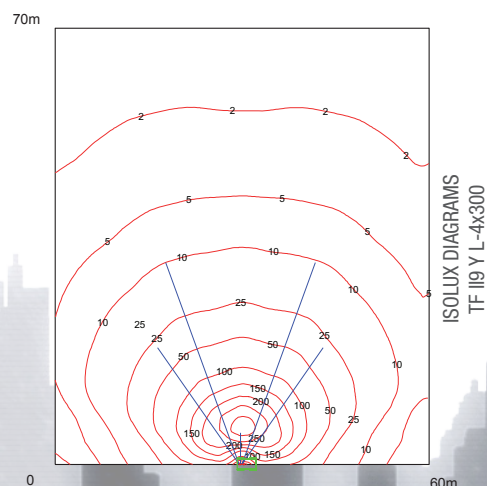
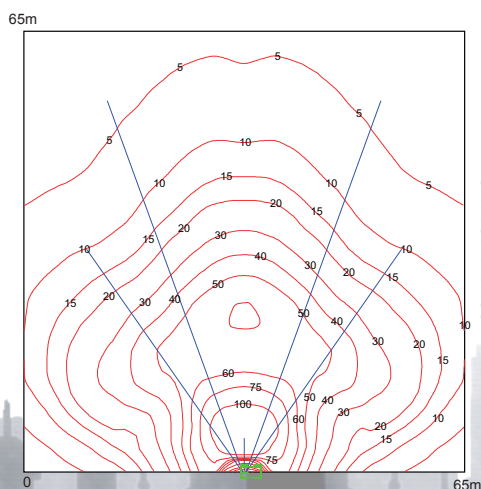
- Base Assembly with Stabilisers
- Fast Tow Highway Trailer (Homologated)
- Site Tow Trailer

AVAILABLE LAMPS

- TFII9 Y J-4x1000: 4 METAL HALIDE
- TFII9 Y L-4x300: 4 LED

OPTIONS ON REQUEST

- Switch for external power supply
- SCHUKO Sockets 16A/ 230V



The company reserves the right to change this specification without notice. For further information please contact the sales department.

© MOSA - Viale Europa, 59 - 20090 Cusago (Milano) - Italy - phone +39-0290352.1 - fax + 39-0290390466 E-mail: info@mosa.it Web site: www.mosa.it



TECHNICAL DATA

LIGHTS AND MAST			
LAMP TYPE:	4 x 1000 W – METAL HALIDE ILLUMINATED AREA 4200 mq - 25 Lux average' - 340000	4 x 300 W – LED ILLUMINATED AREA 4200 mq - 21 Lux average' - 130000 TOTAL LUMEN	
MAST ROTATION:			
MAST:	TELESCOPIC - HYDRAULIC		
GENERAL CHARACTERISTICS			
WIND LOAD STABILITY:			
TANK CAPACITY:	110 l		
RUNNING TIME:	75 h (LIGHTS LOAD ONLY)	197 h (LIGHTS LOAD ONLY)	
IP PROTECTION:	IP 44		
ACOUSTIC POWER:	LwA = 90 dBA LpA = 65 dBA @ 7 m		
STABILIZERS:	4 (2 ADJUSTABLE)		
DIMENSIONS (L x W x H) (mm):	- FULLY DEPLOYED (WORKING CONDITIONS) -		
		Length	Width
		Height	
	BASE ASSEMBLY WITH STABILISERS	2210	1885
	SITE TOW TRAILER	3160	1885
	FAST TOW HIGHWAY TRAILER (HOMOLOGATED)	3135	1885
		- TRANSPORT CONDITIONS -	
	BASE ASSEMBLY WITH STABILISERS	1780	1330
	SITE TOW TRAILER	3160	1330
	FAST TOW HIGHWAY TRAILER (HOMOLOGATED)	3135	1400
WEIGHT (DRY):	BASE ASSEMBLY WITH STABILISERS	940 kg	
	SITE TOW TRAILER	1060 kg	
	FAST TOW HIGHWAY TRAILER (HOMOLOGATED)	1075 kg	
TYRES:	SITE TOW TRAILER	2 x 185 / 65 R 14	
	FAST TOW HIGHWAY TRAILER (HOMOLOGATED)	2 x 195 / 50 R 13	
ENGINE - WATER COOLING			
MODEL:	YANMAR 3TNV76		
NET POWER (ST-BY / PRP):	9 kW / 8.2 kW @ 1500 rpm		
CYLINDERS / DISPLACEMENT:	3 / 1116 cm ³		
FUEL CONSUMPTION:	1.5 l / h (LIGHTS LOAD ONLY); 2.4 l / h (PRP)	0.6 l / h (LIGHTS LOAD ONLY); 2.4 l / h (PRP)	
BATTERY:	12V - 45 Ah		
GENERATOR			
ALTERNATOR:	LINZ E1C13SC/4 - 8 kVA, SINGLE PHASE, SYNCHRONOUS, BRUSHLESS, 4 POLES PF = 0.9 ISOLATION CLASS = H		
OUTPUT POWER:	3.5 kVA 230V / 15.2A 50 Hz 1x16A / 230V 2P+T CEE	6.5 kVA 230V / 28.3A 50 Hz 1x32A / 230V 2P+T CEE 1x16A / 230V 2P+T CEE	
CONTROL PANEL			
EP6 CONTROLLER FUNCTIONS:	High temperature engine shut down; Low oil pressure shut down; Overspeed shut down; Battery charge failure shut down; Delayed (5 min.) low fuel shut down; Overvoltage shut down; Battery over / undervoltage alarm.		
• STARTER KEY			
• AUTOSTART			
• PROTECTIONS AND ALARMS:			
• MEASUREMENTS:	Hourmeter; r.p.m. meter; battery charge alternator voltage; Battery voltage; generator voltage; generator current; generator frequency.		
FUEL LEVEL GAUGE			
EMERGENCY STOP BUTTON			
SIREN			
GENERAL PROTECTION CIRCUIT BREAKER			
OUTPUT SOCKET PROTECTION CIRCUIT BREAKER			
INDIVIDUAL CIRCUIT BREAKER SWITCHES FOR THE LAMPS			
MAST UP / DOWN PUSH BUTTONS			
1 SOCKET 230V / 16A 2P+T CEE (for version J-4x1000)			
1 SOCKET 230V/ 32A 2P+T CEE + 1 SOCKET 230V/ 16A 2P+T CEE (for version L-4x300)			

The company reserves the right to change this specification without notice. For further information please contact the sales department.

© MOSA - Viale Europa, 59 - 20090 Cusago (Milano) - Italy - phone +39-0290352.1 - fax + 39-0290390466 E-mail: info@mosa.it Web site: www.mosa.it

