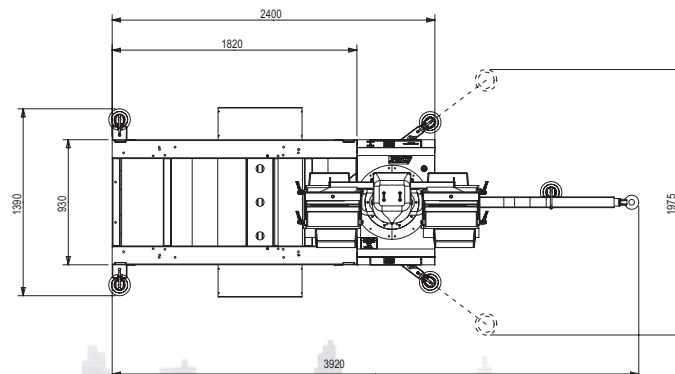
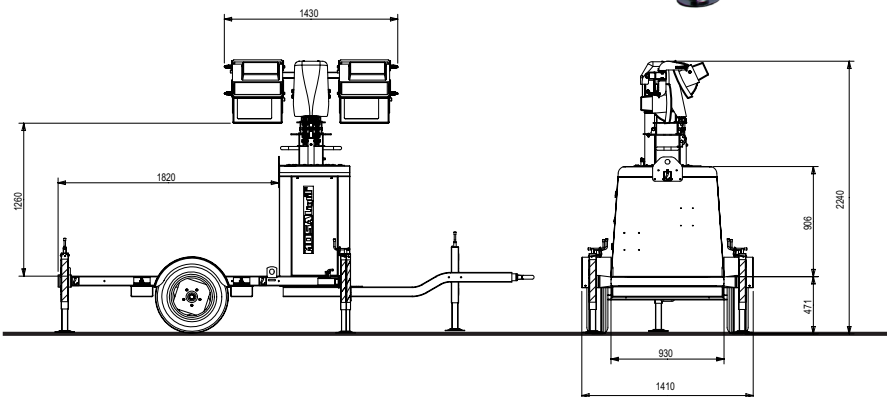


LIGHTING KIT TF NI9

CHARACTERISTICS

- Zinc plated telescopic mast
- Hydraulic raise/lower
- 340 degrees manual rotation of the tower
- Wind proof up to 80 km/h with generator having weight ≥ 210 kg
- Safety valve for lowering the tower in case of hydraulic system failure
- Two axes manually adjustable floodlights
- Switches to on/off for lamps
- Site tow trailer structure
- 2 x pneumatic wheels with mudguards
- Safety lock
- 4 x adjustable stabilisers, two extendable
- Lifting hooks and forklift pockets
- Frame prepared for installing a generating set from 8 to 20 kVA
- Meets EC directives



VERSIONS ON REQUEST

• /

AVAILABLE LAMPS

- TF NI9 A-6x1500: 6 HALOGEN
- TF NI9 J-4x1000: 4 METAL HALIDE
- TF NI9 L-4x300: 4 LED

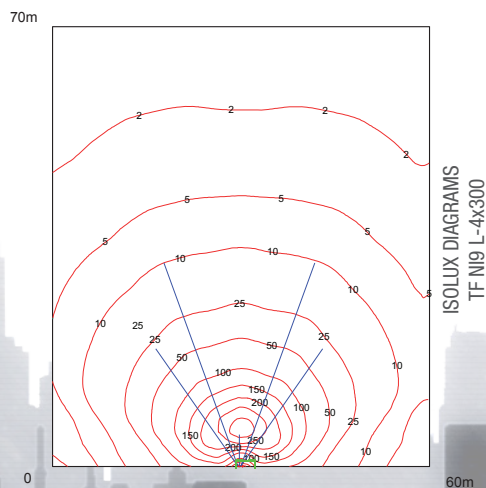
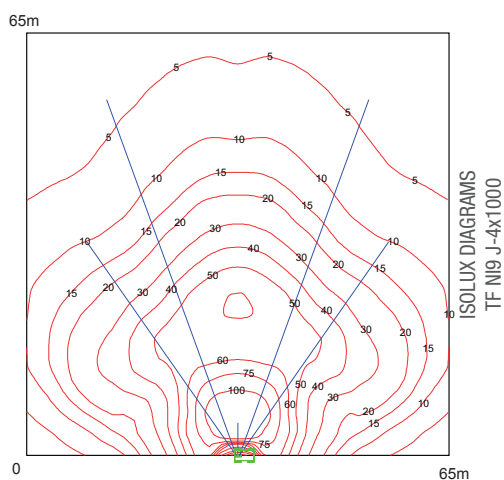
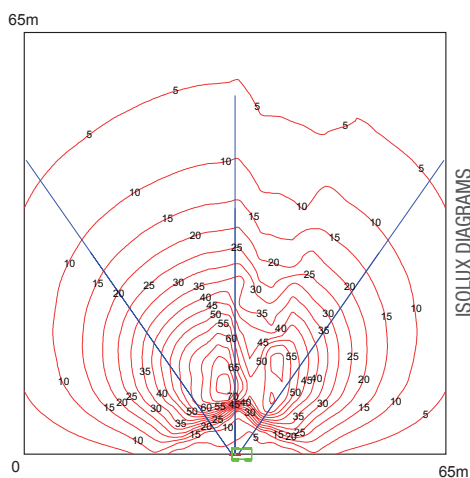
TECHNICAL DATA

DIMENSIONS AND WEIGHT:

	TF NI9 A-6X1500		TF NI9 J-4X1000		TF NI9 L-4X300	
	tower closed	tower open	tower closed	tower open	tower closed	tower open
Width (mm)	1410	1975	1410	1975	1410	1975
Length (mm)	3920	3920	3920	3920	3920	3920
Height (mm)	2240	9000	2240	9000	2240	9000
Weight (Kg)	790		790		790	

FEATURES

	TF NI9 A-6X1500	TF NI9 J-4X1000	TF NI9 L-4X300
Illuminated area	4200 mq	4200 mq	4200 mq
Lux average	16	21	21
Total lumen	216000	340000	130000



The company reserves the right to change this specification without notice. For further information please contact the sales department.

© MOSA - Viale Europa, 59 - 20090 Cusago (Milano) - Italy - phone +39-0290352.1 - fax + 39-0290390466 E-mail: info@mosa.it Web site: www.mosa.it

