

## CX14 S2 1000X685

SMALL SIZE, GREAT MANOEUVRABILITY



### CX12-CX14

The CX electric pallet trucks are available in different versions equipped with MOSFET technology. They are suitable for carrying loads on smooth or paved surfaces. Its small size and turning radius make it the ideal tool to work with in confined spaces, such as lorries or narrow aisles.

### STEERING WHEEL AND CONTROLS

- Ergonomic tiller
- Luminous indicator for battery state control.
- Butterfly valves for traction control.
- Safety pushbutton with warning buzzer.
- Forks way up/down control positioned on both sides of the handle (only on CX14).
- Hour counter in the Plus and Gel versions (only on CX14).
- "Tortoise" pushbutton for slow motion, which allows for the carrying out of operations with the tiller in vertical position.



### PLUS BATTERIES

The Plus versions are equipped with semitractor batteries that guarantee greater autonomy and an operative life that allows for up to 5 times higher a number of charge life cycles.

Thanks to the design of its guard, access to batteries is easy and rapid; this model also optimally combines size, power and low running cost also due to the integrated batteries and battery charger.



## STABILIZERS

Two stabilizing wheels enable movement even on more difficult surfaces thus guaranteeing maximum stability in any condition of use.



## Description

1.1 Manufacturer	LIFTER		
Lift	Electric		
1.3 Drive	Electric		
1.4 Operator type	Pedestrian		
1.5 Load capacity	Q	Kg	1400
1.6 Load centre distance	c	mm	500
1.8 Load axle to end forks	x	mm	785
1.9 Wheel base	y	mm	1045

## Weights

2.1 Service weight (battery included)	Kg	209
2.2 Axle load, laden rear	Kg	1045
2.2 Axle load, laden front	Kg	564
2.3 Axle load, unladen front	Kg	177
2.3 Axle load, unladen rear	Kg	32

## Tyres/Chassis

3.1 Tyres: front wheels	RUBBER		
3.1 Tyres: stabilizers wheels - Front	POLY.C.		
3.1 Tyres: rear wheels	POLY.C.		
3.2 Tyre size: Steering wheels - Width	mm	76	
3.2 Tyre size: Steering wheels - Diameter	mm	250	
3.3 Tyre size: Load rollers - Diameter	mm	82	
3.3 Tyre size: Load rollers - Width	mm	80	
3.4 Tyre size: stabilizers wheels front - Diameter	mm	100	
3.4 Tyre size: stabilizers wheels front - Width	mm	40	
3.5 Tyre size: rear wheels - Q.ty (X=driven)	nr	2	
3.6 Tread, front	b10 mm	506	
3.7 Tread, rear	b11 mm	535	

## Dimensions

4.4 Lift height	h3 mm	115
4.9 Height of tiller in drive position max	h14 mm	1242
4.15 Height, lowered	h13 mm	85
4.19 Overall length	l1 mm	1500
4.20 Length to face of forks	l2 mm	500
4.21 Overall width	b1 mm	720
4.22 Fork dimensions - Thickness	s mm	50
4.22 Fork dimensions - Width	e mm	150
4.22 Fork dimensions - Length	l mm	1000
4.25 Distance between fork arms	b5 mm	685
4.32 Ground clearance, centre of wheelbase	m2 mm	35
4.34 Aisle width	Ast mm	1700
4.35 Turning radius	Wa mm	1285

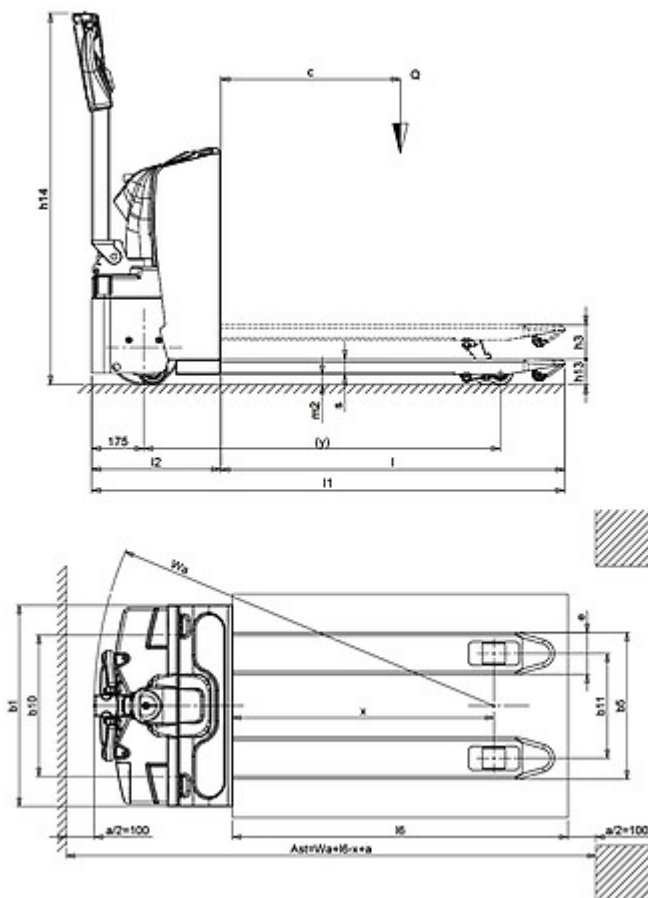
## Performance data

5.1 Travel speed laden	Km/h	4.5
5.1 Travel speed unladen	Km/h	4.7
5.2 Lifting speed laden	m/s	0.02
5.2 Lifting speed unladen	m/s	0.03
5.3 Lowering speed laden	m/s	0.04
5.3 Lowering speed unladen	m/s	0.04
5.8 Max gradeability laden	%	5
5.8 Max gradeability unladen	%	10
5.10 Service brake		Electric

## Electric motors

6.1 Drive motor power	kW	0.7
6.2 Lift motor power	kW	0.4
typ baterii		Automotive (C20)
6.4 Battery voltage	V	24
6.4 Battery capacity, Min	Ah	70
6.4 Battery capacity, Max	Ah	70
6.5 Battery weight, Min	Kg	32
6.5 Battery weight, Max	Kg	32

Integrated battery and battery charger



The information is aligned with the Data file at the time of download. Printed on 12/10/2017 (ID 458)

©2017 | PR INDUSTRIAL s.r.l. | All rights reserved | Image shown may not reflect actual package. Specifications subject to change without notice

