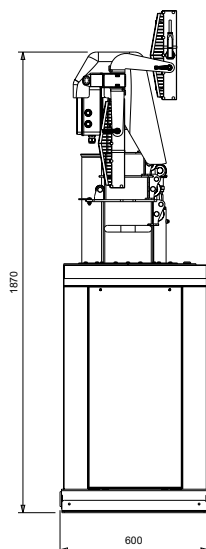
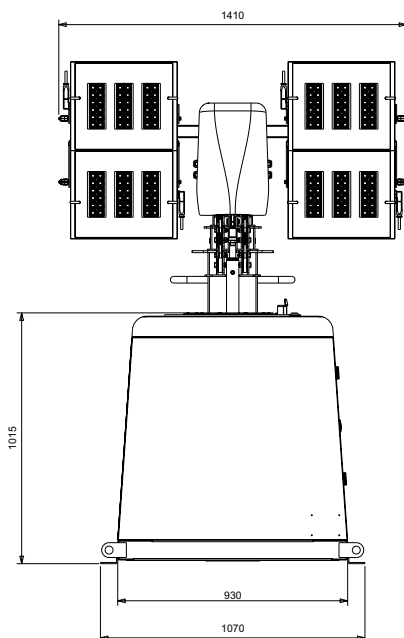


LIGHTING KIT TF KIT I9

CHARACTERISTICS

- Zinc plated telescopic mast
- Hydraulic raise/lower
- 340 degrees manual rotation of the tower
- Safety valve for lowering the tower in case of hydraulic system failure
- Two axes manually adjustable floodlights
- Interruttori accensione lampade
- Safety lock
- Base plate ready to be fixed on any kind of platform
- Lifting hooks and forklift pockets
- Meets EC directives

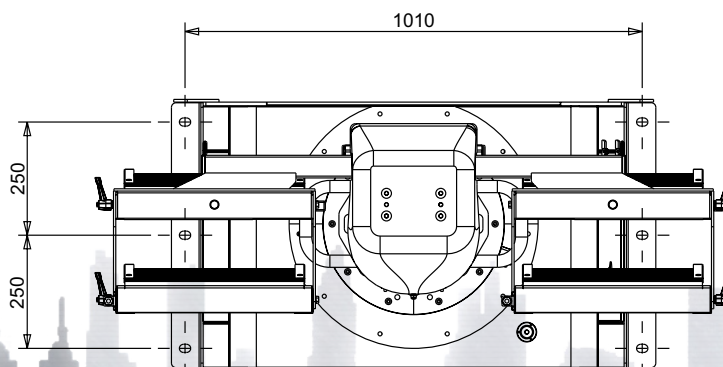


VERSIONS ON REQUEST

• /

AVAILABLE LAMPS

- TF KIT I9 A-6x1500: 6 HALOGEN
- TF KIT I9 J-4x1000: 4 METAL HALIDE
- TF KIT I9 L-4x300: 4 LED



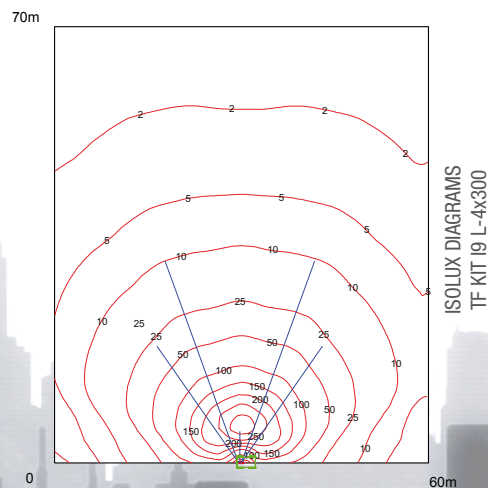
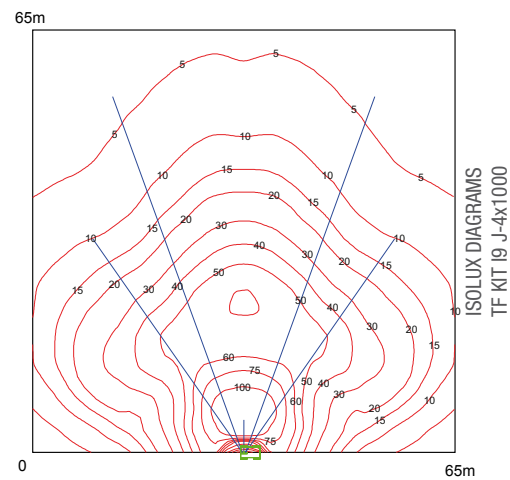
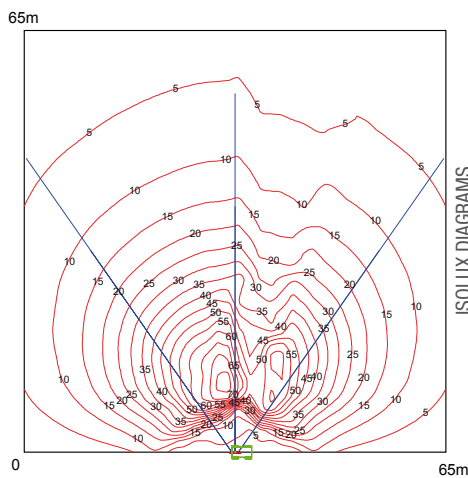
TECHNICAL DATA

DIMENSIONS AND WEIGHT:

	TF KIT I9 A-6X1500		TF KIT I9 J-4X1000		TF KIT I9 L-4X300	
	tower closed	tower open	tower closed	tower open	tower closed	tower open
Width (mm)	1410	1975	1410	1975	1410	1975
Length (mm)	3920	3920	3920	3920	3920	3920
Height (mm)	2240	9000	2240	9000	2240	9000
Weight (Kg)	790		790		790	

FEATURES

	TF KIT I9 A-6X1500	TF KIT I9 J-4X1000	TF KIT I9 L-4X300
Illuminated area	4200 mq	4200 mq	4200 mq
Lux average	16	25	21
Total lumen	216000	340000	130000



The company reserves the right to change this specification without notice. For further information please contact the sales department.

© MOSA - Viale Europa, 59 - 20090 Cusago (Milano) - Italy - phone +39-0290352.1 - fax + 39-0290390466 E-mail: info@mosa.it Web site: www.mosa.it

