

LUX S10

WIDE



OPTION TO CONNECT THE UNITS IN SERIES
TO AN EXTERNAL POWER SOURCE



VERTICAL TELESCOPIC MAST
MAX HEIGHT | 4.5 m
PNEUMATIC LIFTING SYSTEM



LED FLOODLIGHTS | 6X50 W
ILLUMINATED AREA | 1600 m²



TILTABLE FLOODLIGHTS
MAST ROTATION



OUTLET SOCKET | 16 A - 230 V
INLET PLUG | 16 A - 230 V



INDOOR AND OUTDOOR USE
EASY STORE & HANDLING
COMPACT DESIGN



GALVANIZED METAL BODY
80 µm POWDER COATING



3 TELESCOPIC
STABILIZERS

LC

SERIES



MADE IN
ITALY



LUXTOWER 
lighting towers

LC Series LUX S10

TECHNICAL DATA

Rough dimensions & weight

Dimensions min.	mm	403 X 403 X 1440
Dimensions max.	mm	2372 X 2058 X 4300
Total weight	Kg	65

Features

Rotation		360°
Floodlight	W	6 X 50 W
Lamps		LED
Inlet plug	A/V	16 - 230
Outlet socket	A/V	16 - 230
Wind stability	Km/h	110
IP level		65
Operating temperature	C°	-30° to +45°



NO FUEL COSTS



NO EMISSIONS



NO NOISE EMISSIONS



NO MAINTENANCE



MAX 10



Up to **10 LUX S10** can be connected in series to an external power source such as **4KW generator** or **main**

*according with rated output and electric specs

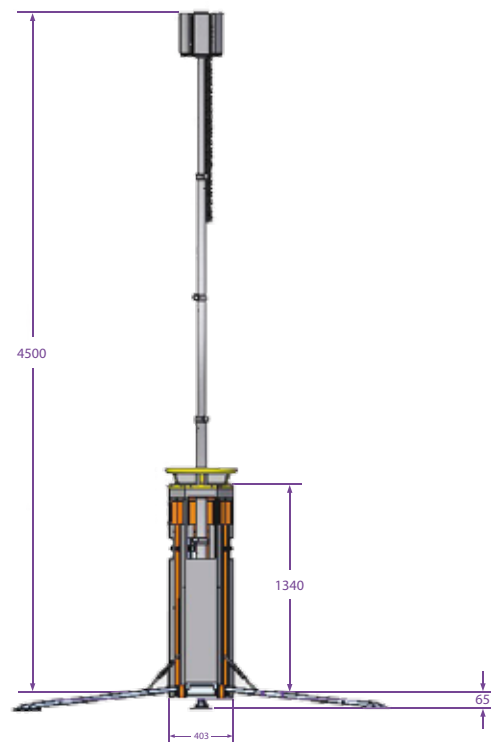
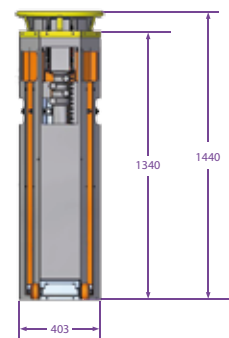
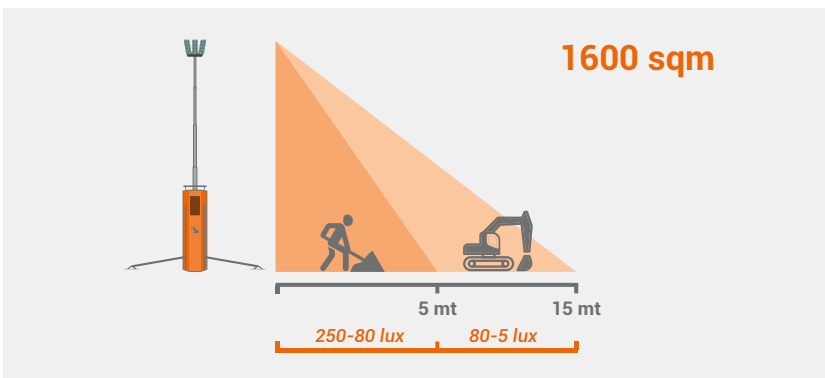


MAX 6



Up to **6 LUX S10** can be connected in series to a lighting tower with **3.5 kVA outlet socket**

Illuminated Area // 5 lux min



Luxtower: Via Strada Nuova, 28 - 27050 Codevilla (PV) ITALY | TLF. +39 0383 365544 | Fax +39 0383 49702

LUXTOWER ongoing policy is in continuous improvement. The company reserves the right to modify the technical specifications and items described in this catalogue at any time and without notice for technical or commercial reasons. Product images are shown for information only LUXTOWER® - 2016© All rights reserved.