

STEEL

2 E 4 POLI - MONOFASE A SPAZZOLE - AVR

- > Autoregolati
- > IP 23
- > Tensione standard: 230 V - 50 Hz
- > Corrente di cortocircuito superiore a 3 In
- > Accoppiamenti: IM B34, IM B35, SAE
- > DIGITAL AVR

FK/R

2 POLI - 2 POLES

model	power		η 4/4		mass
			p.f. 1		
	kVA	%	kVA	%	
	50 Hz 3000 rpm		60 Hz 3600 rpm		Kg (approx)
FKR 2 LA	15	82	18	83	
FKR 2 LC	18,5	84	22	85	79

2 AND 4 POLES - SINGLE PHASE BRUSHES - AVR

- > Self-regulated
- > IP 23
- > Standard voltage: 230 V - 50 Hz
- > Short circuit current greater than 3 In
- > Couplings: IM B34, IM B35, SAE
- > DIGITAL AVR

4 POLI - 4 POLES

model	power		η 4/4		mass
			p.f. = 1		
	kVA	%	kVA	%	
	50 Hz 1500 rpm		60 Hz 1800 rpm		Kg (approx)
FKR 4 LC	10	83	12	84	

2 E 4 POLI - TRIFASE

- > Autoregolati
- > IP 23
- > Tensione standard: 230/400 V - 50 Hz
- > Corrente di cortocircuito superiore a 3 In
- > Accoppiamenti: IM B34, IM B35, SAE
- > DIGITAL AVR

FT

A SPAZZOLE - COMPOUND

2 POLI - 2 POLES

model	power		η 4/4		mass
			p.f. 0,8		
	kVA	%	kVA	%	
	50 Hz 3000 rpm		60 Hz 3600 rpm		Kg (approx)
FT 2 LA	20	85	24	86	
FT 2 LC	24	87	29	88	88

2 AND 4 POLES - THREE PHASE

- > Self-regulated
- > IP 23
- > Standard voltage: 230/400 V - 50 Hz
- > Short circuit current greater than 3 In
- > Couplings: IM B34, IM B35, SAE
- > DIGITAL AVR

FT

A SPAZZOLE - COMPOUND

4 POLI - 4 POLES

model	power		η 4/4		mass
			p.f. 0,8		
	kVA	%	kVA	%	
	50 Hz 1500 rpm		60 Hz 1800 rpm		Kg (approx)
FT 4 LC	17	84	20	85	

FT/R

A SPAZZOLE - AVR

2 POLI - 2 POLES

model	power		η 4/4		mass
			p.f. 0,8		
	kVA	%	kVA	%	
	50 Hz 3000 rpm		60 Hz 3600 rpm		Kg (approx)
FTR 2 LA	20	85	24	86	
FTR 2 LC	24	87	29	88	82

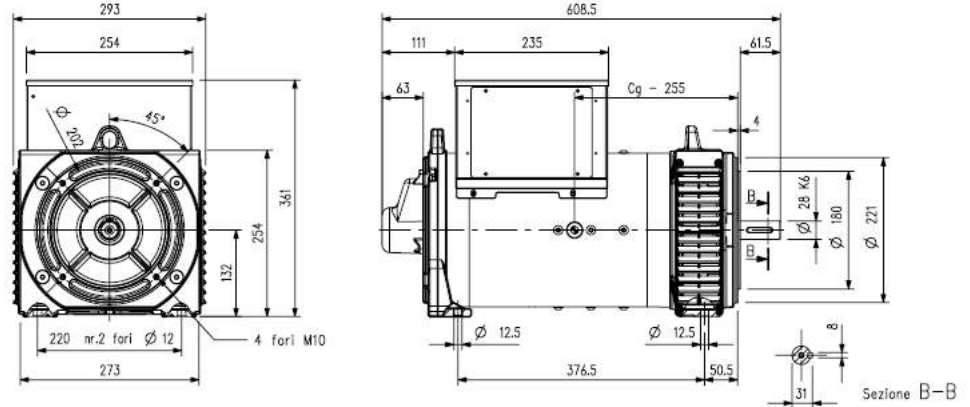
FT/R

BRUSHES - AVR

4 POLI - 4 POLES

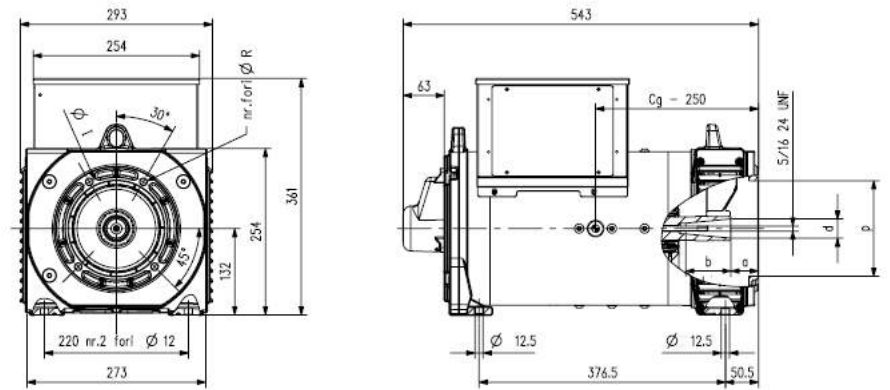
model	power		η 4/4		mass
			p.f. 0,8		
	kVA	%	kVA	%	
	50 Hz 1500 rpm		60 Hz 1800 rpm		Kg (approx)
FTR 4 LC	17	84	20	85	

IM B34 - B3/B14



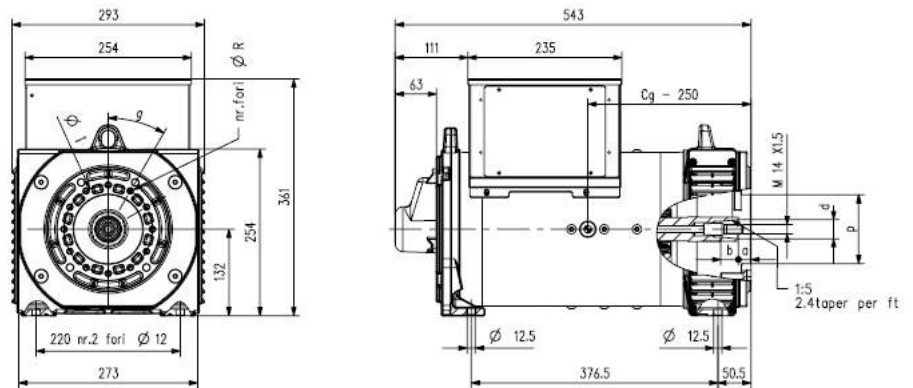
IM B35 - J609b (c25,4 / 35)

cone	shaft			flange			
	d	a	b	l	p	holes	R
25,4	25,4	63,5	48	165	146,1	4	11
35	29,4	42,2	69	197	163,6	4	11
				197	177,8	4	11



IM B35 - B3/B9 (c30 / 38)

cone	shaft			flange				
	d	a	b	l	p	holes	R	g
30	29,4	19	27	135	105	12	9	30°
38	37,4	8	37	150	125	4	12	90°



SAE5, SAE4, SAE3

disk joint	flange				L	G	l1	holes	R	S1
	5	4	3							
6,5	●	●			30,2	215,9	200	6	9	60°
7,5	●	●			30,2	241,3	222,2	8	9	45°
8	●	●	●		62	263,5	244,5	6	11	60°
10	●	●	●		53,8	314,3	295,3	8	11	45°
11,5	●	●	●		39,6	352,4	333,4	8	11	45°
P	314,3	362	409,6							
Q	358	405	452							
I	333,4	381	428,6							
R1	11	11	11							
S	22° 30'	15°	15°							
holes	8	12	12							

