

GE 40 VSX

0 3 1 0

344409003 - GB

USE AND MAINTENANCE MANUAL SPARE PARTS CATALOG

Main Characteristics of the unit:

- Three-phase electric power (max) 32 kW / 400 V / 50 Hz
- Diesel engine VM SUN 3105 T E2
- Synchronous alternator brushless
- Tank of 68l with autonomy of 9.5 h
- Dimensions / weight, 1940x850x1080 / 910 Kg
- Noise level at 7m 66dB(A)
- Prepared for automatic start unit
- Prepared for remote start/stop



The unit is composed of: a structured base which includes a tank, an engine/alternator unit fixed on the base by elastic dampers, a roll-bar, with hook for an easy and sure lifting, a chest hinged to the roll-bar for a quick access to the engine, to the air filter and to the battery. The set is completed by a frontal panel where the sockets, the protections and the measuring instruments are mounted, all this protected by a same sized cover.


UNI EN ISO 9001 : 2000

ISO 9001:2000 - Cert. 0192

MOSA has certified its quality system according to UNI EN ISO 9001:2000 to ensure a constant, high quality of its products. This certification covers the design, production and servicing of engine driven welders and generating sets.

The certifying institute, ICIM, which is a member of the International Certification Network IQNet, awarded the official approval to MOSA after an examination of its operations at the head office and plant in Cusago (MI), Italy.

This certification is not a point of arrival but a pledge on the part of the entire company to maintain a level of quality of both its products and services which will continue to satisfy the needs of its clients, as well as to improve the transparency and the communications regarding all the company's activities in accordance with the official procedures and in harmony with the MOSA Manual of Quality.

The advantages for MOSA clients are:

- Constant quality of products and services at the high level which the client expects;
- Continuous efforts to improve the products and their performance at competitive conditions;
- Competent support in the solution of problems;
- Information and training in the correct application and use of the products to assure the security of the operator and protect the environment;
- Regular inspections by ICIM to confirm that the requirements of the company's quality system and ISO 9001 are being respected.

All these advantages are guaranteed by the CERTIFICATE OF QUALITY SYSTEM No.0192 issued by ICIM S.p.A. - Milano (Italy) - www.icim.it

INDEX (for all MOSA models)

M 01	QUALITY SYSTEM	
M 1.01	COPYRIGHT	
M 1.1	NOTES	
M 1.4	NOTES	
M 2- ...	SYMBOLS AND SAFETY PRECAUTIONS	
M 2.3	ABBREVIATIONS LEGEND	
M 2.4	SYMBOLS	
M 2.5...	INSTALLATION AND ADVICE BEFORE USE	
M 2.6	INSTALLATIONS AND ADVICE	
M 2.7	INSTALLATION	
M 3	PACKING	
M 4	TRANSPORT AND DISPLACEMENTS	
M 6	ASSEMBLY: CT.....	
M 20	SETTING-UP THE UNIT (DIESEL ENGINE)	
M 21	ENGINE STARTING AND USE (DIESEL ENGINE)	
M 22	STOPPING THE ENGINE (DIESEL ENGINE)	
M 25	SETTING-UP THE UNIT (GASOLINE ENGINE)	
M 26	STARTING THE ENGINE (GASOLINE ENGINE)	
M 27	STOPPING THE ENGINE (GASOLINE ENGINE)	
M 30	CONTROLS LEGEND	
M 31	CONTROLS	
M 32	CONTROLS (FRONT PANEL)	
M 33	USE AS HYDRAULIC POWER TAKE-OFF	only for TS
M 34	USE AS A WELDER	only for TS
M 35	USE AS AN ENGINE STARTER	only for TS
M 36	USE AS A BATTERY CHARGE	
M 37	USE AS A GENERATOR	
M 38	USE OF THE REMOTE CONTROL	
M 39	USE OF THE ENGINE PROTECTION	
M 40	TROUBLE SHOOTING	
M 43	MAINTENANCE	
M 44	PERIODIC MAINTENANCE	
M 45	STORAGE	
M 46	CAST OFF	
M 51	TECHNICAL DATA	
M 52	TECHNICAL DATA ENGINE DRIVEN WELDER	only for TS
M 53	DIMENSIONS	
M 55	RECOMMENDED ELECTRODES	only for TS
M 60	ELECTRICAL SYSTEM LEGENDE	
M 61	ELECTRICAL SYSTEM	
M 65	HYDRAULIC SYSTEM	
R 1	SPARE PARTS LIST	
.....	SPARE PARTS	
K...	ACCESSORIES	



ATTENTION

This use and maintenance manual is an important part of the machines in question.

The assistance and maintenance personnel must keep said manual at disposal, as well as that for the engine and alternator (if the machine is synchronous) and all other documentation about the machine.

We advise you to pay attention to the pages concerning the security (see page M1.1).



© All rights are reserved to said Company.

It is a property logo of MOSA division of B.C.S. S.p.A. All other possible logos contained in the documentation are registered by the respective owners.

▮ The reproduction and total or partial use, in any form and/or with any means, of the documentation is allowed to nobody without a written permission by MOSA division of B.C.S. S.p.A.

To this aim is reminded the protection of the author's right and the rights connected to the creation and design for communication, as provided by the laws in force in the matter.

In no case MOSA division of B.C.S. S.p.A. will be held responsible for any damage, direct or indirect, in relation with the use of the given information.

MOSA division of B.C.S. S.p.A. does not take any responsibility about the shown information on firms or individuals, but keeps the right to refuse services or information publication which it judges discutible, unright or illegal.

INFORMATION

Dear Customer,
We wish to thank you for having bought from MOSA a high quality set.

Our sections for Technical Service and Spare Parts will work at best to help you if it were necessary.

To this purpose we advise you, for all control and overhaul operations, to turn to the nearest authorized Service Centre, where you will obtain a prompt and specialized intervention.

- ☞ In case you do not profit on these Services and some parts are replaced, please ask and be sure that are used exclusively original MOSA parts; this to guarantee that the performances and the initial safety prescribed by the norms in force are re-established.
- ☞ **The use of non original spare parts will cancel immediately any guarantee and Technical Service obligation from MOSA.**

NOTES ABOUT THE MANUAL

Before actioning the machine please read this manual attentively. Follow the instructions contained in it, in this way you will avoid inconveniences due to negligence, mistakes or incorrect maintenance. The manual is for qualified personnel, who knows the rules: about safety and health, installation and use of sets movable as well as fixed.

You must remember that, in case you have difficulties for use or installation or others, our Technical Service is always at your disposal for explanations or interventions.

The manual for Use Maintenance and Spare Parts is an integrant part of the product. It must be kept with care during all the life of the product.

In case the machine and/or the set should be yielded to another user, this manual must also given to him.

Do not damage it, do not take parts away, do not tear pages and keep it in places protected from dampness and heat.

You must take into account that some figures contained in it want only to identify the described parts and therefore might not correspond to the machine in your possession.

INFORMATION OF GENERAL TYPE

In the envelope given together with the machine and/or set you will find: the manual for Use Maintenance and Spare Parts, the manual for use of the engine and the tools (if included in the equipment), the guarantee (in the countries where it is prescribed by law).

Our products have been designed for the use of generation for welding, electric and hydraulic system; ANY OTHER DIFFERENT USE NOT INCLUDED IN THE ONE INDICATED, relieves MOSA from the risks which could happen or, anyway, from that which was agreed when selling the machine; MOSA excludes any responsibility for damages to the machine, to the things or to persons in this case.

Our products are made in conformity with the safety norms in force, for which it is advisable to use all these devices or information so that the use does not bring damage to persons or things.

While working it is advisable to keep to the personal safety norms in force in the countries to which the product is destined (clothing, work tools, etc.).

Do not modify for any motive parts of the machine (fastenings, holes, electric or mechanical devices, others..) if not duly authorized in writing by MOSA: the responsibility coming from any potential intervention will fall on the executioner as in fact he becomes maker of the machine.

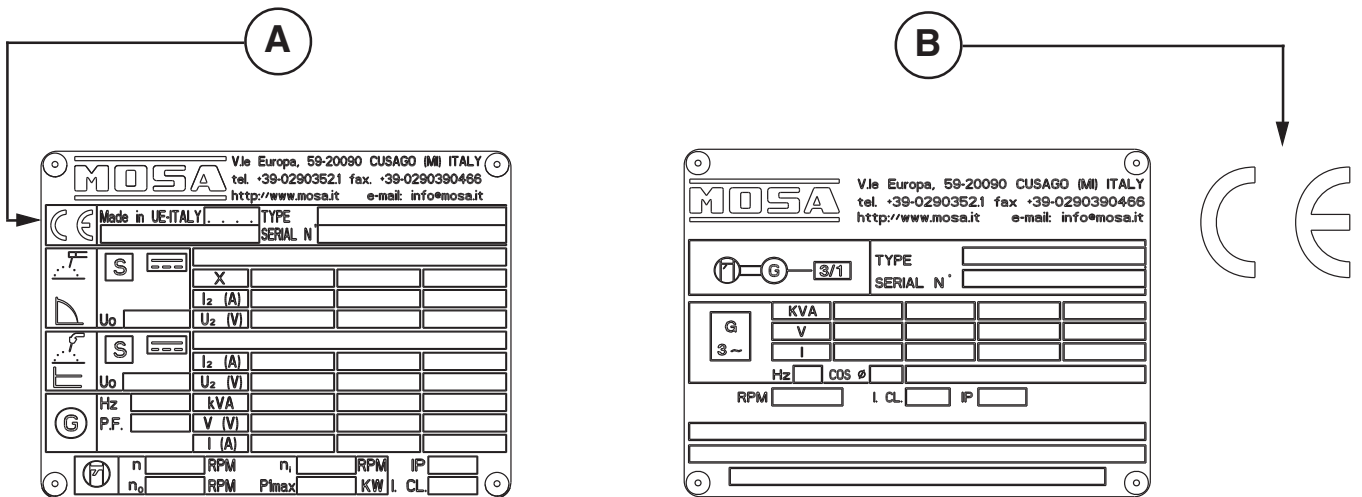
- ☞ **Notice:** *this manual does not engage MOSA, who keeps the faculty, apart the essential characteristics of the model here described and illustrated, to bring betterments and modifications to parts and accessories, without putting this manual uptodate immediately.*



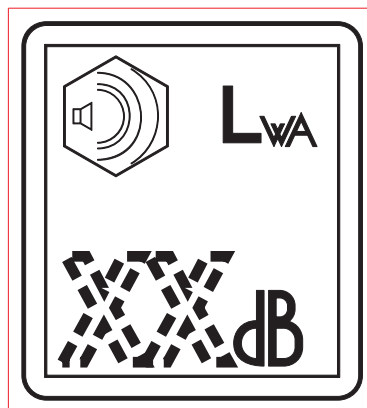
Any of our product is labelled with CE marking attesting its conformity to appliable directives and also the fulfillment of safety requirements of the product itself; the list of these directives is part of the declaration of conformity included in any machine standard equipment. Here below the adopted symbol:



CE marking is clearly readable and unerasable and it can be either part of the data-plate (A) or placed as a sticker near the data-plate (B)



Furthermore, on each model it is shown the noise level value; the symbol used is the following:



The indication is shown in a clear, readable and indeleble way on a sticker.

The generating set GE 40 is a unit which transforms the mechanical energy, generated by endothermic engine, into electric energy, through an alternator.

Is meant for industrial and professional use, powered by an endothermic engine; it is composed of various main parts such as: engine, alternator, electric and electronic controls, the fairing or a protective structure.

The assembling is made on a steel structure, on which are provided elastic support which must damp the vibrations and also eliminate sounds which would produce noise.

Technical data

GE 40 VSX

GENERATOR

Three-phase generation (*stand-by)	40 kVA (32 kW)/ 400 V / 57.8 A
Three-phase generation (**PR.P.)	36 kVA (28.8 kW)/ 400 V / 52 A
Single-phase generation	13.5 kVA / 230 V / 58.7 A
Frequency	50 Hz
Power factor (cos φ)	0.8


ALTERNATOR

	self-excited, self-regulated, brushless
Type	three-phase, synchronous
Insulating class	H

ENGINE

Mark / Model	VM SUN 3105 T E2
Type / Cooling system	Diesel 4-Stroke / Air
Cylinders / Displacement	3 / 2987 cm ³
Net power (stand-by)	36.5 kW (49.5 HP)
Net power (PR.P.)	33 kW (44.9 HP)
Speed	1500 rpm
Fuel consumption (75% of PR.P.)	7.1 l/h
Engine oil capacity	6.9 l
Starter	Electric

GENERAL SPECIFICATIONS

Battery	12V - 100 Ah
Tank capacity	68 l
Running time (75% of PR.P.)	9.5 h
Protection	IP 23
Dimensions max. su base LxIxH *	1940x850x1080
Weight *	910 Kg
Measured acoustic power L_{WA} (pressure L_{pA})	91 dB(A) (66 dB(A) @ 7 m) 
Guaranteed acoustic power L_{WA} (pressure L_{pA})	92 dB(A) (67 dB(A) @ 7 m)

* Dimensions and weight are inclusive of all parts

OUTPUT

Declared power according to ISO 8528-1 (temperature 25°C, 30% relative humidity, altitude 100 m above sea level).

(*Stand-by) = maximum available power for use at variable loads for a yearly number of hours limited at 500 h. No overload is admitted.

(**Prime power PR.P.) = maximum available power for use at variable loads for a yearly illimited number of hours. The average power to be taken during a period of 24 h must not be over 80% of the P.R.P.

It's admitted overload of 10% each hour every 12 h.

In an **approximative** way one reduces: of 1% every 100 m altitude and of 2.5% for every 5°C above 25°C.

ACOUSTIC POWER LEVEL


ATTENTION: The concrete risk due to the machine depends on the conditions in which it is used. Therefore, it is up to the end-user and under his direct responsibility to make a correct evaluation of the same risk and to adopt specific precautions (for instance, adopting a I.P.D. -Individual Protection Device)

Acoustic Noise Level (L_{WA}) - Measure Unit dB(A): it stands for acoustic noise released in a certain delay of time. This is not submitted to the distance of measurement.

Acoustic Pressure (L_p) - Measure Unit dB(A): it measures the pressure originated by sound waves emission. Its value changes in proportion to the distance of measurement.

The here below table shows examples of acoustic pressure (L_p) at different distances from a machine with Acoustic Noise Level (L_{WA}) of 95 dB(A)

Lp a 1 meter = 95 dB(A) - 8 dB(A) = 87 dB(A)	Lp a 7 meters = 95 dB(A) - 25 dB(A) = 70 dB(A)
Lp a 4 meters = 95 dB(A) - 20 dB(A) = 75 dB(A)	Lp a 10 meters = 95 dB(A) - 28 dB(A) = 67 dB(A)

PLEASE NOTE: the symbol  when with acoustic noise values, indicates that the device respects noise emission limits according to 2000/14/CE directive.

SYMBOLS IN THIS MANUAL

- The symbols used in this manual are designed to call your attention to important aspects of the operation of the machine as well as potential hazards and dangers for persons and things.

IMPORTANT ADVICE

- Advice to the User about the safety:

- ☞ N.B.: The information contained in the manual can be changed without notice. Potential damages caused in relation to the use of these instructions will not be considered because these are only indicative. Remember that the non observance of the indications reported by us might cause damage to persons or things. It is understood, that local dispositions and/or laws must be respected.

WARNING



Situations of danger - no harm to persons or things

Do not use without protective devices provided

Removing or disabling protective devices on the machine is prohibited.

Do not use the machine if it is not in good technical condition

The machine must be in good working order before being used. Defects, especially those which regard the safety of the machine, must be repaired before using the machine.

SAFETY PRECAUTIONS

**DANGEROUS**

This heading warns of an immediate danger for persons as well for things. Not following the advice can result in serious injury or death.

**WARNING**

This heading warns of situations which could result in injury for persons or damage to things.

**CAUTION**

To this advice can appear a danger for persons as well as for things, for which can appear situations bringing material damage to things.

**IMPORTANT****NOTE****ATTENTION**

These headings refer to information which will assist you in the correct use of the machine and/or accessories.

SYMBOLS (for all MOSA models)



STOP - Read absolutely and be duly attentive



Read and pay due attention



GENERAL ADVICE - If the advice is not respected damage can happen to persons or things.



HIGH VOLTAGE - Attention High Voltage. There can be parts in voltage, dangerous to touch. The non observance of the advice implies life danger.



FIRE - Danger of flame or fire. If the advice is not respected fires can happen.



HEAT - Hot surfaces. If the advice is not respected burns or damage to things can be caused.



EXPLOSION - Explosive material or danger of explosion. in general. If the advice is not respected there can be explosions.



WATER - Danger of shortcircuit. If the advice is not respected fires or damage to persons can be caused.



SMOKING - The cigarette can cause fire or explosion. If the advice is not respected fires or explosions can be caused.



ACIDS - Danger of corrosion. If the advice is not respected the acids can cause corrosions with damage to persons or things.



WRENCH - Use of the tools. If the advice is not respected damage can be caused to things and even to persons.



PRESSION - Danger of burns caused by the expulsion of hot liquids under pressure.



ACCES FORBIDDEN to non authorizad people.

PROHIBITIONS No harm for persons

Use only with safety clothing -



It is compulsory to use the personal protection means given in equipment.

Use only with safety clothing -



It is compulsory to use the personal protection means given in equipment.

Use only with safety protections -



It is a must to use protection means suitable for the different welding works.

Use with only safety material -



It is prohibited to use water to quench fires on the electric machines.

Use only with non inserted voltage -



It is prohibited to make interventions before having disinserted the voltage.

No smoking -



It is prohibited to smoke while filling the tank with fuel.

No welding -



It is forbidden to weld in rooms containing explosive gases.

ADVICE No harm for persons and things

Use only with safety tools, adapted to the specific use -

It is advisable to use tools adapted to the various maintenance works.

Use only with safety protections, specifically suitable



It is advisable to use protections suitable for the different welding works.

Use only with safety protections -



It is advisable to use protections suitable for the different daily checking works.

Use only with safety protections -



It is advisable to use all protections while shifting the machine.

Use only with safety protections -



It is advisable to use protections suitable for the different daily checking works.and/or of maintenance.



The installation and the general advice concerning the operations, are finalized to the correct use of the machine, in the place where it is used as generator group and/or welder.

ENGINE	Stop engine when fueling	CHECKING BOARD	Do not touch electric devices if you are barefoot or with wet clothes.
	Do not smoke, avoid flames, sparks or electric tools when fueling.		Always keep off leaning surfaces during work operations
	Unscrew the cap slowly to let out the fuel vapours.		Static electricity can damage the parts on the circuit.
	Slowly unscrew the cooling liquid tap if the liquid must be topped up.		An electric shock can kill
	The vapor and the heated cooling liquid under pressure can burn face, eyes, skin.		
	Do not fill tank completely.		
	Wipe up spilled fuel before starting engine.		
	Shut off fuel of tank when moving machine (where it is assembled).		
Avoid spilling fuel on hot engine.			
Sparks may cause the explosion of battery vapours			



FIRST AID. In case the operator should be sprayed by accident, from corrosive liquids a/o hot toxic gas or whatever event which may cause serious injuries or death, predispose the first aid in accordance with the ruling labour accident standards or of local instructions.

Skin contact	Wash with water and soap
Eyes contact	Irrigate with plenty of water, if the irritation persists contact a specialist
Ingestion	Do not induce vomit as to avoid the intake of vomit into the lungs, send for a doctor
Suction of liquids from lungs	If you suppose that vomit has entered the lungs (as in case of spontaneous vomit) take the subject to the hospital with the utmost urgency
Inhalation	In case of exposure to high concentration of vapours take immediately to a non polluted zone the person involved



FIRE PREVENTION. In case the working zone, for whatsoever cause goes on fire with flames liable to cause severe wounds or death, follow the first aid as described by the ruling norms or local ones.

EXTINCTION MEANS	
Appropriated	Carbonate anhydride (or carbon dioxide) powder, foam, nebulized water
Not to be used	Avoid the use of water jets
Other indications	Cover eventual shedding not on fire with foam or sand, use water jets to cool off the surfaces close to the fire
Particular protection	Wear an autorespiratory mask when heavy smoke is present
Useful warnings	Avoid, by appropriate means to have oil sprays over metallic hot surfaces or over electric contacts (switches, plugs, etc.). In case of oil sprinkling from pressure circuits, keep in mind that the inflammability point is very low.

WARNING					CAUTION		DANGEROUS

 WARNING	<p>THE MACHINE MUST NOT BE USED IN AREAS WITH EXPLOSIVE ATMOSPHERE</p>
--------------------	---



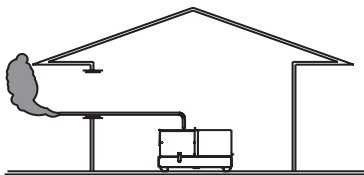
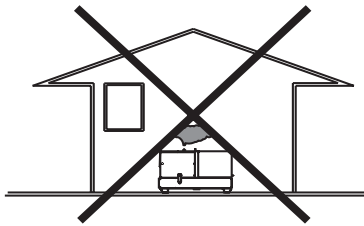
INSTALLATION AND ADVICE BEFORE USE

GASOLINE ENGINES

- Use in open space, air swept or vent exhaust gases, which contain the deadly carbone oxyde, far from the work area.

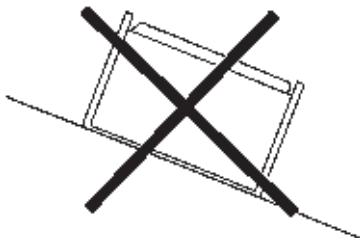
DIESEL ENGINES

- Use in open space, air swept or vent exhaust gases far from the work area.

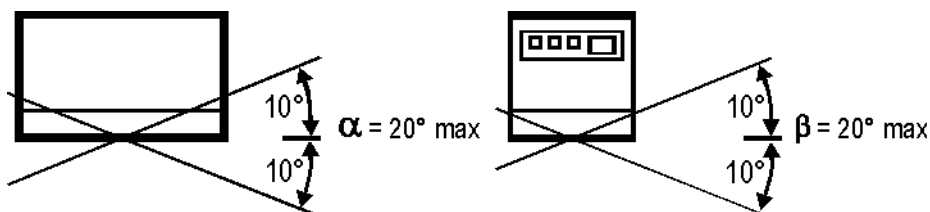


POSITION

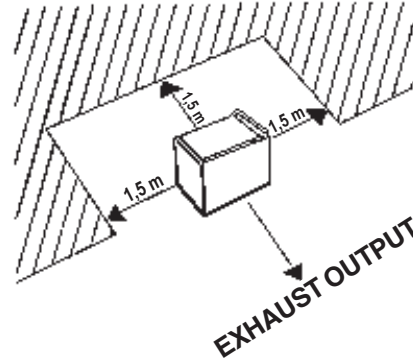
Place the machine on a level surface at a distance of at least 1,5 m from buildings or other plants.



Maximum leaning of the machine (in case of dislevel)



Check that the air gets changed completely and the hot air sent out does not come back inside the set so as to cause a dangerous increase of the temperature.



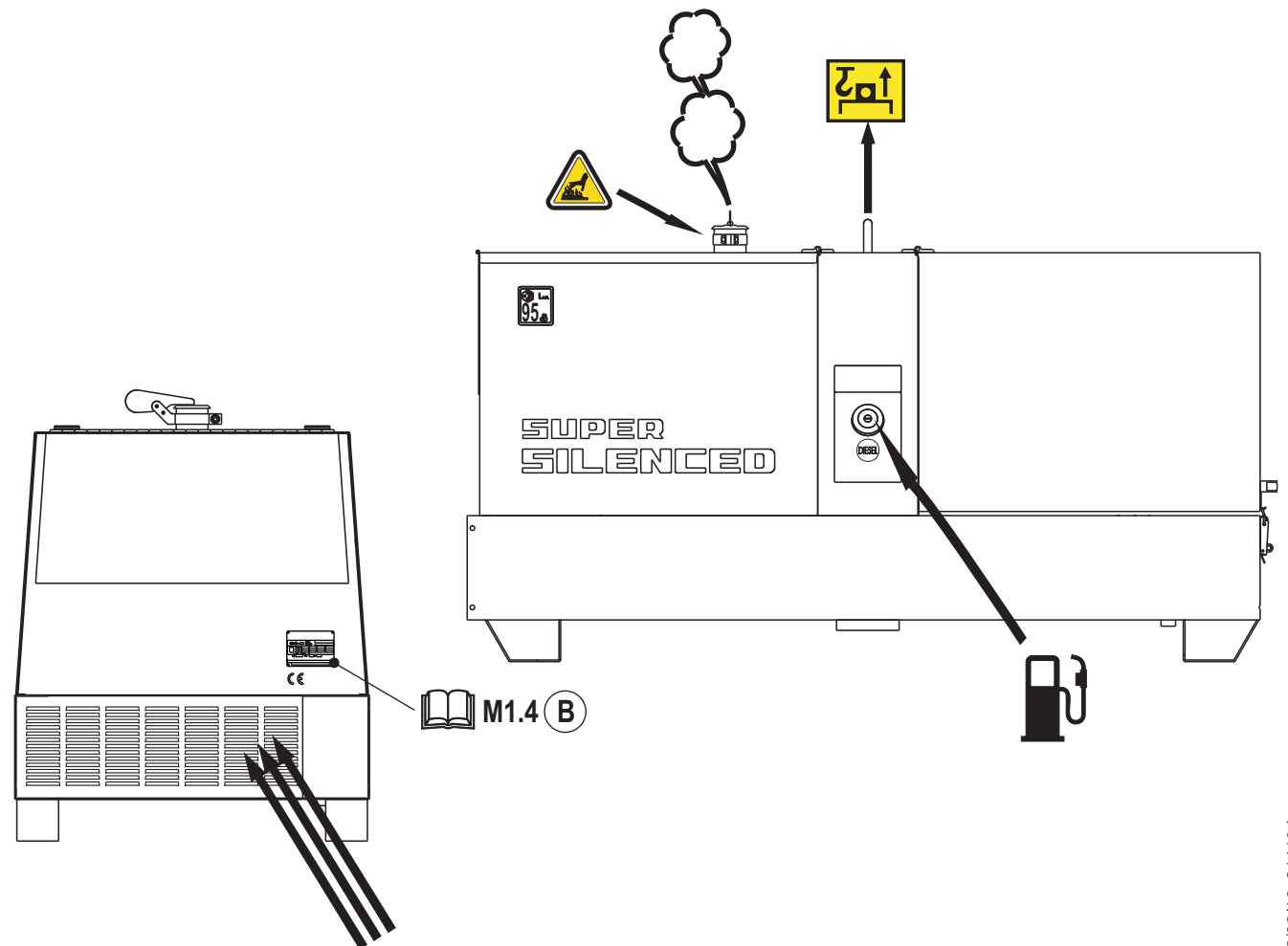
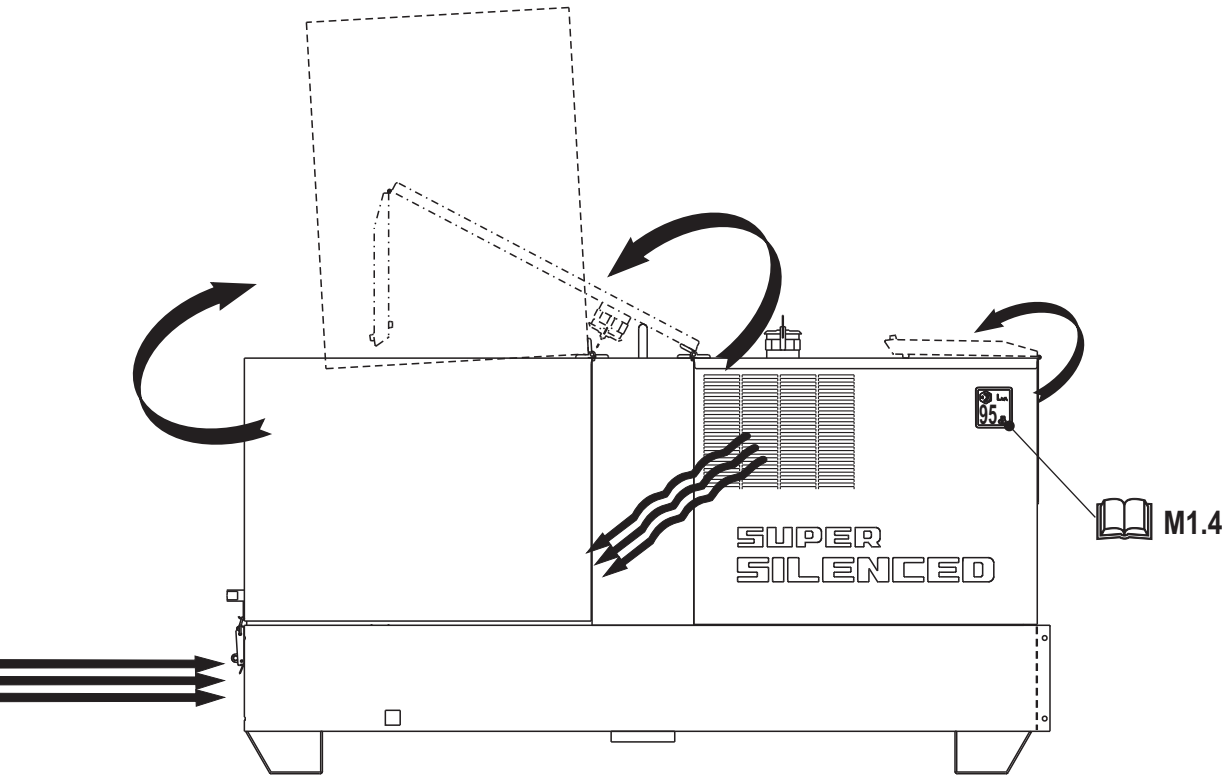
☞ Make sure that the machine does not move during the work: **block** it possibly with tools and/or devices made to this purpose.

MOVES OF THE MACHINE

☞ At any move check that the engine is **off**, that there are no connections with cables which impede the moves.

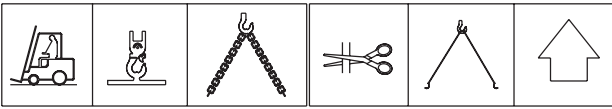
PLACE OF THE MACHINE

	ATTENTION
	For a safer use from the operator DO NOT fit the machine in locations with high risk of flood.
	Please do not use the machine in weather conditions which are beyond IP protection shown both in the data plate and on page named "technical data" in this same manual.





NOTE



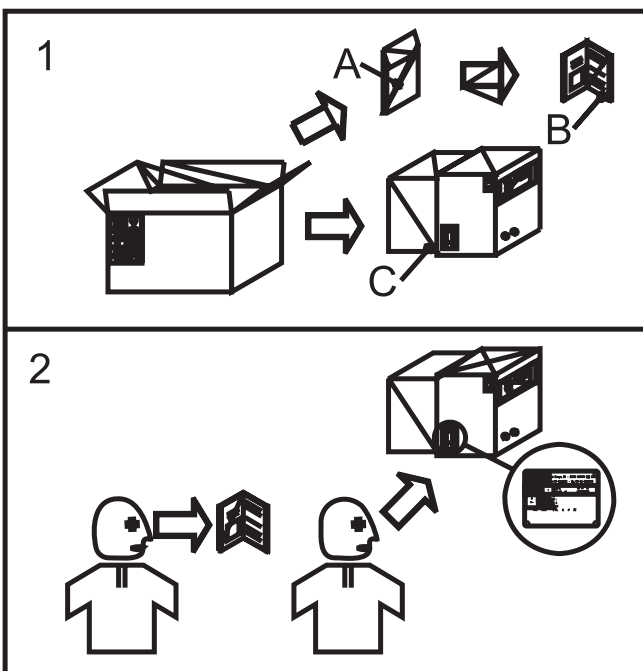
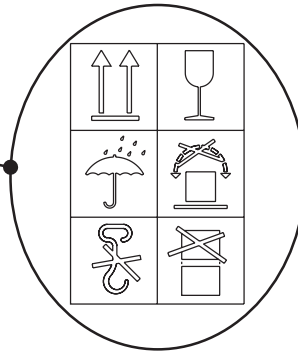
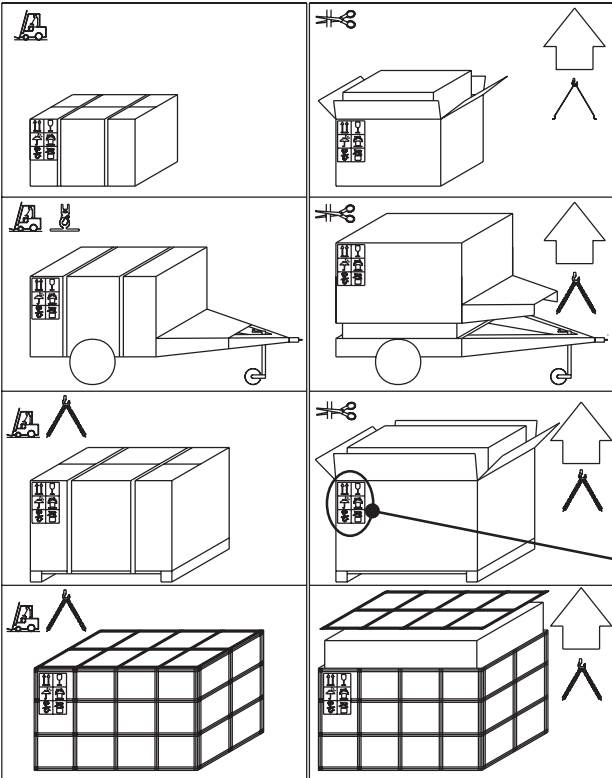
Be sure that the lifting devices are: correctly mounted, adequate for the weight of the machine with its packaging, and conforms to local rules and regulations.

When receiving the goods make sure that the product has not suffered damage during the transport, that there has not been rough handling or taking away of parts contained inside the packing or in the set.

In case you find damages, rough handling or absence of parts (envelopes, manuals, etc.), we advise you to inform immediately our Technical Service.



For eliminating the packing materials, the User must keep to the norms in force in his country.



- 1) Take the machine (C) out of the shipment packing. Take out of the envelope (A) the user's manual (B).
- 2) Read: the user's manual (B), the plates fixed on the machine, the data plate.





NOTE

In case you should transport or move the machine, keep to the instructions as per the figures. Make the transportation when the machine has **no** petrol in its tank, **no** oil in the engine and and electrolyte in the battery.

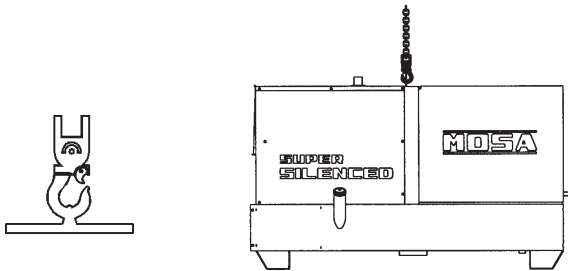
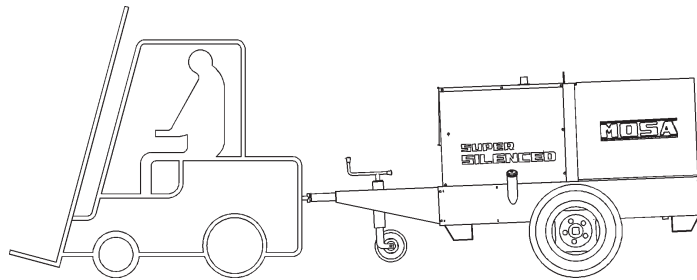
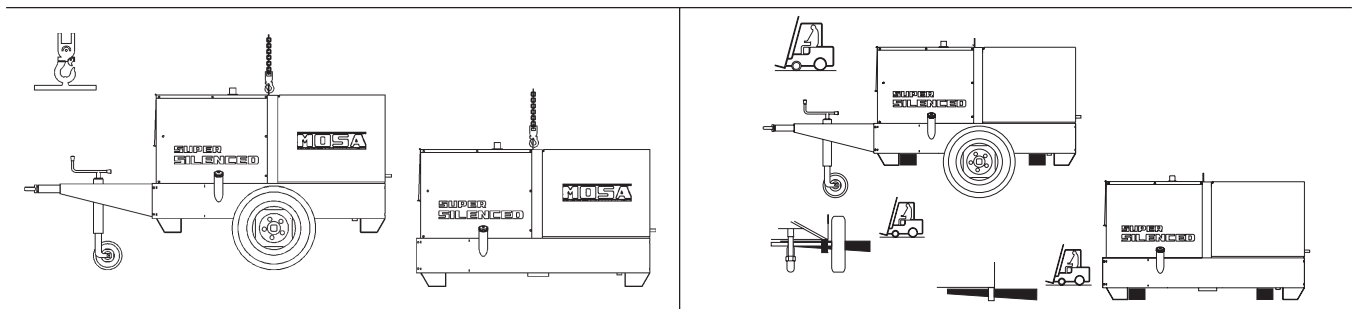
Be sure that the lifting devices are: correctly mounted, adequate for the weight of the machine with it's packaging, and conform to local rules and regulations.

Only authorized persons involved in the transport of the machine should be in the area of movement.

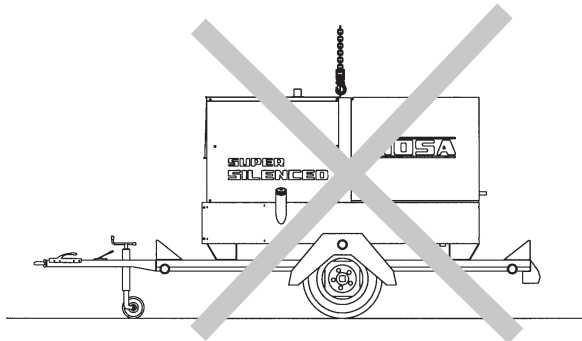
DO NOT LOAD OTHER PARTS WHICH CAN MODIFY WEIGHT AND BARICENTER POSITION.

IT IS STRICTLY FORBIDDEN TO DRAG THE MACHINE MANUALLY OR TOW IT BY ANY VEHICLE (model with no CTL accessory).

If you did not keep to the instructions, you could damage the structure of the machine.



LIFT ONLY THE MACHINE



DO NOT LIFT THE MACHINE AND TRAILER



DANGER: LIFTING EYE IS NOT DESIGNED TO SUPPORT ADDED WEIGHT OF ROAD TOW TRAILER





ATTENTION

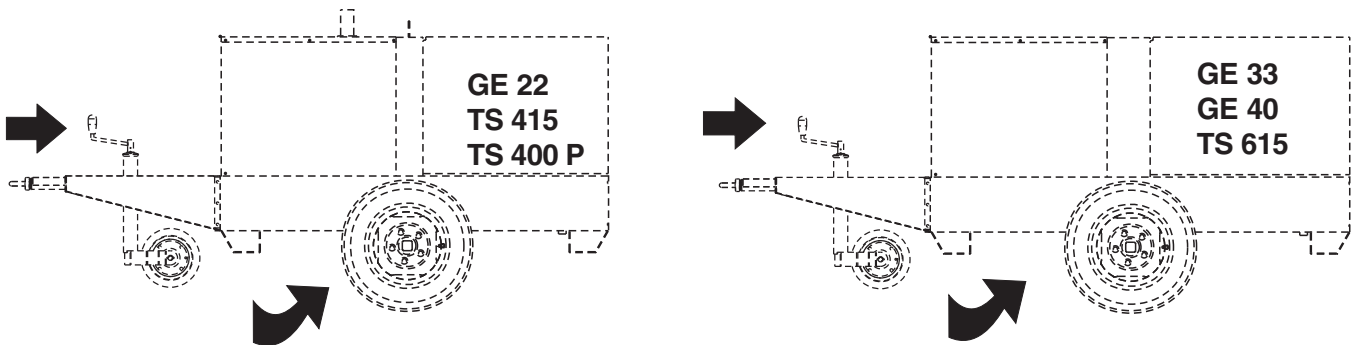
The accessory CTL cannot be removed from the machine and used separately (actioned manually or following vehicles) for the transport of loads or anyway for used different from the machine movements.

TRAILERS

The machines provided for assembling the accessory (slow towing trolley) can be towed up to a **maximum** speed of **40 Kms/hour** on asphalted surfaces.

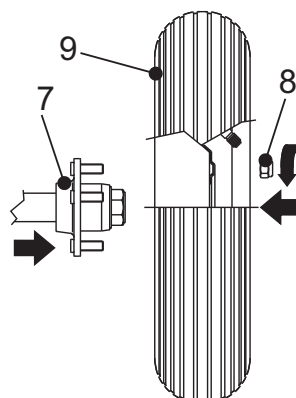
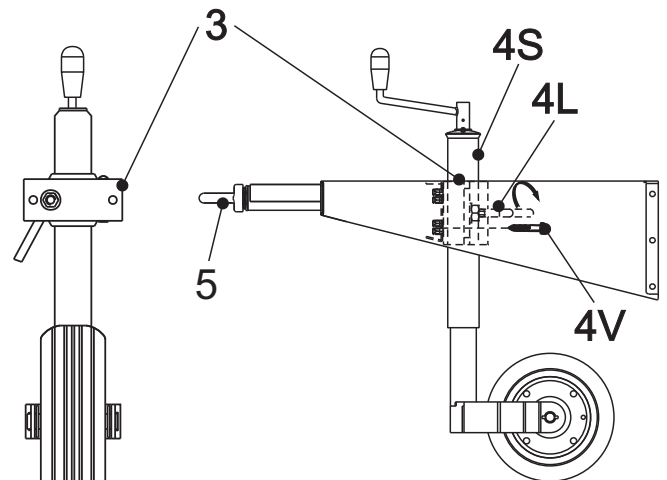
Towing on public roads or turnpikes of any type **IS EXCLUDED**, because **not** in possession of the requirements by national and foreign traffic norms.

Nota: Lift the machine and assemble the parts as shown in the drawing



To assemble the generating set on the trolley CTL 22 please keep to following instructions:

- 1) - Lift the generating set (by means of a suitable hook).
- 2) - Slightly fix the jaw (3) of the parking foot to the bar with the screws (4V), the nuts and the washers and tighten all parts
- 3) - Open the jaw so as to let the foot sprag (4S) go through
- 4) - Introduce into the jaw (3) the upper part (4S) of the foot and block momentarily with the lever (4L) the whole foot.
- 6) - Assemble on the machine the towbar (5) complete of foot with the screws, nuts and washers.
- 7) - Assemble the axle (7) to the base of the machine with the screws and relative washers (two per part) so that their supports coincide.
- 8) - Insert the wheel (9) on the axle then screw the self blocking nuts (8).
- 9) - Pump the tyre (9) fixing the pressure to four atms.
- 10) - Lower the machine to the ground and place the parking foot definitively (regulating at the suitable height).



ATTENTION

Do not substitute the original tires with other types.





BATTERY WITHOUT MAINTENANCE



Connect the cable + (positive) to the pole + (positive) of the battery (after having taken away the protection), by properly tightening the clamp.

Check the state of the battery from the colour of the warning light which is in the upper part.

- Green colour: battery OK
- Black colour: battery to be recharged
- White colour: battery to be replaced

DO NOT OPEN THE BATTERY.



LUBRICANT

RECOMMENDED OIL

MOSA recommends selecting **AGIP** engine oil. Refer to the label on the motor for the recommended products.

PRODOTTI RACCOMANDATI RECOMMENDED PRODUCTS	
AGIP SUPERDIESEL 15W/40 API CF4-SG	OLIO MOTORE DIESEL DIESEL ENGINE OIL
AGIP SUPERMOTOROIL 20W/50 API CC-SF	OLIO MOTORE BENZINA GASOLINE ENGINE OIL
AGIP ANTIFREEZE EXTRA INIBITE ETHYLENE GLYCOL (50% + 50% H ₂ O)	CIRCUITO DI RAFFREDDAMENTO COOLING CIRCUIT (CUNA NC 956-16 ED 97)

Please refer to the motor operating manual for the recommended viscosity.

REFUELLING AND CONTROL:

Carry out refuelling and controls with motor at level position.

1. Remove the oil-fill tap (24)
2. Pour oil and replace the tap
3. Check the oil level using the dipstick (23); the oil level must be comprised between the minimum and maximum indicators.



ATTENTION

It is dangerous to fill the motor with too much oil, as its combustion can provoke a sudden increase in rotation speed.



DRY AIR FILTER

Check that the dry air filter is correctly installed and that there are no leaks around the filter which could lead to infiltrations of non-filtered air to the inside of the motor.



OIL BATH AIR FILTER

Fill the air filter using the same engine oil up to the level indicated on the filter.



FUEL



ATTENTION



Do not smoke or use open flames during refuelling operations, in order to avoid explosions or fire hazards.

Fuel fumes are highly toxic; carry out operations outdoors only, or in a well-ventilated environment.



Avoid accidentally spilling fuel. Clean any eventual leaks before starting up motor.

Refill the tank with good quality diesel fuel, such as automobile type diesel fuel, for example.

For further details on the type of diesel fuel to use, see the motor operating manual supplied.

Do not fill the tank completely; leave a space of approx. 10 mm between the fuel level and the wall of the tank to allow for expansion.

In rigid environmental temperature conditions, use special winterized diesel fuels or specific additives in order to avoid the formation of paraffin.



GROUNDING CONNECTION

The grounding connection to an earthed installation **is obligatory** for all models equipped with a differential switch (circuit breaker). In these groups the generator star point is generally connected to the machine's earthing; by employing the TN or TT distribution system, the differential switch guarantees protection against indirect contacts.

In the case of powering complex installations requiring or employing additional electrical protection devices, the coordination between the protection devices must be verified.

For the grounding connection, use the terminal (12); comply to local and/or current regulations in force for electrical installations and safety.





Check daily



NOTE

Do not alter the primary conditions of regulation and do not touch the sealed parts.

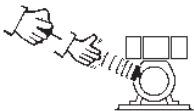
ENGINES WITH MANUAL RECOIL



Hold the starting handle firmly.



Pull the rope hard and fast. Pull it all the way out. Use two hands if necessary.

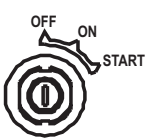


Then returning it slowly.

ENGINES WITH ACCELERATOR LEVER

Make sure that the accelerator lever or the switch (16) is at its minimum setting.

Insert the electric protection device (D-Z2-N2) lever towards above and, where mounted, check the isolation monitor (A3) see page M37 –



Introduce the key (Q1), turn it clockwise completely, leaving it as soon as the engine starts and/or the push button (32) (models without key) leaving it as soon as the engine starts.

NB.: for safety reason the key must be kept by qualified personnel.

Once the engine has started leave it running at a reduced speed for some minutes.

Accelerate the engine at max., set lever on maximum position and then take up load.

ENGINES WITHOUT ACCELERATOR LEVER

Insert the electric protection device (D-Z2-N2) lever towards above and, where mounted, check the isolation monitor (A3) see page M37 –



Introduce the key (Q1), turn it clockwise completely, leaving it as soon as the engine starts.

NB.: for safety reason the key must be kept by qualified personnel.

Let the engine run for some minutes before drawing the load.

Open the fuel cock (where it is assembled).



CAUTION

RUNNING-IN

During the first 50 hours of operation, do not use more than 60% of the maximum output power of the unit and check the oil level frequently, in any case please stick to the rules given in the engine use manual.



NOTE

The machines with E.P. 1 engine protection device (D1), use the accelerator lever ONLY IN EMERGENCY when the engine protection does not work. In this case turn immediately to our Authorized Assistance Centers.

**ENGINE WITH PREHEATING GLOW PLUGS**

Turn the starter key (Q1) on the position „preheating glow plugs“ (the glow plugs light will be on I4), when the light is off, turn the starter key completely clockwise until the engine begins to fire.

Let the engine run for some minutes before drawing the load.

ENGINES WITH R.P.M. ELECTRONIC ADJUSTER (ONLY FOR GENERATING SET)

Turn the starter key (Q1) completely clockwise until the engine begins to fire.

☞ Wait for the AUTOMATIC preheating time before drawing the load

OCCASIONAL USE OF THE ENGINE

Using the engine in special conditions which need an immediate intervention, such as emergency plants, etc., use advise to use our Engine Assistance Centres for specific interventions or our Technical Assistance Service.

**CAUTION**

If the engine fails to start, do not insist for at least 15 seconds.

Space the further operations waiting for at least 4 minutes.

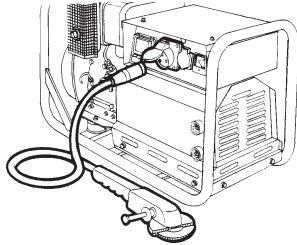
**CAUTION****MACHINE WITH EMERGENCY BUTTON**

Before starting the engine, make sure that the emergency button (32B) is off (turn the button clockwise for this operation)

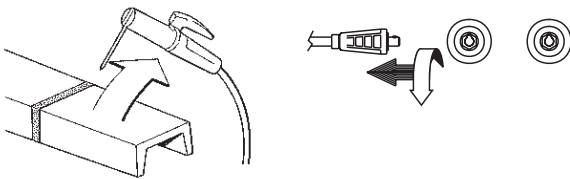
**CAUTION****RUNNING-IN**

During the first 50 hours of operation, do not use more than 60% of the maximum output power of the unit and check the oil level frequently, please follow the instructions on the engine use and maintenance manual..

☞ Before stopping the engine **it is compulsory** to effect the following operations:
- stop to draw three/single-phase current from the auxiliary sockets.



- stop to draw power from the welding sockets (only for TS models).



ENGINES WITH ACCELERATOR LEVER

☞ Make sure that the unit is not supplying any power.

Disconnect the electrical protection device (D-Z2-N2) lever downward.

Set the accelerator lever or the switch (16) to minimum position and wait for a few minutes to allow the engine to cool, anyway follow the instructions contained in the engine manual.

Pull the stop lever (28) until the engine stops (where it is assembled).



Remove the key (Q1) turning it counter clockwise, OFF position, then take it out.

☞ **NB.:**for safety reason the key must be kept by qualified personnel.

ENGINES WITHOUT ACCELERATOR LEVER

Make sure that the unit is not supplying any power.

Disconnect the electrical protection device (D-Z2-N2) lever downward.

Let the engine idle for a few minutes.

Press the pushbutton (F3) until the engine stops

(where it is assembled).

Shut the fuel cock (where it is assembled).



Remove the key (Q1) turning it counter clockwise, OFF position, then take it out.

☞ **NB.:** for safety reason the key must be kept by qualified personnel.

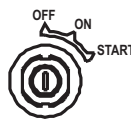
ENGINES WITH R.P.M. ELECTRONIC ADJUSTER (ONLY FOR GENERATING SET)

Make sure that the unit is not supplying any power.

Disconnect the electrical protection device (D-Z2-N2) lever downward.

Let the engine idle for a few minutes.

Press the pushbutton (F3) until the engine stops (where it is assembled).



Remove the key (Q1) turning it counter clockwise, OFF position, then take it out.

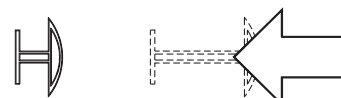
☞ **NB.:** for safety reason the key must be kept by qualified personnel.



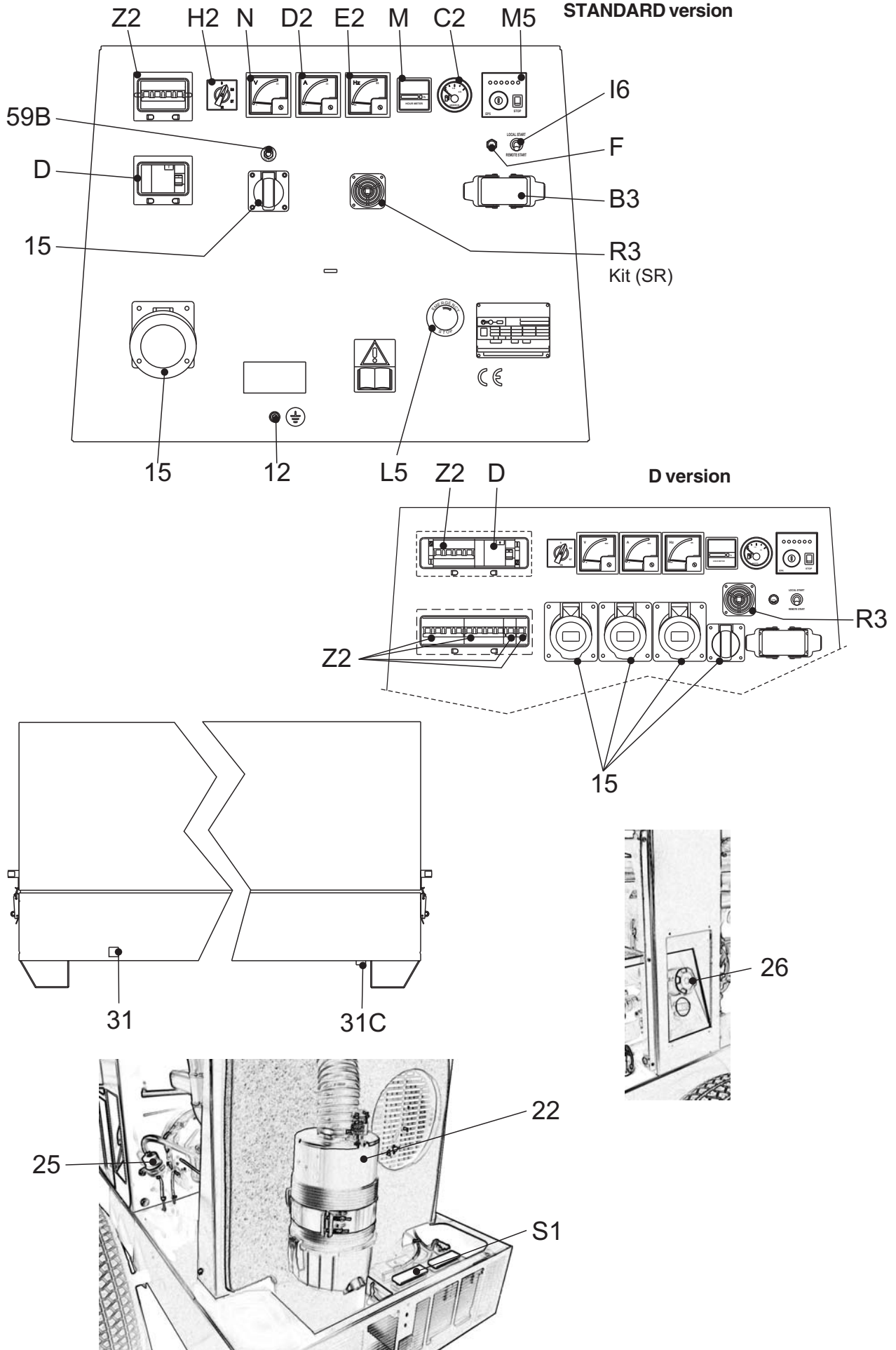
CAUTION

MACHINE WITH EMERGENCY BUTTON

Pressing it, it allows to stop the engine in any condition (32B) (when assembled).
To re-establish it, see page M21...



4A	Hydraulic oil level light	A4	Button indicating light 30 I/1' PTO HI	W5	Battery voltmeter
9	Welding socket (+)	B2	Engine control unit EP2	X1	Remote control socket
10	Welding socket (-)	B3	E.A.S. connector	Y3	Button indicating light 20 I/1' PTO HI
12	Earth terminal	B4	Exclusion indicating light PTO HI	Y5	Commutator/switch, serial/parallel
15	A.C. socket	B5	Auxiliary current push button	Z2	Thermal-magnetic circuit breaker
16	Accelerator lever	C2	Fuel level light	Z3	Selection push button 20 I/1' PTO HI
17	Feed pump	C3	E.A.S. PCB	Z5	Water temperature indicator
19	48V D.C. socket	C6	Control unit for generating sets QEA		
22	Engine air filter	D	Ground fault interrupter (30 mA)		
23	Oil level dipstick	D1	Engine control unit and economiser EP1		
24	Engine oil reservoir cap	D2	Ammeter		
24A	Hydraulic oil reservoir cap	E2	Frequency meter		
24B	Water filling cap	F	Fuse		
25	Fuel prefilter	F3	Stop switch		
26	Fuel tank cap	F5	Warning light, high temperature		
27	Muffler	F6	Arc-Force selector		
28	Stop control	G1	Fuel level transmitter		
29	Engine protection cover	H2	Voltage commutator		
30	Engine cooling/alternator fan belt	H6	Fuel electro pump		
31	Oil drain tap	H8	Engine control unit EP7		
31A	Hydraulic oil drain tap	I2	48V A.C. socket		
31B	Water drain tap	I3	Welding scale switch		
31C	Exhaust tap for tank fuel	I4	Preheating indicator		
32	Button	I5	Y/▲ switch		
33	Start button	I6	Start Local/Remote selector		
34	Booster socket 12V	I8	AUTOIDLE switch		
34A	Booster socket 24V	L	A.C. output indicator		
35	Battery charge fuse	L5	Emergency button		
36	Space for remote control	L6	Choke button		
37	Remote control	M	Hour counter		
42	Space for E.A.S.	M1	Warning level light		
42A	Space for PAC	M2	Contactora		
47	Fuel pump	M5	Engine control unit EP5		
49	Electric start socket	M6	CC/CV switch		
54	Reset button PTO HI	N	Voltmeter		
55	Quick coupling m. PTO HI	N1	Battery charge warning light		
55A	Quick coupling f. PTO HI	N2	Thermal-magnetic circuit breaker/ Ground fault interrupter		
56	Hydraulic oil filter		Pre-heat push-button		
59	Battery charger thermal switch	N5	Connector - wire feeder		
59A	Engine thermal switch	O1	Oil pressure warning light/Oil alert		
59B	Aux current thermal switch	P	Welding arc regulator		
59C	Supply thermal switch wire feeder- 42V	Q1	Starter key		
59D	Pre-heater (spark plug) thermal switch	Q3	Derivation box		
59E	Supply thermal switch oil/water heater	Q4	Battery charge sockets		
		Q7	Welding selector mode		
59F	Electropump thermal switch	R3	Siren		
63	No load voltage control	S	Welding ammeter		
66	Choke control	S1	Battery		
67A	Auxiliary / welding current control	S3	Engine control unit EP4		
68	Cellulosic electrodes control	S6	Wire feeder supply switch		
69A	Voltmeter relay	S7	Plug 230V singlephase		
70	Warning lights	T	Welding current regulator		
71	Selecting knob	T4	Dirty air filter warning light/indicator		
72	Load commut. push button	T5	Earth leakage relay		
73	Starting push button	T7	Analogic instrument V/Hz		
74	Operating mode selector	U	Current transformer		
75	Power on warning light	U3	R.P.M. adjuster		
76	Display	U4	Polarity inverter remote control		
79	Wire connection unit	U5	Release coil		
86	Selector	U7	Engine control unit EP6		
86A	Setting confirmation	V	Welding voltage voltmeter		
87	Fuel valve	V4	Polarity inverter control		
88	Oil syringe	V5	Oil pressure indicator		
A3	Insulation monitoring	W1	Remote control switch		
		W3	Selection push button 30 I/1' PTO HI		





WARNING

It is absolutely forbidden to connect the unit to the public mains and/or another electrical power source .



Access forbidden to area adjacent to electricity-generating group for all non-authorized personnel.

The electricity-generating groups are to be considered electrical energy producing stations.

The dangers of electrical energy must be considered together with those related to the presence of chemical substances (fuels, oils, etc.), rotating parts and waste products (fumes, discharge gases, heat, etc.).

GENERATION IN AC (ALTERNATING CURRENT)

Before each work session check the efficiency of the ground connection for the electricity-generating group if the distribution system adopted requires it, such as, for example, the TT and TN systems.

Check that the electrical specifications for the units to be powered - voltage, power, frequency - are compatible with those of the generator. Values that are too high or too low for voltage and frequency can damage electrical equipment irreparably.

In some cases, for the powering of three-phase loads, it is necessary to ensure that the cyclic direction of the phases corresponds to the installation's requirements.

Connect the electric devices to be powered to the AC sockets, using suitable plugs and cables in prime condition.

Before starting up the group, make certain no dangerous situations exist on the installation to be powered.

Check that the thermal-magnetic switch (Z2) is in the OFF position (input lever in downward position).

Start up the electricity-generating group, positioning the thermal-magnetic switch (Z2) and differential switch (D) to ON (input lever in upward position).

Before powering on the utilities, check that the voltmeter (N) and frequency meter (E2) indicate nominal values; in addition, check on the voltmeter change-over switch (H2) (where it is assembled) that the three line voltages are the same.

In the absence of a load, the values for voltage and frequency can be greater than their nominal values. See sections on VOLTAGE and FREQUENCY.

OPERATING CONDITIONS

POWER

The electrical power expressed in kVA on an electricity-generating group is the available output power to the reference environmental conditions and nominal values for: voltage, frequency, power factors (cos φ).

There are various types of power: PRIME POWER (PRP), STAND-BY POWER established by ISO 8528-1 and 3046/1 Norms, and their definitions are listed in the manual's TECHNICAL SPECIFICATIONS page.

During the use of the electricity-generating group **NEVER EXCEED** the power indications, paying careful attention when several loads are powered simultaneously.

VOLTAGE

GENERATORS WITH COMPOUND SETTING.

In these types of generators, the no-load voltage is generally greater than 3–5% with respect to its nominal value; f.e. for nominal voltage, threephase 400Vac or singlephase 230Vac, the no-load voltage can be comprised between 410-420V (threephase) and 235-245V (singlephase). The precision of the load voltage is maintained within ±5% with balanced loads and with a rotation speed variation of 4%. Particularly, with resistive loads (cos φ = 1), a voltage over-elevation occurs which, with the machine cold and at full load, can even attain +10 %, a value which in any case is halved after the first 10-15 minutes of operation.

The insertion and release of the full load, under constant rotation speed, provokes a transitory voltage variation that is less than 10%; the voltage returns to its nominal value within 0.1 seconds.

GENERATORS WITH ELECTRONIC SETTING (A.V.R.).

In these types of generators, the voltage precision is maintained within ±1,5%, with speed variations comprised from -10% to +30%, and with balanced loads. The voltage is the same both with no-load and with load; the insertion and release of the full load provokes a transitory voltage variation that is less than 15%; the voltage returns to its nominal value within 0.2–0.3 seconds.

FREQUENCY

The frequency is a parameter that is directly dependent on the motor's rotation speed. Depending on the type of alternator, 2 or 4 pole, we will have a frequency of 50/60 Hz with a rotation speed of 3000/3600 or 1500/1800 revolutions per minute.

The frequency, and therefore the number of motor revolutions, is maintained constant by the motor's speed regulation system.

Generally, this regulator is of a mechanical type and presents a droop from no-load to nominal load which is less than 5 % (static or droop), while under static conditions precision is maintained within ±1%. Therefore, for generators at 50Hz the no-load frequency can be 52–52.5 Hz, while for generators at 60Hz the no-load frequency can be 62.5-63Hz.



In some motors or for special requirements the speed regulator is electronic; in these cases, precision under static operating conditions attains $\pm 0.25\%$, and the frequency is maintained constant in operation from no-load to load (isochronal operation).

POWER FACTOR - COS ϕ

The power factor is a value which depends on the load's electrical specifications; it indicates the ratio between the Active Power (kW) and Apparent Power (kVA). The apparent power is the total power necessary for the load, achieved from the sum of the active power supplied by the motor (after the alternator has transformed the mechanical power into electrical power), and the Reactive Power (kVAR) supplied by the alternator. The nominal value for the power factor is $\cos \phi = 0,8$; for different values comprised between 0.8 and 1 it is important during usage not to exceed the declared active power (kW), so as to not overload the electricity-generating group motor; the apparent power (kVA) will diminish proportionally to the increase of $\cos \phi$.

For $\cos \phi$ values of less than 0.8 the alternator must be downgraded, since at equal apparent power the alternator should supply a greater reactive power. For reduction coefficients, contact the Technical Service Department.

START-UP OF ASYNCHRONOUS MOTORS

The start-up of asynchronous motors from an electricity-generating group can prove critical because of high start-up currents the asynchronous motor requires (I start-up = up to 8 times the nominal current I_n). The start-up current must not exceed the alternator's admissible overload current for brief periods, generally in the order of 250–300% for 10–15 seconds.

To avoid a group oversize, we recommend following these precautionary measures:

- in the case of a start-up of several motors, subdivide the motors into groups and set up their start-up at intervals of 30–60 seconds.
- when the operating machine coupled to the motor allows it, see to a start-up with reduced voltage, star point/triangle start-up or with autotransformer, or use a soft-start system.

In all cases, when the user circuit requires the start-up of an asynchronous motor, it is necessary to check that there are no utilities inserted into the installation, which in the case of a voltage droop can cause more or less serious disservices (opening of contact points, temporary lack of power to control and command systems, etc.).

SINGLE-PHASE LOADS

Power to monophasic utilities by means of three-phase generators requires some operating limitations.

- In single-phase operation, the declared voltage tolerance can no longer be maintained by the regulator (compound or electronic regulator), since the system becomes highly unbalanced. **The voltage variation on the phases not affected by the power can prove dangerous; we recommend sectioning the other loads eventually connected.**

- The maximum power which can be drawn between Neutral and Phase (start connection) is generally 1/3 of the nominal three-phase power; some types of alternators even allow for 40%. Between two Phases (triangle connection) the maximum power cannot exceed 2/3 of the declared three-phase power.
- In electricity-generating groups equipped with monophasic sockets, use these sockets for connecting the loads. In other cases, always use the "R" phase and Neutral.

ELECTRIC PROTECTIONS

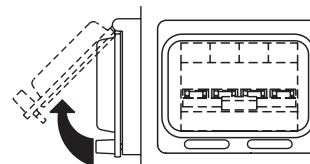
THERMAL-MAGNETIC SWITCH

The electricity-generating group is protected against short-circuits and against overloads by a thermal-magnetic switch (Z2) situated upstream from the installation. Operating currents, both thermic and magnetic, can be fixed or adjustable in relation to the switch model.

In models with adjustable operating current **do not modify** the settings, since doing so can compromise the installation's protection or the electricity-generating group's output characteristics. For eventual variations, contact our Technical Service Department.

The intervention of the protection feature against overloads is not instantaneous, but follows a current overload/time outline; the greater the overload the less the intervention.

Furthermore, keep in mind that the nominal operating current refers to an operating temperature of 30°C, so that each variation of 10°C roughly corresponds to a variation of 5% on the value of nominal current.

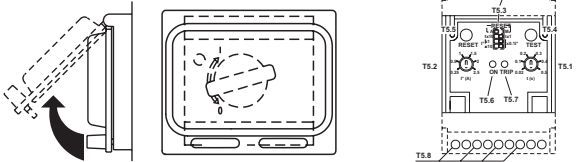


In case of an intervention on the part of the thermal magnetic protection device, check that the total absorption does not exceed the electricity-generating group's nominal current.



DIFFERENTIAL SWITCH

The differential switch or differential relay guarantee protection against indirect contacts due to malfunction currents towards the ground. When the device detects a malfunction current that is higher than the nominal current or the set current, it intervenes by cutting off



power to the circuit connected.

In the case of an intervention by the differential switch, check that there are no sheathing defects in the installation: connection cables, sockets and plugs, utilities connected.

Before each work session, check the operation of the differential protection device by pressing the test key. The electricity-generating group must be in operation, and the lever on the differential switch must be in the ON position.

THERMIC PROTECTION

Generally present to protect against overloads on an individual power socket c.a.

When the nominal operating current has been exceeded, the protection device intervenes by cutting off power to the socket.

The intervention of the protection device against overloads is not instantaneous, but follows a current overload/time outline; the greater the overload the less the intervention.

In case of an intervention, check that the current absorbed by the load does not exceed the protection's nominal operating current.

Allow the protection to cool off for a few minutes before resetting by pressing the central pole.



USAGE WITH EAS AUTOMATIC START-UP PANEL

The electricity-generating group in combination with the EAS automatic start-up panel forms a unit for distributing electrical energy within a few seconds of a power failure from the commercial electrical power line.

Below is some general operating information; refer to the automatic panel's specific manual for details on installation, command, control and signalling operations.

- Perform connections on the installation in safety conditions. Position the automatic panel in RESET or LOCKED mode.
- Carry out the first start-up in MANUAL mode. Check that the generator's LOCAL START / REMOTE START switch (I6) is in the REMOTE position. Check that the generator switches are enabled (input lever in upward position).

Position the EAS panel in manual mode by pressing MAN. key, and only after having checked that there are no dangerous situations, press the START key to start the electricity-generating group.

- During the operation of the generator, all controls and signals from both the automatic panel and group are enabled; it is therefore possible to control its operation from both positions.

In case of an alarm with a shutdown of the motor (low pressure, high temperature, etc.), the automatic panel will indicate the malfunction that has caused the stoppage, while the generator's front panel will be disabled and will no longer supply any information.

ATTENTION

Do not keep the central pole on the thermic protection forcefully pressed to prevent its intervention.





MAKE SURE

- When the TCM 22-40 is used, it is not possible to connect the E.A.S automatic intervention unit.
- The selector LOCAL START/REMOTE START (I6) of the generating set must be switched on REMOTE START.

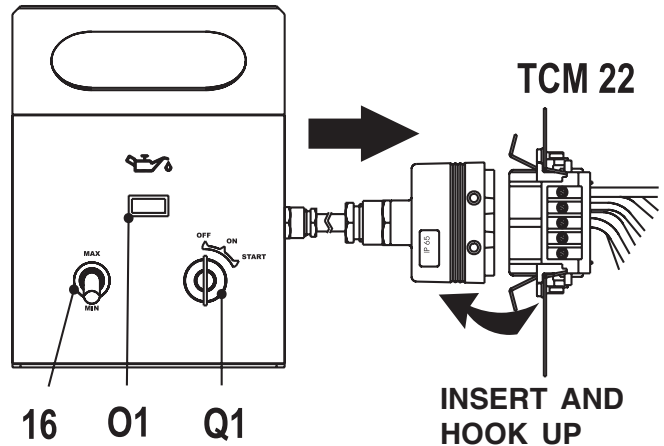
USE OF THE REMOTE CONTROL TCM 22

The coupling of the TCM 22 with the generating set, ready for remot starting, permits to work far from the set itself.
The remote control is connected to the front plate, and/or rear plate, with a multiple connector.

The TCM 22 assures the following functions:

- starting (starting key Q1)
- acceleration (selector 16)
- stop (starting key Q1)
- indication of oil low pressure (warning light O1)

To stop the set, move the accelerator lever (16) to the minimum position, then turn the key to "OFF" position.



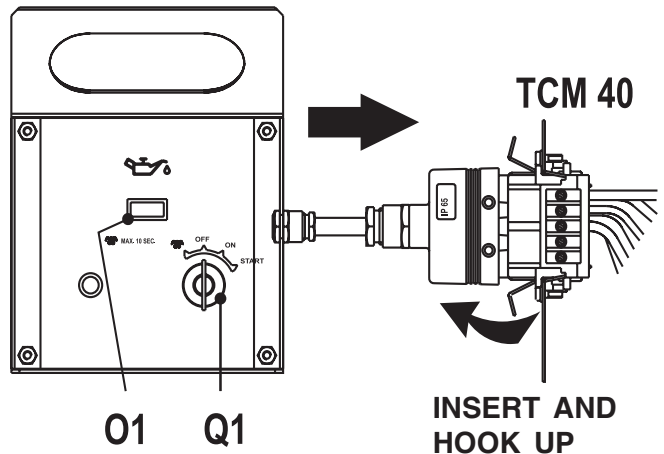
USE OF THE REMOTE CONTROL TCM 40

The coupling of the TCM 40 with the generating set, ready for remot starting, permits to work far from the set itself.
The remote control is connected to the front plate, and/or rear plate, with a multiple connector.

The TCM 40 assures the following functions:

- Preheat (starting key Q1). Use only for the models that need such function:
- starting (starting key Q1)
- stop (starting key Q1)
- indication of oil low pressure (warning light O1)

To stop the set turn the key to the position. "OFF".



The electronic device EP 5 (M5) ensures the protection of the engine in case of:

- low oil pressure
- engine high temperature
- battery charge
- fuel stock
- overspeed

Located on the front panel of the machine, the EP 5 device enters in operation turning on the ignition key **b)** - device inserted - and will signal it is working through the warning light M5.6 .

The feeding is visualized by winking light and the activation by fixed light.

In the lapse of time between the two lights (winking and fixed) , the device will carry out a "**self control**" cycle.

To start the machine, bring the ignition key to position **c)** (starting).

IGNITION KEY

The ignition key has three operation positions:

- a) device not inserted (OFF)
- b) device inserted
- c) starting with automatic return

STOP BUTTON

It allows to stop the engine in any condition.

Push the button until the engine stops.

OVERSPEED (M5.3)

It signals the intervention of the overspeed device connected to the alternator frequency at 50 as well as at 60 Hz .

The optical and acoustic signal is activated, and the engine **stopped**.

HIGH TEMPERATURE (M5.4)

It signals, through the temperature sensors, a high temperature anomaly.

The optical and acoustic signal is activated, and the engine **stopped**.

Check: the air duct (there must be no obstruction), the cooling liquid (if engine is water-cooled), the oil level, etc....

LOW OIL PRESSURE (M5.5)

It signals, through the pressure sensors, a low oil pressure anomaly.

The optical and acoustic signal is activated, and the engine **stopped**.

Check the oil level and, if it is correct, call the Assistance Service.

FUEL STOCK (M5.1)

It signals the fuel state, inside the tank, running out, acoustically with the siren and optically, **without** stopping the engine (the signal lasts until the cause is eliminated).

BATTERY CHARGE (M5.2)

It signals the failed excitation of the battery charge generator and therefore the battery recharging.

The visual signal will last **without** stopping the engine, until the cause is eliminated.

FEEDING (M5.6)

The signal point out that the device is working.

N.B.: if the unit is used in hot climates and whit loads near to the maximum, the protection can be triggered off, please **reduce** the load of the engine.

In case of intervention of the device, after having removed the cause of the problem, it is sufficient to bring back the ignition key to the position "OFF - device not inserted", them start again the new work cycle.

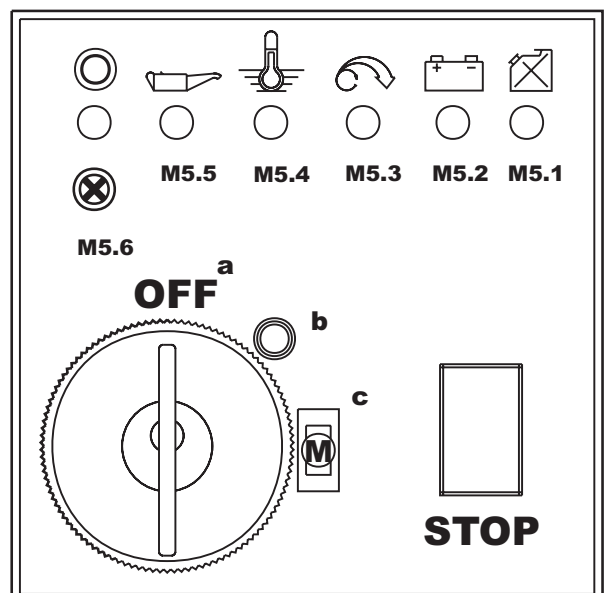
NOTE

THE ENGINE PROTECTIONS OF THE "EP" TYPE DO NOT WORK WHEN OIL IS OF LOW QUALITY BECAUSE NOT CHANGED REGULARLY AT INTERVALS AS PRESCRIBED IN THE OWNER'S ENGINE MANUAL.

- M5.1(G) Fuel stok
- M5.2(G) Battery charge
- M5.3(R) Overspeed
- M5.4(R) High temperature
- M5.5(R) Low oil pressure
- M5.6(V) Feeding

COLORS

- G = yellow
- V = green
- R = red



Problem	Possible cause	Solution
ENGINE		
The motor does not start up	1) Start-up switch (I6) (where it is assembled) in incorrect position 2) Emergency button (L5) pressed 3) Preheating (where it is assembled) 4) Engine control unit or starting key faulty. 5) Battery low 6) Battery cable terminals loose or corroded 7) Start-up motor defective 8) No fuel or air in feed circuit 9) Malfunction on feed circuit: defective pump, injector blocked, etc. 10) Air filter or fuel filter clogged 11) Air in the gasoil filter. 12) Motor stopping device defective 13) Malfunction on electrical power circuit on generator control panel	1) Check position 2) Unblock 3) Lacking or insufficient preheating phase for sparkplugs. Malfunction in circuit: repair. 4) Replace 5) Recharge or replace. Check the battery charge circuit on motor and automatic panel. 6) Tighten and clean. Replace if corroded. 7) Repair or replace. 8) Refill tank, un-aerate the circuit. 9) Ask for intervention of Service Department. 10) Clean or replace 11) Take the air out filling the filter with gasoil. 12) Replace. 13) Check and repair.
The motor does not accelerate. Inconstant speed.	1) Air filter or fuel filter clogged. 2) Malfunction on feed circuit: defective pump, injector blocked, etc. 3) Oil level too high. 4) Motor speed regulator defective.	1) Clean or replace. 2) Ask for intervention of Service Department. 3) Eliminate excess oil. 4) Ask for intervention of Service Department
Black smoke	1) Air filter clogged. 2) Overload. 3) Injectors defective. Injection pump requires calibration.	1) Clean or replace 2) Check the load connected and diminish. 3) Ask for intervention of Service Department.
White smoke	1) Oil level too high. 2) Motor cold or in prolonged operation with little or no load. 3) Segments and/or cylinders worn out.	1) Eliminate excess oil. 2) Insert load only with motor sufficiently hot 3) Ask for intervention of Service Department.
Too little power provided by motor.	1) Air filter clogged. 2) Insufficient fuel distribution, impurities or water in feed circuit. 3) Injectors dirty or defective.	1) Clean or replace. 2) Check the feed circuit, clean and refill once again. 3) Ask for intervention of Service Department.
Low oil pressure	1) Oil level insufficient 2) Air filter clogged. 3) Oil pump defective. 4) Alarm malfunction.	1) Reset level. Check for leaks. 2) Replace filter. 3) Ask for intervention of Service Department. 4) Check the sensor and electrical circuit.
High temperature	1) Overload 2) Insufficient ventilation. 3) Insufficient coolant liquid (Only for water cooled motors)	1) Check the load connected and diminish. 2) Check the cooling vent and relative transmission belts 3) Restore level. Check for leaks or breakage in the entire cooling circuit, pipes, couplings, etc.

Problem	Possible cause	Solution
ENGINE		
	4) Water radiator or oil clogged (where it is assembled) 5) Water circulating pump defective (Only for water cooled motors) 6) Injectors defective. Injection pump requires calibration 7) Alarm malfunction	4) Clean cooling fins on radiator 5) Ask for intervention of Service Department 6) Ask for intervention of Service Department 7) Check the sensor and electrical circuit
GENERATOR		
Absence of output voltage	1) Voltage switch in position 0 2) Voltage switch faulty 3) Protection tripped due to overload 4) Differential protection device tripped. (Differential switch, differential relay) 5) Protection devices defective 6) Alternator not sparked 7) Alternator defective	1) Check position 2) Check connections and working of the switch, repair or replace 3) Check the load connected and diminish 4) Check on the entire installation: cables, connections, utilities connected have no defective sheathing which may cause incorrect currents to ground 5) Replace 6) Carry out external spark test as indicated in alternator manual. Ask for intervention of Service Department 7) Check winding, diodes, etc. on alternator (Refer to alternator manual) Repair or replace. Ask for intervention of Service Department
No-load voltage too low or too high	1) Incorrect motor running speed 2) Voltage regulating device (where it is assembled) defective or requires calibration 3) Alternator defective	1) Regulate speed to its nominal no-load value 2) Adjust regulator device as indicated in alternator manual, or replace 3) Check winding, diodes, etc. on alternator (Refer to alternator manual) Repair or replace Ask for intervention of Service Department
Corrected no-load voltage too low with load	1) Incorrect motor running speed due to overload 2) Load with $\cos \varphi$ less than 0.8 3) Alternator defective	1) Check the load connected and diminish 2) Reduce or rephase load 3) Check winding, diodes, etc. on alternator (Refer to alternator manual) Repair or replace Ask for intervention of Service Department
Unstable tension	1) Contacts malfunctioning 2) Irregular rotation of motor 3) Alternator defective	1) Check electrical connections and tighten 2) Ask for intervention of Service Department 3) Check winding, diodes, etc. on alternator (Refer to alternator manual) Repair or replace Ask for intervention of Service Department



WARNING



MOVING PARTS can injure

- Have **qualified** personnel do maintenance and troubleshooting work.
 - Stop the engine before doing any work inside the machine. If for any reason the machine must be operated while working inside, **pay attention** moving parts, hot parts (exhaust manifold and muffler, etc.) electrical parts which may be unprotected when the machine is open.
 - Remove guards only when necessary to perform maintenance, and replace them when the maintenance requiring their removal is complete.
 - Use suitable tools and clothes.
 - Do not modify the components if not authorized.
- See pag. M1.1 -



HOT surface can hurt you

NOTE

By maintenance at care of the utilizer we intend all the operatios concerning the verification of mechanical parts, electrical parts and of the fluids subject to use or consumption during the normal operation of the machine.

For what concerns the fluids we must consider as maintenance even the periodical change and or the refills eventually necessary.

Maintenance operations also include machine cleaning operations when carried out on a periodic basis outside of the normal work cycle.

The repairs **cannot be considered** among the maintenance activities, i.e. the replacement of parts subject to occasional damages and the replacement of electric and mechanic components consumed in normal use, by the Assistance Authorized Center as well as by MOSA.

The replacement of tires (for machines equipped with trolleys) must be considered as repair since it is not delivered as standard equipment any lifting system.

The periodic maintenance should be performed according to the schedule shown in the engine manual. An optional hour counter (M) is available to simplify the determination of the working hours.

ENGINE and ALTERNATOR

PLEASE REFER TO THE SPECIFIC MANUALS PROVIDED.

VENTILATION

Make certain there are no obstructions (rags, leaves or other) in the air inlet and outlet openings on the machine, alternator and motor.

ELECTRICAL PANELS

Check condition of cables and connections daily. Clean periodically using a vacuum cleaner, **DO NOT USE COMPRESSED AIR.**

DECALS AND LABELS

All warning and decals should be checked once a year and **replaced** if missing or unreadable.

STRENUOUS OPERATING CONDITIONS

Under extreme operating conditions (frequent stops and starts, dusty environment, cold weather, extended periods of no load operation, fuel with over 0.5% sulphur content) do maintenance more frequently.

BATTERY WITHOUT MAINTENANCE DO NOT OPEN THE BATTERY

The battery is charged automatically from the battery charger circuit supplied with the engine.

Check the state of the battery from the colour of the warning light which is in the upper part.

- Green colour: battery OK
- Black colour: battery to be recharged
- White colour: battery to be replaced



IMPORTANT



In the maintenance operations avoid that polluting substances, liquids, exhausted oils, etc. bring damage to people or things or can cause negative effects to surroundings, health or safety respecting completely the laws and/ or dispositions in force in the place.



NOTE

THE ENGINE PROTECTION NOT WORK WHEN THE OIL IS OF LOW QUALITY BECAUSE NOT CHARGED REGULARLY AT INTERVALS AS PRESCRIBED IN THE OWNER'S ENGINE MANUAL.






ATTENTION

- Maintenance operations on the electricity-generating group prearranged for automatic operation must be carried out with the panel in RESET mode.
- Maintenance operations on the installation's electrical panels must be carried out in complete safety by cutting off all external power sources: ELECTRICAL POWER, GROUP and BATTERY.


For the electricity-generating groups prearranged for automatic operation, in addition to carrying out all periodic maintenance operations foreseen for normal usage, various operations must be carried out that are necessary in relation to the specific type of use. The electricity-generating group in fact must be continuously prepared for operation, even after prolonged periods of inactivity.

MAINTENANCE GENERATING SET WITH AUTOMATIC BOARD

	EVERY WEEK	EVERY MONTH AND/OR AFTER INTERVENTION ON LOAD	EVERY YEAR
1. TEST or AUTOMATIC TEST cycle to keep the generating set constantly operative	NO-LOAD X	WITH LOAD X	
2. Check all levels: engine oil, fuel level, battery electrolyte,, if necessary top it up.	X	X	
3. Control of electrical connections and cleaning of control panel		X	X

👉 Carry out motor oil change at least once a year, even if the requested number of hours has not been attained.

In case the machine should not be used for more than 30 days, make sure that the room in which it is stored presents a suitable shelter from heat sources, weather changes or anything which can cause rust, corrosion or damages to the machine.

 Have **qualified** personnel prepare the machine for storage.

GASOLINE ENGINE

Start the engine: It will run until it stops due to the lack of fuel.

Drain the oil from the engine sump and fill it with new oil (see page M25).

Pour about 10 cc of oil into the spark plug hole and screw the spark plug, after having rotated the crankshaft several times.

Rotate the crankshaft slowly until you feel a certain compression, then leave it.

In case the battery, for the electric start, is assembled, disconnect it.

Clean the covers and all the other parts of the machine carefully.

Protect the machine with a plastic hood and store it in a dry place.

DIESEL ENGINE

For short periods of time it is advisable, about every 10 days, to make the machine work with load for 15-30 minutes, for a correct distribution of the lubricant, to recharge the battery and to prevent any possible blocking of the injection system.

For long periods of inactivity, turn to the after sales service of the engine manufacturer.

Clean the covers and all the other parts of the machine carefully.

Protect the machine with a plastic hood and store it in a dry place.

In case of necessity for first aid and of fire prevention, see page. M2.5.



IMPORTANT



In the storage operations avoid that polluting substances, liquids, exhausted oils, etc. bring damage to people or things or can cause negative effects to surroundings, health or safety respecting completely the laws and/or dispositions in force in the place.



☞ Have **qualified** personnel disassemble the machine and dispose of the parts, including the oil, fuel, etc., in a correct manner when it is to be taken out of service.

As cust off we intend all operations to be made, at utilizer's care, at the end of the use of the machine. This comprises the dismantling of the machine, the subdivision of the several components for a further reutilization or for getting rid of them, the eventual packing and transportation of the eliminated parts up to their delivery to the store, or to the bureau encharged to the cust off or to the storage office, etc.

The several operations concerning the cust off, involve the manipulation of fluids potentially dangerous such as: lubricating oil and battery electrolyte.

The dismantling of metallic parts liable to cause injuries or wounds, must be made wearing heavy gloves and using suitable tools.

The getting rid of the various components of the machine must be made accordingly to rules in force of law a/o local rules.

**Particular attention must be paid when getting rid of:
lubricating oils, battery electrolyte, and inflammable liquids such as fuel, cooling liquid.**

The machine user is responsible for the observance of the norms concerning the environment conditions with regard to the elimination of the machine being cust off and of all its components.

In case the machine should be cust off without any previous disassembly it is however compulsory to remove:

- tank fuel
- engine lubricating oil
- cooling liquid from the engine
- battery

NOTE: MOSA is involved with custing off the machine **only** for the second hand ones, when not reparable.
This, of course, after authorization.

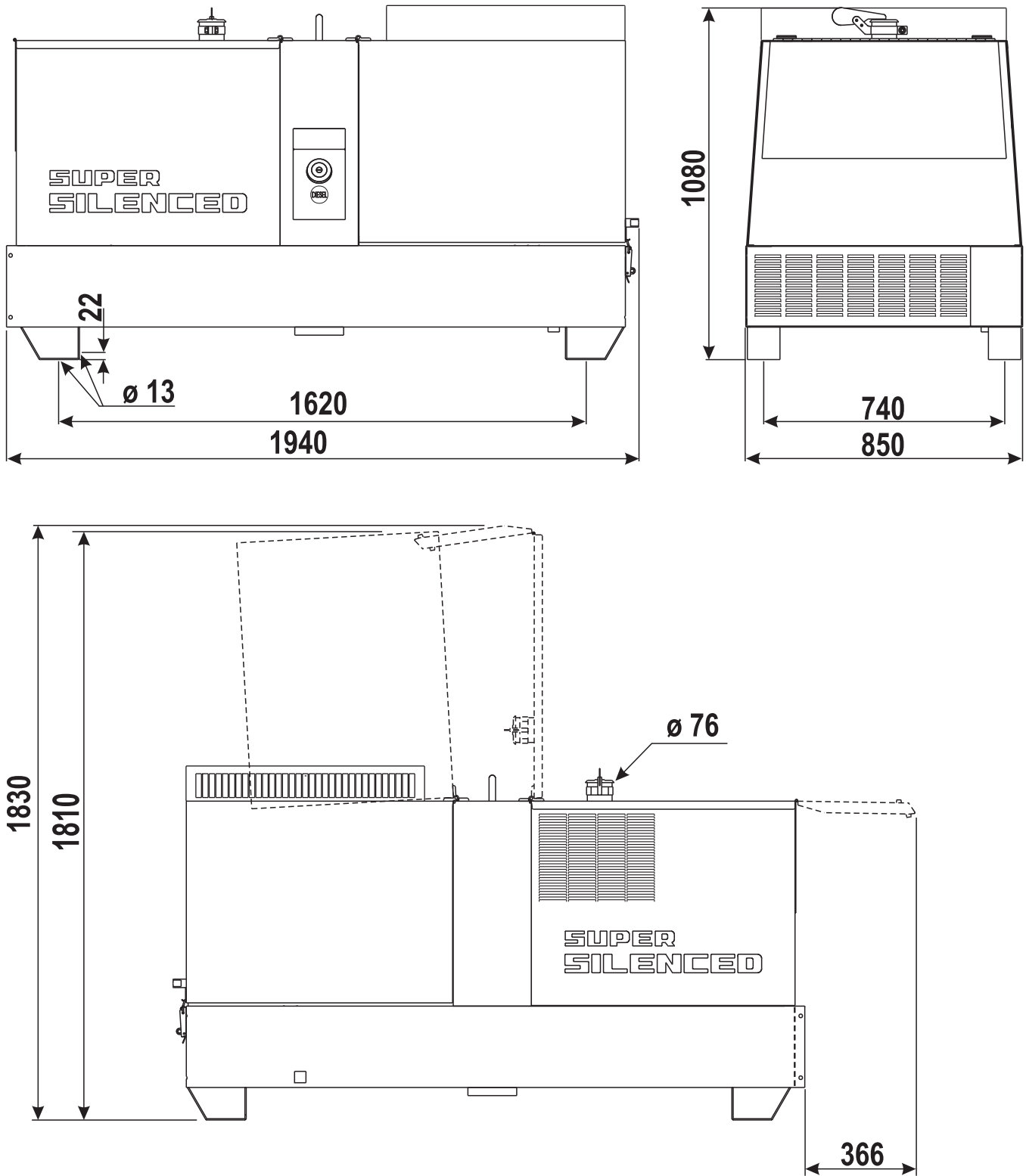
In case of necessity for first aid and fire prevention, see page M2.5.



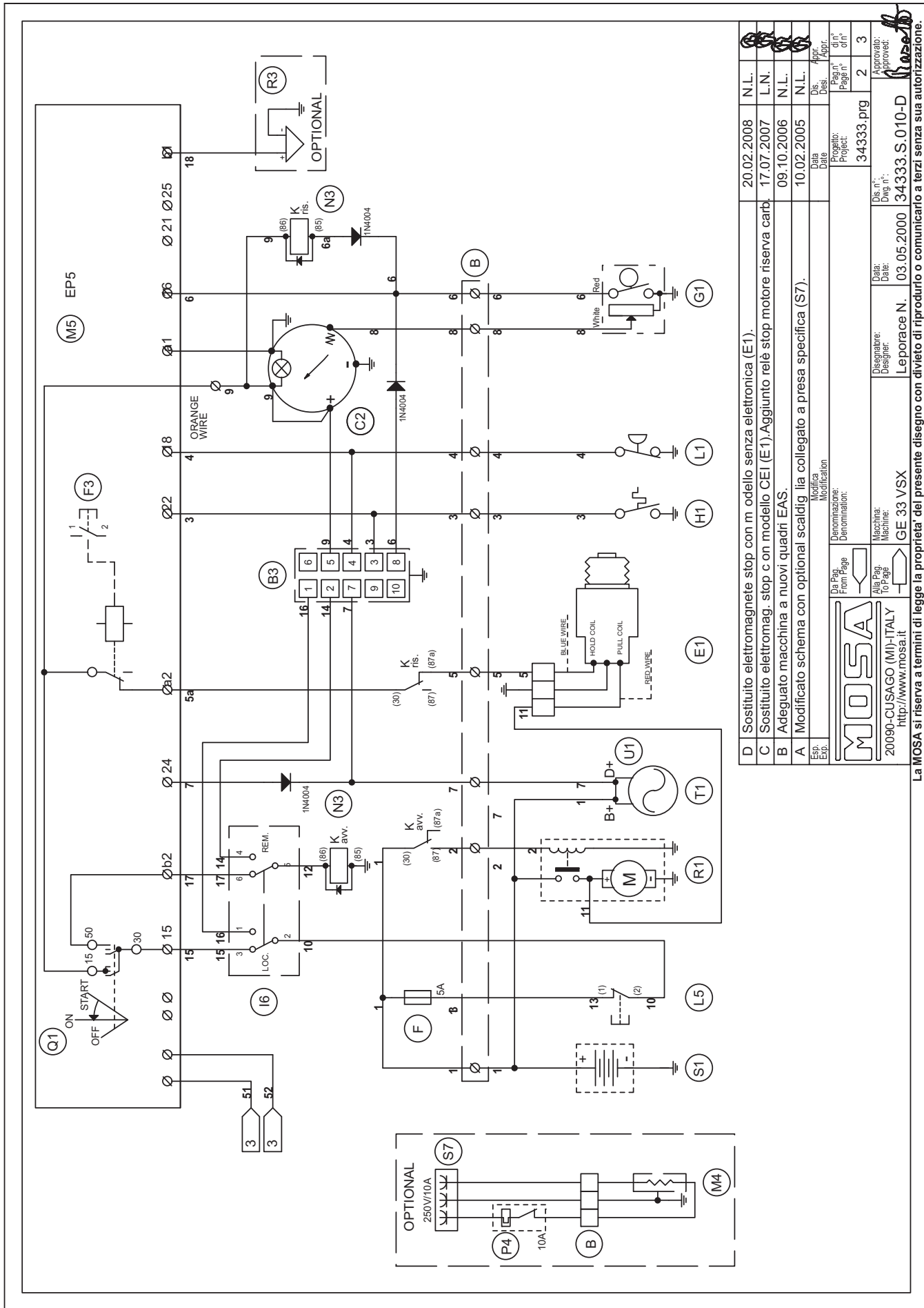
IMPORTANT



In the cust-off operations avoid that polluting substances, liquids, exhausted oils, etc. bring damage to people or things or can cause negative effects to surroundings, health or safety respecting completely the laws and/or dispositions in force in the place.



A: Alternator	A3: Insulation monitoring	A6: Commutator/switch
B: Wire connection unit	B3: E.A.S. connector	B6: Key switch, on/off
C: Capacitor	C3: E.A.S. PCB	C6: QEA control unit
D: G.F.I.	D3: Booster socket	D6: Connector, PAC
E: Welding PCB transformer	E3: Open circuit voltage switch	E6: Frequency rpm regulator
F: Fuse	F3: Stop push-button	F6: Arc-Force selector
G: 400V 3-phase socket	G3: Ignition coil	G6: Device starting motor
H: 230V 1phase socket	H3: Spark plug	H6: Fuel electro pump 12V c.c.
I: 110V 1-phase socket	I3: Range switch	I6: Start Local/Remote selector
L: Socket warning light	L3: Oil shut-down button	L6: Choke button
M: Hour-counter	M3: Battery charge diode	M6: Switch CC/CV
N: Voltmeter	N3: Relay	N6: Connector – wire feeder
P: Welding arc regulator	O3: Resistor	O6: 420V/110V 3-phase transformer
Q: 230V 3-phase socket	P3: Sparkler reactor	P6: Switch IDLE/RUN
R: Welding control PCB	Q3: Output power unit	Q6: Hz/V/A analogic instrument
S: Welding current ammeter	R3: Electric siren	R6: EMC filter
T: Welding current regulator	S3: E.P.4 engine protection	S6: Wire feeder supply switch
U: Current transformer	T3: Engine control PCB	T6: Wire feeder socket
V: Welding voltage voltmeter	U3: R.P.M. electronic regulator	U6: DSP chopper PCB
Z: Welding sockets	V3: PTO HI control PCB	V6: Power chopper supply PCB
X: Shunt	Z3: PTO HI 20 l/min push-button	Z6: Switch and leds PCB
W: D.C. inductor	W3: PTO HI 30 l/min push-button	W6: Hall sensor
Y: Welding diode bridge	X3: PTO HI reset push-button	X6: Water heater indicator
	Y3: PTO HI 20 l/min indicator	Y6: Battery charge indicator
A1: Arc striking resistor	A4: PTO HI 30 l/min indicator	A7: Transfer pump selector AUT-0-MAN
B1: Arc striking circuit	B4: PTO HI reset indicator	B7: Fuel transfer pump
C1: 110V D.C./48V D.C. diode bridge	C4: PTO HI 20 l/min solenoid valve	C7: „GECO“ generating set test
D1: E.P.1 engine protection	D4: PTO HI 30 l/min solenoid valve	D7: Flooting with level switches
E1: Engine stop solenoid	E4: Hydraulic oil pressure switch	E7: Voltmeter regulator
F1: Acceleration solenoid	F4: Hydraulic oil level gauge	F7: WELD/AUX switch
G1: Fuel level transmitter	G4: Preheating glow plugs	G7: Reactor, 3-phase
H1: Oil or water thermostat	H4: Preheating gearbox	H7: Switch disconnecter
I1: 48V D.C. socket	I4: Preheating indicator	I7: Solenoid stop timer
L1: Oil pressure switch	L4: R.C. filter	L7: "VODIA" connector
M1: Fuel warning light	M4: Heater with thermostat	M7: "F" EDC4 connector
N1: Battery charge warning light	N4: Choke solenoid	N7: OFF-ON-DIAGN. selector
O1: Oil pressure warning light	O4: Step relay	O7: DIAGNOSTIC push-button
P1: Fuse	P4: Circuit breaker	P7: DIAGNOSTIC indicator
Q1: Starter key	Q4: Battery charge sockets	Q7: Welding selector mode
R1: Starter motor	R4: Sensor, cooling liquid temperature	R7: VRD load
S1: Battery	S4: Sensor, air filter clogging	S7: 230V 1-phase plug
T1: Battery charge alternator	T4: Warning light, air filter clogging	T7: V/Hz analogic instrument
U1: Battery charge voltage regulator	U4: Polarity inverter remote control	U7: Engine protection EP6
V1: Solenoid valve control PCBT	V4: Polarity inverter switch	V7: G.F.I. relay supply switch
Z1: Solenoid valve	Z4: Transformer 230/48V	Z7: Radio remote control receiver
W1: Remote control switch	W4: Diode bridge, polarity change	W7: Radio remote control transmitter
X1: Remote control and/or wire feeder socket	X4: Base current diode bridge	X7: Isometer test push-button
Y1: Remote control plug	Y4: PCB control unit, polarity inverter	Y7: Remote start socket
A2: Remote control welding regulator	A5: Base current switch	A8: Transfer fuel pump control
B2: E.P.2 engine protection	B5: Auxiliary push-button ON/OFF	B8: Ammeter selector switch
C2: Fuel level gauge	C5: Accelerator electronic control	C8: 400V/230V/115V commutator
D2: Ammeter	D5: Actuator	D8: 50/60 Hz switch
E2: Frequency meter	E5: Pick-up	E8: Cold start advance with temp. switch
F2: Battery charge transformer	F5: Warning light, high temperature	F8: START/STOP switch
G2: Battery charge PCB	G5: Commutator auxiliary power	G8: Polarity inverter two way switch
H2: Voltage selector switch	H5: 24V diode bridge	H8: Engine protection EP7
I2: 48V a.c. socket	I5: Y/s commutator	I8: AUTOIDLE switch
L2: Thermal relay	L5: Emergency stop button	L8: AUTOIDLE PCB
M2: Contactor	M5: Engine protection EP5	M8: A4E2 ECM engine PCB
N2: G.F.I. and circuit breaker	N5: Pre-heat push-button	N8: Remote emergency stop connector
O2: 42V EEC socket	O5: Accelerator solenoid PCB	O8: V/A digital instruments and led VRD PCB
P2: G.F.I. resistor	P5: Oil pressure switch	P8: Water in fuel
Q2: T.E.P. engine protection	Q5: Water temperature switch	Q8:
R2: Solenoid control PCBT	R5: Water heater	R8:
S2: Oil level transmitter	S5: Engine connector 24 poles	S8:
T2: Engine stop push-button T.C.1	T5: Electronic GFI relais	T8:
U2: Engine start push-button T.C.1	U5: Release coil, circuit breaker	U8:
V2: 24V c.a. socket	V5: Oil pressure indicator	V8:
Z2: Thermal magnetic circuit breaker	Z5: Water temperature indicator	Z8:
W2: S.C.R. protection unit	W5: Battery voltmeter	W8:
X2: Remote control socket	X5: Contactor, polarity change	X8:
Y2: Remote control plug	Y5: Commutator/switch, series/parallel	Y8:

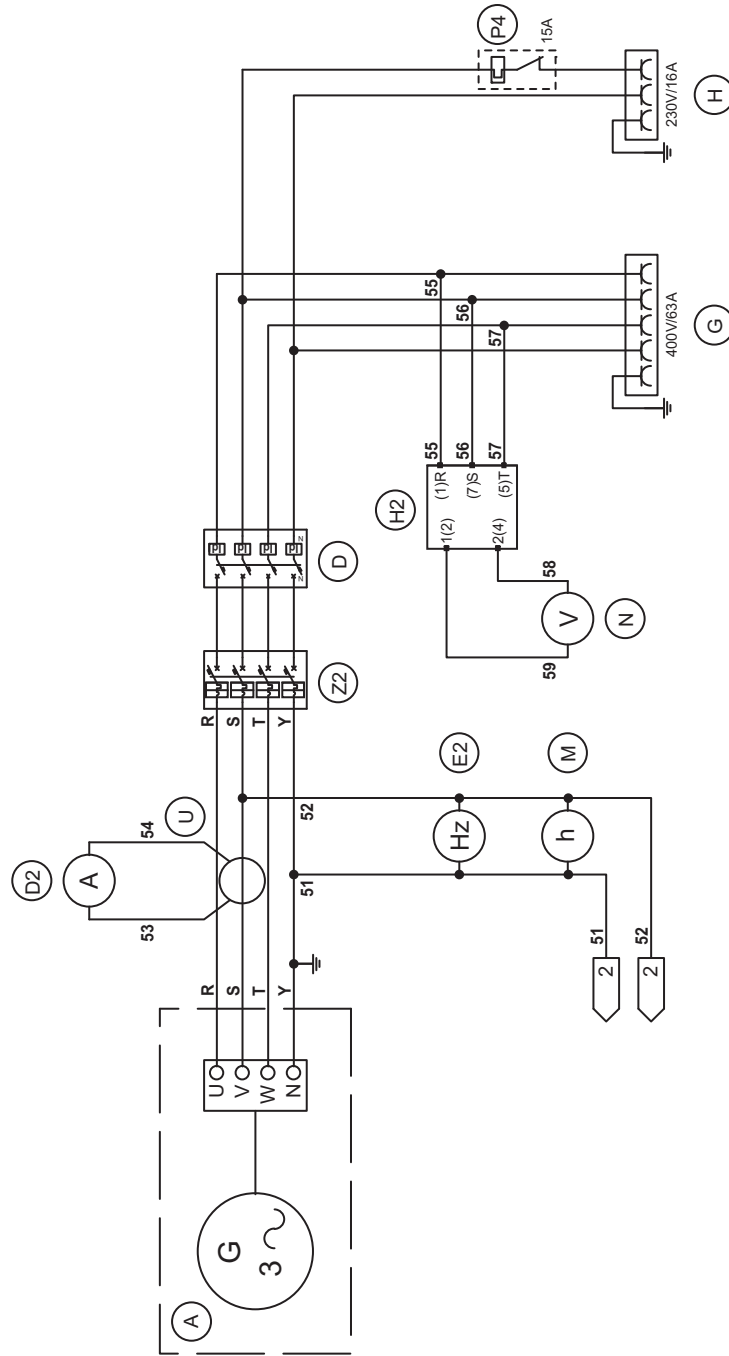


D	Sostituito elettromagnetico stop con m. odello senza elettronica (E1).	20.02.2008	N.L.
C	Sostituito elettromag. stop con modello CEI (E1). Aggiunto relè stop motore riserva carb.	17.07.2007	L.N.
B	Adeguato macchina a nuovi quadri EAS.	09.10.2006	N.L.
A	Modificato schema con optional scaldig. Ila collegato a presa specifica (S7).	10.02.2005	N.L.

Dis. n°	34333
Dwg. n°	S.010-D
Disegnatore:	Leporace N.
Dis. n°	GE 33 VSX
Dwg. n°	http://www.mosa.it

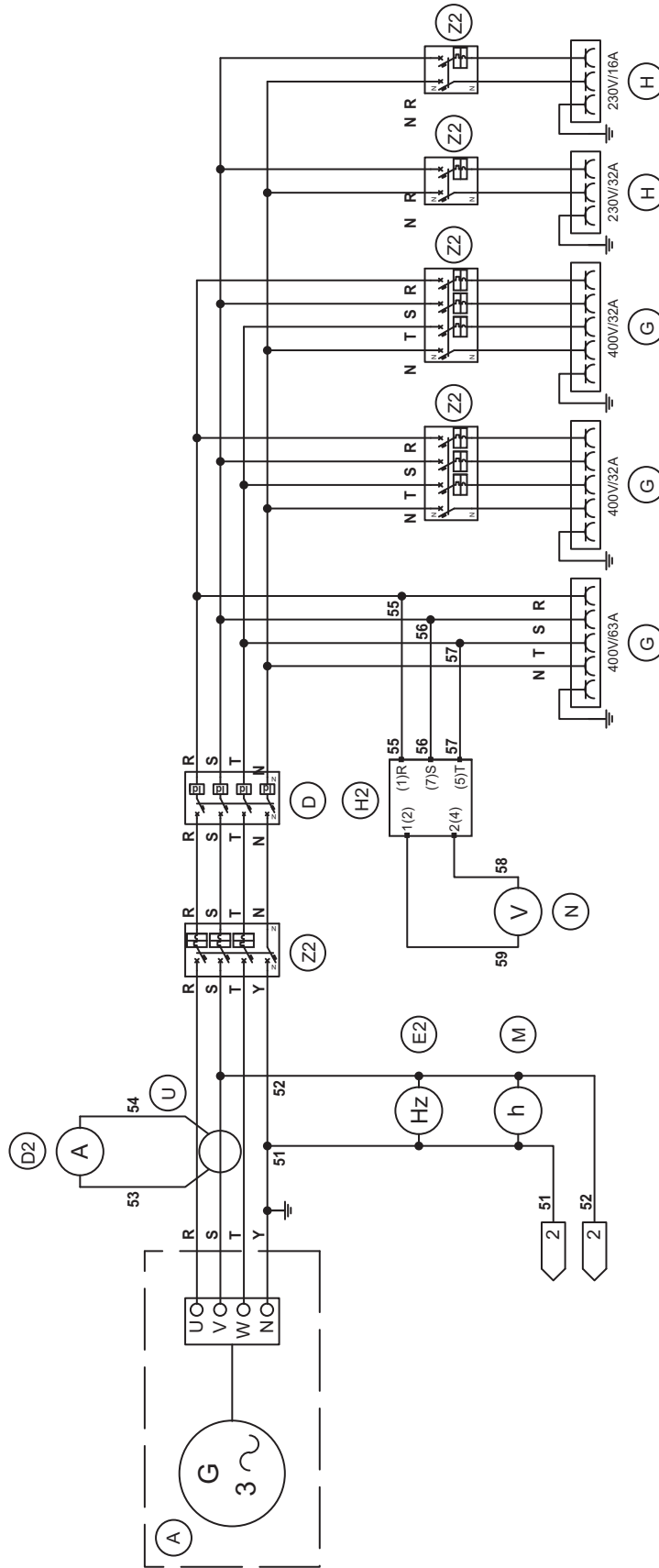
Data	34333.plg
Dis. n°	2
Dwg. n°	3

La MOSA si riserva a termini di legge la proprietà del presente disegno con divieto di riproduzione o comunicarlo a terzi senza sua autorizzazione.



A Spostato TA dalla fase R alla fase S (Alternatore Linz)		05.03.2010		B.F.	
Dis. n°	Dis. n°	Dis. n°	Dis. n°	Dis. n°	Dis. n°
1	1	1	1	1	1
Modifica		34405.prg		3	
Denominazione:		AUX. (400T/230M) DMT		Disegnato:	
Da Pagina		AUX. (400T/230M) DMT		Disegnato:	
From Page		AUX. (400T/230M) DMT		Disegnato:	
Macchina:		GE 40 VSX		Disegnato:	
20090-CUSAGO (MI)-ITALY		24405.S.020-A		Disegnato:	
http://www.mosa.it		Leporace N.		Disegnato:	
		Leporace N.		Disegnato:	
		Leporace N.		Disegnato:	

La MOSA si riserva a termini di legge la proprietà del presente disegno con divieto di riprodurlo o comunicarlo a terzi senza sua autorizzazione.



A Spostato TA dalla fase R alla fase S (Alternatore Linz)		05.03.2010		B.F.	
Esp. E.xp.	Modifica	Data	Dis. D.ssi.	Appr. d' n°	di n°
Denominazione: AUX. (400Tx3/230Mx2) DMT		Project: 34406.prg		Page n° 3	
Da Pag. From Page		Project: 34406.prg		Page n° 3	
Alia Pag. To Page		Dis. n°. 04/05/2000		Approvato: 34406.S.020-A	
Macchina: GE 40 VSX		Designator: Leporace N.		Approved:	
http://www.mosa.it		Designer: Leporace N.			

La MOSA si riserva a termini di legge la proprietà del presente disegno con divieto di riprodurlo o comunicarlo a terzi senza sua autorizzazione.

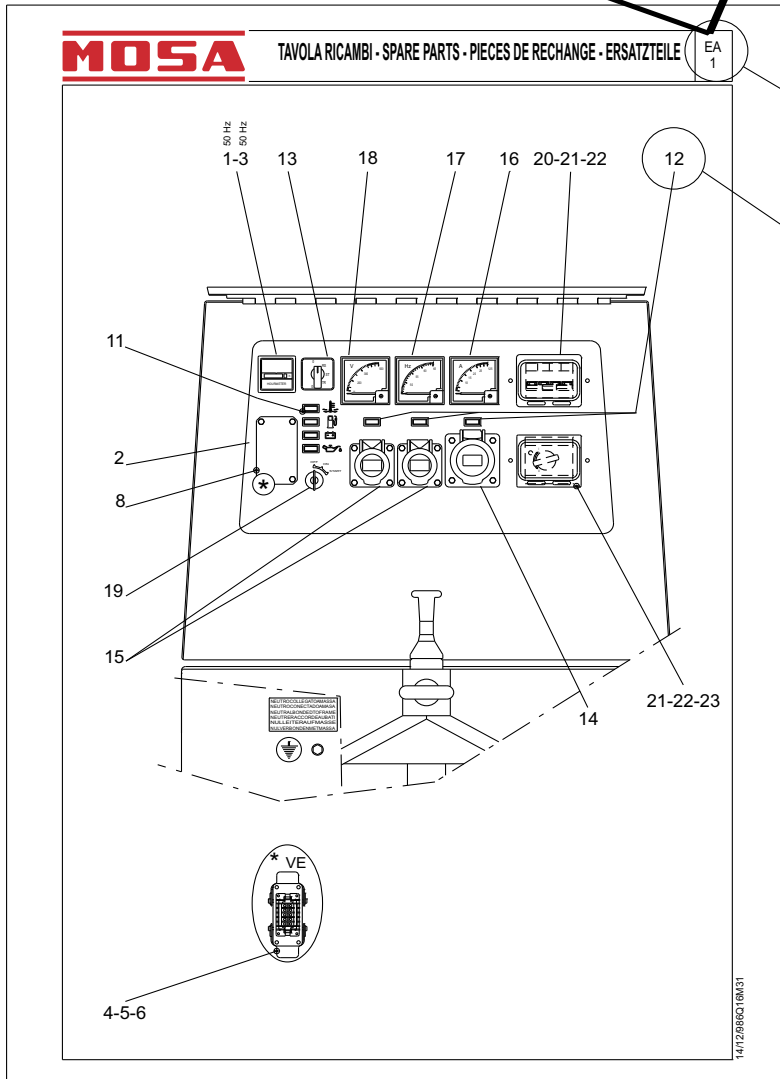
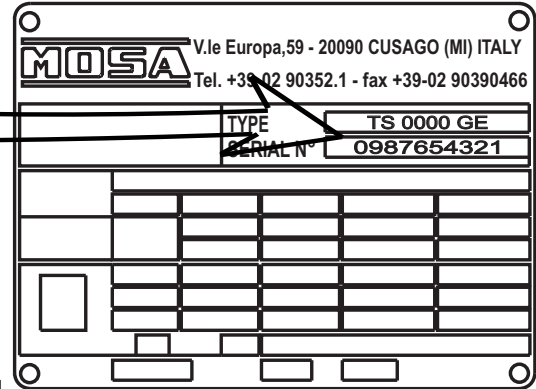
MOSA guarantees that any request for spare parts will be satisfied.

To keep the machine in full working order, when replacement of MOSA spare parts is required, always ask for genuine parts only.

The requested data are to be found on the data plate located on the machine structure, quite visible and easy to consult. *

When ordering the spare parts, it is recommended to indicate:

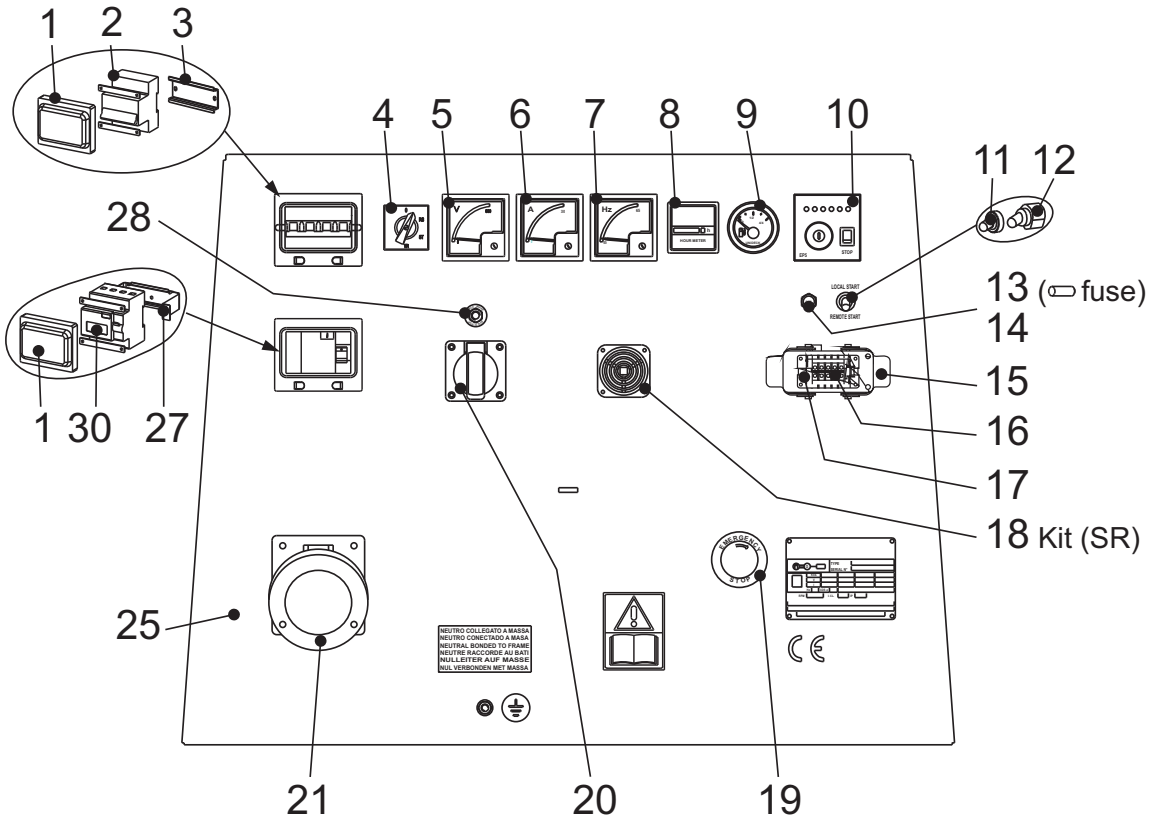
- 1) * serial number
- 2) * model of welder and/or generating set
- 3) ◆ n. table
- 4) ◆ n. position
- 5) quantity



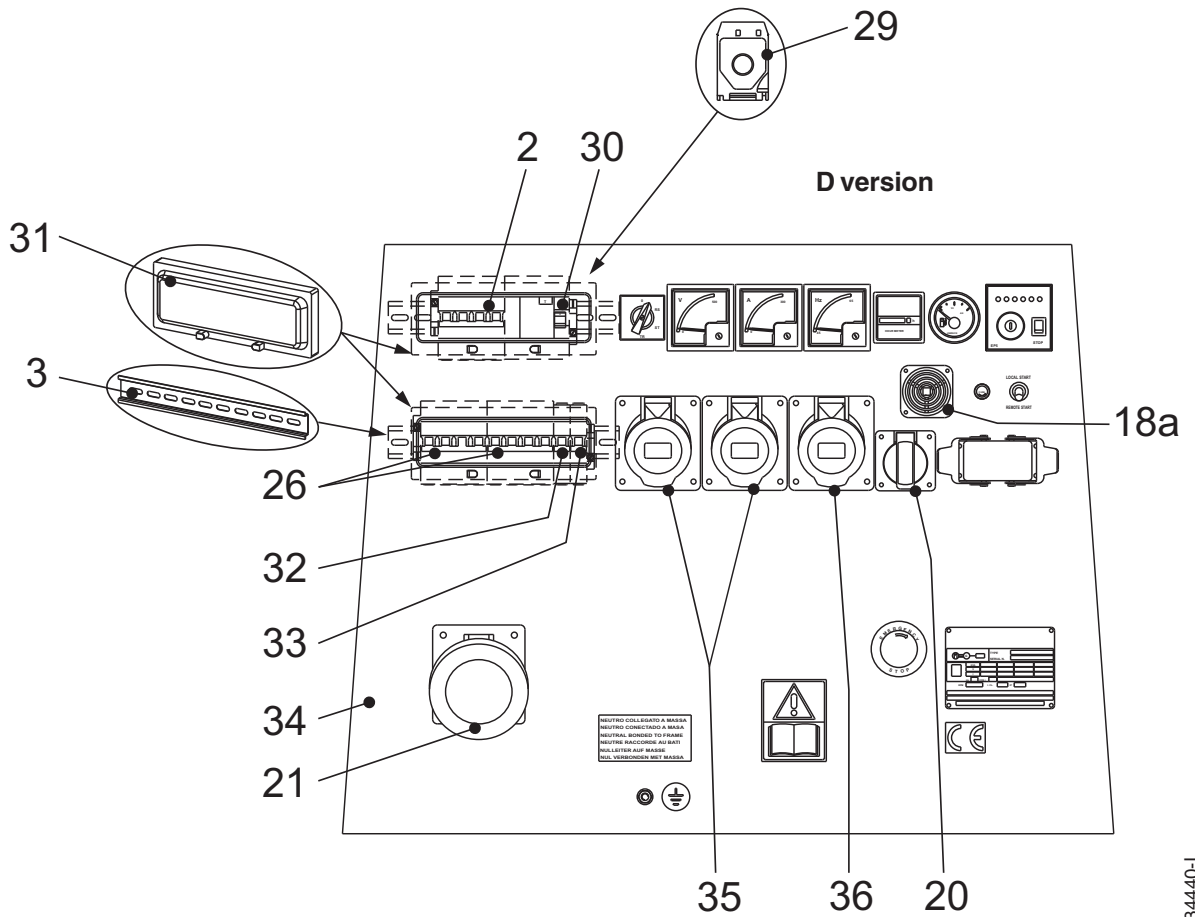
ABBREVIATIONS AND SYMBOLS:

- (EV) When ordering, specify the engine type and the auxiliary voltage
- (ER) Engine with recoil starter only
- (ES) Engine with electric starter only
- (VE) E.A.S version only.
- (QM) When ordering, specify the length in meters
- (VS) Special version only
- (SR) By request only

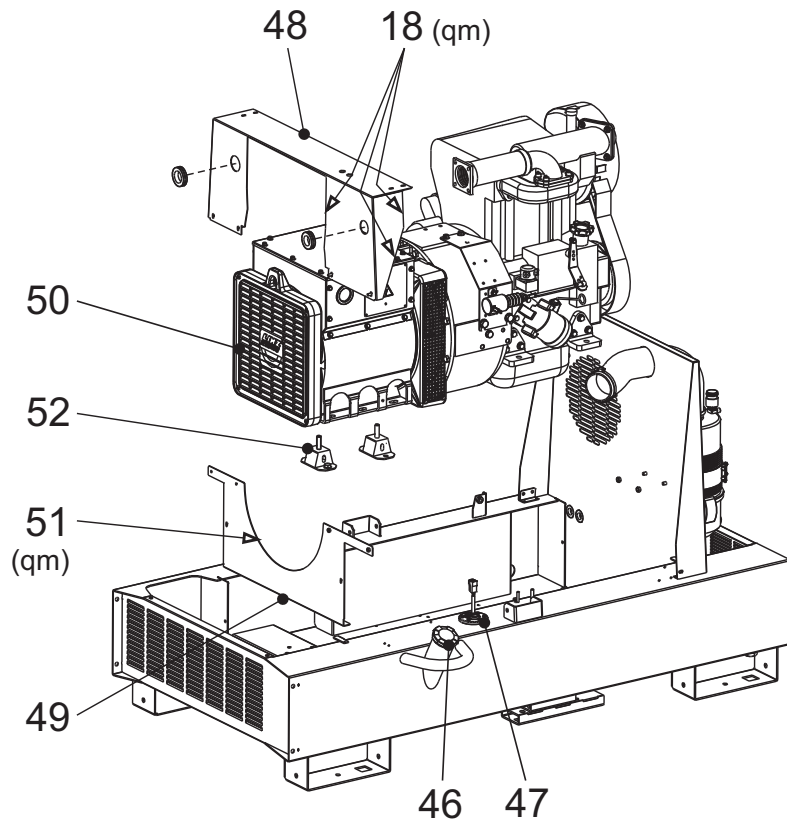
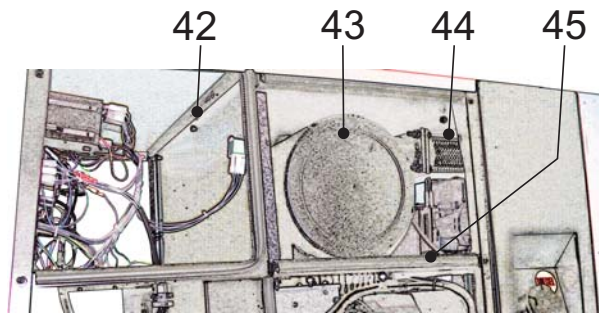
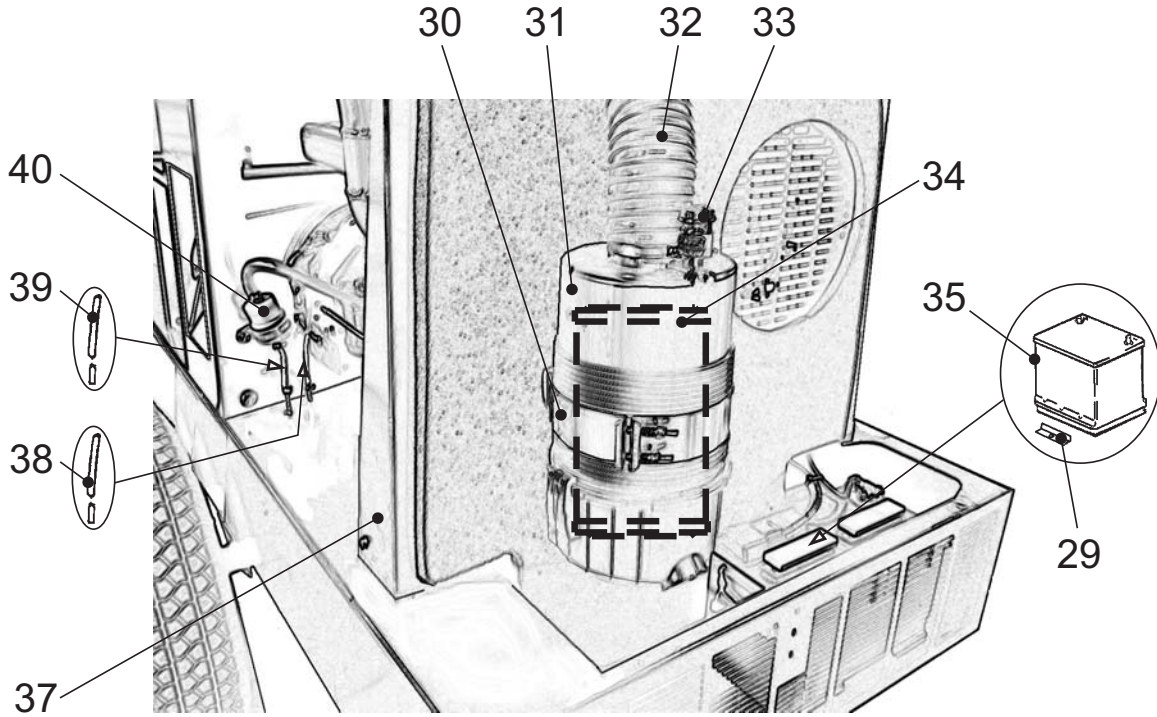
STANDARD version



D version

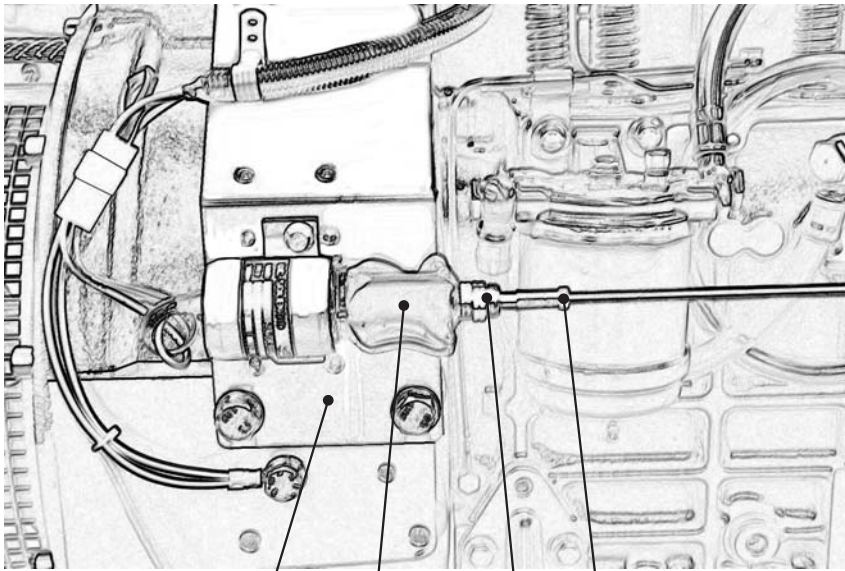
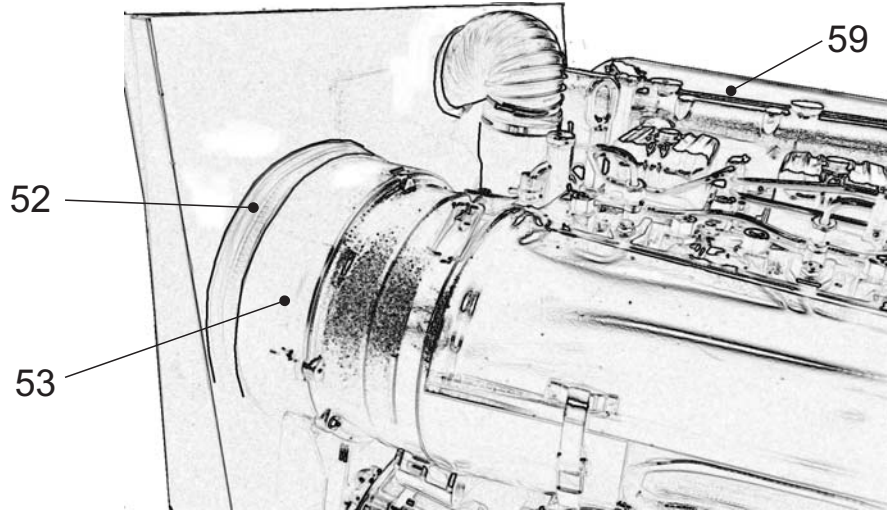


<i>Pos.</i>	<i>Rev.</i>	<i>Cod.</i>	<i>Descr.</i>	<i>Note</i>
1		M219937130	COPERCHIO INTERRUT.DIFFERENZ. / <i>COVER GFI</i>	
2		M305019705	INTERR.MAGNET.400V 63A / <i>CIRCUIT BREAKER</i>	
3		M1243020	GUIDA PER MORSETTIERA / <i>TERMINAL GUIDE</i>	qm
4		M305717315	COMMUTATORE / <i>COMMUTATOR</i>	
5		M305717300	VOLTMETRO / <i>VOLTMETER</i>	
6		M343337305	AMPEROMETRO 60A / <i>AMPEROMETER 60A</i>	
7		M305717310	FREQUENZIMETRO / <i>FREQUENCYMETER</i>	
8		M105511810	CONTAORE 230V 50Hz IP65 / <i>HOURMETER 230V 50Hz IP65</i>	
9		M325507210	INDICATORE LIVELLO CARBURANTE / <i>FUEL LEVEL GAUGE</i>	
10		M744509770	UNITA'CONTROLLO MOTORE / <i>PCB ENGINE CONTROL EP5</i>	
11		M102042740	CAPPUCCIO / <i>CAP</i>	
12		M102013290	COMMUTATORE / <i>COMMUTATOR</i>	
13		M1291120	FUSIBILE / <i>FUSE</i>	
14		M307759045	PORTAFUSIBILE / <i>FUSE HOLDER</i>	
15		M105191550	CUSTODIA PER PRESA EAS / <i>BOX, EAS SOCKET</i>	
16		M105191560	FRUTTO PRESA CONNETTORE / <i>SOCKET, EAS</i>	
17		M105191570	COPERCHIO PER PRESA EAS / <i>BLIND PLATE, EAS SOCKET</i>	
18		M343330162	KIT AVVISATORE ACUSTICO / <i>ACOUSTIC ALARM SYSTEM</i>	(SR)
18 a		M315507215	AVVISATORE ACUSTICO / <i>ACOUSTIC ALARM SYSTEM</i>	
19		M744507219	PULSANTE STOP D'EMERGENZA / <i>EMERGENCY PUSH BUTTON STOP</i>	
20		M259107241	PRESA SCHUKO 16A 230V - 2P+T / <i>SOCKET SCHUKO 16A 230V 2P+T</i>	
21		M344027270	PRESA CEE 63A 400V 3P+N+T / <i>EEC SOCKET 63A 400V 3P+N+T</i>	
25		M344057020	PANNELLO FRONTALE / <i>FRONT PANEL</i>	
26		M105511860	INTERRUTTORE DIFFERENZIALE / <i>GROUNDFAULT INTERRUPTOR (GFI)</i>	
27		M219937036	STAFFA / <i>BRACKET</i>	
28		M155307107	DISGIUNTORE TERMICO 15A-250V / <i>THERMAL SWITCH 15A-250V</i>	
29		M343337306	TRASFORMATORE / <i>TRANSFORMER 60/5A</i>	
30		M305027105	INTERRUTTORE DIFFERENZIALE / <i>GROUNDFAULT INTERRUPTOR (GFI)</i>	
31		M317807130	COPERCHIO PROTEZIONE I.D. / <i>COVER PROTECTION</i>	
32		M766707325	INTERRUTTORE MAGNETOTERMICO / <i>CIRCUIT BREAKER</i>	
33		M734507325	INTER.MAGNETOTERMICO 16A 1P+N / <i>CIRCUIT BREAKER 16A 1P+N</i>	
34		M344067020	PANNELLO FRONTALE / <i>FRONT PANEL</i>	
35		M105111510	PRESA CEE 380V TRIFASE / <i>EEC SOCKET THREE-PHASE 380V</i>	
36		M105111520	PRESA CEE 220V MONOF. 2P+T / <i>EEC SOCKET SINGLE-PH.220V 2P+N</i>	

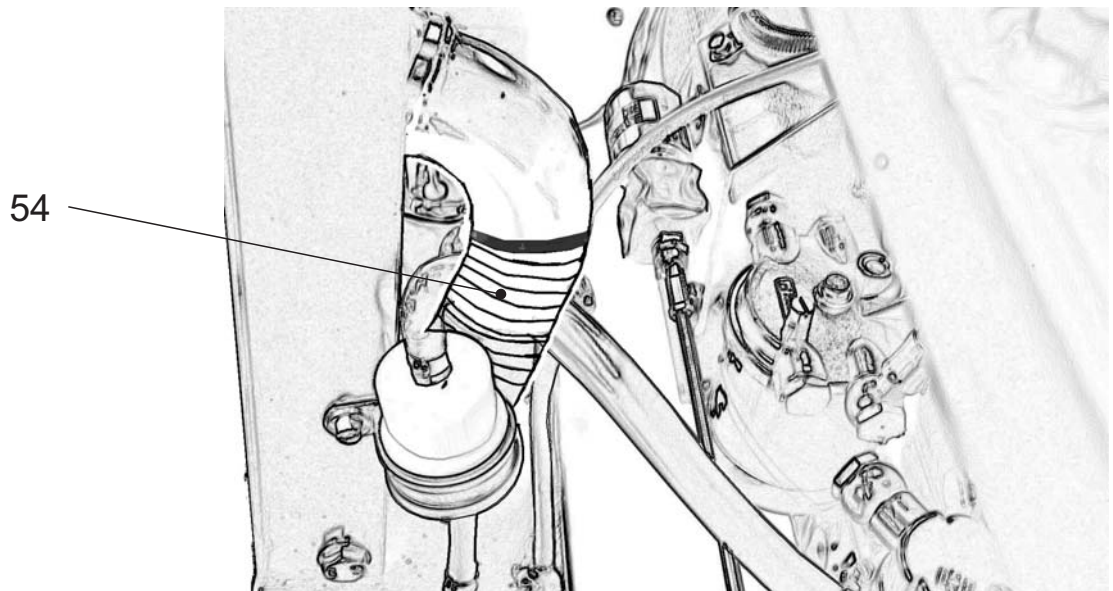


<i>Pos.</i>	<i>Rev.</i>	<i>Cod.</i>	<i>Descr.</i>	<i>Note</i>
29		M107301770	STAFFA	
30		M342802125	FASCETTA	
31		M342802130	FILTRO ARIA COMPLETO	
32		M1229870	TUBO FLESSIBILE (MT.1)	qm
33		M325462131	INDICAT. INTASAMENTO FILTRO ARIA	
34		M342802132	ELEMENTO FILTRANTE	
35		M764409150	BATTERIA 12V 100Ah	
37		M343338221	PARATIA ASPIRAZIONE MOTORE	
38		M107301890	TUBO SFIATO (L=MT.1)	qm
39		M307402208	TUBO IN GOMMA (L=MT.1)	qm
40		M256602228	FILTRO GASOLIO	
42		M343337010	SCATOLA ELETTRICA	
43		M343332050	SILENZIATORE DI SCARICO	
44		M344050566	KIT TUBO SCARICO	
45		M343338225	PARATIA CAMERA SILENZ.SCARICO	
46		M342202026	TAPPO SERBATOIO	
47		M764409975	SENSORE LIVELLO CARBURANTE(L=225)	
48		M344408217	PARATIA SUPERIORE ALTERNATORE	
49		M344408218	PARATIA INFERIORE ALTERNATORE	
50		M344403100	ALTERNATORE LINZ	
51		M105112270	GUARNIZIONE (L=MT.1)	qm
52		M105612070	ANTIVIBRANTE 40x50	

<i>Pos.</i>	<i>Rev.</i>	<i>Cod.</i>	<i>Descr.</i>	<i>Note</i>
29		M107301770	BRACKET	
30		M342802125	CLAMP	
31		M342802130	AIR FILTER,ASSY	
32		M1229870	FLEXIBLE PIPE (MT.1)	qm
33		M325462131	WARNING LIGHT	
34		M342802132	AIR FILTER	
35		M764409150	BATTERY	
37		M343338221	BULKHEAD, ENGINE AIR INLET	
38		M107301890	PIPE, BREATHER (L=MT.1)	qm
39		M307402208	RUBBER PIPE	qm
40		M256602228	FUEL FILTER	
42		M343337010	ELECTRICAL BOX	
43		M343332050	EXHAUST MUFFLER	
44		M344050566	EXHAUST PIPE KIT	
45		M343338225	WALL x MUFFLER EXHAUST BOX	
46		M342202026	CAP, FUEL TANK	
47		M764409975	FUEL LEVEL SENSOR	
48		M344408217	ALTERNATOR TOP BULKHEAD	
49		M344408218	ALTERNATOR LOWER BULKHEAD	
50		M344403100	LINZ ALTERNATOR	
51		M105112270	STRIP, SEALING (L=MT.1)	qm
52		M105612070	VIBRATION-DAMPER 40x50	

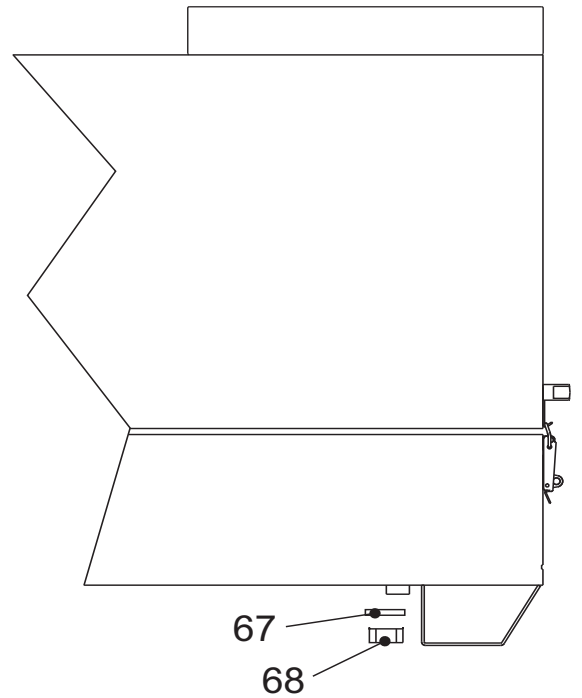
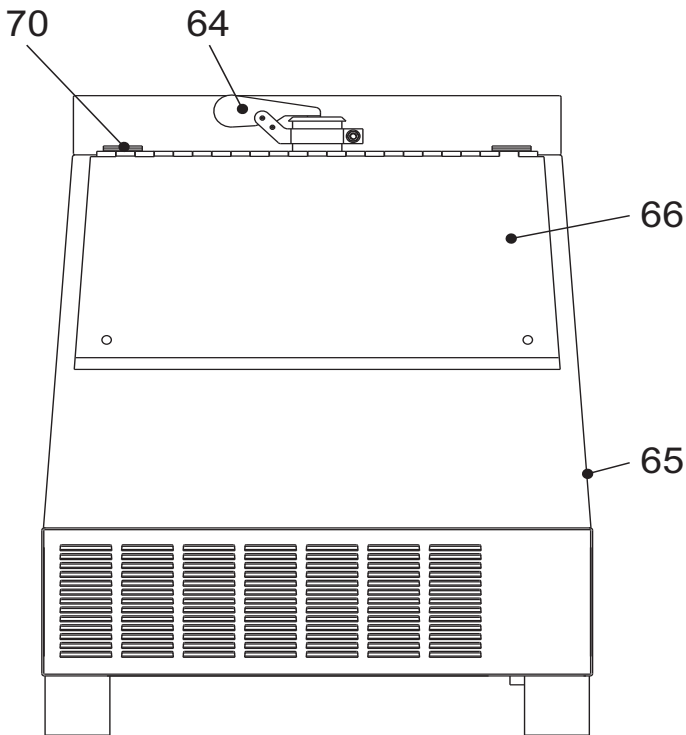
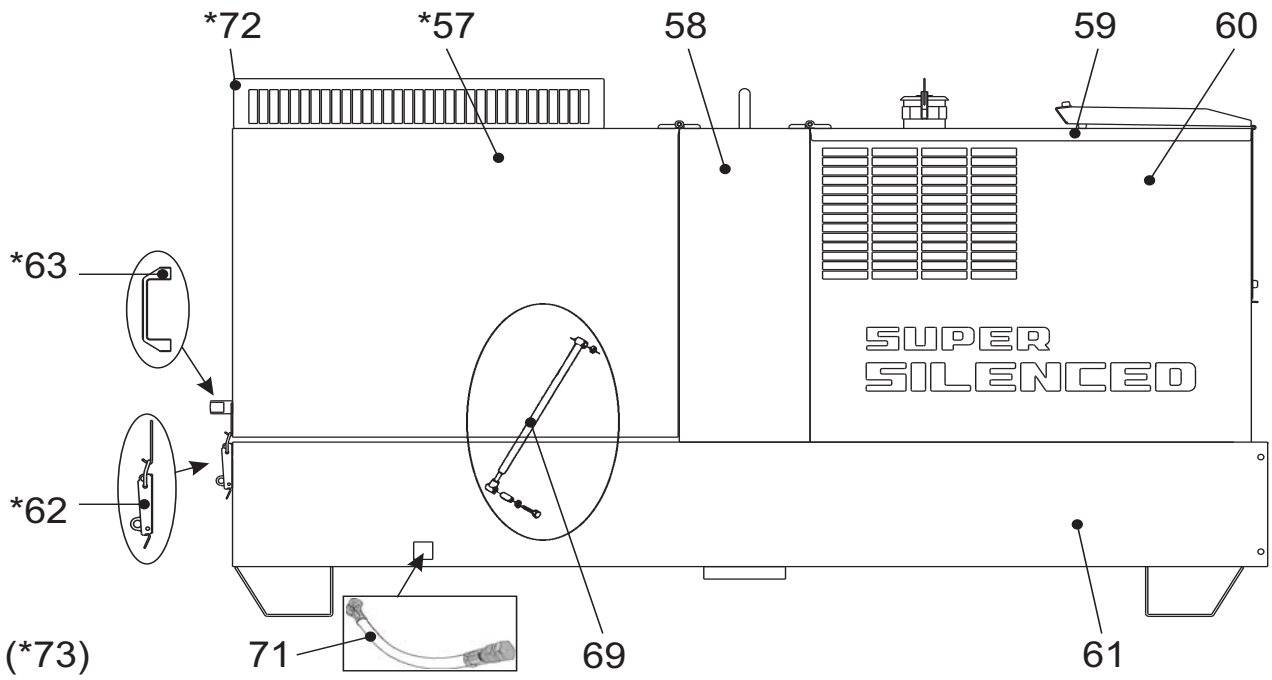


58 57 56 55



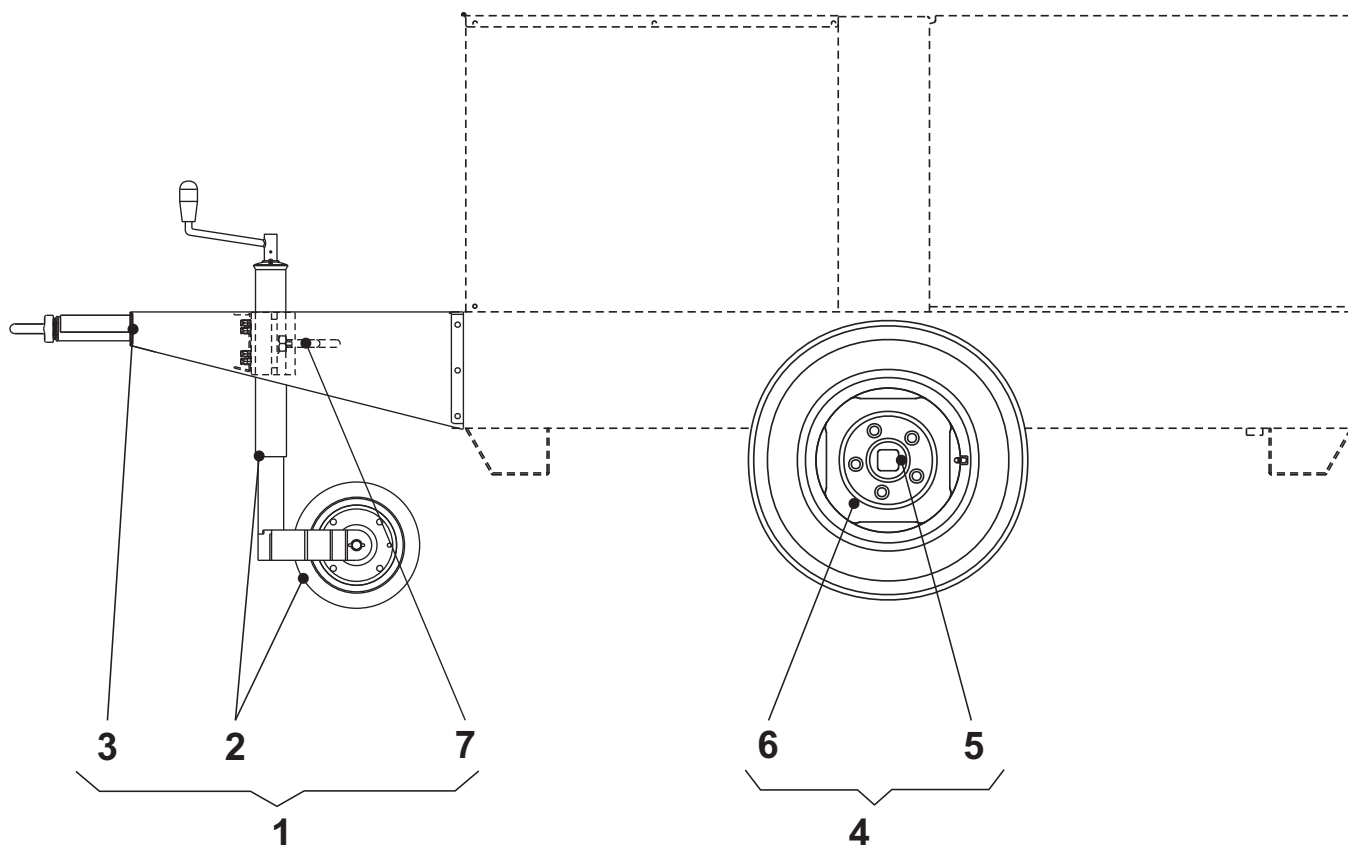
<i>Pos.</i>	<i>Rev. Cod.</i>	<i>Descr.</i>	<i>Note</i>
52	M102302280	GUARNIZIONE (L=MT.1)	qm
53	M343332040	CONVOGLIATORE ARIA MOTORE	
54	M6095030	TUBO GOMMA	qm
55	M342209058	TIRANTE SNODATO	
56	M105631146	TESTINA SNODATA	
57	M274009055	ELETTROMAGNETE ARRESTO MOTORE	
58	M305779101	STAFFA	
59	M244052200	MOTORE VM SUN 3105 T E2	

<i>Pos.</i>	<i>Rev. Cod.</i>	<i>Descr.</i>	<i>Note</i>
52	M102302280	GASKET (L=MT.1)	qm
53	M343332040	ENGINE CONVEYOR	
54	M6095030	PIPE	qm
55	M342209058	TIE ROD	
56	M105631146	BALL JOINT	
57	M274009055	STOP SOLENOID	
58	M305779101	BRACKET	
59	M244052200	ENGINE VM SUN 3105 T E2	

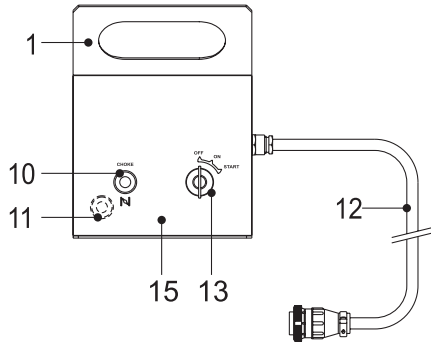
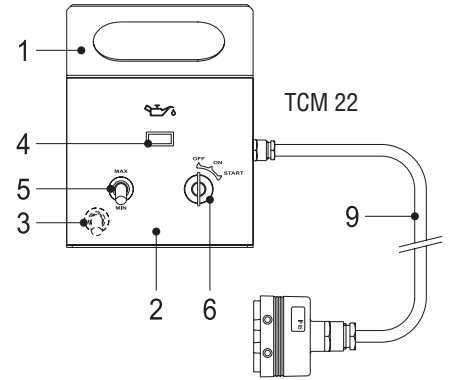
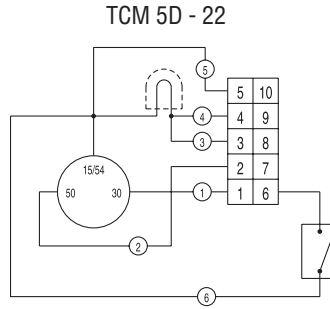
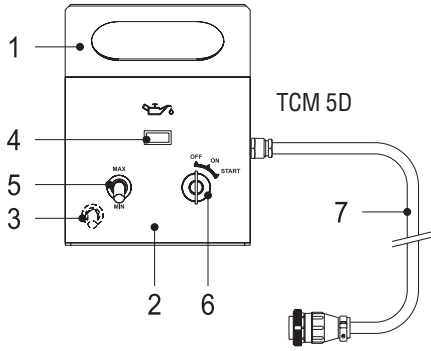


<i>Pos.</i>	<i>Rev.</i>	<i>Cod.</i>	<i>Descr.</i>	<i>Note</i>
57		M344058035	CARENATURA POSTERIORE	
58		M343331100	ROLL-BAR	
59		M343338021	COPERCHIO CARENATURA	
60		M344058015	FIANCATA (SX) CARENATURA ANT.	
61		M343401050	BASAMENTO	
62		M107300180	CHIUSURA COMPL. A LEVA	
63		M343339601	MANIGLIA	
64		M840952053	COPERCHIETTO PARAPIOGGIA	
65		M343338010	FIANCATA CARENATURA	
66		M343338100	COPERCHIO FRONTALE	
67		M308102023	GUARNIZIONE	
68		M308101262	TAPPO SCARICO SERBATOIO	
69		M305718115	PISTONE SOSTEGNO	
70		M744508140	CERNIERA PER FIANCATA	
71		M343332212	TUBO SCARICO OLIO	
72		M344058200	CASSONETTO ESPULSIONE ARIA	
73		M344050511	CARENATURA POST. COMPL. (RICAMBI)	

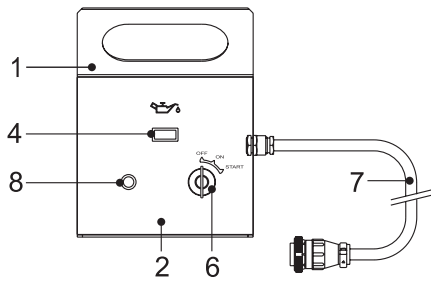
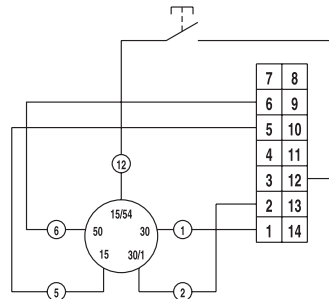
<i>Pos.</i>	<i>Rev.</i>	<i>Cod.</i>	<i>Descr.</i>	<i>Note</i>
57		M344058035	REAR COVER	
58		M343331100	ROLL-BAR	
59		M343338021	FRONT COVER	
60		M344058015	SIDE COVER	
61		M343401050	BASE	
62		M107300180	LATCH	
63		M343339601	KNOB	
64		M840952053	WATER CAP	
65		M343338010	COVER SIDE	
66		M343338100	FRONT COVER	
67		M308102023	GASKET	
68		M308101262	FUEL TANK CAP	
69		M305718115	SUPPORT, REAR COVER	
70		M744508140	LATCH	
71		M343332212	EXHAUST OIL PIPE	
72		M344058200	AIR OUTLET INTAKE	
73		M344050511	REAR COVER COMPL.	



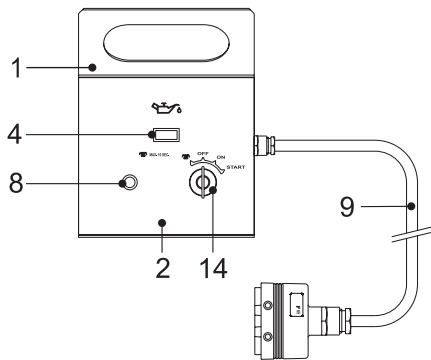
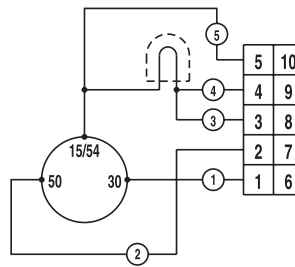
Pos.	Cod.	Descr.	Descr.	Note
1	0000344050141	GR.TIMONE,PIEDE x TRAINO LENTO	<i>KIT SITE TOW</i>	Da/from REV.2-05/09 Del.178/08-15/10/08
1	0000225100141	GR.TIMONE,PIEDE x TRAINO LENTO	<i>KIT SITE TOW</i>	Da/from REV.1-02/07 Del.09/07-.26/01/07 Fino a/up to REV.1-02/07 Del.178/08-15/10/08
1	0000305200141	GR.TIMONE,PIEDE x TRAINO LENTO	<i>KIT SITE TOW</i>	Fino a/up to REV. 0-12/02 Del.09/07-26/01/07
2	344051051	PIEDE D'APPOGGIO	<i>PARKING STAND</i>	Da/from REV.2-05/09 Del.178/08-15/10/08
2	342231051	PIEDE DI STAZIONAMENTO	<i>PARKING STAND</i>	Da/from REV.1-02/07 Del.09/07-26/01/07 Fino a/up to REV.1-02/07 Del.178/08-15/10/08
2	102351750	PIEDE DI STAZIONAMENTO	<i>PARKING STAND</i>	Fino a/up to REV.0-12/02 Del.09/07-26/01/07
3	305751150	TIMONE	<i>TOW BAR</i>	Da/from REV.1-02/07 Del.09/07-26/01/07
3	305201150	TIMONE	<i>TOW BAR</i>	Fino a/up to REV. 0-12/02 Del.09/07-26/01/07
4	0000305600142	GR.ASSALE,RUOTE x TRAINO LENTO	<i>KIT SITE TOW</i>	era 305600142 10/12/02
5	305751160	ASSALE	<i>AXLE</i>	
6	105612030	RUOTA	<i>WHEEL</i>	
7	344051080	MORSETTO FISS. RUOTA D'APPOGGIO	<i>STANDING WHEEL JAW</i>	Da/from REV.2-05/09 Del.178/08-15/10/08
7	305751062	MANIGLIA BLOCC. PIEDE STAZION.	<i>FIXING HANDLE PARKING STAND</i>	Da/from REV.1-02/07 Del.09/07-26/01/07 Fino a/up to REV.1-02/07 Del.178/08-15/10/08



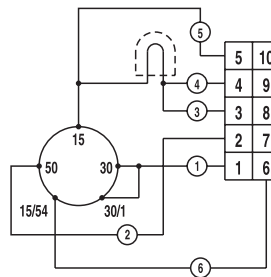
TCM 5



TCM 6



TCM 40



SCHEMA ELETTRICO
ELECTRICAL DIAGRAM
ELECTRIQUE SCHEMA
ELEKTRISCHES SCHEMA
ELECTRISCH GEDEELTE
ESQUEMA ELÉCTRICO

Pos.	Rev.	Cod.	Descr.	Descr.	Note
1		107509900	SCATOLA	CASE, BOTTOM HALF	
2		330109901	COPERCHIO PER SCATOLA TCM	TCM COVER	
3		102042740	CAPPUCCIO	CAP	
4		1302040	SPIA 12V	WARNING LIGHT 12V	
5		102013290	COMMUTATORE	COMMUTATOR	
6		107302460	STARTER A CHIAVE	STARTER KEY	
7		33010C060	GRUPPO CAVI TC	TC CABLE KIT	TCM5D-6
8		6062050	TAPPO	CAP	
9		33020C060	GR.CAVI TCM	TCM CABLE KIT	TCM22-40
10	A	101091830	PULSANTE DI STOP	BUTTON, STOP	TCM5
11	A	101091840	CAPPUCCIO	CAP	TCM5
12	A	93015C060	GRUPPO CAVI TCM	TCM CABLE KIT	TCM5
13	A	259107055	STARTER A CHIAVE	KEY STARTER	TCM5
14	A	307457055	INTERRUTT.ACCENSIONE A CHIAVE	STARTER SWITCH	TCM40
15	A	930159901	COPERCHIO PER SCATOLA TCM	TCM COVER	TCM5

MOSA

GRUPPI ELETTROGENI

MOTOSALDATRICI

WWW.MOSA.IT

MOSA div. della BCS S.p.A.
Stabilimento di Viale Europa, 59
20090 Cusago (MI) Italia

Tel. + 39 - 0290352.1
Fax + 39 - 0290390466



ISO 9001:2008 - Cert. 0192