

AGILE PLUS S4 1150X525

THE INNOVATIVE PALLET TRUCK (1.200 KG)



AGILE

The innovative motorized pallet truck that combines electric and manual function for convenient usability.

Compact, light, simple and easy to use, AGILE is the perfect pallet truck to minimize the operator effort, increasing efficiency and safety.

Ideal in deliveries, supermarket, and retail shop, it can be used by everyone.



AGILE PLUS

The AGILE PLUS is equipped with a Li-ION powerful BATTERY 36V 12,8Ah and the ON BOARD COMPUTER with OLED display that supplies operator several information and the possibility to regulate the maximum travelling speed from 3,2 to 5,3 Km/h, adapting thus the operator experience to the specific application.



DOUBLE TRACTION WHEEL

The first pallet truck with two traction/steering wheels in the market. The big diameter (200mm) and tread (160mm) provide great stability without the needs of stabilizers. Non-marking rubbers grant great traction and comfortable usage on all applications.



LI-ION BATTERY

Long life 36V battery easy to remove for charging and continuous operation with the spare battery.

Two types of charger available (bench and wall mounted) with standard and fast charging time.



HIGH SPEED

The two motorwheels grant high performances and make the AGILE the fastest of the category. The AC technology and the soft non-marking rubbers make the AGILE an extremely quiet unit.



ELECTRIC / MANUAL SWITCH

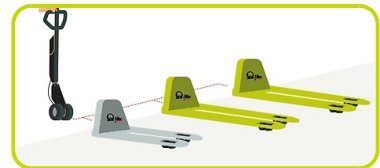
The AGILE is equipped with a MANUAL SWITCH that can be used in the eventual case of low battery: electro brakes are released and the small friction created makes the AGILE as reliable as a standard pallet truck.

On order to move the unit in narrow space AGILE is equipped with TURTLE SWITCH to allow for operation with the tiller in vertical position on reduced speed.



ALL FRAMES USE

Separate drive unit can be combined with frames of any size or metal (steel painted, galvanized, stainless steel) with a low impact cost and short delivery time. Please ask to your Pramac dealer for the combination requested.



LOW MAINTENANCE COST

Simple design with very few components and wiring enabling easy and fast maintenance.



ON-BOARD COMPUTER

Front OLED display with 6 selectable screens provides valuable info on truck activity and allows performance setup:

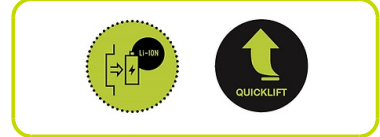
Pressing the central SCROLL button, operator can get information on:

- Battery status of charge (% of charge)
- Timers (total and partial in h)
- Odometer (total and partial in km)
- Speed setting (% of max speed)
- Diagnostic
- Error page



OPTIONS

- Quicklift hydraulic pump to lift the pallet in just two strokes
- Additional battery for continuous use
- Fast charging battery charger



Descrizione

1.1 Costruttore	PR INDUSTRIAL	
Sollevamento	Manuale	
1.3 Tipo di Propulsione	ELECTRIC	
1.4 Sistema di guida	Accompagnamento	
1.5 Portata	Q Kg	1200
1.6 Baricentro	c mm	600
1.8 Distanza asse ruote di carico da base forca	x mm	932
1.9 Passo	y mm	1192

Pesi

2.1 Massa in servizio con batteria	Kg	88
2.2 Carico asse posteriore (pieno carico)	Kg	891
2.2 Carico asse anteriore (pieno carico)	Kg	395
2.3 Carico asse anteriore (senza carico)	Kg	59
2.3 Carico asse posteriore (senza carico)	Kg	27

Telaio/Ruote

3.1 Gommatura, anteriore	GOMMA	
3.1 Gommatura Ruote Stabilizzatrici	POLY.I.	
3.1 Gommatura posteriore	NYLON	
3.2 Dimensione ruote anteriori - Larghezza	mm	40
3.2 Dimensione ruote anteriori - Diametro	mm	200
3.3 Dimensione ruote posteriori - Diametro	mm	82
3.3 Dimensione ruote posteriori - Larghezza	mm	60
3.5 Dimensioni ruote posteriori - Q.tà (x=motrice)	nr	4
3.5 Dimensioni ruote anteriori - Q.tà (x=motrice)	nr	2x
3.6 Carreggiata anteriore	b10 mm	162
3.7 Carreggiata posteriore	b11 mm	375

Dimensioni

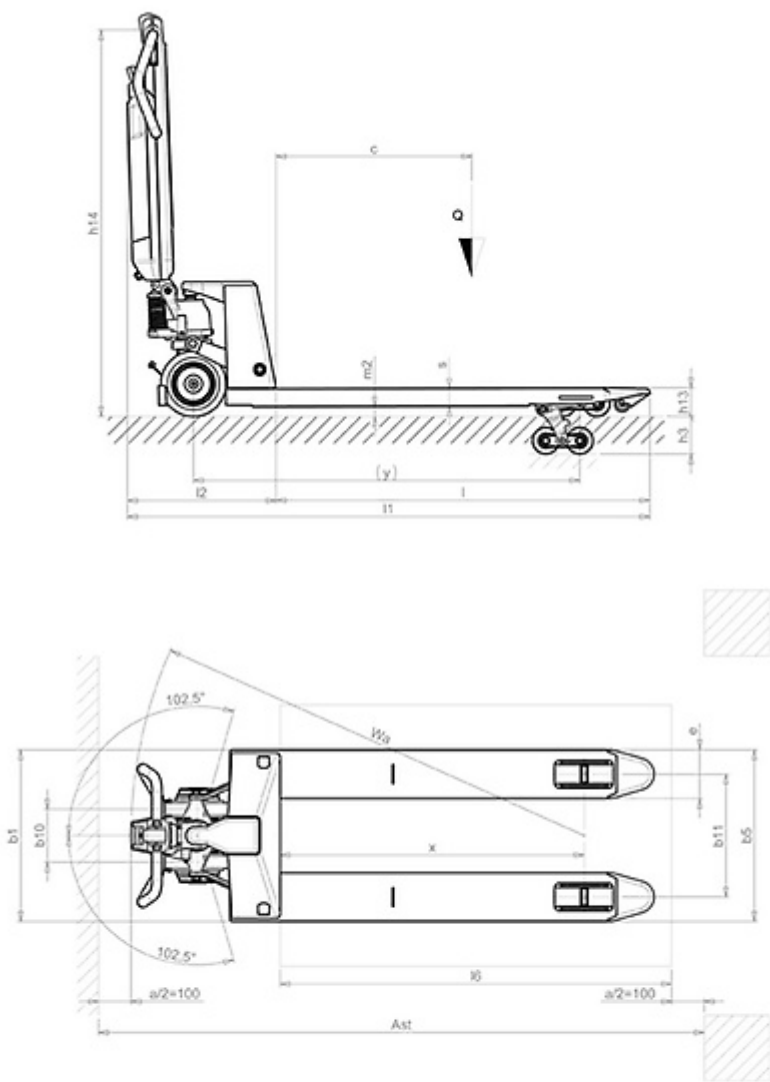
4.4 Altezza di sollevamento	h3 mm	115
4.9 Altezza del timone in posizione di guida max	h14 mm	1185
4.9 Height of tiller in drive position min	h14 mm	710
4.15 Altezza forche abbassate	h13 mm	85
4.19 Lunghezza totale	l1 mm	1600
4.20 Lunghezza unità motrice	l2 mm	450
4.21 Larghezza totale	b1 mm	525
4.22 Dimensioni forche - Spessore	s mm	55
4.22 Dimensioni forche - Larghezza	e mm	150
4.22 Lunghezza forche	l mm	1150
4.25 Larghezza forche	b5 mm	525
4.32 Luce libera a metà passo	m2 mm	30
4.34 Corridoio di stivaggio per pallet 800x1200 longitudinalmente	Ast mm	2063
4.35 Raggio di volta	Wa mm	1382

Prestazioni

5.1 Velocità di traslazione con carico	Km/h	4.2
5.1 Velocità di traslazione senza carico	Km/h	5.3
5.2 Velocità di sollevamento con carico	pompate	12
5.2 Velocità di sollevamento senza carico	pompate	12
5.3 Velocità di discesa con carico	m/s	0.1
5.3 Velocità di discesa senza carico	m/s	0.02
5.8 Pendenza superabile con carico	%	5
5.8 Pendenza superabile senza carico	%	10
5.10 Freno di servizio		Elettrico

Motori elettrici

6.1 Potenza motore di trazione	kW	2x0.25
Batteria	Tipo	Li-ion
6.4 Tensione batteria	V	36
6.4 Capacità nominale batteria, Min	Ah	12.8
6.4 Capacità nominale batteria, Max	Ah	12.8
6.5 Massa batteria min	Kg	3
6.5 Massa batteria max	Kg	3
8.4 Rumorosità all'orecchio dell'operatore	dB(A)	60



The information is aligned with the Data file at the time of download. Printed on 21/06/2019 (ID 10567)

©2019 | PR INDUSTRIAL s.r.l. | All rights reserved | Image shown may not reflect actual package. Specifications subject to change without notice

