

# GENERATING SET GE SX-7554 YDT

The images are for reference



## FEATURES

- Bundled base suitable to contain any liquids leakage from engine avoiding environmental pollution
- The rounded edges of the canopy designed for rainwater drainage away
- Engine cowling side, can be completely opened, which facilitates all maintenance operations
- Central lifting eye
- Digital engine and generator control module
- Isometer
- Emergency stop button
- Supersilenced
- Automatic voltage regulator
- Compliant with DGUV -I 203-032 regulation
- Meets EC directives for noise and safety



air cooled



diesel



three-phase



electric start

POWER RATINGS	
* Stand-By three-phase power (LTP)	6.5 kVA (5.2 kW) /400V/ 9.4A
* PRP three-phase power	5.7 kVA (4.6 kW) /400V/ 8.2A
* PRP single-phase power	3.5 kVA/kW /230V/ 15.2A
* COP single-phase power	/
Frequency	50 Hz
Cos φ	0.8

\* Powers declared according to ISO 8528

## DEFINITION

Valid declared powers up to the followings environmental conditions: temperature 25°C, altitude 100 meters above sea level)

**LTP power: stand-by power:** Maximum available power for use with variable loads for a yearly number of hours limited at 500 h. No overload is admitted.

**PRP power:** continue power with variable loads. Maximum power for use with variable loads for a yearly illimited nubers of hours.

**COP power:** continuous power with constant load. Maximum power for use with constant loads for a yearly unlimited numbers of hours.

## ENGINE 3000 RPM

4 STROKE, NATURAL ASPIRATED	
Model	YANMAR L 100 V
Stand-By net power	6.3 kWm (8.5 hp)
PRP net power	5.7 kWm (7.7 hp)
COP net power	/
Cylinders / Displacement	1 / 435 cm <sup>3</sup> (0,435 lt.)
Bore / Stroke	86 / 75 (mm)
Compression ratio	20 : 1
BMEP (Brake Mean Effective Pressure : LTP - PRP)	/
Speed governor type	Mechanical
<b>FUEL CONSUMPTION</b>	
110 % (Stand-by power)	1.9 lt./h
100 % to PRP	1.7 lt./h
75 % to PRP	1.2 lt./h
50 % to PRP	0.8 lt./h
<b>COOLING SYSTEM</b>	
Total system cap. - only engine	/
Fan air flow	/
<b>LUBRICATION SYSTEM</b>	
Total oil system capacity	/
Oil capacity in sump	1.6 lt.
Oil consumption at full load	/

<b>EXHAUST SYSTEM</b>	
Maximum exhaust gas flow	/
Max. exhaust gas temp.	/
Maximum back pressure	4.3 kPa (0.043 bar 440 mmH <sup>2</sup> O)
External diameter exhaust pipe	/
<b>ELECTRICAL SYSTEM</b>	
Starter motor power	0.8 kW
Battery charging alternator cap.	15 A
Cold start	- 10°C
With cold start aid	/
<b>AIR FILTER</b>	
Combustion air flow	/
<b>HEAT REJECTED AT FULL LOAD</b>	
To exhaust system	/
To water and oil	/
Radiated to room	/
To charge cooler	/



## ALTERNATOR

SYNCHRONOUS, THREE-PHASE, SELF-EXCITED, SELF-REGULATED	
Continuous power	9 kVA
Stand-by power	10 kVA
Three phase voltage	380 ÷ 415 Vac
Frequency	50 Hz
Cos φ	0.8
Model A.V.R.	Analogic
Voltage regulation acc.	± 1 %
Sustained short circuit current	3 In
Transient dip (100% load)	< 25 %
Recovery time	< 0.5 sec.
Efficiency at 100% load	/
Insulation	Class F/H
Connection - Terminals	Star - N°4
Electromagnetic compatibility (R.F.I. suppr.)	/
Waveform distorsion - THD	< 5 %
Telephone interference - THF	/

REACTANCES (9 KVA - 400V)	
Direct axis synchronuos - Xd	/
Direct axis transient - X'd	/
Subdirect axis transient - X''d	/
Quadrature axis synchronuos - Xq	/
Quadr. axis subtransient - X''q	/
Negative sequence - X2	/
Zero sequence - X0	/
TIME CONSTANTS	
Transient - T'd	/
Subtransient - T''d	/
Open circuit - T'do	/
Armature - Ta	/
Short-circuit ratio Kcc	/
IP protection degree	IP 54
Cooling air flow	/
Coupling   Bearing	Direct J609b - N°1

## GENERAL SPECIFICATIONS

Fuel tank capacity	23 lt.
Running time (75% to PRP)	19 h
Starter battery	12 Vdc -37Ah / 330A CCA(EN)
IP protection degree	IP 44

* Measured acoustic power LwA (pressure LpA)	91.6 dB(A) (66.6 dB(A) @ 7m)
* Guaranteed acoustic power LwA (pressure LpA)	93 dB(A) (68 dB(A) @ 7m)
Performance class	G2

\* Acoustic power in accordance with Directive 2000/14/EC



## AUTOMATIC CONTROL PANEL

- Controller InteliNano Plus
- Controller supply switch
- Battery charge warning light fault
- Emergency stop button
- TCM 35 remote control plug
- Isometre
- Circuit breaker
- ELCB-GFI (Ground Fault Interruptor) for 230V 16A sockets
- Output sockets : 1x400V 16A 3P+N+T IP67  
2x230V 16A 2P+T Schuko IP68
- Earth terminal (PE)

INTELINANO PLUS CONTROLLER CHARACTERISTICS	
Operating mode	<ul style="list-style-type: none"> <li>• MAN.- AUTO</li> </ul>
Display	<ul style="list-style-type: none"> <li>• Graphic back-light LCD display 128x64 pixels</li> </ul>
LEDs	<ul style="list-style-type: none"> <li>• Engine operation</li> <li>• AUTO operating mode</li> <li>• Alarm</li> </ul>
Buttons	<ul style="list-style-type: none"> <li>• START button</li> <li>• STOP button</li> <li>• AUTO button</li> <li>• N° 2 buttons for controller programming</li> </ul>
Generator Measures	<ul style="list-style-type: none"> <li>• Voltage : L1-L2</li> <li>• Current : I1</li> <li>• Powers : kVA</li> <li>• Frequency</li> </ul>
Engine Measures	<ul style="list-style-type: none"> <li>• Water temperature (optional)</li> <li>• Oil pressure (optional)</li> <li>• Fuel level</li> <li>• Rpm meter</li> <li>• Battery voltage</li> <li>• Maintenance</li> <li>• Hours meter</li> </ul>

Generator Protections	<ul style="list-style-type: none"> <li>• Short circuit</li> <li>• Over-Under-voltage</li> <li>• Over-Under-frequency</li> <li>• Phase sequence</li> </ul>
Engine Protections	<ul style="list-style-type: none"> <li>• Overspeed</li> <li>• High water temperature warning</li> <li>• Low oil pressure warning</li> <li>• Low fuel level warning</li> <li>• Under battery voltage</li> <li>• Battery charge alternator failure</li> <li>• Start failure</li> <li>• Stop failure</li> <li>• Emergency stop</li> </ul>
AMF functions (Automatic control panel only)	<ul style="list-style-type: none"> <li>• Measure mains voltage : L1-L2 / L2-L3 / L3-L1 - N-L1 / N-L2 / N-L3</li> <li>• Measure mains frequency</li> <li>• Three phase detection</li> <li>• Over-Under mains voltage</li> <li>• Over-Under mains frequency</li> <li>• Phase sequence</li> </ul>
Features	<ul style="list-style-type: none"> <li>• Event log and alarms (10 events)</li> <li>• Operator interface with icons, no text</li> <li>• Remote Start and Stop</li> <li>• Pre-heating</li> <li>• Fully programmable from the panel or from PC</li> <li>• Direct connection to engines with ECU via Can bus J1939</li> <li>• Manual operation (MRS) with remote start</li> <li>• IP65 protection</li> <li>• Operation temperature: -20°C / +70°C</li> </ul>
Communication	<ul style="list-style-type: none"> <li>• Setup USB port</li> <li>• CAN BUS interface (J1939 only)</li> </ul>



# WEIGHT - DIMENSIONS AND ACCESSORIES

GE SX-6500 YDT

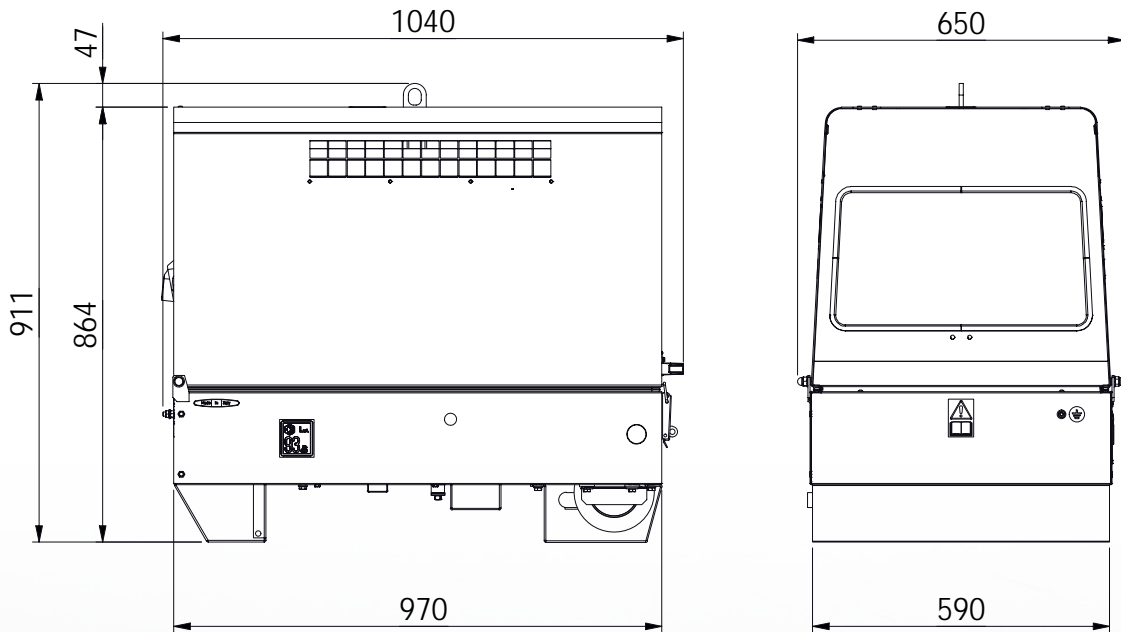


**DRY WEIGHT MACHINE:**  
• 221 Kg

Generating set pictured may include optional accessories.



**DIMENSIONS DRAW (mm)**



**OPTIONS ON REQUEST**

- Remote control TCM35
- Earthing kit
- Trolley CTM2
- Road trailer CTV4
- Exhaust extension

**VERSIONS ON REQUEST**

• /

**FACTORY INSTALLATION OPTIONS**

• /

## GENERAL INFORMATION

**COMPLIANCE GENERATING SETS WITH EC DIRECTIVES AND STANDARDS**

- 2006/42 / EC (Machines Directive)
- 2014/35 / EU (Low Voltage Directive)
- 2014/30 / EU (EMC Directive)
- 2000/14 / EC (Directive Acoustic Emission for machines for use outdoors)
- ISO 8528 (Reciprocating internal combustion engine driven alternating current generating sets)



ISO 9001:2008 - Cert. 0192

**WARRANTY**

All devices are covered by the manufacturer's warranty.

The company reserves the right to change this specification without notice. For further information please contact the sales department.

© MOSA - Viale Europa, 59 - 20090 Cusago (Milano) - Italy - phone +39-0290352.1 - fax + 39-0290390466 E-mail: info@mosa.it Web site: www.mosa.it

