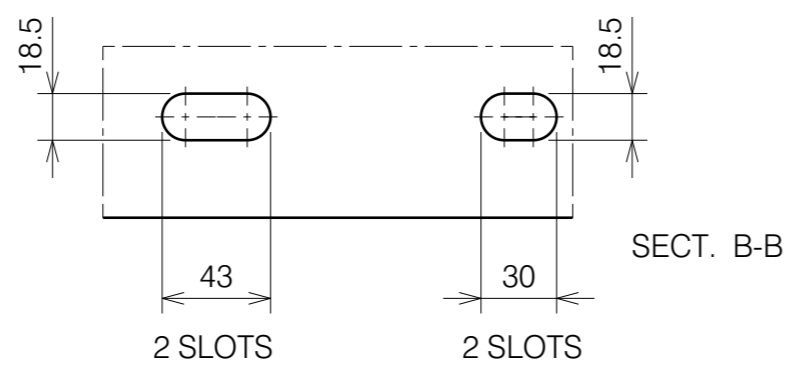


TYPE	DIMENSIONS		
	L	F	CG
XA 4			290
XB 4	708	325	300
SB 4			320
MA 4			312
MB 4	778	375	354
LA 4			395
LB 4	843		407



SUPPORT BEARINGS	PROTECTION DEGREE	TYPE OF CONSTRUCTION IM	DIMENSIONS
ROLLING	IP23	B34	mm

= FIRST ISSUE		D. Pegoraro	I. Graizzaro	G. Peruzzi	10/10/2019
REV	DESCRIPTION	PREP'D	CHK'D	APPR'D	DATE
ECO:	HEAT TREATMENT:	MAT:		IND. ENG. CHK'D:	
JOB:	SURFACE TREATMENT:	RAW MAT. CODE:			
<b>MarelliMotori</b> Inspired solutions		DIMENSIONS WITHOUT TOLERANCES PRECISION DEGREE: (TN F 3661)		DIMENSION: mm SCALE: 1:3	WEIGHT (kg): n/a
<b>OVERALL DIMENSIONS MXB-E 225</b> SYNCHRONOUS GENERATOR				<b>M22AD212C</b>	
This document is the property of Marelli Motori S.p.A. No part of this document may be copied or reproduced in any way. This information is subject to constant review. Measurements on printed drawing are not allowed, any missed dimension or information on the drawing must be pointed out to MarelliMotori.					SHEET: 1 OF: 1