

AQUA MATIC DP - SPECIFICATIONS

Performance

Rated Performance / Product Water Produced: +/-15% at 820 PSI / 56.5 bar, 77°F / 25°C & 35,000 PPM TDS typical sea water

PRODUCTION

* Production may vary +/-20% | GPD: Gallons per day • LPD: Liters per day | * Based on 60 psi (4Bar) Dock Water Pressure.

Model #	Fresh Water from sea water	Ultra Pure Water from sea water	Ultra Pure Water from dock water
A400C-1800GPD-1400GPD	1800 GPD 6814 LPD	1400 GPD 5300 LPD	1400 GPD 5300 LPD
A400C-2600GPD-2200GPD	2600 GPD 9842 LPD	2200 GPD 8328 LPD	2200 GPD 8328 LPD
A400C-3400GPD-2900GPD	3400 GPD 12870 LPD	2900 GPD 10978 LPD	2900 GPD 10978 LPD

Salt Rejection (Chloride Ion)

Minimum 99.2%, Average 99.4%

Product Water Temperature

Ambient to feed water temperature

Pressure Adjustment

Automatically controlled

Salinity Monitoring

Automatic electronic monitoring. Temperature compensated with the digital continuous readout. The salinity monitoring components of the system give a continuous TDS readout in ppm (parts per million), are temperature compensated, and of a fail safe design.

Salinity Range

Designed for seawater use up to 50,000 PPM TDS (NaCl) (typical seawater salinity is 35,000 ppm)

Temperature Range

Max. 122°F / 50°C, Min. 33°F / .5°C

System Feed Water

Flow: 4.5 gpm / 17 lpm (depending on system)

Reverse Osmosis Membrane

Selected High Rejection/High Yield aromatic tri-polyamid, thin film composite, spiral wound, single pass, high rejection reverse osmosis membrane element.

Chlorine Tolerance

0.1 PPM

pH Range

3-11 (typical seawater pH is 8)

System Pressure

Feed Water: Maximum 35 psi / 2.41 bar / 2.46 Kg/cm²

System Operation

Seawater nominal 820 psi / 56.5 bar / 57.66 Kg/cm²

Weight

Model Number	Weight
A400C-1800GPD-1400GPD	413 lbs / 187 kg
A400C-2600GPD-2200GPD	413 lbs / 187 kg
A400C-3400GPD-2900GPD	428 lbs / 194 kg

External Installation Water Connections

Pipe sizes to be supplied by the installer for connection of the SRC supplied components. The below pipe threads are all US Standard.

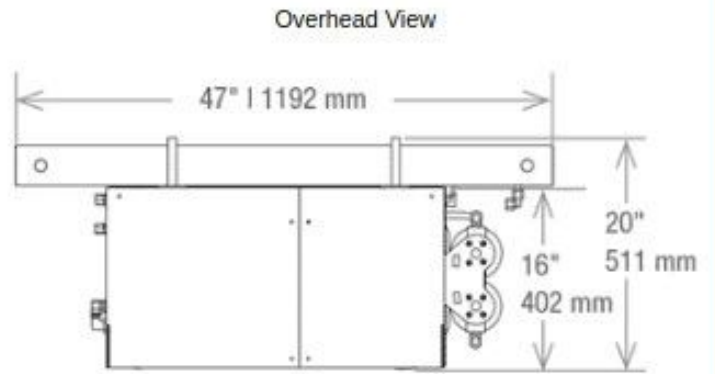
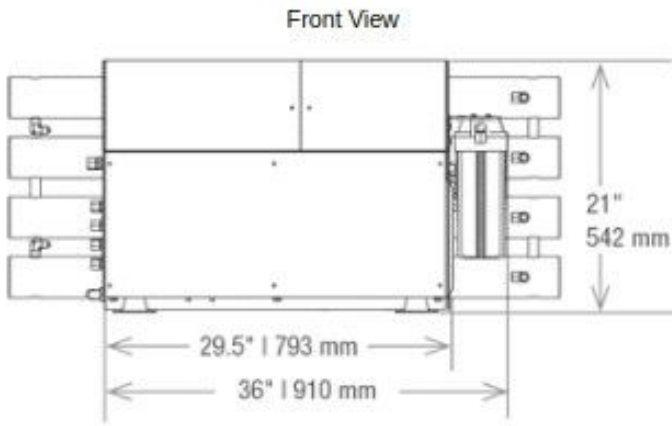
Feed Inlet: 3/4" FNPT Female National Pipe Thread
Brine Discharge: 3/4" FNPT Female National Pipe Thread
Product: 3/8" MNPT Male National Pipe Thread

Electrical Requirements (NOA = Normal Operating Amps; SUC = Start Up Current)

Pump Motor / HP	Voltage VAC	Hz	Phase	NOA	SUC
Booster 1.5/2	220/380//230/460	50//60	3	4.8/2.4//5/2.5	14/7.2//15/7.5
Booster 1.5/1	115/230	50//60	1	14.2/7.1//18.2/9.1	54

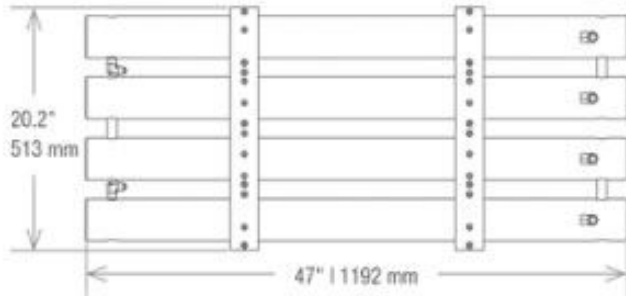
Model	Pump: Motor / HP	Voltage VAC	Hz	Phase	NOA	SUC	Circuit Breaker Amp
1800/1400	5	190/380//230/460	50/60	3	15.6/7.8//13.4/6.7	47/24//40/20	51/26/46/23
2600/2200-3400/2900	5//7.5	190/380//230/460	50/60	3	16.2/8.1//19/9.5	49/25//57/29	53/27//60/30
1800/1400	5	220/230	50/60	1	24/21.8	72/66	83/73

COMPACT CONFIGURATION

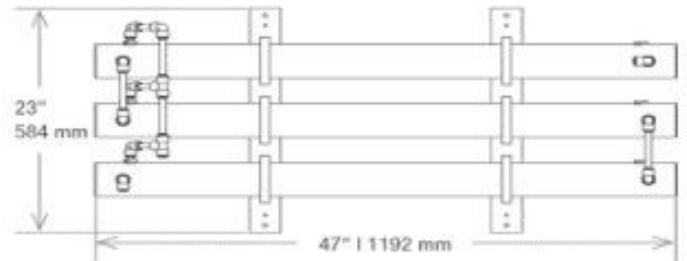


MEMBRANE ASSEMBLY

Membrane Assembly - Sea Water

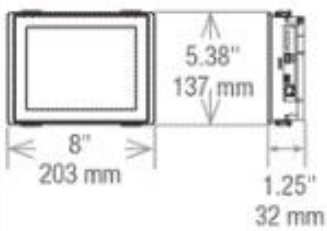


Membrane Assembly - Tap Water

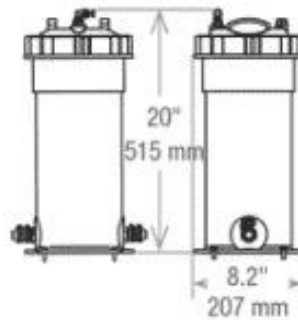


STANDARD COMPONENTS AND ACCESSORIES

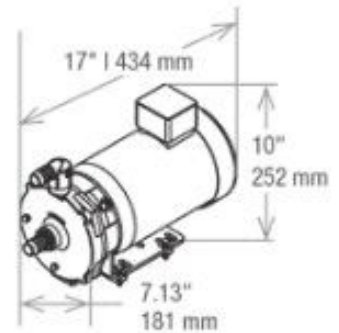
Touch Screen Controller



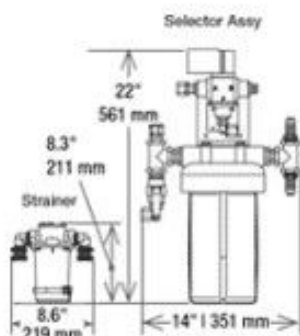
Prefilter Assembly



Booster Pump



Doc Water Feed



Sea Water/FWF Feed

